

# Is Parallel Programming Hard, And, If So, What Can You Do About It?

First Edition

Edited by:

Paul E. McKenney  
Linux Technology Center  
IBM Beaverton  
[paulmck@linux.vnet.ibm.com](mailto:paulmck@linux.vnet.ibm.com)

March 10, 2014

## Legal Statement

This work represents the views of the editor and the authors and does not necessarily represent the view of their respective employers.

Trademarks:

- IBM, zSeries, and PowerPC are trademarks or registered trademarks of International Business Machines Corporation in the United States, other countries, or both.
- Linux is a registered trademark of Linus Torvalds.
- i386 is a trademark of Intel Corporation or its subsidiaries in the United States, other countries, or both.
- Other company, product, and service names may be trademarks or service marks of such companies.

The non-source-code text and images in this document are provided under the terms of the Creative Commons Attribution-Share Alike 3.0 United States license.<sup>1</sup> In brief, you may use the contents of this document for any purpose, personal, commercial, or otherwise, so long as attribution to the authors is maintained. Likewise, the document may be modified, and derivative works and translations made available, so long as such modifications and derivations are offered to the public on equal terms as the non-source-code text and images in the original document.

Source code is covered by various versions of the GPL.<sup>2</sup> Some of this code is GPLv2-only, as it derives from the Linux kernel, while other code is GPLv2-or-later. See the comment headers of the individual source files within the CodeSamples directory in the git archive<sup>3</sup> for the exact licenses. If you are unsure of the license for a given code fragment, you should assume GPLv2-only.

Combined work © 2005-2014 by Paul E. McKenney.

---

<sup>1</sup> <http://creativecommons.org/licenses/by-sa/3.0/us/>

<sup>2</sup> <http://www.gnu.org/licenses/gpl-2.0.html>

<sup>3</sup> [git://git.kernel.org/pub/scm/linux/kernel/git/paulmck/perfbook.git](http://git.kernel.org/pub/scm/linux/kernel/git/paulmck/perfbook.git)

# Contents

<b>1</b>	<b>How To Use This Book</b>	<b>1</b>
1.1	Roadmap . . . . .	1
1.2	Quick Quizzes . . . . .	2
1.3	Alternatives to This Book . . . . .	3
1.4	Sample Source Code . . . . .	4
1.5	Whose Book Is This? . . . . .	5
<b>2</b>	<b>Introduction</b>	<b>7</b>
2.1	Historic Parallel Programming Difficulties . . . . .	7
2.2	Parallel Programming Goals . . . . .	9
2.2.1	Performance . . . . .	9
2.2.2	Productivity . . . . .	10
2.2.3	Generality . . . . .	12
2.3	Alternatives to Parallel Programming . . . . .	14
2.3.1	Multiple Instances of a Sequential Application . . . . .	14
2.3.2	Use Existing Parallel Software . . . . .	15
2.3.3	Performance Optimization . . . . .	15
2.4	What Makes Parallel Programming Hard? . . . . .	16
2.4.1	Work Partitioning . . . . .	17
2.4.2	Parallel Access Control . . . . .	17
2.4.3	Resource Partitioning and Replication . . . . .	18
2.4.4	Interacting With Hardware . . . . .	18
2.4.5	Composite Capabilities . . . . .	18
2.4.6	How Do Languages and Environments Assist With These Tasks? . . . . .	19
2.5	Discussion . . . . .	19
<b>3</b>	<b>Hardware and its Habits</b>	<b>21</b>
3.1	Overview . . . . .	21
3.1.1	Pipelined CPUs . . . . .	21
3.1.2	Memory References . . . . .	23
3.1.3	Atomic Operations . . . . .	24
3.1.4	Memory Barriers . . . . .	24
3.1.5	Cache Misses . . . . .	25
3.1.6	I/O Operations . . . . .	25
3.2	Overheads . . . . .	26
3.2.1	Hardware System Architecture . . . . .	26
3.2.2	Costs of Operations . . . . .	28
3.3	Hardware Free Lunch? . . . . .	30

3.3.1	3D Integration . . . . .	31
3.3.2	Novel Materials and Processes . . . . .	32
3.3.3	Light, Not Electrons . . . . .	32
3.3.4	Special-Purpose Accelerators . . . . .	32
3.3.5	Existing Parallel Software . . . . .	33
3.4	Software Design Implications . . . . .	33
<b>4</b>	<b>Tools of the Trade</b>	<b>35</b>
4.1	Scripting Languages . . . . .	35
4.2	POSIX Multiprocessing . . . . .	36
4.2.1	POSIX Process Creation and Destruction . . . . .	36
4.2.2	POSIX Thread Creation and Destruction . . . . .	38
4.2.3	POSIX Locking . . . . .	39
4.2.4	POSIX Reader-Writer Locking . . . . .	42
4.3	Atomic Operations . . . . .	45
4.4	Linux-Kernel Equivalents to POSIX Operations . . . . .	46
4.5	The Right Tool for the Job: How to Choose? . . . . .	48
<b>5</b>	<b>Counting</b>	<b>49</b>
5.1	Why Isn't Concurrent Counting Trivial? . . . . .	50
5.2	Statistical Counters . . . . .	52
5.2.1	Design . . . . .	53
5.2.2	Array-Based Implementation . . . . .	53
5.2.3	Eventually Consistent Implementation . . . . .	54
5.2.4	Per-Thread-Variable-Based Implementation . . . . .	56
5.2.5	Discussion . . . . .	58
5.3	Approximate Limit Counters . . . . .	58
5.3.1	Design . . . . .	59
5.3.2	Simple Limit Counter Implementation . . . . .	60
5.3.3	Simple Limit Counter Discussion . . . . .	66
5.3.4	Approximate Limit Counter Implementation . . . . .	67
5.3.5	Approximate Limit Counter Discussion . . . . .	67
5.4	Exact Limit Counters . . . . .	67
5.4.1	Atomic Limit Counter Implementation . . . . .	68
5.4.2	Atomic Limit Counter Discussion . . . . .	72
5.4.3	Signal-Theft Limit Counter Design . . . . .	74
5.4.4	Signal-Theft Limit Counter Implementation . . . . .	75
5.4.5	Signal-Theft Limit Counter Discussion . . . . .	79
5.5	Applying Specialized Parallel Counters . . . . .	79
5.6	Parallel Counting Discussion . . . . .	82
<b>6</b>	<b>Partitioning and Synchronization Design</b>	<b>85</b>
6.1	Partitioning Exercises . . . . .	85
6.1.1	Dining Philosophers Problem . . . . .	85
6.1.2	Double-Ended Queue . . . . .	89
6.1.3	Partitioning Example Discussion . . . . .	97
6.2	Design Criteria . . . . .	97
6.3	Synchronization Granularity . . . . .	100
6.3.1	Sequential Program . . . . .	100
6.3.2	Code Locking . . . . .	102

6.3.3	Data Locking . . . . .	103
6.3.4	Data Ownership . . . . .	104
6.3.5	Locking Granularity and Performance . . . . .	107
6.4	Parallel Fastpath . . . . .	110
6.4.1	Reader/Writer Locking . . . . .	110
6.4.2	Hierarchical Locking . . . . .	111
6.4.3	Resource Allocator Caches . . . . .	111
6.5	Beyond Partitioning . . . . .	118
6.5.1	Work-Queue Parallel Maze Solver . . . . .	118
6.5.2	Alternative Parallel Maze Solver . . . . .	120
6.5.3	Performance Comparison I . . . . .	123
6.5.4	Alternative Sequential Maze Solver . . . . .	125
6.5.5	Performance Comparison II . . . . .	126
6.5.6	Future Directions and Conclusions . . . . .	127
6.6	Partitioning, Parallelism, and Optimization . . . . .	128
<b>7</b>	<b>Locking</b>	<b>129</b>
7.1	Staying Alive . . . . .	130
7.1.1	Deadlock . . . . .	130
7.1.2	Livelock and Starvation . . . . .	139
7.1.3	Unfairness . . . . .	141
7.1.4	Inefficiency . . . . .	141
7.2	Types of Locks . . . . .	142
7.2.1	Exclusive Locks . . . . .	142
7.2.2	Reader-Writer Locks . . . . .	142
7.2.3	Beyond Reader-Writer Locks . . . . .	142
7.2.4	Scoped Locking . . . . .	144
7.3	Locking Implementation Issues . . . . .	146
7.3.1	Sample Exclusive-Locking Implementation Based on Atomic Exchange . . . . .	146
7.3.2	Other Exclusive-Locking Implementations . . . . .	147
7.4	Lock-Based Existence Guarantees . . . . .	149
7.5	Locking: Hero or Villain? . . . . .	151
7.5.1	Locking For Applications: Hero! . . . . .	151
7.5.2	Locking For Parallel Libraries: Just Another Tool . . . . .	151
7.5.3	Locking For Parallelizing Sequential Libraries: Villain! . . . . .	155
7.6	Summary . . . . .	157
<b>8</b>	<b>Data Ownership</b>	<b>159</b>
8.1	Multiple Processes . . . . .	159
8.2	Partial Data Ownership and pthreads . . . . .	160
8.3	Function Shipping . . . . .	160
8.4	Designated Thread . . . . .	160
8.5	Privatization . . . . .	161
8.6	Other Uses of Data Ownership . . . . .	161

<b>9</b>	<b>Deferred Processing</b>	<b>163</b>
9.1	Reference Counting . . . . .	163
9.1.1	Implementation of Reference-Counting Categories . . . . .	164
9.1.2	Hazard Pointers . . . . .	169
9.1.3	Linux Primitives Supporting Reference Counting . . . . .	170
9.1.4	Counter Optimizations . . . . .	172
9.2	Sequence Locks . . . . .	172
9.3	Read-Copy Update (RCU) . . . . .	175
9.3.1	Introduction to RCU . . . . .	175
9.3.2	RCU Fundamentals . . . . .	179
9.3.3	RCU Usage . . . . .	189
9.3.4	RCU Linux-Kernel API . . . . .	202
9.3.5	“Toy” RCU Implementations . . . . .	208
9.3.6	RCU Exercises . . . . .	228
9.4	Which to Choose? . . . . .	228
9.5	What About Updates? . . . . .	230
<b>10</b>	<b>Data Structures</b>	<b>233</b>
10.1	Motivating Application . . . . .	233
10.2	Partitionable Data Structures . . . . .	234
10.2.1	Hash-Table Design . . . . .	234
10.2.2	Hash-Table Implementation . . . . .	234
10.2.3	Hash-Table Performance . . . . .	237
10.3	Read-Mostly Data Structures . . . . .	239
10.3.1	RCU-Protected Hash Table Implementation . . . . .	239
10.3.2	RCU-Protected Hash Table Performance . . . . .	241
10.3.3	RCU-Protected Hash Table Discussion . . . . .	244
10.4	Non-Partitionable Data Structures . . . . .	245
10.4.1	Resizable Hash Table Design . . . . .	245
10.4.2	Resizable Hash Table Implementation . . . . .	247
10.4.3	Resizable Hash Table Discussion . . . . .	254
10.4.4	Other Resizable Hash Tables . . . . .	256
10.5	Other Data Structures . . . . .	259
10.6	Micro-Optimization . . . . .	260
10.6.1	Specialization . . . . .	260
10.6.2	Bits and Bytes . . . . .	260
10.6.3	Hardware Considerations . . . . .	261
10.7	Summary . . . . .	263
<b>11</b>	<b>Validation</b>	<b>265</b>
11.1	Introduction . . . . .	265
11.1.1	Where Do Bugs Come From? . . . . .	266
11.1.2	Required Mindset . . . . .	267
11.1.3	When Should Validation Start? . . . . .	269
11.1.4	The Open Source Way . . . . .	270
11.2	Tracing . . . . .	271
11.3	Assertions . . . . .	271
11.4	Static Analysis . . . . .	272
11.5	Code Review . . . . .	273
11.5.1	Inspection . . . . .	273

11.5.2	Walkthroughs . . . . .	273
11.5.3	Self-Inspection . . . . .	274
11.6	Probability and Heisenbugs . . . . .	276
11.6.1	Statistics for Discrete Testing . . . . .	277
11.6.2	Abusing Statistics for Discrete Testing . . . . .	279
11.6.3	Statistics for Continuous Testing . . . . .	279
11.6.4	Hunting Heisenbugs . . . . .	283
11.7	Performance Estimation . . . . .	285
11.7.1	Benchmarking . . . . .	285
11.7.2	Profiling . . . . .	286
11.7.3	Differential Profiling . . . . .	286
11.7.4	Microbenchmarking . . . . .	287
11.7.5	Isolation . . . . .	287
11.7.6	Detecting Interference . . . . .	289
11.8	Summary . . . . .	291
<b>12</b>	<b>Formal Verification</b>	<b>295</b>
12.1	What are Promela and Spin? . . . . .	295
12.2	Promela Example: Non-Atomic Increment . . . . .	296
12.3	Promela Example: Atomic Increment . . . . .	298
12.3.1	Combinatorial Explosion . . . . .	300
12.4	How to Use Promela . . . . .	300
12.4.1	Promela Peculiarities . . . . .	301
12.4.2	Promela Coding Tricks . . . . .	302
12.5	Promela Example: Locking . . . . .	303
12.6	Promela Example: QRCU . . . . .	305
12.6.1	Running the QRCU Example . . . . .	308
12.6.2	How Many Readers and Updaters Are Really Needed? . . . . .	311
12.6.3	Alternative Approach: Proof of Correctness . . . . .	311
12.6.4	Alternative Approach: More Capable Tools . . . . .	312
12.6.5	Alternative Approach: Divide and Conquer . . . . .	312
12.7	Promela Parable: dynticks and Preemptible RCU . . . . .	312
12.7.1	Introduction to Preemptible RCU and dynticks . . . . .	313
12.7.2	Validating Preemptible RCU and dynticks . . . . .	317
12.7.3	Lessons (Re)Learned . . . . .	332
12.8	Simplicity Avoids Formal Verification . . . . .	332
12.8.1	State Variables for Simplified Dynticks Interface . . . . .	333
12.8.2	Entering and Leaving Dynticks-Idle Mode . . . . .	334
12.8.3	NMIs From Dynticks-Idle Mode . . . . .	334
12.8.4	Interrupts From Dynticks-Idle Mode . . . . .	335
12.8.5	Checking For Dynticks Quiescent States . . . . .	335
12.8.6	Discussion . . . . .	337
12.9	Formal Verification and Memory Ordering . . . . .	338
12.9.1	Anatomy of a Litmus Test . . . . .	338
12.9.2	What Does This Litmus Test Mean? . . . . .	339
12.9.3	Running a Litmus Test . . . . .	340
12.9.4	CPPMEM Discussion . . . . .	341
12.10	Summary . . . . .	342

<b>13 Putting It All Together</b>	<b>343</b>
13.1 Counter Conundrums	343
13.1.1 Counting Updates	343
13.1.2 Counting Lookups	343
13.2 RCU Rescues	344
13.2.1 RCU and Per-Thread-Variable-Based Statistical Counters	344
13.2.2 RCU and Counters for Removable I/O Devices	347
13.2.3 Array and Length	347
13.2.4 Correlated Fields	349
13.3 Hashing Hassles	350
13.3.1 Correlated Data Elements	350
13.3.2 Update-Friendly Hash-Table Traversal	350
<b>14 Advanced Synchronization</b>	<b>353</b>
14.1 Avoiding Locks	353
14.2 Memory Barriers	353
14.2.1 Memory Ordering and Memory Barriers	354
14.2.2 If B Follows A, and C Follows B, Why Doesn't C Follow A?	355
14.2.3 Variables Can Have More Than One Value	356
14.2.4 What Can You Trust?	358
14.2.5 Review of Locking Implementations	363
14.2.6 A Few Simple Rules	364
14.2.7 Abstract Memory Access Model	365
14.2.8 Device Operations	366
14.2.9 Guarantees	366
14.2.10 What Are Memory Barriers?	368
14.2.11 Locking Constraints	378
14.2.12 Memory-Barrier Examples	379
14.2.13 The Effects of the CPU Cache	381
14.2.14 Where Are Memory Barriers Needed?	383
14.3 Non-Blocking Synchronization	383
14.3.1 Simple NBS	384
14.3.2 NBS Discussion	385
<b>15 Ease of Use</b>	<b>387</b>
15.1 What is Easy?	387
15.2 Rusty Scale for API Design	387
15.3 Shaving the Mandelbrot Set	389
<b>16 Conflicting Visions of the Future</b>	<b>393</b>
16.1 The Future of CPU Technology Ain't What it Used to Be	393
16.1.1 Uniprocessor Über Alles	393
16.1.2 Multithreaded Mania	394
16.1.3 More of the Same	395
16.1.4 Crash Dummies Slamming into the Memory Wall	396
16.2 Transactional Memory	397
16.2.1 Outside World	399
16.2.2 Process Modification	403
16.2.3 Synchronization	408
16.2.4 Discussion	412



16.3	Hardware Transactional Memory . . . . .	414
16.3.1	HTM Benefits WRT to Locking . . . . .	415
16.3.2	HTM Weaknesses WRT Locking . . . . .	417
16.3.3	HTM Weaknesses WRT to Locking When Augmented . . . . .	423
16.3.4	Where Does HTM Best Fit In? . . . . .	426
16.3.5	Potential Game Changers . . . . .	427
16.3.6	Conclusions . . . . .	429
16.4	Functional Programming for Parallelism . . . . .	430
<b>A</b>	<b>Important Questions</b>	<b>433</b>
A.1	What Does “After” Mean? . . . . .	433
A.2	What Time Is It? . . . . .	436
<b>B</b>	<b>Synchronization Primitives</b>	<b>439</b>
B.1	Organization and Initialization . . . . .	440
B.1.1	smp_init(): . . . . .	440
B.2	Thread Creation, Destruction, and Control . . . . .	440
B.2.1	create_thread() . . . . .	440
B.2.2	smp_thread_id() . . . . .	440
B.2.3	for_each_thread() . . . . .	441
B.2.4	for_each_running_thread() . . . . .	441
B.2.5	wait_thread() . . . . .	441
B.2.6	wait_all_threads() . . . . .	441
B.2.7	Example Usage . . . . .	441
B.3	Locking . . . . .	442
B.3.1	spin_lock_init() . . . . .	442
B.3.2	spin_lock() . . . . .	442
B.3.3	spin_trylock() . . . . .	442
B.3.4	spin_unlock() . . . . .	443
B.3.5	Example Usage . . . . .	443
B.4	Per-Thread Variables . . . . .	443
B.4.1	DEFINE_PER_THREAD() . . . . .	443
B.4.2	DECLARE_PER_THREAD() . . . . .	443
B.4.3	per_thread() . . . . .	443
B.4.4	__get_thread_var() . . . . .	444
B.4.5	init_per_thread() . . . . .	444
B.4.6	Usage Example . . . . .	444
B.5	Performance . . . . .	444
<b>C</b>	<b>Why Memory Barriers?</b>	<b>445</b>
C.1	Cache Structure . . . . .	445
C.2	Cache-Coherence Protocols . . . . .	447
C.2.1	MESI States . . . . .	448
C.2.2	MESI Protocol Messages . . . . .	448
C.2.3	MESI State Diagram . . . . .	449
C.2.4	MESI Protocol Example . . . . .	451
C.3	Stores Result in Unnecessary Stalls . . . . .	451
C.3.1	Store Buffers . . . . .	452
C.3.2	Store Forwarding . . . . .	453
C.3.3	Store Buffers and Memory Barriers . . . . .	455

C.4	Store Sequences Result in Unnecessary Stalls . . . . .	457
C.4.1	Invalidate Queues . . . . .	458
C.4.2	Invalidate Queues and Invalidate Acknowledge . . . . .	458
C.4.3	Invalidate Queues and Memory Barriers . . . . .	459
C.5	Read and Write Memory Barriers . . . . .	461
C.6	Example Memory-Barrier Sequences . . . . .	462
C.6.1	Ordering-Hostile Architecture . . . . .	462
C.6.2	Example 1 . . . . .	463
C.6.3	Example 2 . . . . .	464
C.6.4	Example 3 . . . . .	464
C.7	Memory-Barrier Instructions For Specific CPUs . . . . .	465
C.7.1	Alpha . . . . .	467
C.7.2	AMD64 . . . . .	469
C.7.3	ARMv7-A/R . . . . .	469
C.7.4	IA64 . . . . .	471
C.7.5	PA-RISC . . . . .	472
C.7.6	POWER / PowerPC . . . . .	472
C.7.7	SPARC RMO, PSO, and TSO . . . . .	473
C.7.8	x86 . . . . .	474
C.7.9	zSeries . . . . .	475
C.8	Are Memory Barriers Forever? . . . . .	475
C.9	Advice to Hardware Designers . . . . .	476
<b>D</b>	<b>Read-Copy Update Implementations</b>	<b>479</b>
D.1	Sleepable RCU Implementation . . . . .	479
D.1.1	SRCU Implementation Strategy . . . . .	480
D.1.2	SRCU API and Usage . . . . .	481
D.1.3	Implementation . . . . .	484
D.1.4	SRCU Summary . . . . .	488
D.2	Hierarchical RCU Overview . . . . .	488
D.2.1	Review of RCU Fundamentals . . . . .	489
D.2.2	Brief Overview of Classic RCU Implementation . . . . .	489
D.2.3	RCU Desiderata . . . . .	490
D.2.4	Towards a More Scalable RCU Implementation . . . . .	491
D.2.5	Towards a Greener RCU Implementation . . . . .	494
D.2.6	State Machine . . . . .	495
D.2.7	Use Cases . . . . .	498
D.2.8	Testing . . . . .	502
D.2.9	Conclusion . . . . .	506
D.3	Hierarchical RCU Code Walkthrough . . . . .	507
D.3.1	Data Structures and Kernel Parameters . . . . .	507
D.3.2	External Interfaces . . . . .	516
D.3.3	Initialization . . . . .	522
D.3.4	CPU Hotplug . . . . .	527
D.3.5	Miscellaneous Functions . . . . .	532
D.3.6	Grace-Period-Detection Functions . . . . .	533
D.3.7	Dyntick-Idle Functions . . . . .	543
D.3.8	Forcing Quiescent States . . . . .	547
D.3.9	CPU-Stall Detection . . . . .	554
D.3.10	Possible Flaws and Changes . . . . .	555

D.4	Preemptible RCU . . . . .	557
D.4.1	Conceptual RCU . . . . .	557
D.4.2	Overview of Preemptible RCU Algorithm . . . . .	559
D.4.3	Validation of Preemptible RCU . . . . .	573
<b>E</b>	<b>Read-Copy Update in Linux</b> . . . . .	<b>577</b>
E.1	RCU Usage Within Linux . . . . .	577
E.2	RCU Evolution . . . . .	577
E.2.1	2.6.27 Linux Kernel . . . . .	577
E.2.2	2.6.28 Linux Kernel . . . . .	577
E.2.3	2.6.29 Linux Kernel . . . . .	579
E.2.4	2.6.31 Linux Kernel . . . . .	580
E.2.5	2.6.32 Linux Kernel . . . . .	580
E.2.6	2.6.33 Linux Kernel . . . . .	580
E.2.7	2.6.34 Linux Kernel . . . . .	581
E.2.8	2.6.35 Linux Kernel . . . . .	581
E.2.9	2.6.36 Linux Kernel . . . . .	581
E.2.10	2.6.37 Linux Kernel . . . . .	581
E.2.11	2.6.38 Linux Kernel . . . . .	582
E.2.12	2.6.39 Linux Kernel . . . . .	582
E.2.13	3.0 Linux Kernel . . . . .	582
E.2.14	3.1 Linux Kernel . . . . .	583
E.2.15	3.2 Linux Kernel . . . . .	583
E.2.16	3.3 Linux Kernel . . . . .	583
E.2.17	3.4 Linux Kernel . . . . .	584
E.2.18	3.5 Linux Kernel . . . . .	584
E.2.19	3.6 Linux Kernel . . . . .	584
E.2.20	3.7 Linux Kernel . . . . .	585
E.2.21	3.8 Linux Kernel . . . . .	585
E.2.22	3.9 Linux Kernel . . . . .	585
E.2.23	3.10 Linux Kernel . . . . .	585
E.2.24	3.11 Linux Kernel . . . . .	586
E.2.25	3.12 Linux Kernel . . . . .	586
E.2.26	3.13 Linux Kernel . . . . .	586
<b>F</b>	<b>Answers to Quick Quizzes</b> . . . . .	<b>589</b>
F.1	How To Use This Book . . . . .	589
F.2	Introduction . . . . .	590
F.3	Hardware and its Habits . . . . .	596
F.4	Tools of the Trade . . . . .	600
F.5	Counting . . . . .	607
F.6	Partitioning and Synchronization Design . . . . .	627
F.7	Locking . . . . .	633
F.8	Data Ownership . . . . .	643
F.9	Deferred Processing . . . . .	645
F.10	Data Structures . . . . .	671
F.11	Validation . . . . .	675
F.12	Formal Verification . . . . .	683
F.13	Putting It All Together . . . . .	689
F.14	Advanced Synchronization . . . . .	692

F.15	Ease of Use . . . . .	696
F.16	Conflicting Visions of the Future . . . . .	697
F.17	Important Questions . . . . .	701
F.18	Synchronization Primitives . . . . .	701
F.19	Why Memory Barriers? . . . . .	702
F.20	Read-Copy Update Implementations . . . . .	707
<b>G</b>	<b>Glossary and Bibliography</b>	<b>727</b>
<b>H</b>	<b>Credits</b>	<b>761</b>
H.1	Authors . . . . .	761
H.2	Reviewers . . . . .	761
H.3	Machine Owners . . . . .	762
H.4	Original Publications . . . . .	763
H.5	Figure Credits . . . . .	763
H.6	Other Support . . . . .	765

# Chapter 1

## How To Use This Book

The purpose of this book is to help you understand how to program shared-memory parallel machines without risking your sanity.<sup>1</sup> By describing the algorithms and designs that have worked well in the past, we hope to help you avoid at least some of the pitfalls that have beset parallel-programming projects. But you should think of this book as a foundation on which to build, rather than as a completed cathedral. Your mission, if you choose to accept, is to help make further progress in the exciting field of parallel programming—progress that should in time render this book obsolete. Parallel programming is not as hard as some say, and we hope that this book makes your parallel-programming projects easier and more fun.

In short, where parallel programming once focused on science, research, and grand-challenge projects, it is quickly becoming an engineering discipline. We therefore examine the specific tasks required for parallel programming and describe how they may be most effectively handled. In some surprisingly common special cases, they can even be automated.

This book is written in the hope that presenting the engineering discipline underlying successful parallel-programming projects will free a new generation of parallel hackers from the need to slowly and painstakingly reinvent old wheels, enabling them to instead focus their energy and creativity on new frontiers. We sincerely hope that parallel programming brings you at least as much fun, excitement, and challenge that it has brought to us!

### 1.1 Roadmap

This book is not a collection of optimal algorithms with tiny areas of applicability; instead, it is a handbook of widely applicable and heavily used design techniques. Of course, we could not resist the urge to include some of our favorites that have not (yet!) passed the test of time (what author could?), but we have nonetheless gritted our teeth and banished our darlings to appendices. Perhaps in time, some of them will see enough use that we can promote them into the main body of the text.

You are currently reading Chapter 1, but you knew that already. Chapter 2 gives a high-level overview of parallel programming.

---

<sup>1</sup> Or, perhaps more accurately, without much greater risk to your sanity than that incurred by non-parallel programming. Which, come to think of it, might not be saying all that much.

Chapter 3 introduces shared-memory parallel hardware. The reason for this is that it is really hard to write good parallel software without at least some understanding of the hardware that it runs on. Because hardware is constantly evolving, this chapter will always be out of date, but we will do our best to keep up. Chapter 4 then provides a very brief overview of common shared-memory parallel-programming primitives.

Chapter 5 takes an in-depth look at parallelizing one of the simplest possible problems imaginable, namely that of counting. Because almost everyone has an excellent grasp of counting, this chapter is able to delve into many important parallel-programming issues without the distractions of more-typical computer-science problems. My impression is that this is the chapter has seen the greatest use in parallel-programming coursework.

Chapter 6 introduces a number of design-level methods of addressing the issues identified in Chapter 5. It turns out that it is important to address parallelism at the design level when feasible: To paraphrase Dijkstra [Dij68], “retrofitted parallelism considered grossly suboptimal” [McK12c].

The next three chapters look at how different synchronization approaches can be brought to bear. Chapter 7 covers locking, which in 2014 is not only the workhorse of production-quality parallel programming, but is also widely considered to be parallel programming’s worst villain. Chapter 8 gives a brief overview of data ownership, an often overlooked but remarkably pervasive and powerful approach. Finally, Chapter 9 introduces a number of deferred-processing mechanisms, including reference counting, hazard pointers, sequence locking, and RCU.

Chapter 10 applies the lessons of previous chapters to hash tables, which are heavily used due to their excellent partitionability.

As many have learned to their sorrow, parallel programming without validation is a sure path to abject failure. Chapter 11 covers various forms of testing. It is of course impossible to test reliability into your program after the fact, so Chapter 12 follows up with a brief overview of a couple of practical approaches to formal verification.

Chapter 13 contains a series of moderate-sized parallel programming problems. The difficulty of these problems vary, but should be appropriate for someone who has mastered the material in the previous chapters.

Chapter 14 looks at advanced synchronization methods, including memory barriers and non-blocking synchronization. Chapter 15 follows up with some ease-of-use advice. Finally, Chapter 16 looks at a few possible future directions, including shared-memory parallel system design, software and hardware transactional memory, and functional programming for parallelism.

This chapter is followed by a number of appendices. The most popular of these appears to be Appendix C, which covers memory barriers. Appendix F contains the answers to the infamous Quick Quizzes, which are discussed in the next section.

## 1.2 Quick Quizzes

“Quick quizzes” appear throughout this book, and the answers may be found in Appendix F starting on page 589. Some of them are based on material in which that quick quiz appears, but others require you to think beyond that section, and, in some cases, beyond the realm of current knowledge. As with most endeavors, what you get out of this book is largely determined by what you are willing to put into it. Therefore, readers who make a genuine effort to solve a quiz before looking at the answer find their effort

repaid handsomely with increased understanding of parallel programming.

**Quick Quiz 1.1:** Where are the answers to the Quick Quizzes found? ■

**Quick Quiz 1.2:** Some of the Quick Quiz questions seem to be from the viewpoint of the reader rather than the author. Is that really the intent? ■

**Quick Quiz 1.3:** These Quick Quizzes are just not my cup of tea. What can I do about it? ■

In short, if you need a deep understanding of the material, then you should invest some time into answering the Quick Quizzes. Don't get me wrong, passively reading the material can be quite valuable, but gaining full problem-solving capability really does require that you practice solving problems.

I learned this the hard way during coursework for my late-in-life Ph.D. I was studying a familiar topic, and was surprised at how few of the chapter's exercises I could answer off the top of my head.<sup>2</sup> Forcing myself to answer the questions greatly increased my retention of the material. So with these Quick Quizzes I am not asking you to do anything that I have not been doing myself!

## 1.3 Alternatives to This Book

As Knuth learned, if you want your book to be finite, it must be focused. This book focuses on shared-memory parallel programming, with an emphasis on software that lives near the bottom of the software stack, such as operating-system kernels, parallel data-management systems, low-level libraries, and the like. The programming language used by this book is C.

If you are interested in other aspects of parallelism, you might well be better served by some other book. Fortunately, there are many alternatives available to you:

1. If you prefer a more academic and rigorous treatment of parallel programming, you might like Herlihy's and Shavit's textbook [HS08]. This book starts with an interesting combination of low-level primitives at high levels of abstraction from the hardware, and works its way through locking and simple data structures including lists, queues, hash tables, and counters, culminating with transactional memory. Michael Scott's textbook [Sco13] approaches similar material with more of a software-engineering focus, and, as far as I know, is the first formally published textbook to include a section devoted to RCU.
2. If you would like an academic treatment of parallel programming from a programming-language-pragmatics viewpoint, you might be interested in the concurrency chapter from Scott's textbook [Sco06] on programming-language pragmatics.
3. If you are interested in an object-oriented patternist treatment of parallel programming focussing on C++, you might try Volumes 2 and 4 of Schmidt's POSA series [SSRB00, BHS07]. Volume 4 in particular has some interesting chapters applying this work to a warehouse application. The realism of this example is attested to by the section entitled "Partitioning the Big Ball of Mud", wherein the problems inherent in parallelism often take a back seat to the problems inherent in getting one's head around a real-world application.
4. If your primary focus is scientific and technical computing, and you prefer a patternist approach, you might try Mattson et al.'s textbook [MSM05]. It covers

---

<sup>2</sup> So I suppose that it was just as well that my professors refused to let me waive that class!

```
1 git clone git://git.kernel.org/pub/scm/linux/kernel/git/paulmck/perfbook.git
2 cd perfbook
3 make
4 evince perfbook.pdf & # Two-column version
5 make perfbook-1c.pdf
6 evince perfbook-1c.pdf & # One-column version for e-readers
```

Figure 1.1: Creating an Up-To-Date PDF

Java, C/C++, OpenMP, and MPI. Its patterns are admirably focused first on design, then on implementation.

5. If your primary focus is scientific and technical computing, and you are interested in GPUs, CUDA, and MPI, you might check out Norm Matloff’s “Programming on Parallel Machines” [Mat13].
6. If you are interested in POSIX Threads, you might take a look at David R. Butenhof’s book [But97].
7. If you are interested in C++11, you might like Anthony Williams’s “C++ Concurrency in Action: Practical Multithreading” [Wil12].
8. If you are interested in C++, but in a Windows environment, you might try Herb Sutter’s “Effective Concurrency” series in Dr. Dobbs Journal [Sut08]. This series does a reasonable job of presenting a commonsense approach to parallelism.
9. If you want to try out Intel Threading Building Blocks, then perhaps James Reinders’s book [Rei07] is what you are looking for.
10. Those interested in learning how various types of multi-processor hardware cache organizations affect the implementation of kernel internals should take a look at Curt Schimmel’s classic treatment of this subject [Sch94].
11. Finally, those using Java might be well-served by Doug Lea’s textbooks [Lea97, GPB<sup>+</sup>07].

However, if you are interested in principles of parallel design for low-level software, especially software written in C, read on!

## 1.4 Sample Source Code

This book discusses its fair share of source code, and in many cases this source code may be found in the `CodeSamples` directory of this book’s git tree. For example, on UNIX systems, you should be able to type the following:

```
find CodeSamples -name rcu_rcpls.c -print
```

This command will locate the file `rcu_rcpls.c`, which is called out in Section 9.3.5. Other types of systems have well-known ways of locating files by filename.



```

1 git remote update
2 git checkout origin/master
3 make
4 evince perfbook.pdf & # Two-column version
5 make perfbook-1c.pdf
6 evince perfbook-1c.pdf & # One-column version for e-readers

```

Figure 1.2: Generating an Updated PDF

## 1.5 Whose Book Is This?

As the cover says, the editor is one Paul E. McKenney. However, the editor does accept contributions. These contributions can be in pretty much any form, with popular approaches including text emails, patches against the book's  $\text{\LaTeX}$  source, and even `git pull` requests. Use whatever form works best for you.

To make contributions in the latter two forms, you will need the  $\text{\LaTeX}$  source to the book, which may be found in the `git` archive at `git://git.kernel.org/pub/scm/linux/kernel/git/paulmck/perfbook.git`, and `git` itself is available as part of most mainstream Linux distributions. To create and display a current  $\text{\LaTeX}$  source tree of this book, use the list of Linux commands shown in Figure 1.1. In some environments, the `evince` command that displays `perfbook.pdf` may need to be replaced, for example, with `acroread`. The `git clone` command need only be used the first time you create a PDF, subsequently, you can run the commands shown in Figure 1.2 to pull in any updates and generate an updated PDF. The commands in Figure 1.2 must be run within the `perfbook` directory created by the commands shown in Figure 1.1.

PDFs of this book are sporadically posted at <http://kernel.org/pub/linux/kernel/people/paulmck/perfbook/perfbook.html> and at <http://www.rdrop.com/users/paulmck/perfbook/>.

The actual process of contributing patches and sending `git pull` requests is similar to that of the Linux kernel, which is documented in the `Documentation/SubmittingPatches` file in the Linux source tree. One important requirement is that each patch (or commit, in the case of a `git pull` request) must contain a valid `Signed-off-by:` line, which has the following format:

```
Signed-off-by: My Name <myname@example.org>
```

Please see <http://lkml.org/lkml/2007/1/15/219> for an example patch containing a `Signed-off-by:` line.

It is important to note that the `Signed-off-by:` line has a very specific meaning, namely that you are certifying that:

1. The contribution was created in whole or in part by me and I have the right to submit it under the open source license indicated in the file; or
2. The contribution is based upon previous work that, to the best of my knowledge, is covered under an appropriate open source License and I have the right under that license to submit that work with modifications, whether created in whole or in part by me, under the same open source license (unless I am permitted to submit under a different license), as indicated in the file; or
3. The contribution was provided directly to me by some other person who certified (a), (b) or (c) and I have not modified it.

4. The contribution is made free of any other party's intellectual property claims or rights.
5. I understand and agree that this project and the contribution are public and that a record of the contribution (including all personal information I submit with it, including my sign-off) is maintained indefinitely and may be redistributed consistent with this project or the open source license(s) involved.

This is similar to the Developer's Certificate of Origin (DCO) 1.1 used by the Linux kernel. The only addition is item #4. This added item says that you wrote the contribution yourself, as opposed to having (say) copied it from somewhere. If multiple people authored a contribution, each should have a `Signed-off-by:` line.

You must use your real name: I unfortunately cannot accept pseudonymous or anonymous contributions.

The language of this book is American English, however, the open-source nature of this book permits translations, and I personally encourage them. The open-source licenses covering this book additionally allow you to sell your translation, if you wish. I do request that you send me a copy of the translation (hardcopy if available), but this is a request made as a professional courtesy, and is not in any way a prerequisite to the permission that you already have under the Creative Commons and GPL licenses. Please see the `FAQ.txt` file in the source tree for a list of translations currently in progress. I consider a translation effort to be "in progress" once at least one chapter has been fully translated.

As noted at the beginning of this section, I am this book's editor. However, if you choose to contribute, it will be your book as well. With that, I offer you Chapter 2, our introduction.

## Chapter 2

# Introduction

Parallel programming has earned a reputation as one of the most difficult areas a hacker can tackle. Papers and textbooks warn of the perils of deadlock, livelock, race conditions, non-determinism, Amdahl's-Law limits to scaling, and excessive realtime latencies. And these perils are quite real; we authors have accumulated uncounted years of experience dealing with them, and all of the emotional scars, grey hairs, and hair loss that go with such experiences.

However, new technologies that are difficult to use at introduction invariably become easier over time. For example, the once-rare ability to drive a car is now commonplace in many countries. This dramatic change came about for two basic reasons: (1) cars became cheaper and more readily available, so that more people had the opportunity to learn to drive, and (2) cars became easier to operate due to automatic transmissions, automatic chokes, automatic starters, greatly improved reliability, and a host of other technological improvements.

The same is true of a host of other technologies, including computers. It is no longer necessary to operate a keypunch in order to program. Spreadsheets allow most non-programmers to get results from their computers that would have required a team of specialists a few decades ago. Perhaps the most compelling example is web-surfing and content creation, which since the early 2000s has been easily done by untrained, uneducated people using various now-commonplace social-networking tools. As recently as 1968, such content creation was a far-out research project [Eng68], described at the time as “like a UFO landing on the White House lawn”[Gri00].

Therefore, if you wish to argue that parallel programming will remain as difficult as it is currently perceived by many to be, it is you who bears the burden of proof, keeping in mind the many centuries of counter-examples in a variety of fields of endeavor.

### 2.1 Historic Parallel Programming Difficulties

As indicated by its title, this book takes a different approach. Rather than complain about the difficulty of parallel programming, it instead examines the reasons why parallel programming is difficult, and then works to help the reader to overcome these difficulties. As will be seen, these difficulties have fallen into several categories, including:

1. The historic high cost and relative rarity of parallel systems.

2. The typical researcher's and practitioner's lack of experience with parallel systems.
3. The paucity of publicly accessible parallel code.
4. The lack of a widely understood engineering discipline of parallel programming.
5. The high overhead of communication relative to that of processing, even in tightly coupled shared-memory computers.

Many of these historic difficulties are well on the way to being overcome. First, over the past few decades, the cost of parallel systems has decreased from many multiples of that of a house to a fraction of that of a bicycle, courtesy of Moore's Law. Papers calling out the advantages of multicore CPUs were published as early as 1996 [ONH<sup>+</sup>96]. IBM introduced simultaneous multi-threading into its high-end POWER family in 2000, and multicore in 2001. Intel introduced hyperthreading into its commodity Pentium line in November 2000, and both AMD and Intel introduced dual-core CPUs in 2005. Sun followed with the multicore/multi-threaded Niagara in late 2005. In fact, by 2008, it was becoming difficult to find a single-CPU desktop system, with single-core CPUs being relegated to netbooks and embedded devices. By 2012, even smartphones were starting to sport multiple CPUs.

Second, the advent of low-cost and readily available multicore systems means that the once-rare experience of parallel programming is now available to almost all researchers and practitioners. In fact, parallel systems are now well within the budget of students and hobbyists. We can therefore expect greatly increased levels of invention and innovation surrounding parallel systems, and that increased familiarity will over time make the once prohibitively expensive field of parallel programming much more friendly and commonplace.

Third, in the 20<sup>th</sup> century, large systems of highly parallel software were almost always closely guarded proprietary secrets. In happy contrast, the 21<sup>st</sup> century has seen numerous open-source (and thus publicly available) parallel software projects, including the Linux kernel [Tor03c], database systems [Pos08, MS08], and message-passing systems [The08, UoC08]. This book will draw primarily from the Linux kernel, but will provide much material suitable for user-level applications.

Fourth, even though the large-scale parallel-programming projects of the 1980s and 1990s were almost all proprietary projects, these projects have seeded the community with a cadre of developers who understand the engineering discipline required to develop production-quality parallel code. A major purpose of this book is to present this engineering discipline.

Unfortunately, the fifth difficulty, the high cost of communication relative to that of processing, remains largely in force. Although this difficulty has been receiving increasing attention during the new millennium, according to Stephen Hawking, the finite speed of light and the atomic nature of matter is likely to limit progress in this area [Gar07, Moo03]. Fortunately, this difficulty has been in force since the late 1980s, so that the aforementioned engineering discipline has evolved practical and effective strategies for handling it. In addition, hardware designers are increasingly aware of these issues, so perhaps future hardware will be more friendly to parallel software as discussed in Section 3.3.

**Quick Quiz 2.1:** Come on now!!! Parallel programming has been known to be exceedingly hard for many decades. You seem to be hinting that it is not so hard. What sort of game are you playing? ■

However, even though parallel programming might not be as hard as is commonly advertised, it is often more work than is sequential programming.

**Quick Quiz 2.2:** How could parallel programming *ever* be as easy as sequential programming? ■

It therefore makes sense to consider alternatives to parallel programming. However, it is not possible to reasonably consider parallel-programming alternatives without understanding parallel-programming goals. This topic is addressed in the next section.

## 2.2 Parallel Programming Goals

The three major goals of parallel programming (over and above those of sequential programming) are as follows:

1. Performance.
2. Productivity.
3. Generality.

**Quick Quiz 2.3:** Oh, really??? What about correctness, maintainability, robustness, and so on? ■

**Quick Quiz 2.4:** And if correctness, maintainability, and robustness don't make the list, why do productivity and generality? ■

**Quick Quiz 2.5:** Given that parallel programs are much harder to prove correct than are sequential programs, again, shouldn't correctness *really* be on the list? ■

**Quick Quiz 2.6:** What about just having fun? ■

Each of these goals is elaborated upon in the following sections.

### 2.2.1 Performance

Performance is the primary goal behind most parallel-programming effort. After all, if performance is not a concern, why not do yourself a favor: Just write sequential code, and be happy? It will very likely be easier and you will probably get done much more quickly.

**Quick Quiz 2.7:** Are there no cases where parallel programming is about something other than performance? ■

Note that “performance” is interpreted quite broadly here, including scalability (performance per CPU) and efficiency (for example, performance per watt).

That said, the focus of performance has shifted from hardware to parallel software. This change in focus is due to the fact that, although Moore's Law continues to deliver increases in transistor density, it has ceased to provide the traditional single-threaded performance increases. This can be seen in Figure 2.1.<sup>1</sup>, which shows that writing single-threaded code and simply waiting a year or two for the CPUs to catch up may no longer be an option. Given the recent trends on the part of all major manufacturers

<sup>1</sup> This plot shows clock frequencies for newer CPUs theoretically capable of retiring one or more instructions per clock, and MIPS (millions of instructions per second, usually from the old Dhrystone benchmark) for older CPUs requiring multiple clocks to execute even the simplest instruction. The reason for shifting between these two measures is that the newer CPUs' ability to retire multiple instructions per clock is typically limited by memory-system performance. Furthermore, the benchmarks commonly used on the older CPUs are obsolete, and it is difficult to run the newer benchmarks on systems containing the old CPUs, in part because it is hard to find working instances of the old CPUs.

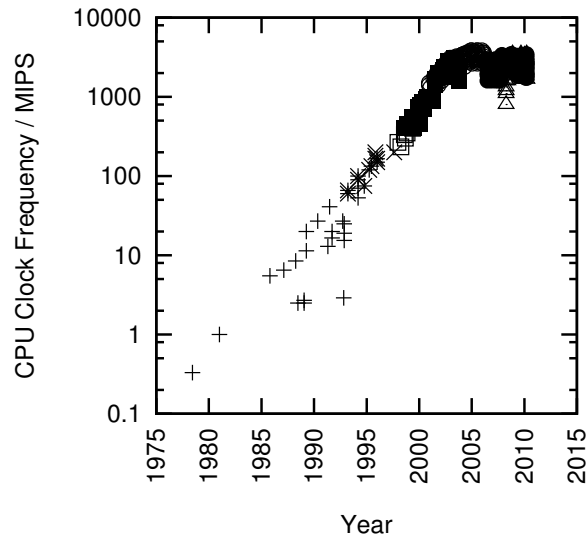


Figure 2.1: MIPS/Clock-Frequency Trend for Intel CPUs

towards multicore/multithreaded systems, parallelism is the way to go for those wanting the avail themselves of the full performance of their systems.

Even so, the first goal is performance rather than scalability, especially given that the easiest way to attain linear scalability is to reduce the performance of each CPU [Tor01]. Given a four-CPU system, which would you prefer? A program that provides 100 transactions per second on a single CPU, but does not scale at all? Or a program that provides 10 transactions per second on a single CPU, but scales perfectly? The first program seems like a better bet, though the answer might change if you happened to have a 32-CPU system.

That said, just because you have multiple CPUs is not necessarily in and of itself a reason to use them all, especially given the recent decreases in price of multi-CPU systems. The key point to understand is that parallel programming is primarily a performance optimization, and, as such, it is one potential optimization of many. If your program is fast enough as currently written, there is no reason to optimize, either by parallelizing it or by applying any of a number of potential sequential optimizations.<sup>2</sup> By the same token, if you are looking to apply parallelism as an optimization to a sequential program, then you will need to compare parallel algorithms to the best sequential algorithms. This may require some care, as far too many publications ignore the sequential case when analyzing the performance of parallel algorithms.

## 2.2.2 Productivity

**Quick Quiz 2.8:** Why all this prattling on about non-technical issues??? And not just any non-technical issue, but *productivity* of all things? Who cares? ■

Productivity has been becoming increasingly important in recent decades. To see this, consider that the price of early computers was tens of millions of dollars at a time

<sup>2</sup> Of course, if you are a hobbyist whose primary interest is writing parallel software, that is more than enough reason to parallelize whatever software you are interested in.

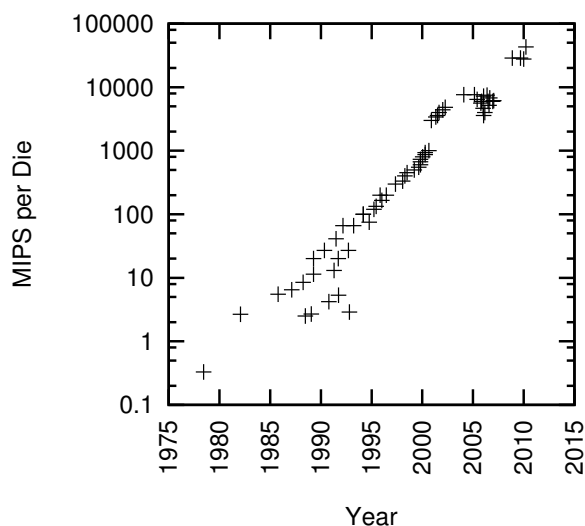


Figure 2.2: MIPS per Die for Intel CPUs

when engineering salaries were but a few thousand dollars a year. If dedicating a team of ten engineers to such a machine would improve its performance, even by only 10%, then their salaries would be repaid many times over.

One such machine was the CSIRAC, the oldest still-intact stored-program computer, which was put into operation in 1949 [Mus04, Mel06]. Because this machine was built before the transistor era, it was constructed of 2,000 vacuum tubes, ran with a clock frequency of 1kHz, consumed 30kW of power, and weighed more than three metric tons. Given that this machine had but 768 words of RAM, it is safe to say that it did not suffer from the productivity issues that often plague today’s large-scale software projects.

Today, it would be quite difficult to purchase a machine with so little computing power. Perhaps the closest equivalents are 8-bit embedded microprocessors exemplified by the venerable Z80 [Wik08], but even the old Z80 had a CPU clock frequency more than 1,000 times faster than the CSIRAC. The Z80 CPU had 8,500 transistors, and could be purchased in 2008 for less than \$2 US per unit in 1,000-unit quantities. In stark contrast to the CSIRAC, software-development costs are anything but insignificant for the Z80.

The CSIRAC and the Z80 are two points in a long-term trend, as can be seen in Figure 2.2. This figure plots an approximation to computational power per die over the past three decades, showing a consistent four-order-of-magnitude increase. Note that the advent of multicore CPUs has permitted this increase to continue unabated despite the clock-frequency wall encountered in 2003.

One of the inescapable consequences of the rapid decrease in the cost of hardware is that software productivity becomes increasingly important. It is no longer sufficient merely to make efficient use of the hardware: It is now necessary to make extremely efficient use of software developers as well. This has long been the case for sequential hardware, but parallel hardware has become a low-cost commodity only recently. Therefore, only recently has high productivity become critically important when creating parallel software.

**Quick Quiz 2.9:** Given how cheap parallel systems have become, how can anyone

afford to pay people to program them? ■

Perhaps at one time, the sole purpose of parallel software was performance. Now, however, productivity is gaining the spotlight.

### 2.2.3 Generality

One way to justify the high cost of developing parallel software is to strive for maximal generality. All else being equal, the cost of a more-general software artifact can be spread over more users than that of a less-general one.

Unfortunately, generality often comes at the cost of performance, productivity, or both. To see this, consider the following popular parallel programming environments:

**C/C++ “Locking Plus Threads”** : This category, which includes POSIX Threads (pthreads) [Ope97], Windows Threads, and numerous operating-system kernel environments, offers excellent performance (at least within the confines of a single SMP system) and also offers good generality. Pity about the relatively low productivity.

**Java** : This general purpose and inherently multithreaded programming environment is widely believed to offer much higher productivity than C or C++, courtesy of the automatic garbage collector and the rich set of class libraries. However, its performance, though greatly improved in the early 2000s, lags that of C and C++.

**MPI** : This Message Passing Interface [MPI08] powers the largest scientific and technical computing clusters in the world and offers unparalleled performance and scalability. In theory, it is general purpose, but it is mainly used for scientific and technical computing. Its productivity is believed by many to be even lower than that of C/C++ “locking plus threads” environments.

**OpenMP** : This set of compiler directives can be used to parallelize loops. It is thus quite specific to this task, and this specificity often limits its performance. It is, however, much easier to use than MPI or C/C++ “locking plus threads.”

**SQL** : Structured Query Language [Int92] is specific to relational database queries. However, its performance is quite good as measured by the Transaction Processing Performance Council (TPC) benchmark results [Tra01]. Productivity is excellent; in fact, this parallel programming environment enables people to make good use of a large parallel system despite having little or no knowledge of parallel programming concepts.

The nirvana of parallel programming environments, one that offers world-class performance, productivity, and generality, simply does not yet exist. Until such a nirvana appears, it will be necessary to make engineering tradeoffs among performance, productivity, and generality. One such tradeoff is shown in Figure 2.3, which shows how productivity becomes increasingly important at the upper layers of the system stack, while performance and generality become increasingly important at the lower layers of the system stack. The huge development costs incurred at the lower layers must be spread over equally huge numbers of users (hence the importance of generality), and performance lost in lower layers cannot easily be recovered further up the stack. In the upper layers of the stack, there might be very few users for a given specific application, in which case productivity concerns are paramount. This explains the



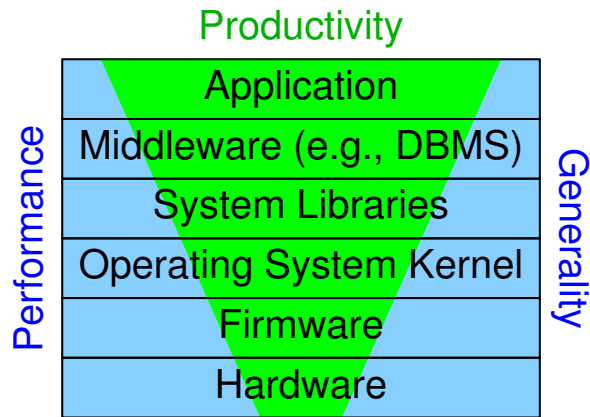


Figure 2.3: Software Layers and Performance, Productivity, and Generality

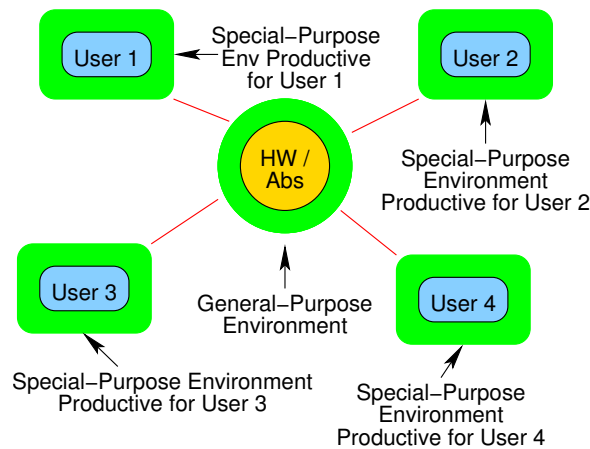


Figure 2.4: Tradeoff Between Productivity and Generality

tendency towards “bloatware” further up the stack: extra hardware is often cheaper than the extra developers. This book is intended for developers working near the bottom of the stack, where performance and generality are of great concern.

It is important to note that a tradeoff between productivity and generality has existed for centuries in many fields. For but one example, a nailgun is more productive than a hammer for driving nails, but in contrast to the nailgun, a hammer can be used for many things besides driving nails. It should therefore be no surprise to see similar tradeoffs appear in the field of parallel computing. This tradeoff is shown schematically in Figure 2.4. Here, users 1, 2, 3, and 4 have specific jobs that they need the computer to help them with. The most productive possible language or environment for a given user is one that simply does that user’s job, without requiring any programming, configuration, or other setup.

**Quick Quiz 2.10:** This is a ridiculously unachievable ideal! Why not focus on something that is achievable in practice? ■

Unfortunately, a system that does the job required by user 1 is unlikely to do

user 2's job. In other words, the most productive languages and environments are domain-specific, and thus by definition lacking generality.

Another option is to tailor a given programming language or environment to the hardware system (for example, low-level languages such as assembly, C, C++, or Java) or to some abstraction (for example, Haskell, Prolog, or Snobol), as is shown by the circular region near the center of Figure 2.4. These languages can be considered to be general in the sense that they are equally ill-suited to the jobs required by users 1, 2, 3, and 4. In other words, their generality is purchased at the expense of decreased productivity when compared to domain-specific languages and environments. Worse yet, a language that is tailored to a given abstraction is also likely to suffer from performance and scalability problems unless and until someone figures out how to efficiently map that abstraction to real hardware.

With the three often-conflicting parallel-programming goals of performance, productivity, and generality in mind, it is now time to look into avoiding these conflicts by considering alternatives to parallel programming.

## 2.3 Alternatives to Parallel Programming

In order to properly consider alternatives to parallel programming, you must first decide on what exactly you expect the parallelism to do for you. As seen in Section 2.2, the primary goals of parallel programming are performance, productivity, and generality. Because this book is intended for developers working on performance-critical code near the bottom of the software stack, the remainder of this section focuses primarily on performance improvement.

It is important to keep in mind that parallelism is but one way to improve performance. Other well-known approaches include the following, in roughly increasing order of difficulty:

1. Run multiple instances of a sequential application.
2. Make the application use existing parallel software.
3. Apply performance optimization to the serial application.

These approaches are covered in the following sections.

### 2.3.1 Multiple Instances of a Sequential Application

Running multiple instances of a sequential application can allow you to do parallel programming without actually doing parallel programming. There are a large number of ways to approach this, depending on the structure of the application.

If your program is analyzing a large number of different scenarios, or is analyzing a large number of independent data sets, one easy and effective approach is to create a single sequential program that carries out a single analysis, then use any of a number of scripting environments (for example the `bash` shell) to run a number of instances of that sequential program in parallel. In some cases, this approach can be easily extended to a cluster of machines.

This approach may seem like cheating, and in fact some denigrate such programs as “embarrassingly parallel”. And in fact, this approach does have some potential

disadvantages, including increased memory consumption, waste of CPU cycles recomputing common intermediate results, and increased copying of data. However, it is often extremely productive, garnering extreme performance gains with little or no added effort.

### 2.3.2 Use Existing Parallel Software

There is no longer any shortage of parallel software environments that can present a single-threaded programming environment, including relational databases [Dat82], web-application servers, and map-reduce environments. For example, a common design provides a separate program for each user, each of which generates SQL programs. These per-user SQL programs are run concurrently against a common relational database, which automatically runs the users' queries concurrently. The per-user programs are responsible only for the user interface, with the relational database taking full responsibility for the difficult issues surrounding parallelism and persistence.

Taking this approach often sacrifices some performance, at least when compared to carefully hand-coding a fully parallel application. However, such sacrifice is often justified given the huge reduction in development effort required.

### 2.3.3 Performance Optimization

Up through the early 2000s, CPU performance was doubling every 18 months. In such an environment, it is often much more important to create new functionality than to do careful performance optimization. Now that Moore's Law is "only" increasing transistor density instead of increasing both transistor density and per-transistor performance, it might be a good time to rethink the importance of performance optimization. After all, new hardware generations no longer bring significant single-threaded performance improvements. Furthermore, many performance optimizations can also conserve energy.

From this viewpoint, parallel programming is but another performance optimization, albeit one that is becoming much more attractive as parallel systems become cheaper and more readily available. However, it is wise to keep in mind that the speedup available from parallelism is limited to roughly the number of CPUs. In contrast, the speedup available from traditional single-threaded software optimizations can be much larger. For example, replacing a long linked list with either a hash table or a search tree can improve performance by many orders of magnitude. This highly optimized single-threaded program might run much faster than its unoptimized parallel counterpart, making parallelization unnecessary. Of course, a highly optimized parallel program would be even better, give or take the added development effort required.

Furthermore, different programs might have different performance bottlenecks. For example, if your program spends most of its time waiting on data from your disk drive, using multiple CPUs will probably just increase the time wasted waiting for the disks. In fact, if the program was reading from a single large file laid out sequentially on a rotating disk, parallelizing your program might well make it a lot slower due to the added seek overhead. You should instead optimize the data layout so that the file can be smaller (thus faster to read), split the file into chunks which can be accessed in parallel from different drives, cache frequently accessed data in main memory, or, if possible, reduce the amount of data that must be read.

**Quick Quiz 2.11:** What other bottlenecks might prevent additional CPUs from providing additional performance? ■

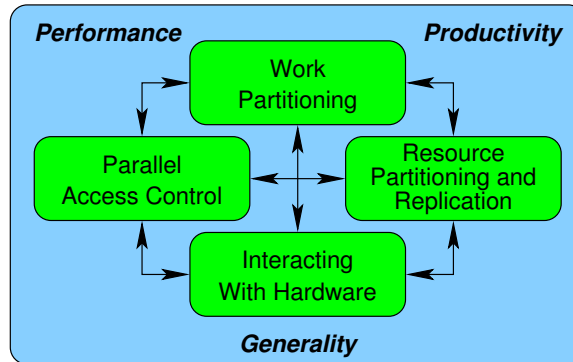


Figure 2.5: Categories of Tasks Required of Parallel Programmers

Parallelism can be a powerful optimization technique, but it is not the only such technique, nor is it appropriate for all situations. Of course, the easier it is to parallelize your program, the more attractive parallelization becomes as an optimization. Parallelization has a reputation of being quite difficult, which leads to the question “exactly what makes parallel programming so difficult?”

## 2.4 What Makes Parallel Programming Hard?

It is important to note that the difficulty of parallel programming is as much a human-factors issue as it is a set of technical properties of the parallel programming problem. We do need human beings to be able to tell parallel systems what to do, otherwise known as programming. But parallel programming involves two-way communication, with a program’s performance and scalability being the communication from the machine to the human. In short, the human writes a program telling the computer what to do, and the computer critiques this program via the resulting performance and scalability. Therefore, appeals to abstractions or to mathematical analyses will often be of severely limited utility.

In the Industrial Revolution, the interface between human and machine was evaluated by human-factor studies, then called time-and-motion studies. Although there have been a few human-factor studies examining parallel programming [ENS05, ES05, HCS<sup>+</sup>05, SS94], these studies have been extremely narrowly focused, and hence unable to demonstrate any general results. Furthermore, given that the normal range of programmer productivity spans more than an order of magnitude, it is unrealistic to expect an affordable study to be capable of detecting (say) a 10% difference in productivity. Although the multiple-order-of-magnitude differences that such studies *can* reliably detect are extremely valuable, the most impressive improvements tend to be based on a long series of 10% improvements.

We must therefore take a different approach.

One such approach is to carefully consider the tasks that parallel programmers must undertake that are not required of sequential programmers. We can then evaluate how well a given programming language or environment assists the developer with these tasks. These tasks fall into the four categories shown in Figure 2.5, each of which is covered in the following sections.

### 2.4.1 Work Partitioning

Work partitioning is absolutely required for parallel execution: if there is but one “glob” of work, then it can be executed by at most one CPU at a time, which is by definition sequential execution. However, partitioning the code requires great care. For example, uneven partitioning can result in sequential execution once the small partitions have completed [Amd67]. In less extreme cases, load balancing can be used to fully utilize available hardware and restore performance and scalability.

Although partitioning can greatly improve performance and scalability, it can also increase complexity. For example, partitioning can complicate handling of global errors and events: A parallel program may need to carry out non-trivial synchronization in order to safely process such global events. More generally, each partition requires some sort of communication: After all, if a given thread did not communicate at all, it would have no effect and would thus not need to be executed. However, because communication incurs overhead, careless partitioning choices can result in severe performance degradation.

Furthermore, the number of concurrent threads must often be controlled, as each such thread occupies common resources, for example, space in CPU caches. If too many threads are permitted to execute concurrently, the CPU caches will overflow, resulting in high cache miss rate, which in turn degrades performance. Conversely, large numbers of threads are often required to overlap computation and I/O so as to fully utilize I/O devices.

**Quick Quiz 2.12:** Other than CPU cache capacity, what might require limiting the number of concurrent threads? ■

Finally, permitting threads to execute concurrently greatly increases the program’s state space, which can make the program difficult to understand and debug, degrading productivity. All else being equal, smaller state spaces having more regular structure are more easily understood, but this is a human-factors statement as much as it is a technical or mathematical statement. Good parallel designs might have extremely large state spaces, but nevertheless be easy to understand due to their regular structure, while poor designs can be impenetrable despite having a comparatively small state space. The best designs exploit embarrassing parallelism, or transform the problem to one having an embarrassingly parallel solution. In either case, “embarrassingly parallel” is in fact an embarrassment of riches. The current state of the art enumerates good designs; more work is required to make more general judgments on state-space size and structure.

### 2.4.2 Parallel Access Control

Given a single-threaded sequential program, that single thread has full access to all of the program’s resources. These resources are most often in-memory data structures, but can be CPUs, memory (including caches), I/O devices, computational accelerators, files, and much else besides.

The first parallel-access-control issue is whether the form of the access to a given resource depends on that resource’s location. For example, in many message-passing environments, local-variable access is via expressions and assignments, while remote-variable access uses an entirely different syntax, usually involving messaging. The POSIX Threads environment [Ope97], Structured Query Language (SQL) [Int92], and partitioned global address-space (PGAS) environments such as Universal Parallel C (UPC) [EGCD03] offer implicit access, while Message Passing Interface (MPI) [MPI08] offers explicit access because access to remote data requires explicit messaging.

The other parallel-access-control issue is how threads coordinate access to the resources. This coordination is carried out by the very large number of synchronization mechanisms provided by various parallel languages and environments, including message passing, locking, transactions, reference counting, explicit timing, shared atomic variables, and data ownership. Many traditional parallel-programming concerns such as deadlock, livelock, and transaction rollback stem from this coordination. This framework can be elaborated to include comparisons of these synchronization mechanisms, for example locking vs. transactional memory [MMW07], but such elaboration is beyond the scope of this section. (See Sections 16.2 and 16.3 for more information on transactional memory.)

### **2.4.3 Resource Partitioning and Replication**

The most effective parallel algorithms and systems exploit resource parallelism, so much so that it is usually wise to begin parallelization by partitioning your write-intensive resources and replicating frequently accessed read-mostly resources. The resource in question is most frequently data, which might be partitioned over computer systems, mass-storage devices, NUMA nodes, CPU cores (or dies or hardware threads), pages, cache lines, instances of synchronization primitives, or critical sections of code. For example, partitioning over locking primitives is termed “data locking” [BK85].

Resource partitioning is frequently application dependent. For example, numerical applications frequently partition matrices by row, column, or sub-matrix, while commercial applications frequently partition write-intensive data structures and replicate read-mostly data structures. Thus, a commercial application might assign the data for a given customer to a given few computer out of a large cluster. An application might statically partition data, or dynamically change the partitioning over time.

Resource partitioning is extremely effective, but it can be quite challenging for complex multilinked data structures.

### **2.4.4 Interacting With Hardware**

Hardware interaction is normally the domain of the operating system, the compiler, libraries, or other software-environment infrastructure. However, developers working with novel hardware features and components will often need to work directly with such hardware. In addition, direct access to the hardware can be required when squeezing the last drop of performance out of a given system. In this case, the developer may need to tailor or configure the application to the cache geometry, system topology, or interconnect protocol of the target hardware.

In some cases, hardware may be considered to be a resource which is subject to partitioning or access control, as described in the previous sections.

### **2.4.5 Composite Capabilities**

Although these four capabilities are fundamental, good engineering practice uses composites of these capabilities. For example, the data-parallel approach first partitions the data so as to minimize the need for inter-partition communication, partitions the code accordingly, and finally maps data partitions and threads so as to maximize throughput while minimizing inter-thread communication, as shown in Figure 2.6. The developer can then consider each partition separately, greatly reducing the size of the relevant state space, in turn increasing productivity. Even though some problems are non-partitionable,

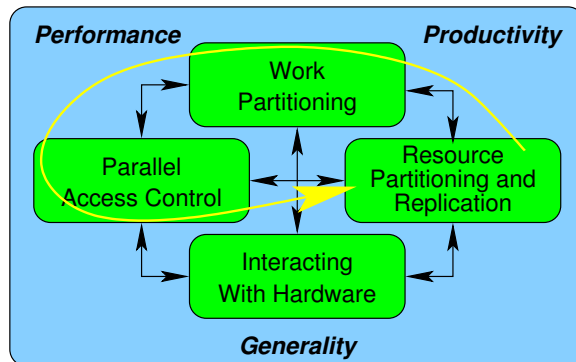


Figure 2.6: Ordering of Parallel-Programming Tasks

clever transformations into forms permitting partitioning can sometimes greatly enhance both performance and scalability [Met99].

#### 2.4.6 How Do Languages and Environments Assist With These Tasks?

Although many environments require the developer to deal manually with these tasks, there are long-standing environments that bring significant automation to bear. The poster child for these environments is SQL, many implementations of which automatically parallelize single large queries and also automate concurrent execution of independent queries and updates.

These four categories of tasks must be carried out in all parallel programs, but that of course does not necessarily mean that the developer must manually carry out these tasks. We can expect to see ever-increasing automation of these four tasks as parallel systems continue to become cheaper and more readily available.

**Quick Quiz 2.13:** Are there any other obstacles to parallel programming? ■

### 2.5 Discussion

This section has given an overview of the difficulties with, goals of, and alternatives to parallel programming. This overview was followed by a discussion of what can make parallel programming hard, along with a high-level approach for dealing with parallel programming's difficulties. We are now ready to proceed to the next chapter, which dives into the relevant properties of the parallel hardware underlying our parallel software.





## Chapter 3

# Hardware and its Habits

Most people have an intuitive understanding that passing messages between systems is considerably more expensive than performing simple calculations within the confines of a single system. However, it is not always so clear that communicating among threads within the confines of a single shared-memory system can also be quite expensive. This chapter therefore looks at the cost of synchronization and communication within a shared-memory system. These few pages can do no more than scratch the surface of shared-memory parallel hardware design; readers desiring more detail would do well to start with a recent edition of Hennessy and Patterson’s classic text [HP95].

**Quick Quiz 3.1:** Why should parallel programmers bother learning low-level properties of the hardware? Wouldn’t it be easier, better, and more general to remain at a higher level of abstraction? ■

### 3.1 Overview

Careless reading of computer-system specification sheets might lead one to believe that CPU performance is a footrace on a clear track, as illustrated in Figure 3.1, where the race always goes to the swiftest.

Although there are a few CPU-bound benchmarks that approach the ideal shown in Figure 3.1, the typical program more closely resembles an obstacle course than a race track. This is because the internal architecture of CPUs has changed dramatically over the past few decades, courtesy of Moore’s Law. These changes are described in the following sections.

#### 3.1.1 Pipelined CPUs

In the early 1980s, the typical microprocessor fetched an instruction, decoded it, and executed it, typically taking *at least* three clock cycles to complete one instruction before proceeding to the next. In contrast, the CPU of the late 1990s and early 2000s will be executing many instructions simultaneously, using a deep “pipeline” to control the flow of instructions internally to the CPU. These modern hardware features can greatly improve performance, as illustrated by Figure 3.2.

Achieving full performance with a CPU having a long pipeline requires highly predictable control flow through the program. Suitable control flow can be provided by a program that executes primarily in tight loops, for example, arithmetic on large

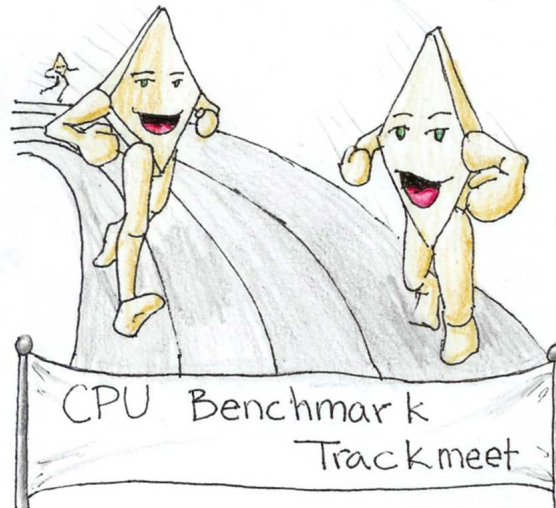


Figure 3.1: CPU Performance at its Best

matrices or vectors. The CPU can then correctly predict that the branch at the end of the loop will be taken in almost all cases, allowing the pipeline to be kept full and the CPU to execute at full speed.

However, suppose we have either a program with many loops with small loop counts or an object-oriented program with many virtual objects that can reference many different real objects, all with different implementations for frequently invoked member functions. In these cases, it is difficult or even impossible for the CPU to predict where a given branch might lead. The CPU must then either stall waiting for execution to proceed far enough to know for certain where the branch will lead, or guess—and, in the face of

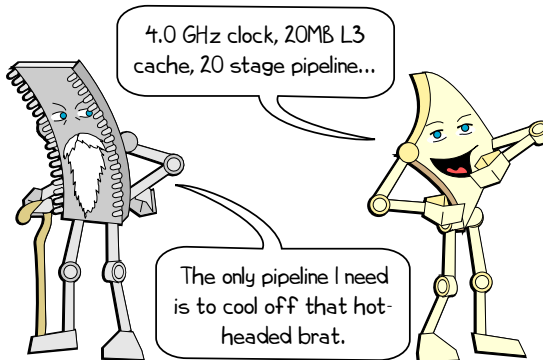


Figure 3.2: CPUs Old and New

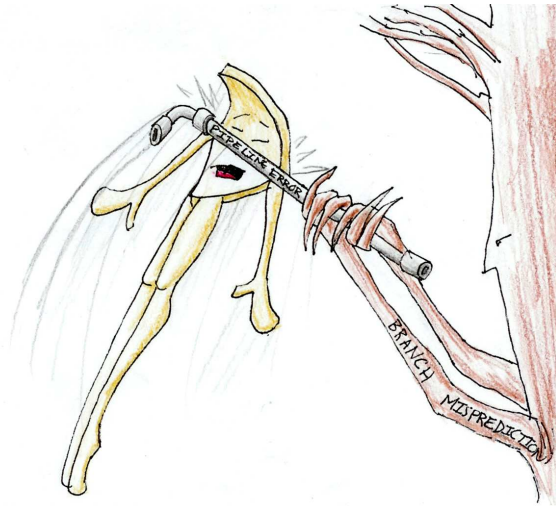


Figure 3.3: CPU Meets a Pipeline Flush

programs with unpredictable control flow—frequently guess wrong. Wrong guesses can be very expensive because the CPU must discard the results of any instructions that were executed speculatively based on the wrong guess. In addition, regardless of whether the CPU stalls or guesses, the pipeline will empty and have to be refilled, leading to stalls that can drastically reduce performance, as fancifully depicted in Figure 3.3.

Unfortunately, pipeline flushes are not the only hazards in the obstacle course that modern CPUs must run. The next section covers the hazards of referencing memory.

### 3.1.2 Memory References

In the 1980s, it often took less time for a microprocessor to load a value from memory than it did to execute an instruction. In 2006, a microprocessor might be capable of executing hundreds or even thousands of instructions in the time required to access memory. This disparity is due to the fact that Moore’s Law has increased CPU performance at a much greater rate than it has increased memory performance, in part due to the rate at which memory sizes have grown. For example, a typical 1970s minicomputer might have 4KB (yes, kilobytes, not megabytes, let alone gigabytes) of main memory, with single-cycle access.<sup>1</sup> In 2008, CPU designers still can construct a 4KB memory with single-cycle access, even on systems with multi-GHz clock frequencies. And in fact they frequently do construct such memories, but they now call them “level-0 caches,” and they are quite a bit bigger than 4KB.

Although the large caches found on modern microprocessors can do quite a bit to help combat memory-access latencies, these caches require highly predictable data-access patterns to successfully hide memory latencies. Unfortunately, common operations, such as traversing a linked list, have extremely unpredictable memory-access patterns — after all, if the pattern was predictable, us software types would not bother with the pointers, right?

<sup>1</sup> It is only fair to add that each of these single cycles consumed no less than 1.6 *microseconds*.

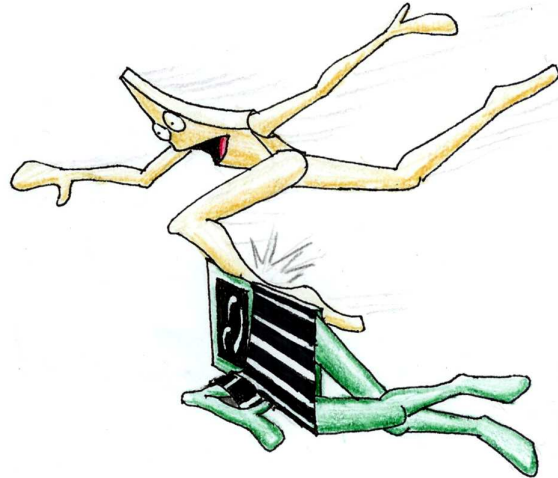


Figure 3.4: CPU Meets a Memory Reference

Therefore, as shown in Figure 3.4, memory references are often severe obstacles for modern CPUs.

Thus far, we have only been considering obstacles that can arise during a given CPU's execution of single-threaded code. Multi-threading presents additional obstacles to the CPU, as described in the following sections.

### 3.1.3 Atomic Operations

One such obstacle is atomic operations. The whole idea of an atomic operation in some sense conflicts with the piece-at-a-time assembly-line operation of a CPU pipeline. To hardware designers' credit, modern CPUs use a number of extremely clever tricks to make such operations *look* atomic even though they are in fact being executed piece-at-a-time, but even so, there are cases where the pipeline must be delayed or even flushed in order to permit a given atomic operation to complete correctly.

The resulting effect on performance is depicted in Figure 3.5.

Unfortunately, atomic operations usually apply only to single elements of data. Because many parallel algorithms require that ordering constraints be maintained between updates of multiple data elements, most CPUs provide memory barriers. These memory barriers also serve as performance-sapping obstacles, as described in the next section.

**Quick Quiz 3.2:** What types of machines would allow atomic operations on multiple data elements? ■

Fortunately, CPU designers have focused heavily on atomic operations, so that as of early 2012 they have greatly reduced (but by no means eliminated) their overhead.

### 3.1.4 Memory Barriers

Memory barriers will be considered in more detail in Section 14.2 and Appendix C. In the meantime, consider the following simple lock-based critical section:

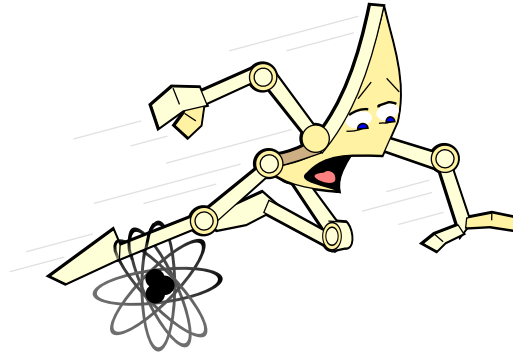


Figure 3.5: CPU Meets an Atomic Operation

```
1 spin_lock(&mylock);  
2 a = a + 1;  
3 spin_unlock(&mylock);
```

If the CPU were not constrained to execute these statements in the order shown, the effect would be that the variable “a” would be incremented without the protection of “mylock”, which would certainly defeat the purpose of acquiring it. To prevent such destructive reordering, locking primitives contain either explicit or implicit memory barriers. Because the whole purpose of these memory barriers is to prevent reorderings that the CPU would otherwise undertake in order to increase performance, memory barriers almost always reduce performance, as depicted in Figure 3.6.

As with atomic operations, CPU designers have been working hard to reduce memory-barrier overhead, and have made substantial progress.

### 3.1.5 Cache Misses

An additional multi-threading obstacle to CPU performance is the “cache miss”. As noted earlier, modern CPUs sport large caches in order to reduce the performance penalty that would otherwise be incurred due to high memory latencies. However, these caches are actually counter-productive for variables that are frequently shared among CPUs. This is because when a given CPU wishes to modify the variable, it is most likely the case that some other CPU has modified it recently. In this case, the variable will be in that other CPU’s cache, but not in this CPU’s cache, which will therefore incur an expensive cache miss (see Section C.1 for more detail). Such cache misses form a major obstacle to CPU performance, as shown in Figure 3.7.

**Quick Quiz 3.3:** So have CPU designers also greatly reduced the overhead of cache misses? ■

### 3.1.6 I/O Operations

A cache miss can be thought of as a CPU-to-CPU I/O operation, and as such is one of the cheapest I/O operations available. I/O operations involving networking, mass

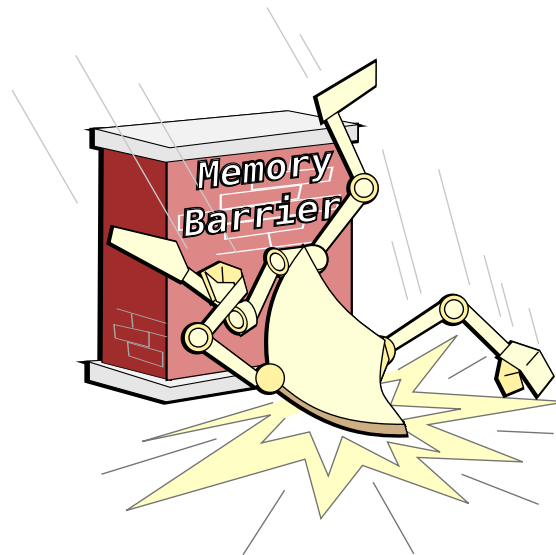


Figure 3.6: CPU Meets a Memory Barrier

storage, or (worse yet) human beings pose much greater obstacles than the internal obstacles called out in the prior sections, as illustrated by Figure 3.8.

This is one of the differences between shared-memory and distributed-system parallelism: shared-memory parallel programs must normally deal with no obstacle worse than a cache miss, while a distributed parallel program will typically incur the larger network communication latencies. In both cases, the relevant latencies can be thought of as a cost of communication—a cost that would be absent in a sequential program. Therefore, the ratio between the overhead of the communication to that of the actual work being performed is a key design parameter. A major goal of parallel hardware design is to reduce this ratio as needed to achieve the relevant performance and scalability goals. In turn, as will be seen in Chapter 6, a major goal of parallel software design is to reduce the frequency of expensive operations like communications cache misses.

Of course, it is one thing to say that a given operation is an obstacle, and quite another to show that the operation is a *significant* obstacle. This distinction is discussed in the following sections.

## 3.2 Overheads

This section presents actual overheads of the obstacles to performance listed out in the previous section. However, it is first necessary to get a rough view of hardware system architecture, which is the subject of the next section.

### 3.2.1 Hardware System Architecture

Figure 3.9 shows a rough schematic of an eight-core computer system. Each die has a pair of CPU cores, each with its cache, as well as an interconnect allowing the pair of



Figure 3.7: CPU Meets a Cache Miss

CPUs to communicate with each other. The system interconnect in the middle of the diagram allows the four dies to communicate, and also connects them to main memory.

Data moves through this system in units of “cache lines”, which are power-of-two fixed-size aligned blocks of memory, usually ranging from 32 to 256 bytes in size. When a CPU loads a variable from memory to one of its registers, it must first load the cacheline containing that variable into its cache. Similarly, when a CPU stores a value from one of its registers into memory, it must also load the cacheline containing that variable into its cache, but must also ensure that no other CPU has a copy of that cacheline.

For example, if CPU 0 were to perform a compare-and-swap (CAS) operation on a variable whose cacheline resided in CPU 7’s cache, the following over-simplified sequence of events might ensue:

1. CPU 0 checks its local cache, and does not find the cacheline.
2. The request is forwarded to CPU 0’s and 1’s interconnect, which checks CPU 1’s local cache, and does not find the cacheline.
3. The request is forwarded to the system interconnect, which checks with the other three dies, learning that the cacheline is held by the die containing CPU 6 and 7.
4. The request is forwarded to CPU 6’s and 7’s interconnect, which checks both CPUs’ caches, finding the value in CPU 7’s cache.

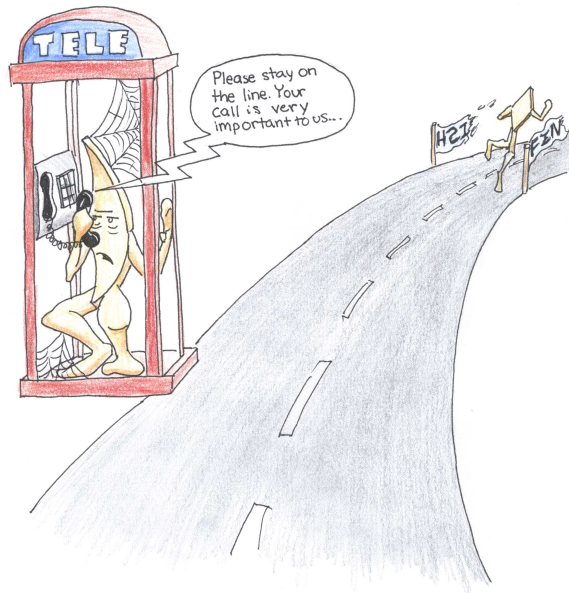


Figure 3.8: CPU Waits for I/O Completion

5. CPU 7 forwards the cacheline to its interconnect, and also flushes the cacheline from its cache.
6. CPU 6's and 7's interconnect forwards the cacheline to the system interconnect.
7. The system interconnect forwards the cacheline to CPU 0's and 1's interconnect.
8. CPU 0's and 1's interconnect forwards the cacheline to CPU 0's cache.
9. CPU 0 can now perform the CAS operation on the value in its cache.

**Quick Quiz 3.4:** This is a *simplified* sequence of events? How could it *possibly* be any more complex? ■

**Quick Quiz 3.5:** Why is it necessary to flush the cacheline from CPU 7's cache? ■

### 3.2.2 Costs of Operations

The overheads of some common operations important to parallel programs are displayed in Table 3.1. This system's clock period rounds to 0.6ns. Although it is not unusual for modern microprocessors to be able to retire multiple instructions per clock period, the operations will be normalized to a full clock period in the third column, labeled "Ratio". The first thing to note about this table is the large values of many of the ratios.

The best-case CAS operation consumes almost forty nanoseconds, a duration more than sixty times that of the clock period. Here, "best case" means that the same CPU now performing the CAS operation on a given variable was the last CPU to operate on this variable, so that the corresponding cache line is already held in that CPU's cache. Similarly, the best-case lock operation (a "round trip" pair consisting of a lock acquisition followed by a lock release) consumes more than sixty nanoseconds, or



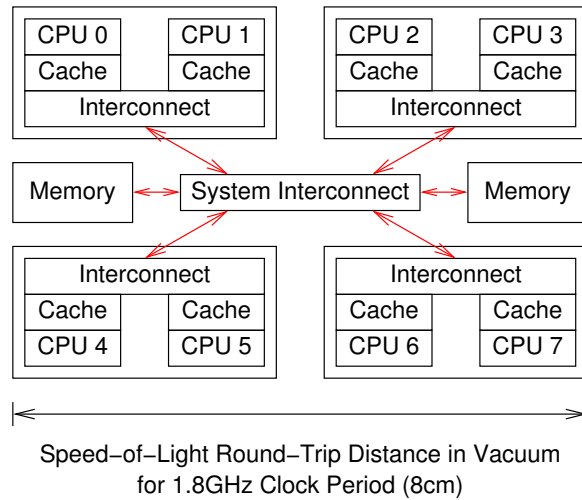


Figure 3.9: System Hardware Architecture

Operation	Cost (ns)	Ratio
Clock period	0.6	1.0
Best-case CAS	37.9	63.2
Best-case lock	65.6	109.3
Single cache miss	139.5	232.5
CAS cache miss	306.0	510.0
Comms Fabric	3,000	5,000
Global Comms	130,000,000	216,000,000

Table 3.1: Performance of Synchronization Mechanisms on 4-CPU 1.8GHz AMD Opteron 844 System

more than one hundred clock cycles. Again, “best case” means that the data structure representing the lock is already in the cache belonging to the CPU acquiring and releasing the lock. The lock operation is more expensive than CAS because it requires two atomic operations on the lock data structure.

An operation that misses the cache consumes almost one hundred and forty nanoseconds, or more than two hundred clock cycles. The code used for this cache-miss measurement passes the cache line back and forth between a pair of CPUs, so this cache miss is satisfied not from memory, but rather from the other CPU’s cache. A CAS operation, which must look at the old value of the variable as well as store a new value, consumes over three hundred nanoseconds, or more than five hundred clock cycles. Think about this a bit. In the time required to do *one* CAS operation, the CPU could have executed more than *five hundred* normal instructions. This should demonstrate the limitations not only of fine-grained locking, but of any other synchronization mechanism relying on fine-grained global agreement.

**Quick Quiz 3.6:** Surely the hardware designers could be persuaded to improve this situation! Why have they been content with such abysmal performance for these single-instruction operations? ■

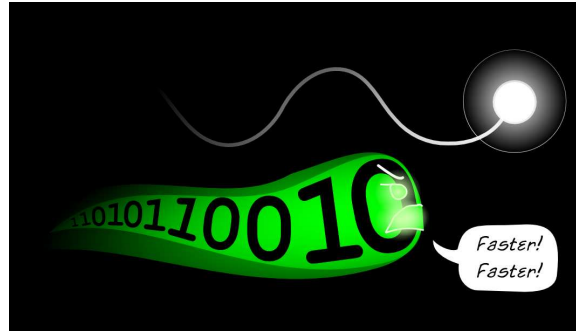


Figure 3.10: Hardware and Software: On Same Side

I/O operations are even more expensive. A high performance (and expensive!) communications fabric, such as InfiniBand or any number of proprietary interconnects, has a latency of roughly three microseconds, during which time five *thousand* instructions might have been executed. Standards-based communications networks often require some sort of protocol processing, which further increases the latency. Of course, geographic distance also increases latency, with the theoretical speed-of-light latency around the world coming to roughly 130 *milliseconds*, or more than 200 million clock cycles.

**Quick Quiz 3.7:** These numbers are insanely large! How can I possibly get my head around them? ■

In short, hardware and software engineers are really fighting on the same side, trying to make computers go fast despite the best efforts of the laws of physics, as fancifully depicted in Figure 3.10 where our data stream is trying its best to exceed the speed of light. The next section discusses some of the things that the hardware engineers might (or might not) be able to do. Software’s contribution to this fight is outlined in the remaining chapters of this book.

### 3.3 Hardware Free Lunch?

The major reason that concurrency has been receiving so much focus over the past few years is the end of Moore’s-Law induced single-threaded performance increases (or “free lunch” [Sut08]), as shown in Figure 2.1 on page 10. This section briefly surveys a few ways that hardware designers might be able to bring back some form of the “free lunch”.

However, the preceding section presented some substantial hardware obstacles to exploiting concurrency. One severe physical limitation that hardware designers face is the finite speed of light. As noted in Figure 3.9 on page 29, light can travel only about an 8-centimeters round trip in a vacuum during the duration of a 1.8 GHz clock period. This distance drops to about 3 centimeters for a 5 GHz clock. Both of these distances are relatively small compared to the size of a modern computer system.

To make matters even worse, electrons in silicon move from three to thirty times more slowly than does light in a vacuum, and common clocked logic constructs run still more slowly, for example, a memory reference may need to wait for a local cache lookup to complete before the request may be passed on to the rest of the system. Furthermore,

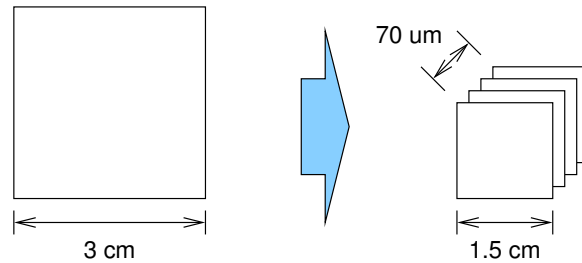


Figure 3.11: Latency Benefit of 3D Integration

relatively low speed and high power drivers are required to move electrical signals from one silicon die to another, for example, to communicate between a CPU and main memory.

**Quick Quiz 3.8:** But individual electrons don't move anywhere near that fast, even in conductors!!! The electron drift velocity in a conductor under the low voltages found in semiconductors is on the order of only one *millimeter* per second. What gives???

There are nevertheless some technologies (both hardware and software) that might help improve matters:

1. 3D integration,
2. Novel materials and processes,
3. Substituting light for electrons,
4. Special-purpose accelerators, and
5. Existing parallel software.

Each of these is described in one of the following sections.

### 3.3.1 3D Integration

3-dimensional integration (3DI) is the practice of bonding very thin silicon dies to each other in a vertical stack. This practice provides potential benefits, but also poses significant fabrication challenges [Kni08].

Perhaps the most important benefit of 3DI is decreased path length through the system, as shown in Figure 3.11. A 3-centimeter silicon die is replaced with a stack of four 1.5-centimeter dies, in theory decreasing the maximum path through the system by a factor of two, keeping in mind that each layer is quite thin. In addition, given proper attention to design and placement, long horizontal electrical connections (which are both slow and power hungry) can be replaced by short vertical electrical connections, which are both faster and more power efficient.

However, delays due to levels of clocked logic will not be decreased by 3D integration, and significant manufacturing, testing, power-supply, and heat-dissipation problems must be solved for 3D integration to reach production while still delivering on its promise. The heat-dissipation problems might be solved using semiconductors based on diamond, which is a good conductor for heat, but an electrical insulator. That said, it remains difficult to grow large single diamond crystals, to say nothing of slicing them

into wafers. In addition, it seems unlikely that any of these technologies will be able to deliver the exponential increases to which some people have become accustomed. That said, they may be necessary steps on the path to the late Jim Gray's "smoking hairy golf balls" [Gra02].

### **3.3.2 Novel Materials and Processes**

Stephen Hawking is said to have claimed that semiconductor manufacturers have but two fundamental problems: (1) the finite speed of light and (2) the atomic nature of matter [Gar07]. It is possible that semiconductor manufacturers are approaching these limits, but there are nevertheless a few avenues of research and development focused on working around these fundamental limits.

One workaround for the atomic nature of matter are so-called "high-K dielectric" materials, which allow larger devices to mimic the electrical properties of infeasibly small devices. These materials pose some severe fabrication challenges, but nevertheless may help push the frontiers out a bit farther. Another more-exotic workaround stores multiple bits in a single electron, relying on the fact that a given electron can exist at a number of energy levels. It remains to be seen if this particular approach can be made to work reliably in production semiconductor devices.

Another proposed workaround is the "quantum dot" approach that allows much smaller device sizes, but which is still in the research stage.

### **3.3.3 Light, Not Electrons**

Although the speed of light would be a hard limit, the fact is that semiconductor devices are limited by the speed of electrons rather than that of light, given that electrons in semiconductor materials move at between 3% and 30% of the speed of light in a vacuum. The use of copper connections on silicon devices is one way to increase the speed of electrons, and it is quite possible that additional advances will push closer still to the actual speed of light. In addition, there have been some experiments with tiny optical fibers as interconnects within and between chips, based on the fact that the speed of light in glass is more than 60% of the speed of light in a vacuum. One obstacle to such optical fibers is the inefficiency conversion between electricity and light and vice versa, resulting in both power-consumption and heat-dissipation problems.

That said, absent some fundamental advances in the field of physics, any exponential increases in the speed of data flow will be sharply limited by the actual speed of light in a vacuum.

### **3.3.4 Special-Purpose Accelerators**

A general-purpose CPU working on a specialized problem is often spending significant time and energy doing work that is only tangentially related to the problem at hand. For example, when taking the dot product of a pair of vectors, a general-purpose CPU will normally use a loop (possibly unrolled) with a loop counter. Decoding the instructions, incrementing the loop counter, testing this counter, and branching back to the top of the loop are in some sense wasted effort: the real goal is instead to multiply corresponding elements of the two vectors. Therefore, a specialized piece of hardware designed specifically to multiply vectors could get the job done more quickly and with less energy consumed.

This is in fact the motivation for the vector instructions present in many commodity microprocessors. Because these instructions operate on multiple data items simultaneously, they would permit a dot product to be computed with less instruction-decode and loop overhead.

Similarly, specialized hardware can more efficiently encrypt and decrypt, compress and decompress, encode and decode, and many other tasks besides. Unfortunately, this efficiency does not come for free. A computer system incorporating this specialized hardware will contain more transistors, which will consume some power even when not in use. Software must be modified to take advantage of this specialized hardware, and this specialized hardware must be sufficiently generally useful that the high up-front hardware-design costs can be spread over enough users to make the specialized hardware affordable. In part due to these sorts of economic considerations, specialized hardware has thus far appeared only for a few application areas, including graphics processing (GPUs), vector processors (MMX, SSE, and VMX instructions), and, to a lesser extent, encryption.

Unlike the server and PC arena, smartphones have long used a wide variety of hardware accelerators. These hardware accelerators are often used for media decoding, so much so that a high-end MP3 player might be able to play audio for several minutes—with its CPU fully powered off the entire time. The purpose of these accelerators is to improve energy efficiency and thus extend battery life: special purpose hardware can often compute more efficiently than can a general-purpose CPU. This is another example of the principle called out in Section 2.2.3: Generality is almost never free.

Nevertheless, given the end of Moore's-Law-induced single-threaded performance increases, it seems safe to predict that there will be an increasing variety of special-purpose hardware going forward.

### **3.3.5 Existing Parallel Software**

Although multicore CPUs seem to have taken the computing industry by surprise, the fact remains that shared-memory parallel computer systems have been commercially available for more than a quarter century. This is more than enough time for significant parallel software to make its appearance, and it indeed has. Parallel operating systems are quite commonplace, as are parallel threading libraries, parallel relational database management systems, and parallel numerical software. Use of existing parallel software can go a long ways towards solving any parallel-software crisis we might encounter.

Perhaps the most common example is the parallel relational database management system. It is not unusual for single-threaded programs, often written in high-level scripting languages, to access a central relational database concurrently. In the resulting highly parallel system, only the database need actually deal directly with parallelism. A very nice trick when it works!

## **3.4 Software Design Implications**

The values of the ratios in Table 3.1 are critically important, as they limit the efficiency of a given parallel application. To see this, suppose that the parallel application uses CAS operations to communicate among threads. These CAS operations will typically involve a cache miss, that is, assuming that the threads are communicating primarily with each other rather than with themselves. Suppose further that the unit of work corresponding to each CAS communication operation takes 300ns, which is sufficient

time to compute several floating-point transcendental functions. Then about half of the execution time will be consumed by the CAS communication operations! This in turn means that a two-CPU system running such a parallel program would run no faster than one a sequential implementation running on a single CPU.

The situation is even worse in the distributed-system case, where the latency of a single communications operation might take as long as thousands or even millions of floating-point operations. This illustrates how important it is for communications operations to be extremely infrequent and to enable very large quantities of processing.

**Quick Quiz 3.9:** Given that distributed-systems communication is so horribly expensive, why does anyone bother with them? ■

The lesson should be quite clear: parallel algorithms must be explicitly designed to run nearly independent threads. The less frequently the threads communicate, whether by atomic operations, locks, or explicit messages, the better the application's performance and scalability will be. In short, achieving excellent parallel performance and scalability means striving for embarrassingly parallel algorithms and implementations, whether by careful choice of data structures and algorithms, use of existing parallel applications and environments, or transforming the problem into one for which an embarrassingly parallel solution exists.

**Quick Quiz 3.10:** OK, if we are going to have to apply distributed-programming techniques to shared-memory parallel programs, why not just always use these distributed techniques and dispense with shared memory? ■

So, to sum up:

1. The good news is that multicore systems are inexpensive and readily available.
2. More good news: The overhead of many synchronization operations is much lower than it was on parallel systems from the early 2000s.
3. The bad news is that the overhead of cache misses is still high, especially on large systems.

The remainder of this book describes ways of handling this bad news.

In particular, Chapter 4 will cover some of the low-level tools used for parallel programming, Chapter 5 will investigate problems and solutions to parallel counting, and Chapter 6 will discuss design disciplines that promote performance and scalability.

## Chapter 4

# Tools of the Trade

This chapter provides a brief introduction to some basic tools of the parallel-programming trade, focusing mainly on those available to user applications running on operating systems similar to Linux. Section 4.1 begins with scripting languages, Section 4.2 describes the multi-process parallelism supported by the POSIX API, Section 4.2 touches on POSIX threads, and finally, Section 4.3 describes atomic operations.

Please note that this chapter provides but a brief introduction. More detail is available from the references cited, and more information on how best to use these tools will be provided in later chapters.

### 4.1 Scripting Languages

The Linux shell scripting languages provide simple but effective ways of managing parallelism. For example, suppose that you had a program `compute_it` that you needed to run twice with two different sets of arguments. This can be accomplished using UNIX shell scripting as follows:

```
1 compute_it 1 > compute_it.1.out &
2 compute_it 2 > compute_it.2.out &
3 wait
4 cat compute_it.1.out
5 cat compute_it.2.out
```

Lines 1 and 2 launch two instances of this program, redirecting their output to two separate files, with the `&` character directing the shell to run the two instances of the program in the background. Line 3 waits for both instances to complete, and lines 4 and 5 display their output. The resulting execution is as shown in Figure 4.1: the two instances of `compute_it` execute in parallel, `wait` completes after both of them do, and then the two instances of `cat` execute sequentially.

**Quick Quiz 4.1:** But this silly shell script isn't a *real* parallel program! Why bother with such trivia???

**Quick Quiz 4.2:** Is there a simpler way to create a parallel shell script? If so, how? If not, why not?

For another example, the `make` software-build scripting language provides a `-j` option that specifies how much parallelism should be introduced into the build process. For example, typing `make -j4` when building a Linux kernel specifies that up to four parallel compiles be carried out concurrently.

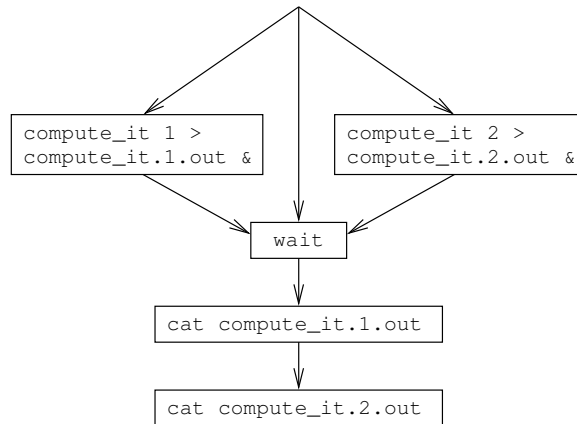


Figure 4.1: Execution Diagram for Parallel Shell Execution

It is hoped that these simple examples convince you that parallel programming need not always be complex or difficult.

**Quick Quiz 4.3:** But if script-based parallel programming is so easy, why bother with anything else? ■

## 4.2 POSIX Multiprocessing

This section scratches the surface of the POSIX environment, including pthreads [Ope97], as this environment is readily available and widely implemented. Section 4.2.1 provides a glimpse of the POSIX `fork()` and related primitives, Section 4.2.2 touches on thread creation and destruction, Section 4.2.3 gives a brief overview of POSIX locking, and, finally, Section 4.4 presents the analogous operations within the Linux kernel.

### 4.2.1 POSIX Process Creation and Destruction

Processes are created using the `fork()` primitive, they may be destroyed using the `kill()` primitive, they may destroy themselves using the `exit()` primitive. A process executing a `fork()` primitive is said to be the “parent” of the newly created process. A parent may wait on its children using the `wait()` primitive.

Please note that the examples in this section are quite simple. Real-world applications using these primitives might need to manipulate signals, file descriptors, shared memory segments, and any number of other resources. In addition, some applications need to take specific actions if a given child terminates, and might also need to be concerned with the reason that the child terminated. These concerns can of course add substantial complexity to the code. For more information, see any of a number of textbooks on the subject [Ste92].

If `fork()` succeeds, it returns twice, once for the parent and again for the child. The value returned from `fork()` allows the caller to tell the difference, as shown in Figure 4.2 (`forkjoin.c`). Line 1 executes the `fork()` primitive, and saves its return value in local variable `pid`. Line 2 checks to see if `pid` is zero, in which case, this is the child, which continues on to execute line 3. As noted earlier, the child may terminate via



```

1 pid = fork();
2 if (pid == 0) {
3     /* child */
4 } else if (pid < 0) {
5     /* parent, upon error */
6     perror("fork");
7     exit(-1);
8 } else {
9     /* parent, pid == child ID */
10 }

```

Figure 4.2: Using the `fork()` Primitive

```

1 void waitall(void)
2 {
3     int pid;
4     int status;
5
6     for (;;) {
7         pid = wait(&status);
8         if (pid == -1) {
9             if (errno == ECHILD)
10                break;
11                perror("wait");
12                exit(-1);
13            }
14        }
15    }

```

Figure 4.3: Using the `wait()` Primitive

the `exit()` primitive. Otherwise, this is the parent, which checks for an error return from the `fork()` primitive on line 4, and prints an error and exits on lines 5-7 if so. Otherwise, the `fork()` has executed successfully, and the parent therefore executes line 9 with the variable `pid` containing the process ID of the child.

The parent process may use the `wait()` primitive to wait for its children to complete. However, use of this primitive is a bit more complicated than its shell-script counterpart, as each invocation of `wait()` waits for but one child process. It is therefore customary to wrap `wait()` into a function similar to the `waitall()` function shown in Figure 4.3 (`api-pthread.h`), with this `waitall()` function having semantics similar to the shell-script `wait` command. Each pass through the loop spanning lines 6-15 waits on one child process. Line 7 invokes the `wait()` primitive, which blocks until a child process exits, and returns that child's process ID. If the process ID is instead -1, this indicates that the `wait()` primitive was unable to wait on a child. If so, line 9 checks for the `ECHILD` `errno`, which indicates that there are no more child processes, so that line 10 exits the loop. Otherwise, lines 11 and 12 print an error and exit.

**Quick Quiz 4.4:** Why does this `wait()` primitive need to be so complicated? Why not just make it work like the shell-script `wait` does? ■

It is critically important to note that the parent and child do *not* share memory. This is illustrated by the program shown in Figure 4.4 (`forkjoinvar.c`), in which the child sets a global variable `x` to 1 on line 6, prints a message on line 7, and exits on line 8. The parent continues at line 14, where it waits on the child, and on line 15 finds that its copy of the variable `x` is still zero. The output is thus as follows:

```

Child process set x=1
Parent process sees x=0

```

```

1 int x = 0;
2 int pid;
3
4 pid = fork();
5 if (pid == 0) { /* child */
6     x = 1;
7     printf("Child process set x=1\n");
8     exit(0);
9 }
10 if (pid < 0) { /* parent, upon error */
11     perror("fork");
12     exit(-1);
13 }
14 waitall();
15 printf("Parent process sees x=%d\n", x);

```

Figure 4.4: Processes Created Via `fork()` Do Not Share Memory

```

1 int x = 0;
2
3 void *mythread(void *arg)
4 {
5     x = 1;
6     printf("Child process set x=1\n");
7     return NULL;
8 }
9
10 int main(int argc, char *argv[])
11 {
12     pthread_t tid;
13     void *vp;
14
15     if (pthread_create(&tid, NULL,
16                     mythread, NULL) != 0) {
17         perror("pthread_create");
18         exit(-1);
19     }
20     if (pthread_join(tid, &vp) != 0) {
21         perror("pthread_join");
22         exit(-1);
23     }
24     printf("Parent process sees x=%d\n", x);
25     return 0;
26 }

```

Figure 4.5: Threads Created Via `pthread_create()` Share Memory

**Quick Quiz 4.5:** Isn't there a lot more to `fork()` and `wait()` than discussed here? ■

The finest-grained parallelism requires shared memory, and this is covered in Section 4.2.2. That said, shared-memory parallelism can be significantly more complex than fork-join parallelism.

## 4.2.2 POSIX Thread Creation and Destruction

To create a thread within an existing process, invoke the `pthread_create()` primitive, for example, as shown on lines 15 and 16 of Figure 4.5 (`pcreate.c`). The first argument is a pointer to a `pthread_t` in which to store the ID of the thread to be created, the second `NULL` argument is a pointer to an optional `pthread_attr_t`, the third argument is the function (in this case, `mythread()`) that is to be invoked

by the new thread, and the last `NULL` argument is the argument that will be passed to `mythread`.

In this example, `mythread()` simply returns, but it could instead call `pthread_exit()`.

**Quick Quiz 4.6:** If the `mythread()` function in Figure 4.5 can simply return, why bother with `pthread_exit()`? ■

The `pthread_join()` primitive, shown on line 20, is analogous to the fork-join `wait()` primitive. It blocks until the thread specified by the `tid` variable completes execution, either by invoking `pthread_exit()` or by returning from the thread's top-level function. The thread's exit value will be stored through the pointer passed as the second argument to `pthread_join()`. The thread's exit value is either the value passed to `pthread_exit()` or the value returned by the thread's top-level function, depending on how the thread in question exits.

The program shown in Figure 4.5 produces output as follows, demonstrating that memory is in fact shared between the two threads:

```
Child process set x=1
Parent process sees x=1
```

Note that this program carefully makes sure that only one of the threads stores a value to variable `x` at a time. Any situation in which one thread might be storing a value to a given variable while some other thread either loads from or stores to that same variable is termed a “data race”. Because the C language makes no guarantee that the results of a data race will be in any way reasonable, we need some way of safely accessing and modifying data concurrently, such as the locking primitives discussed in the following section.

**Quick Quiz 4.7:** If the C language makes no guarantees in presence of a data race, then why does the Linux kernel have so many data races? Are you trying to tell me that the Linux kernel is completely broken??? ■

### 4.2.3 POSIX Locking

The POSIX standard allows the programmer to avoid data races via “POSIX locking”. POSIX locking features a number of primitives, the most fundamental of which are `pthread_mutex_lock()` and `pthread_mutex_unlock()`. These primitives operate on locks, which are of type `pthread_mutex_t`. These locks may be declared statically and initialized with `PTHREAD_MUTEX_INITIALIZER`, or they may be allocated dynamically and initialized using the `pthread_mutex_init()` primitive. The demonstration code in this section will take the former course.

The `pthread_mutex_lock()` primitive “acquires” the specified lock, and the `pthread_mutex_unlock()` “releases” the specified lock. Because these are “exclusive” locking primitives, only one thread at a time may “hold” a given lock at a given time. For example, if a pair of threads attempt to acquire the same lock concurrently, one of the pair will be “granted” the lock first, and the other will wait until the first thread releases the lock.

**Quick Quiz 4.8:** What if I want several threads to hold the same lock at the same time? ■

This exclusive-locking property is demonstrated using the code shown in Figure 4.6 (`lock.c`). Line 1 defines and initializes a POSIX lock named `lock_a`, while line 2 similarly defines and initializes a lock named `lock_b`. Line 3 defines and initializes a shared variable `x`.

```

1 pthread_mutex_t lock_a = PTHREAD_MUTEX_INITIALIZER;
2 pthread_mutex_t lock_b = PTHREAD_MUTEX_INITIALIZER;
3 int x = 0;
4
5 void *lock_reader(void *arg)
6 {
7     int i;
8     int newx = -1;
9     int oldx = -1;
10    pthread_mutex_t *pmlp = (pthread_mutex_t *)arg;
11
12    if (pthread_mutex_lock(pmlp) != 0) {
13        perror("lock_reader:pthread_mutex_lock");
14        exit(-1);
15    }
16    for (i = 0; i < 100; i++) {
17        newx = ACCESS_ONCE(x);
18        if (newx != oldx) {
19            printf("lock_reader(): x = %d\n", newx);
20        }
21        oldx = newx;
22        poll(NULL, 0, 1);
23    }
24    if (pthread_mutex_unlock(pmlp) != 0) {
25        perror("lock_reader:pthread_mutex_unlock");
26        exit(-1);
27    }
28    return NULL;
29 }
30
31 void *lock_writer(void *arg)
32 {
33     int i;
34     pthread_mutex_t *pmlp = (pthread_mutex_t *)arg;
35
36     if (pthread_mutex_lock(pmlp) != 0) {
37         perror("lock_reader:pthread_mutex_lock");
38         exit(-1);
39     }
40     for (i = 0; i < 3; i++) {
41         ACCESS_ONCE(x)++;
42         poll(NULL, 0, 5);
43     }
44     if (pthread_mutex_unlock(pmlp) != 0) {
45         perror("lock_reader:pthread_mutex_unlock");
46         exit(-1);
47     }
48     return NULL;
49 }

```

Figure 4.6: Demonstration of Exclusive Locks

```

1  printf("Creating two threads using same lock:\n");
2  if (pthread_create(&tid1, NULL,
3                   lock_reader, &lock_a) != 0) {
4      perror("pthread_create");
5      exit(-1);
6  }
7  if (pthread_create(&tid2, NULL,
8                   lock_writer, &lock_a) != 0) {
9      perror("pthread_create");
10     exit(-1);
11 }
12 if (pthread_join(tid1, &vp) != 0) {
13     perror("pthread_join");
14     exit(-1);
15 }
16 if (pthread_join(tid2, &vp) != 0) {
17     perror("pthread_join");
18     exit(-1);
19 }

```

Figure 4.7: Demonstration of Same Exclusive Lock

Lines 5-28 defines a function `lock_reader()` which repeatedly reads the shared variable `x` while holding the lock specified by `arg`. Line 10 casts `arg` to a pointer to a `pthread_mutex_t`, as required by the `pthread_mutex_lock()` and `pthread_mutex_unlock()` primitives.

**Quick Quiz 4.9:** Why not simply make the argument to `lock_reader()` on line 5 of Figure 4.6 be a pointer to a `pthread_mutex_t`? ■

Lines 12-15 acquire the specified `pthread_mutex_t`, checking for errors and exiting the program if any occur. Lines 16-23 repeatedly check the value of `x`, printing the new value each time that it changes. Line 22 sleeps for one millisecond, which allows this demonstration to run nicely on a uniprocessor machine. Line 24-27 release the `pthread_mutex_t`, again checking for errors and exiting the program if any occur. Finally, line 28 returns `NULL`, again to match the function type required by `pthread_create()`.

**Quick Quiz 4.10:** Writing four lines of code for each acquisition and release of a `pthread_mutex_t` sure seems painful! Isn't there a better way? ■

Lines 31-49 of Figure 4.6 shows `lock_writer()`, which periodically update the shared variable `x` while holding the specified `pthread_mutex_t`. As with `lock_reader()`, line 34 casts `arg` to a pointer to `pthread_mutex_t`, lines 36-39 acquires the specified lock, and lines 44-47 releases it. While holding the lock, lines 40-43 increment the shared variable `x`, sleeping for five milliseconds between each increment. Finally, lines 44-47 release the lock.

Figure 4.7 shows a code fragment that runs `lock_reader()` and `lock_writer()` as thread using the same lock, namely, `lock_a`. Lines 2-6 create a thread running `lock_reader()`, and then Lines 7-11 create a thread running `lock_writer()`. Lines 12-19 wait for both threads to complete. The output of this code fragment is as follows:

```

Creating two threads using same lock:
lock_reader(): x = 0

```

Because both threads are using the same lock, the `lock_reader()` thread cannot see any of the intermediate values of `x` produced by `lock_writer()` while holding the lock.

**Quick Quiz 4.11:** Is “`x = 0`” the only possible output from the code fragment shown

```

1  printf("Creating two threads w/different locks:\n");
2  x = 0;
3  if (pthread_create(&tid1, NULL,
4                    lock_reader, &lock_a) != 0) {
5      perror("pthread_create");
6      exit(-1);
7  }
8  if (pthread_create(&tid2, NULL,
9                    lock_writer, &lock_b) != 0) {
10     perror("pthread_create");
11     exit(-1);
12 }
13 if (pthread_join(tid1, &vp) != 0) {
14     perror("pthread_join");
15     exit(-1);
16 }
17 if (pthread_join(tid2, &vp) != 0) {
18     perror("pthread_join");
19     exit(-1);
20 }

```

Figure 4.8: Demonstration of Different Exclusive Locks

in Figure 4.7? If so, why? If not, what other output could appear, and why? ■

Figure 4.8 shows a similar code fragment, but this time using different locks: `lock_a` for `lock_reader()` and `lock_b` for `lock_writer()`. The output of this code fragment is as follows:

```

Creating two threads w/different locks:
lock_reader(): x = 0
lock_reader(): x = 1
lock_reader(): x = 2
lock_reader(): x = 3

```

Because the two threads are using different locks, they do not exclude each other, and can run concurrently. The `lock_reader()` function can therefore see the intermediate values of `x` stored by `lock_writer()`.

**Quick Quiz 4.12:** Using different locks could cause quite a bit of confusion, what with threads seeing each others' intermediate states. So should well-written parallel programs restrict themselves to using a single lock in order to avoid this kind of confusion? ■

**Quick Quiz 4.13:** In the code shown in Figure 4.8, is `lock_reader()` guaranteed to see all the values produced by `lock_writer()`? Why or why not? ■

**Quick Quiz 4.14:** Wait a minute here!!! Figure 4.7 didn't initialize shared variable `x`, so why does it need to be initialized in Figure 4.8? ■

Although there is quite a bit more to POSIX exclusive locking, these primitives provide a good start and are in fact sufficient in a great many situations. The next section takes a brief look at POSIX reader-writer locking.

## 4.2.4 POSIX Reader-Writer Locking

The POSIX API provides a reader-writer lock, which is represented by a `pthread_rwlock_t`. As with `pthread_mutex_t`, `pthread_rwlock_t` may be statically initialized via `PTHREAD_RWLOCK_INITIALIZER` or dynamically initialized via the `pthread_rwlock_init()` primitive. The `pthread_rwlock_rdlock()` primitive read-acquires the specified `pthread_rwlock_t`, the `pthread_rwlock_wrlock()` primitive write-acquires it, and the `pthread_rwlock_unlock()` prim-

```

1 pthread_rwlock_t rwl = PTHREAD_RWLOCK_INITIALIZER;
2 int holdtime = 0;
3 int thinktime = 0;
4 long long *readcounts;
5 int nreadersrunning = 0;
6
7 #define GOFLAG_INIT 0
8 #define GOFLAG_RUN 1
9 #define GOFLAG_STOP 2
10 char goflag = GOFLAG_INIT;
11
12 void *reader(void *arg)
13 {
14     int i;
15     long long loopcnt = 0;
16     long me = (long)arg;
17
18     __sync_fetch_and_add(&nreadersrunning, 1);
19     while (ACCESS_ONCE(goflag) == GOFLAG_INIT) {
20         continue;
21     }
22     while (ACCESS_ONCE(goflag) == GOFLAG_RUN) {
23         if (pthread_rwlock_rdlock(&rwl) != 0) {
24             perror("pthread_rwlock_rdlock");
25             exit(-1);
26         }
27         for (i = 1; i < holdtime; i++) {
28             barrier();
29         }
30         if (pthread_rwlock_unlock(&rwl) != 0) {
31             perror("pthread_rwlock_unlock");
32             exit(-1);
33         }
34         for (i = 1; i < thinktime; i++) {
35             barrier();
36         }
37         loopcnt++;
38     }
39     readcounts[me] = loopcnt;
40     return NULL;
41 }

```

Figure 4.9: Measuring Reader-Writer Lock Scalability

itive releases it. Only a single thread may write-hold a given `pthread_rwlock_t` at any given time, but multiple threads may read-hold a given `pthread_rwlock_t`, at least while there is no thread currently write-holding it.

As you might expect, reader-writer locks are designed for read-mostly situations. In these situations, a reader-writer lock can provide greater scalability than can an exclusive lock because the exclusive lock is by definition limited to a single thread holding the lock at any given time, while the reader-writer lock permits an arbitrarily large number of readers to concurrently hold the lock. However, in practice, we need to know how much additional scalability is provided by reader-writer locks.

Figure 4.9 (`rwlockscale.c`) shows one way of measuring reader-writer lock scalability. Line 1 shows the definition and initialization of the reader-writer lock, line 2 shows the `holdtime` argument controlling the time each thread holds the reader-writer lock, line 3 shows the `thinktime` argument controlling the time between the release of the reader-writer lock and the next acquisition, line 4 defines the `readcounts` array into which each reader thread places the number of times it acquired the lock, and line 5 defines the `nreadersrunning` variable, which determines when all reader threads have started running.

Lines 7-10 define `goflag`, which synchronizes the start and the end of the test.

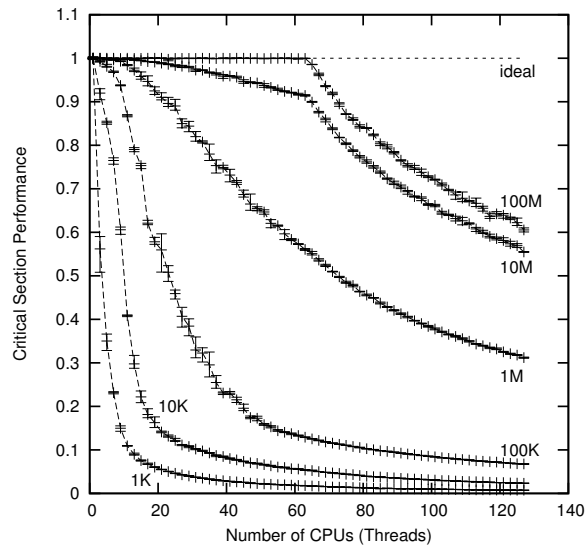


Figure 4.10: Reader-Writer Lock Scalability

This variable is initially set to `GOFLAG_INIT`, then set to `GOFLAG_RUN` after all the reader threads have started, and finally set to `GOFLAG_STOP` to terminate the test run.

Lines 12-41 define `reader()`, which is the reader thread. Line 18 atomically increments the `nreadersrunning` variable to indicate that this thread is now running, and lines 19-21 wait for the test to start. The `ACCESS_ONCE()` primitive forces the compiler to fetch `goflag` on each pass through the loop—the compiler would otherwise be within its rights to assume that the value of `goflag` would never change.

**Quick Quiz 4.15:** Instead of using `ACCESS_ONCE()` everywhere, why not just declare `goflag` as `volatile` on line 10 of Figure 4.9? ■

**Quick Quiz 4.16:** `ACCESS_ONCE()` only affects the compiler, not the CPU. Don't we also need memory barriers to make sure that the change in `goflag`'s value propagates to the CPU in a timely fashion in Figure 4.9? ■

**Quick Quiz 4.17:** Would it ever be necessary to use `ACCESS_ONCE()` when accessing a per-thread variable, for example, a variable declared using the `gcc __thread` storage class? ■

The loop spanning lines 22-38 carries out the performance test. Lines 23-26 acquire the lock, lines 27-29 hold the lock for the specified duration (and the `barrier()` directive prevents the compiler from optimizing the loop out of existence), lines 30-33 release the lock, and lines 34-36 wait for the specified duration before re-acquiring the lock. Line 37 counts this lock acquisition.

Line 39 moves the lock-acquisition count to this thread's element of the `readcounts[]` array, and line 40 returns, terminating this thread.

Figure 4.10 shows the results of running this test on a 64-core Power-5 system with two hardware threads per core for a total of 128 software-visible CPUs. The `thinktime` parameter was zero for all these tests, and the `holdtime` parameter set to values ranging from one thousand ("1K" on the graph) to 100 million ("100M" on



the graph). The actual value plotted is:

$$\frac{L_N}{NL_1} \quad (4.1)$$

where  $N$  is the number of threads,  $L_N$  is the number of lock acquisitions by  $N$  threads, and  $L_1$  is the number of lock acquisitions by a single thread. Given ideal hardware and software scalability, this value will always be 1.0.

As can be seen in the figure, reader-writer locking scalability is decidedly non-ideal, especially for smaller sizes of critical sections. To see why read-acquisition can be so slow, consider that all the acquiring threads must update the `pthread_rwlock_t` data structure. Therefore, if all 128 executing threads attempt to read-acquire the reader-writer lock concurrently, they must update this underlying `pthread_rwlock_t` one at a time. One lucky thread might do so almost immediately, but the least-lucky thread must wait for all the other 127 threads to do their updates. This situation will only get worse as you add CPUs.

**Quick Quiz 4.18:** Isn't comparing against single-CPU throughput a bit harsh? ■

**Quick Quiz 4.19:** But 1,000 instructions is not a particularly small size for a critical section. What do I do if I need a much smaller critical section, for example, one containing only a few tens of instructions? ■

**Quick Quiz 4.20:** In Figure 4.10, all of the traces other than the 100M trace deviate gently from the ideal line. In contrast, the 100M trace breaks sharply from the ideal line at 64 CPUs. In addition, the spacing between the 100M trace and the 10M trace is much smaller than that between the 10M trace and the 1M trace. Why does the 100M trace behave so much differently than the other traces? ■

**Quick Quiz 4.21:** Power-5 is several years old, and new hardware should be faster. So why should anyone worry about reader-writer locks being slow? ■

Despite these limitations, reader-writer locking is quite useful in many cases, for example when the readers must do high-latency file or network I/O. There are alternatives, some of which will be presented in Chapters 5 and 9.

### 4.3 Atomic Operations

Given that Figure 4.10 shows that the overhead of reader-writer locking is most severe for the smallest critical sections, it would be nice to have some other way to protect the tiniest of critical sections. One such way are atomic operations. We have seen one atomic operations already, in the form of the `__sync_fetch_and_add()` primitive on line 18 of Figure 4.9. This primitive atomically adds the value of its second argument to the value referenced by its first argument, returning the old value (which was ignored in this case). If a pair of threads concurrently execute `__sync_fetch_and_add()` on the same variable, the resulting value of the variable will include the result of both additions.

The `gcc` compiler offers a number of additional atomic operations, including `__sync_fetch_and_sub()`, `__sync_fetch_and_or()`, `__sync_fetch_and_and()`, `__sync_fetch_and_xor()`, and `__sync_fetch_and_nand()`, all of which return the old value. If you instead need the new value, you can instead use the `__sync_add_and_fetch()`, `__sync_sub_and_fetch()`, `__sync_or_and_fetch()`, `__sync_and_and_fetch()`, `__sync_xor_and_fetch()`, and `__sync_nand_and_fetch()` primitives.

**Quick Quiz 4.22:** Is it really necessary to have both sets of primitives? ■

The classic compare-and-swap operation is provided by a pair of primitives, `__sync_bool_compare_and_swap()` and `__sync_val_compare_and_swap()`. Both of these primitive atomically update a location to a new value, but only if its prior value was equal to the specified old value. The first variant returns 1 if the operation succeeded and 0 if it failed, for example, if the prior value was not equal to the specified old value. The second variant returns the prior value of the location, which, if equal to the specified old value, indicates that the operation succeeded. Either of the compare-and-swap operation is “universal” in the sense that any atomic operation on a single location can be implemented in terms of compare-and-swap, though the earlier operations are often more efficient where they apply. The compare-and-swap operation is also capable of serving as the basis for a wider set of atomic operations, though the more elaborate of these often suffer from complexity, scalability, and performance problems [Her90].

The `__sync_synchronize()` primitive issues a “memory barrier”, which constrains both the compiler’s and the CPU’s ability to reorder operations, as discussed in Section 14.2. In some cases, it is sufficient to constrain the compiler’s ability to reorder operations, while allowing the CPU free rein, in which case the `barrier()` primitive may be used, as it in fact was on line 28 of Figure 4.9. In some cases, it is only necessary to ensure that the compiler avoids optimizing away a given memory access, in which case the `ACCESS_ONCE()` primitive may be used, as it was on line 17 of Figure 4.6. These last two primitives are not provided directly by gcc, but may be implemented straightforwardly as follows:

```
#define ACCESS_ONCE(x) (*(volatile typeof(x) *)&(x))
#define barrier() __asm__ __volatile__(": : :memory")
```

**Quick Quiz 4.23:** Given that these atomic operations will often be able to generate single atomic instructions that are directly supported by the underlying instruction set, shouldn’t they be the fastest possible way to get things done? ■

## 4.4 Linux-Kernel Equivalents to POSIX Operations

Unfortunately, threading operations, locking primitives, and atomic operations were in reasonably wide use long before the various standards committees got around to them. As a result, there is considerable variation in how these operations are supported. It is still quite common to find these operations implemented in assembly language, either for historical reasons or to obtain better performance in specialized circumstances. For example, the gcc `__sync_` family of primitives all provide memory-ordering semantics, motivating many developers to create their own implementations for situations where the memory ordering semantics are not required.

Therefore, Table 4.1 on page 47 provides a rough mapping between the POSIX and gcc primitives to those used in the Linux kernel. Exact mappings are not always available, for example, the Linux kernel has a wide variety of locking primitives, while gcc has a number of atomic operations that are not directly available in the Linux kernel. Of course, on the one hand, user-level code does not need the Linux kernel’s wide array of locking primitives, while on the other hand, gcc’s atomic operations can be emulated reasonably straightforwardly using `cmpxchg()`.

**Quick Quiz 4.24:** What happened to the Linux-kernel equivalents to `fork()` and `join()`? ■

Category	POSIX	Linux Kernel
Thread Management	pthread_t	struct task_struct
	pthread_create()	kthread_create
	pthread_exit()	kthread_should_stop() (rough)
	pthread_join()	kthread_stop() (rough)
	poll(NULL, 0, 5)	schedule_timeout_interruptible()
POSIX Locking	pthread_mutex_t	spinlock_t (rough) struct mutex
	PTHREAD_MUTEX_INITIALIZER	DEFINE_SPINLOCK() DEFINE_MUTEX()
	pthread_mutex_lock()	spin_lock() (and friends) mutex_lock() (and friends)
	pthread_mutex_unlock()	spin_unlock() (and friends) mutex_unlock()
POSIX Reader-Writer Locking	pthread_rwlock_t	rwlock_t (rough) struct rw_semaphore
	PTHREAD_RWLOCK_INITIALIZER	DEFINE_RWLOCK() DECLARE_RWSEM()
	pthread_rwlock_rdlock()	read_lock() (and friends) down_read() (and friends)
	pthread_rwlock_unlock()	read_unlock() (and friends) up_read()
	pthread_rwlock_wrlock()	write_lock() (and friends) down_write() (and friends)
	pthread_rwlock_unlock()	write_unlock() (and friends) up_write()
Atomic Operations	C Scalar Types	atomic_t atomic64_t
	__sync_fetch_and_add()	atomic_add_return() atomic64_add_return()
	__sync_fetch_and_sub()	atomic_sub_return() atomic64_sub_return()
	__sync_val_compare_and_swap()	cmpxchg()
	__sync_lock_test_and_set()	xchg() (rough)
	__sync_synchronize()	smp_mb()

Table 4.1: Mapping from POSIX to Linux-Kernel Primitives

## 4.5 The Right Tool for the Job: How to Choose?

As a rough rule of thumb, use the simplest tool that will get the job done. If you can, simply program sequentially. If that is insufficient, try using a shell script to mediate parallelism. If the resulting shell-script `fork()/exec()` overhead (about 480 microseconds for a minimal C program on an Intel Core Duo laptop) is too large, try using the C-language `fork()` and `wait()` primitives. If the overhead of these primitives (about 80 microseconds for a minimal child process) is still too large, then you might need to use the POSIX threading primitives, choosing the appropriate locking and/or atomic-operation primitives. If the overhead of the POSIX threading primitives (typically sub-microsecond) is too great, then the primitives introduced in Chapter 9 may be required. Always remember that inter-process communication and message-passing can be good alternatives to shared-memory multithreaded execution.

**Quick Quiz 4.25:** Wouldn't the shell normally use `vfork()` rather than `fork()`?

■

Of course, the actual overheads will depend not only on your hardware, but most critically on the manner in which you use the primitives. Therefore, it is necessary to make the right design choices as well as the correct choice of individual primitives, as is discussed at length in subsequent chapters.

## Chapter 5

# Counting

Counting is perhaps the simplest and most natural thing a computer can do. However, counting efficiently and scalably on a large shared-memory multiprocessor can be quite challenging. Furthermore, the simplicity of the underlying concept of counting allows us to explore the fundamental issues of concurrency without the distractions of elaborate data structures or complex synchronization primitives. Counting therefore provides an excellent introduction to parallel programming.

This chapter covers a number of special cases for which there are simple, fast, and scalable counting algorithms. But first, let us find out how much you already know about concurrent counting.

**Quick Quiz 5.1:** Why on earth should efficient and scalable counting be hard? After all, computers have special hardware for the sole purpose of doing counting, addition, subtraction, and lots more besides, don't they??? ■

**Quick Quiz 5.2: Network-packet counting problem.** Suppose that you need to collect statistics on the number of networking packets (or total number of bytes) transmitted and/or received. Packets might be transmitted or received by any CPU on the system. Suppose further that this large machine is capable of handling a million packets per second, and that there is a systems-monitoring package that reads out the count every five seconds. How would you implement this statistical counter? ■

**Quick Quiz 5.3: Approximate structure-allocation limit problem.** Suppose that you need to maintain a count of the number of structures allocated in order to fail any allocations once the number of structures in use exceeds a limit (say, 10,000). Suppose further that these structures are short-lived, that the limit is rarely exceeded, and that a “sloppy” approximate limit is acceptable. ■

**Quick Quiz 5.4: Exact structure-allocation limit problem.** Suppose that you need to maintain a count of the number of structures allocated in order to fail any allocations once the number of structures in use exceeds an exact limit (again, say 10,000). Suppose further that these structures are short-lived, and that the limit is rarely exceeded, that there is almost always at least one structure in use, and suppose further still that it is necessary to know exactly when this counter reaches zero, for example, in order to free up some memory that is not required unless there is at least one structure in use. ■

**Quick Quiz 5.5: Removable I/O device access-count problem.** Suppose that you need to maintain a reference count on a heavily used removable mass-storage device, so that you can tell the user when it is safe to remove the device. This device follows the usual removal procedure where the user indicates a desire to remove the device, and

the system tells the user when it is safe to do so. ■

The remainder of this chapter will develop answers to these questions. Section 5.1 asks why counting on multicore systems isn't trivial, and Section 5.2 looks into ways of solving the network-packet counting problem. Section 5.3 investigates the approximate structure-allocation limit problem, while Section 5.4 takes on the exact structure-allocation limit problem. Section 5.5 discusses how to use the various specialized parallel counters introduced in the preceding sections. Finally, Section 5.6 concludes the chapter with performance measurements.

Sections 5.1 and 5.2 contain introductory material, while the remaining sections are more appropriate for advanced students.

## 5.1 Why Isn't Concurrent Counting Trivial?

Let's start with something simple, for example, the straightforward use of arithmetic shown in Figure 5.1 (`count_nonatomic.c`). Here, we have a counter on line 1, we increment it on line 5, and we read out its value on line 10. What could be simpler?

This approach has the additional advantage of being blazingly fast if you are doing lots of reading and almost no incrementing, and on small systems, the performance is excellent.

There is just one large fly in the ointment: this approach can lose counts. On my dual-core laptop, a short run invoked `inc_count()` 100,014,000 times, but the final value of the counter was only 52,909,118. Although approximate values do have their place in computing, accuracies far greater than 50% are almost always necessary.

**Quick Quiz 5.6:** But doesn't the `++` operator produce an x86 add-to-memory instruction? And won't the CPU cache cause this to be atomic? ■

**Quick Quiz 5.7:** The 8-figure accuracy on the number of failures indicates that you really did test this. Why would it be necessary to test such a trivial program, especially when the bug is easily seen by inspection? ■

The straightforward way to count accurately is to use atomic operations, as shown in Figure 5.2 (`count_atomic.c`). Line 1 defines an atomic variable, line 5 atomically increments it, and line 10 reads it out. Because this is atomic, it keeps perfect count. However, it is slower: on a Intel Core Duo laptop, it is about six times slower than non-atomic increment when a single thread is incrementing, and more than *ten times* slower if two threads are incrementing.<sup>1</sup>

---

<sup>1</sup> Interestingly enough, a pair of threads non-atomically incrementing a counter will cause the counter to increase more quickly than a pair of threads atomically incrementing the counter. Of course, if your only goal is to make the counter increase quickly, an easier approach is to simply assign a large value to the counter.

```
1 long counter = 0;
2
3 void inc_count(void)
4 {
5     counter++;
6 }
7
8 long read_count(void)
9 {
10    return counter;
11 }
```

Figure 5.1: Just Count!

```

1 atomic_t counter = ATOMIC_INIT(0);
2
3 void inc_count(void)
4 {
5     atomic_inc(&counter);
6 }
7
8 long read_count(void)
9 {
10    return atomic_read(&counter);
11 }

```

Figure 5.2: Just Count Atomically!

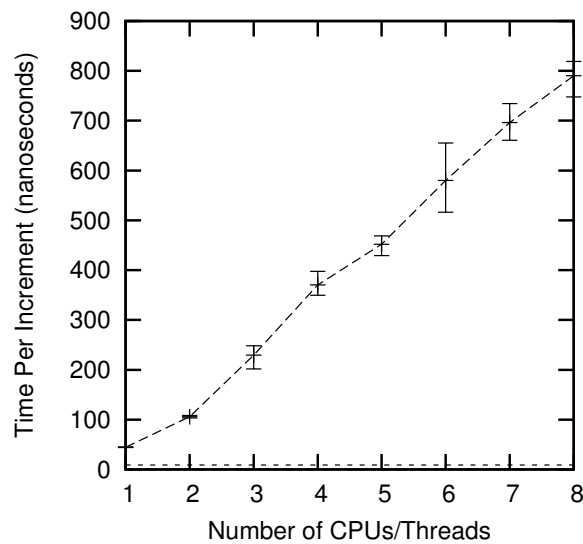


Figure 5.3: Atomic Increment Scalability on Nehalem

This poor performance should not be a surprise, given the discussion in Chapter 3, nor should it be a surprise that the performance of atomic increment gets slower as the number of CPUs and threads increase, as shown in Figure 5.3. In this figure, the horizontal dashed line resting on the x axis is the ideal performance that would be achieved by a perfectly scalable algorithm: with such an algorithm, a given increment would incur the same overhead that it would in a single-threaded program. Atomic increment of a single global variable is clearly decidedly non-ideal, and gets worse as you add CPUs.

**Quick Quiz 5.8:** Why doesn't the dashed line on the x axis meet the diagonal line at  $x = 1$ ? ■

**Quick Quiz 5.9:** But atomic increment is still pretty fast. And incrementing a single variable in a tight loop sounds pretty unrealistic to me, after all, most of the program's execution should be devoted to actually doing work, not accounting for the work it has done! Why should I care about making this go faster? ■

For another perspective on global atomic increment, consider Figure 5.4. In order

---

Nevertheless, there is likely to be a role for algorithms that use carefully relaxed notions of correctness in order to gain greater performance and scalability [And91, ACMS03, Ung11].

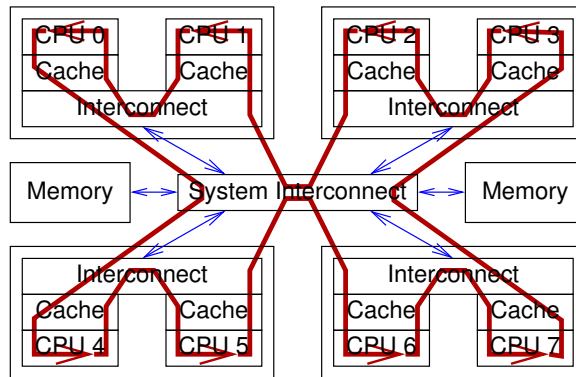


Figure 5.4: Data Flow For Global Atomic Increment

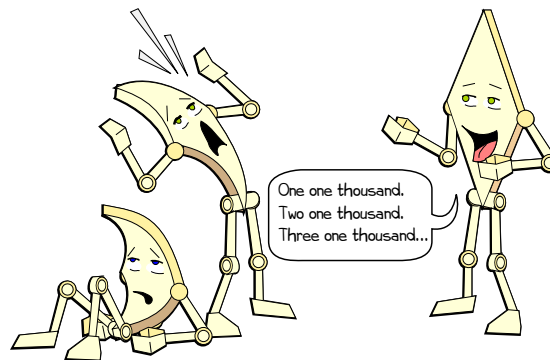


Figure 5.5: Waiting to Count

for each CPU to get a chance to increment a given global variable, the cache line containing that variable must circulate among all the CPUs, as shown by the red arrows. Such circulation will take significant time, resulting in the poor performance seen in Figure 5.3, which might be thought of as shown in Figure 5.5.

The following sections discuss high-performance counting, which avoids the delays inherent in such circulation.

**Quick Quiz 5.10:** But why can't CPU designers simply ship the addition operation to the data, avoiding the need to circulate the cache line containing the global variable being incremented? ■

## 5.2 Statistical Counters

This section covers the common special case of statistical counters, where the count is updated extremely frequently and the value is read out rarely, if ever. These will be used to solve the network-packet counting problem posed in Quick Quiz 5.2.



```

1 DEFINE_PER_THREAD(long, counter);
2
3 void inc_count(void)
4 {
5     __get_thread_var(counter)++;
6 }
7
8 long read_count(void)
9 {
10     int t;
11     long sum = 0;
12
13     for_each_thread(t)
14         sum += per_thread(counter, t);
15     return sum;
16 }

```

Figure 5.6: Array-Based Per-Thread Statistical Counters

### 5.2.1 Design

Statistical counting is typically handled by providing a counter per thread (or CPU, when running in the kernel), so that each thread updates its own counter. The aggregate value of the counters is read out by simply summing up all of the threads’ counters, relying on the commutative and associative properties of addition. This is an example of the Data Ownership pattern that will be introduced in Section 6.3.4.

**Quick Quiz 5.11:** But doesn’t the fact that C’s “integers” are limited in size complicate things? ■

### 5.2.2 Array-Based Implementation

One way to provide per-thread variables is to allocate an array with one element per thread (presumably cache aligned and padded to avoid false sharing).

**Quick Quiz 5.12:** An array??? But doesn’t that limit the number of threads? ■

Such an array can be wrapped into per-thread primitives, as shown in Figure 5.6 (`count_stat.c`). Line 1 defines an array containing a set of per-thread counters of type `long` named, creatively enough, `counter`.

Lines 3-6 show a function that increments the counters, using the `__get_thread_var()` primitive to locate the currently running thread’s element of the `counter` array. Because this element is modified only by the corresponding thread, non-atomic increment suffices.

Lines 8-16 show a function that reads out the aggregate value of the counter, using the `for_each_thread()` primitive to iterate over the list of currently running threads, and using the `per_thread()` primitive to fetch the specified thread’s counter. Because the hardware can fetch and store a properly aligned `long` atomically, and because `gcc` is kind enough to make use of this capability, normal loads suffice, and no special atomic instructions are required.

**Quick Quiz 5.13:** What other choice does `gcc` have, anyway??? ■

**Quick Quiz 5.14:** How does the per-thread `counter` variable in Figure 5.6 get initialized? ■

**Quick Quiz 5.15:** How is the code in Figure 5.6 supposed to permit more than one counter? ■

This approach scales linearly with increasing number of updater threads invoking `inc_count()`. As is shown by the green arrows on each CPU in Figure 5.7, the

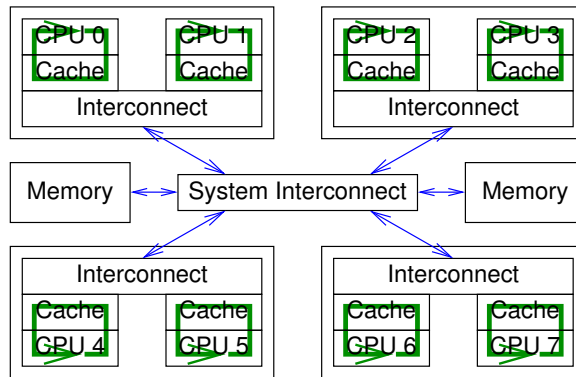


Figure 5.7: Data Flow For Per-Thread Increment

reason for this is that each CPU can make rapid progress incrementing its thread’s variable, without any expensive cross-system communication. As such, this section solves the network-packet counting problem presented at the beginning of this chapter.

**Quick Quiz 5.16:** The read operation takes time to sum up the per-thread values, and during that time, the counter could well be changing. This means that the value returned by `read_count()` in Figure 5.6 will not necessarily be exact. Assume that the counter is being incremented at rate  $r$  counts per unit time, and that `read_count()`’s execution consumes  $\Delta$  units of time. What is the expected error in the return value? ■

However, this excellent update-side scalability comes at great read-side expense for large numbers of threads. The next section shows one way to reduce read-side expense while still retaining the update-side scalability.

### 5.2.3 Eventually Consistent Implementation

One way to retain update-side scalability while greatly improving read-side performance is to weaken consistency requirements. The counting algorithm in the previous section is guaranteed to return a value between the value that an ideal counter would have taken on near the beginning of `read_count()`’s execution and that near the end of `read_count()`’s execution. *Eventual consistency* [Vog09] provides a weaker guarantee: in absence of calls to `inc_count()`, calls to `read_count()` will eventually return an accurate count.

We exploit eventual consistency by maintaining a global counter. However, updaters only manipulate their per-thread counters. A separate thread is provided to transfer counts from the per-thread counters to the global counter. Readers simply access the value of the global counter. If updaters are active, the value used by the readers will be out of date, however, once updates cease, the global counter will eventually converge on the true value—hence this approach qualifies as eventually consistent.

The implementation is shown in Figure 5.8 (`count_stat_eventual.c`). Lines 1-2 show the per-thread variable and the global variable that track the counter’s value, and line three shows `stopflag` which is used to coordinate termination (for the case where we want to terminate the program with an accurate counter value). The `inc_count()` function shown on lines 5-8 is similar to its counterpart in Figure 5.6.

```

1 DEFINE_PER_THREAD(unsigned long, counter);
2 unsigned long global_count;
3 int stopflag;
4
5 void inc_count(void)
6 {
7     ACCESS_ONCE(__get_thread_var(counter))++;
8 }
9
10 unsigned long read_count(void)
11 {
12     return ACCESS_ONCE(global_count);
13 }
14
15 void *eventual(void *arg)
16 {
17     int t;
18     int sum;
19
20     while (stopflag < 3) {
21         sum = 0;
22         for_each_thread(t)
23             sum += ACCESS_ONCE(per_thread(counter, t));
24         ACCESS_ONCE(global_count) = sum;
25         poll(NULL, 0, 1);
26         if (stopflag) {
27             smp_mb();
28             stopflag++;
29         }
30     }
31     return NULL;
32 }
33
34 void count_init(void)
35 {
36     thread_id_t tid;
37
38     if (pthread_create(&tid, NULL, eventual, NULL)) {
39         perror("count_init:pthread_create");
40         exit(-1);
41     }
42 }
43
44 void count_cleanup(void)
45 {
46     stopflag = 1;
47     while (stopflag < 3)
48         poll(NULL, 0, 1);
49     smp_mb();
50 }

```

Figure 5.8: Array-Based Per-Thread Eventually Consistent Counters

The `read_count()` function shown on lines 10-13 simply returns the value of the `global_count` variable.

However, the `count_init()` function on lines 34-42 creates the `eventual()` thread shown on lines 15-32, which cycles through all the threads, summing the per-thread local `counter` and storing the sum to the `global_count` variable. The `eventual()` thread waits an arbitrarily chosen one millisecond between passes. The `count_cleanup()` function on lines 44-50 coordinates termination.

This approach gives extremely fast counter read-out while still supporting linear counter-update performance. However, this excellent read-side performance and update-side scalability comes at the cost of the additional thread running `eventual()`.

**Quick Quiz 5.17:** Why doesn't `inc_count()` in Figure 5.8 need to use atomic instructions? After all, we now have multiple threads accessing the per-thread counters! ■

**Quick Quiz 5.18:** Won't the single global thread in the function `eventual()` of Figure 5.8 be just as severe a bottleneck as a global lock would be? ■

**Quick Quiz 5.19:** Won't the estimate returned by `read_count()` in Figure 5.8 become increasingly inaccurate as the number of threads rises? ■

**Quick Quiz 5.20:** Given that in the eventually-consistent algorithm shown in Figure 5.8 both reads and updates have extremely low overhead and are extremely scalable, why would anyone bother with the implementation described in Section 5.2.2, given its costly read-side code? ■

## 5.2.4 Per-Thread-Variable-Based Implementation

Fortunately, `gcc` provides an `__thread` storage class that provides per-thread storage. This can be used as shown in Figure 5.9 (`count_end.c`) to implement a statistical counter that not only scales, but that also incurs little or no performance penalty to incrementers compared to simple non-atomic increment.

Lines 1-4 define needed variables: `counter` is the per-thread counter variable, the `counterp[]` array allows threads to access each others' counters, `finalcount` accumulates the total as individual threads exit, and `final_mutex` coordinates between threads accumulating the total value of the counter and exiting threads.

**Quick Quiz 5.21:** Why do we need an explicit array to find the other threads' counters? Why doesn't `gcc` provide a `per_thread()` interface, similar to the Linux kernel's `per_cpu()` primitive, to allow threads to more easily access each others' per-thread variables? ■

The `inc_count()` function used by updaters is quite simple, as can be seen on lines 6-9.

The `read_count()` function used by readers is a bit more complex. Line 16 acquires a lock to exclude exiting threads, and line 21 releases it. Line 17 initializes the sum to the count accumulated by those threads that have already exited, and lines 18-20 sum the counts being accumulated by threads currently running. Finally, line 22 returns the sum.

**Quick Quiz 5.22:** Doesn't the check for `NULL` on line 19 of Figure 5.9 add extra branch mispredictions? Why not have a variable set permanently to zero, and point unused counter-pointers to that variable rather than setting them to `NULL`? ■

**Quick Quiz 5.23:** Why on earth do we need something as heavyweight as a *lock* guarding the summation in the function `read_count()` in Figure 5.9? ■

```

1 long __thread counter = 0;
2 long *counterp[NR_THREADS] = { NULL };
3 long finalcount = 0;
4 DEFINE_SPINLOCK(final_mutex);
5
6 void inc_count(void)
7 {
8     counter++;
9 }
10
11 long read_count(void)
12 {
13     int t;
14     long sum;
15
16     spin_lock(&final_mutex);
17     sum = finalcount;
18     for_each_thread(t)
19         if (counterp[t] != NULL)
20             sum += *counterp[t];
21     spin_unlock(&final_mutex);
22     return sum;
23 }
24
25 void count_register_thread(void)
26 {
27     int idx = smp_thread_id();
28
29     spin_lock(&final_mutex);
30     counterp[idx] = &counter;
31     spin_unlock(&final_mutex);
32 }
33
34 void count_unregister_thread(int nthreadsexpected)
35 {
36     int idx = smp_thread_id();
37
38     spin_lock(&final_mutex);
39     finalcount += counter;
40     counterp[idx] = NULL;
41     spin_unlock(&final_mutex);
42 }

```

Figure 5.9: Per-Thread Statistical Counters

Lines 25-32 show the `count_register_thread()` function, which must be called by each thread before its first use of this counter. This function simply sets up this thread's element of the `counterp[]` array to point to its per-thread counter variable.

**Quick Quiz 5.24:** Why on earth do we need to acquire the lock in `count_register_thread()` in Figure 5.9? It is a single properly aligned machine-word store to a location that no other thread is modifying, so it should be atomic anyway, right? ■

Lines 34-42 show the `count_unregister_thread()` function, which must be called prior to exit by each thread that previously called `count_register_thread()`. Line 38 acquires the lock, and line 41 releases it, thus excluding any calls to `read_count()` as well as other calls to `count_unregister_thread()`. Line 39 adds this thread's counter to the global `finalcount`, and then line 40 NULLs out its `counterp[]` array entry. A subsequent call to `read_count()` will see the exiting thread's count in the global `finalcount`, and will skip the exiting thread when sequencing through the `counterp[]` array, thus obtaining the correct total.

This approach gives updaters almost exactly the same performance as a non-atomic add, and also scales linearly. On the other hand, concurrent reads contend for a single global lock, and therefore perform poorly and scale abysmally. However, this is not a problem for statistical counters, where incrementing happens often and readout happens almost never. Of course, this approach is considerably more complex than the array-based scheme, due to the fact that a given thread's per-thread variables vanish when that thread exits.

**Quick Quiz 5.25:** Fine, but the Linux kernel doesn't have to acquire a lock when reading out the aggregate value of per-CPU counters. So why should user-space code need to do this?? ■

### 5.2.5 Discussion

These three implementations show that it is possible to obtain uniprocessor performance for statistical counters, despite running on a parallel machine.

**Quick Quiz 5.26:** What fundamental difference is there between counting packets and counting the total number of bytes in the packets, given that the packets vary in size? ■

**Quick Quiz 5.27:** Given that the reader must sum all the threads' counters, this could take a long time given large numbers of threads. Is there any way that the increment operation can remain fast and scalable while allowing readers to also enjoy reasonable performance and scalability? ■

Given what has been presented in this section, you should now be able to answer the Quick Quiz about statistical counters for networking near the beginning of this chapter.

## 5.3 Approximate Limit Counters

Another special case of counting involves limit-checking. For example, as noted in the approximate structure-allocation limit problem in Quick Quiz 5.3, suppose that you need to maintain a count of the number of structures allocated in order to fail any allocations once the number of structures in use exceeds a limit, in this case, 10,000. Suppose further that these structures are short-lived, that this limit is rarely exceeded, and that this

limit is approximate in that it is OK to exceed it sometimes by some bounded amount (see Section 5.4 if you instead need the limit to be exact).

### 5.3.1 Design

One possible design for limit counters is to divide the limit of 10,000 by the number of threads, and give each thread a fixed pool of structures. For example, given 100 threads, each thread would manage its own pool of 100 structures. This approach is simple, and in some cases works well, but it does not handle the common case where a given structure is allocated by one thread and freed by another [MS93]. On the one hand, if a given thread takes credit for any structures it frees, then the thread doing most of the allocating runs out of structures, while the threads doing most of the freeing have lots of credits that they cannot use. On the other hand, if freed structures are credited to the CPU that allocated them, it will be necessary for CPUs to manipulate each others' counters, which will require expensive atomic instructions or other means of communicating between threads.<sup>2</sup>

In short, for many important workloads, we cannot fully partition the counter. Given that partitioning the counters was what brought the excellent update-side performance for the three schemes discussed in Section 5.2, this might be grounds for some pessimism. However, the eventually consistent algorithm presented in Section 5.2.3 provides an interesting hint. Recall that this algorithm kept two sets of books, a per-thread counter variable for updaters and a `global_count` variable for readers, with an `eventual()` thread that periodically updated `global_count` to be eventually consistent with the values of the per-thread counter. The per-thread counter perfectly partitioned the counter value, while `global_count` kept the full value.

For limit counters, we can use a variation on this theme, in that we *partially partition* the counter. For example, each of four threads could have a per-thread counter, but each could also have a per-thread maximum value (call it `countermax`).

But then what happens if a given thread needs to increment its counter, but counter is equal to its `countermax`? The trick here is to move half of that thread's counter value to a `globalcount`, then increment counter. For example, if a given thread's counter and `countermax` variables were both equal to 10, we do the following:

1. Acquire a global lock.
2. Add five to `globalcount`.
3. To balance out the addition, subtract five from this thread's counter.
4. Release the global lock.
5. Increment this thread's counter, resulting in a value of six.

Although this procedure still requires a global lock, that lock need only be acquired once for every five increment operations, greatly reducing that lock's level of contention. We can reduce this contention as low as we wish by increasing the value of `countermax`. However, the corresponding penalty for increasing the value of `countermax` is reduced accuracy of `globalcount`. To see this, note that on a

---

<sup>2</sup> That said, if each structure will always be freed by the same CPU (or thread) that allocated it, then this simple partitioning approach works extremely well.

```

1 unsigned long __thread counter = 0;
2 unsigned long __thread countermax = 0;
3 unsigned long globalcountmax = 10000;
4 unsigned long globalcount = 0;
5 unsigned long globalreserve = 0;
6 unsigned long *counterp[NR_THREADS] = { NULL };
7 DEFINE_SPINLOCK(gblcnt_mutex);

```

Figure 5.10: Simple Limit Counter Variables

four-CPU system, if `countermax` is equal to ten, `globalcount` will be in error by at most 40 counts. In contrast, if `countermax` is increased to 100, `globalcount` might be in error by as much as 400 counts.

This raises the question of just how much we care about `globalcount`'s deviation from the aggregate value of the counter, where this aggregate value is the sum of `globalcount` and each thread's `counter` variable. The answer to this question depends on how far the aggregate value is from the counter's limit (call it `globalcountmax`). The larger the difference between these two values, the larger `countermax` can be without risk of exceeding the `globalcountmax` limit. This means that the value of a given thread's `countermax` variable can be set based on this difference. When far from the limit, the `countermax` per-thread variables are set to large values to optimize for performance and scalability, while when close to the limit, these same variables are set to small values to minimize the error in the checks against the `globalcountmax` limit.

This design is an example of *parallel fastpath*, which is an important design pattern in which the common case executes with no expensive instructions and no interactions between threads, but where occasional use is also made of a more conservatively designed (and higher overhead) global algorithm. This design pattern is covered in more detail in Section 6.4.

### 5.3.2 Simple Limit Counter Implementation

Figure 5.10 shows both the per-thread and global variables used by this implementation. The per-thread `counter` and `countermax` variables are the corresponding thread's local counter and the upper bound on that counter, respectively. The `globalcountmax` variable on line 3 contains the upper bound for the aggregate counter, and the `globalcount` variable on line 4 is the global counter. The sum of `globalcount` and each thread's `counter` gives the aggregate value of the overall counter. The `globalreserve` variable on line 5 is the sum of all of the per-thread `countermax` variables. The relationship among these variables is shown by Figure 5.11:

1. The sum of `globalcount` and `globalreserve` must be less than or equal to `globalcountmax`.
2. The sum of all threads' `countermax` values must be less than or equal to `globalreserve`.
3. Each thread's `counter` must be less than or equal to that thread's `countermax`.

Each element of the `counterp[]` array references the corresponding thread's counter variable, and, finally, the `gblcnt_mutex` spinlock guards all of the global



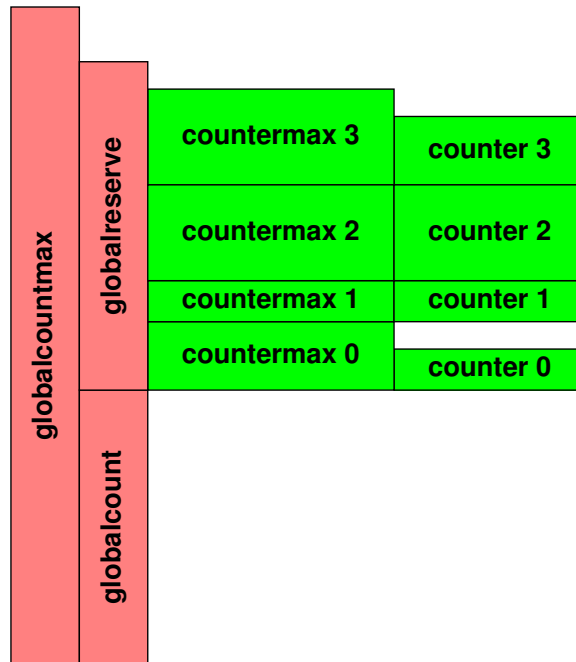


Figure 5.11: Simple Limit Counter Variable Relationships

variables, in other words, no thread is permitted to access or modify any of the global variables unless it has acquired `gblcnt_mutex`.

Figure 5.12 shows the `add_count()`, `sub_count()`, and `read_count()` functions (`count_lim.c`).

**Quick Quiz 5.28:** Why does Figure 5.12 provide `add_count()` and `sub_count()` instead of the `inc_count()` and `dec_count()` interfaces show in Section 5.2? ■

Lines 1-18 show `add_count()`, which adds the specified value `delta` to the counter. Line 3 checks to see if there is room for `delta` on this thread's counter, and, if so, line 4 adds it and line 6 returns success. This is the `add_counter()` fastpath, and it does no atomic operations, references only per-thread variables, and should not incur any cache misses.

**Quick Quiz 5.29:** What is with the strange form of the condition on line 3 of Figure 5.12? Why not the following more intuitive form of the fastpath?

```

3 if (counter + delta <= countermax){
4   counter += delta;
5   return 1;
6 }

```

■  
If the test on line 3 fails, we must access global variables, and thus must acquire `gblcnt_mutex` on line 7, which we release on line 11 in the failure case or on line 16 in the success case. Line 8 invokes `globalize_count()`, shown in Figure 5.13, which clears the thread-local variables, adjusting the global variables as needed, thus simplifying global processing. (But don't take *my* word for it, try coding it yourself!)

```

1 int add_count(unsigned long delta)
2 {
3     if (countermax - counter >= delta) {
4         counter += delta;
5         return 1;
6     }
7     spin_lock(&gblcnt_mutex);
8     globalize_count();
9     if (globalcountmax -
10        globalcount - globalreserve < delta) {
11         spin_unlock(&gblcnt_mutex);
12         return 0;
13     }
14     globalcount += delta;
15     balance_count();
16     spin_unlock(&gblcnt_mutex);
17     return 1;
18 }
19
20 int sub_count(unsigned long delta)
21 {
22     if (counter >= delta) {
23         counter -= delta;
24         return 1;
25     }
26     spin_lock(&gblcnt_mutex);
27     globalize_count();
28     if (globalcount < delta) {
29         spin_unlock(&gblcnt_mutex);
30         return 0;
31     }
32     globalcount -= delta;
33     balance_count();
34     spin_unlock(&gblcnt_mutex);
35     return 1;
36 }
37
38 unsigned long read_count(void)
39 {
40     int t;
41     unsigned long sum;
42
43     spin_lock(&gblcnt_mutex);
44     sum = globalcount;
45     for_each_thread(t)
46         if (counterp[t] != NULL)
47             sum += *counterp[t];
48     spin_unlock(&gblcnt_mutex);
49     return sum;
50 }

```

Figure 5.12: Simple Limit Counter Add, Subtract, and Read

Lines 9 and 10 check to see if addition of `delta` can be accommodated, with the meaning of the expression preceding the less-than sign shown in Figure 5.11 as the difference in height of the two red (leftmost) bars. If the addition of `delta` cannot be accommodated, then line 11 (as noted earlier) releases `gblcnt_mutex` and line 12 returns indicating failure.

Otherwise, we take the slowpath. Line 14 adds `delta` to `globalcount`, and then line 15 invokes `balance_count()` (shown in Figure 5.13) in order to update both the global and the per-thread variables. This call to `balance_count()` will usually set this thread's `countermax` to re-enable the fastpath. Line 16 then releases `gblcnt_mutex` (again, as noted earlier), and, finally, line 17 returns indicating success.

**Quick Quiz 5.30:** Why does `globalize_count()` zero the per-thread variables, only to later call `balance_count()` to refill them in Figure 5.12? Why not just leave the per-thread variables non-zero? ■

Lines 20-36 show `sub_count()`, which subtracts the specified `delta` from the counter. Line 22 checks to see if the per-thread counter can accommodate this subtraction, and, if so, line 23 does the subtraction and line 24 returns success. These lines form `sub_count()`'s fastpath, and, as with `add_count()`, this fastpath executes no costly operations.

If the fastpath cannot accommodate subtraction of `delta`, execution proceeds to the slowpath on lines 26-35. Because the slowpath must access global state, line 26 acquires `gblcnt_mutex`, which is released either by line 29 (in case of failure) or by line 34 (in case of success). Line 27 invokes `globalize_count()`, shown in Figure 5.13, which again clears the thread-local variables, adjusting the global variables as needed. Line 28 checks to see if the counter can accommodate subtracting `delta`, and, if not, line 29 releases `gblcnt_mutex` (as noted earlier) and line 30 returns failure.

**Quick Quiz 5.31:** Given that `globalreserve` counted against us in `add_count()`, why doesn't it count for us in `sub_count()` in Figure 5.12? ■

**Quick Quiz 5.32:** Suppose that one thread invokes `add_count()` shown in Figure 5.12, and then another thread invokes `sub_count()`. Won't `sub_count()` return failure even though the value of the counter is non-zero? ■

If, on the other hand, line 28 finds that the counter *can* accommodate subtracting `delta`, we complete the slowpath. Line 32 does the subtraction and then line 33 invokes `balance_count()` (shown in Figure 5.13) in order to update both global and per-thread variables (hopefully re-enabling the fastpath). Then line 34 releases `gblcnt_mutex`, and line 35 returns success.

**Quick Quiz 5.33:** Why have both `add_count()` and `sub_count()` in Figure 5.12? Why not simply pass a negative number to `add_count()`? ■

Lines 38-50 show `read_count()`, which returns the aggregate value of the counter. It acquires `gblcnt_mutex` on line 43 and releases it on line 48, excluding global operations from `add_count()` and `sub_count()`, and, as we will see, also excluding thread creation and exit. Line 44 initializes local variable `sum` to the value of `globalcount`, and then the loop spanning lines 45-47 sums the per-thread `counter` variables. Line 49 then returns the sum.

Figure 5.13 shows a number of utility functions used by the `add_count()`, `sub_count()`, and `read_count()` primitives shown in Figure 5.12.

Lines 1-7 show `globalize_count()`, which zeros the current thread's per-thread counters, adjusting the global variables appropriately. It is important to note that this function does not change the aggregate value of the counter, but instead changes how

```

1 static void globalize_count(void)
2 {
3     globalcount += counter;
4     counter = 0;
5     globalreserve -= countermax;
6     countermax = 0;
7 }
8
9 static void balance_count(void)
10 {
11     countermax = globalcountmax -
12                 globalcount - globalreserve;
13     countermax /= num_online_threads();
14     globalreserve += countermax;
15     counter = countermax / 2;
16     if (counter > globalcount)
17         counter = globalcount;
18     globalcount -= counter;
19 }
20
21 void count_register_thread(void)
22 {
23     int idx = smp_thread_id();
24
25     spin_lock(&gblcnt_mutex);
26     counterp[idx] = &counter;
27     spin_unlock(&gblcnt_mutex);
28 }
29
30 void count_unregister_thread(int nthreadsexpected)
31 {
32     int idx = smp_thread_id();
33
34     spin_lock(&gblcnt_mutex);
35     globalize_count();
36     counterp[idx] = NULL;
37     spin_unlock(&gblcnt_mutex);
38 }

```

Figure 5.13: Simple Limit Counter Utility Functions

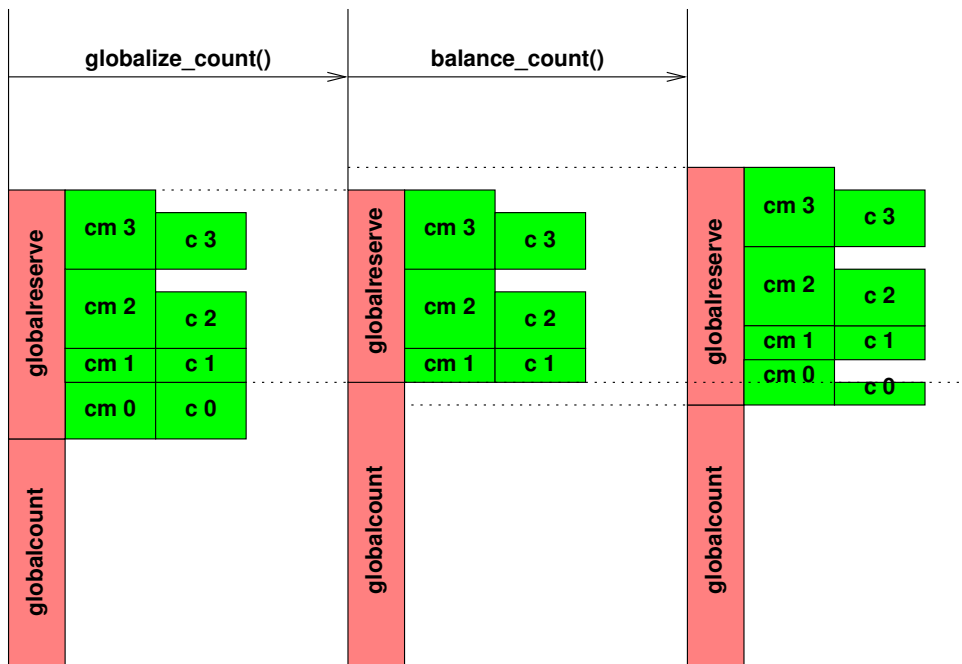


Figure 5.14: Schematic of Globalization and Balancing

the counter's current value is represented. Line 3 adds the thread's counter variable to `globalcount`, and line 4 zeroes counter. Similarly, line 5 subtracts the per-thread countermax from `globalreserve`, and line 6 zeroes countermax. It is helpful to refer to Figure 5.11 when reading both this function and `balance_count()`, which is next.

Lines 9-19 show `balance_count()`, which is roughly speaking the inverse of `globalize_count()`. This function's job is to set the current thread's countermax variable to the largest value that avoids the risk of the counter exceeding the `globalcountmax` limit. Changing the current thread's countermax variable of course requires corresponding adjustments to counter, `globalcount` and `globalreserve`, as can be seen by referring back to Figure 5.11. By doing this, `balance_count()` maximizes use of `add_count()`'s and `sub_count()`'s low-overhead fastpaths. As with `globalize_count()`, `balance_count()` is not permitted to change the aggregate value of the counter.

Lines 11-13 compute this thread's share of that portion of `globalcountmax` that is not already covered by either `globalcount` or `globalreserve`, and assign the computed quantity to this thread's countermax. Line 14 makes the corresponding adjustment to `globalreserve`. Line 15 sets this thread's counter to the middle of the range from zero to countermax. Line 16 checks to see whether `globalcount` can in fact accommodate this value of counter, and, if not, line 17 decreases counter accordingly. Finally, in either case, line 18 makes the corresponding adjustment to `globalcount`.

**Quick Quiz 5.34:** Why set counter to `countermax / 2` in line 15 of Figure 5.13? Wouldn't it be simpler to just take countermax counts? ■

It is helpful to look at a schematic depicting how the relationship of the counters changes with the execution of first `globalize_count()` and then `balance_count()`, as shown in Figure 5.14. Time advances from left to right, with the leftmost configuration roughly that of Figure 5.11. The center configuration shows the relationship of these same counters after `globalize_count()` is executed by thread 0. As can be seen from the figure, thread 0's counter ("c 0" in the figure) is added to `globalcount`, while the value of `globalreserve` is reduced by this same amount. Both thread 0's counter and its `countermax` ("cm 0" in the figure) are reduced to zero. The other three threads' counters are unchanged. Note that this change did not affect the overall value of the counter, as indicated by the bottommost dotted line connecting the leftmost and center configurations. In other words, the sum of `globalcount` and the four threads' counter variables is the same in both configurations. Similarly, this change did not affect the sum of `globalcount` and `globalreserve`, as indicated by the upper dotted line.

The rightmost configuration shows the relationship of these counters after `balance_count()` is executed, again by thread 0. One-quarter of the remaining count, denoted by the vertical line extending up from all three configurations, is added to thread 0's `countermax` and half of that to thread 0's counter. The amount added to thread 0's counter is also subtracted from `globalcount` in order to avoid changing the overall value of the counter (which is again the sum of `globalcount` and the three threads' counter variables), again as indicated by the lowermost of the two dotted lines connecting the center and rightmost configurations. The `globalreserve` variable is also adjusted so that this variable remains equal to the sum of the four threads' `countermax` variables. Because thread 0's counter is less than its `countermax`, thread 0 can once again increment the counter locally.

**Quick Quiz 5.35:** In Figure 5.14, even though a quarter of the remaining count up to the limit is assigned to thread 0, only an eighth of the remaining count is consumed, as indicated by the uppermost dotted line connecting the center and the rightmost configurations. Why is that? ■

Lines 21-28 show `count_register_thread()`, which sets up state for newly created threads. This function simply installs a pointer to the newly created thread's counter variable into the corresponding entry of the `counterp[]` array under the protection of `gblcnt_mutex`.

Finally, lines 30-38 show `count_unregister_thread()`, which tears down state for a soon-to-be-exiting thread. Line 34 acquires `gblcnt_mutex` and line 37 releases it. Line 35 invokes `globalize_count()` to clear out this thread's counter state, and line 36 clears this thread's entry in the `counterp[]` array.

### 5.3.3 Simple Limit Counter Discussion

This type of counter is quite fast when aggregate values are near zero, with some overhead due to the comparison and branch in both `add_count()`'s and `sub_count()`'s fastpaths. However, the use of a per-thread `countermax` reserve means that `add_count()` can fail even when the aggregate value of the counter is nowhere near `globalcountmax`. Similarly, `sub_count()` can fail even when the aggregate value of the counter is nowhere near zero.

In many cases, this is unacceptable. Even if the `globalcountmax` is intended to be an approximate limit, there is usually a limit to exactly how much approximation can be tolerated. One way to limit the degree of approximation is to impose an upper limit

```

1 unsigned long __thread counter = 0;
2 unsigned long __thread countermax = 0;
3 unsigned long globalcountmax = 10000;
4 unsigned long globalcount = 0;
5 unsigned long globalreserve = 0;
6 unsigned long *counterp[NR_THREADS] = { NULL };
7 DEFINE_SPINLOCK(gblcnt_mutex);
8 #define MAX_COUNTERMAX 100

```

Figure 5.15: Approximate Limit Counter Variables

```

1 static void balance_count(void)
2 {
3     countermax = globalcountmax -
4                 globalcount - globalreserve;
5     countermax /= num_online_threads();
6     if (countermax > MAX_COUNTERMAX)
7         countermax = MAX_COUNTERMAX;
8     globalreserve += countermax;
9     counter = countermax / 2;
10    if (counter > globalcount)
11        counter = globalcount;
12    globalcount -= counter;
13 }

```

Figure 5.16: Approximate Limit Counter Balancing

on the value of the per-thread `countermax` instances. This task is undertaken in the next section.

### 5.3.4 Approximate Limit Counter Implementation

Because this implementation (`count_lim_app.c`) is quite similar to that in the previous section (Figures 5.10, 5.12, and 5.13), only the changes are shown here. Figure 5.15 is identical to Figure 5.10, with the addition of `MAX_COUNTERMAX`, which sets the maximum permissible value of the per-thread `countermax` variable.

Similarly, Figure 5.16 is identical to the `balance_count()` function in Figure 5.13, with the addition of lines 6 and 7, which enforce the `MAX_COUNTERMAX` limit on the per-thread `countermax` variable.

### 5.3.5 Approximate Limit Counter Discussion

These changes greatly reduce the limit inaccuracy seen in the previous version, but present another problem: any given value of `MAX_COUNTERMAX` will cause a workload-dependent fraction of accesses to fall off the fastpath. As the number of threads increase, non-fastpath execution will become both a performance and a scalability problem. However, we will defer this problem and turn instead to counters with exact limits.

## 5.4 Exact Limit Counters

To solve the exact structure-allocation limit problem noted in Quick Quiz 5.4, we need a limit counter that can tell exactly when its limits are exceeded. One way of implementing such a limit counter is to cause threads that have reserved counts to give them up. One

```

1 atomic_t __thread ctrandmax = ATOMIC_INIT(0);
2 unsigned long globalcountmax = 10000;
3 unsigned long globalcount = 0;
4 unsigned long globalreserve = 0;
5 atomic_t *counterp[NR_THREADS] = { NULL };
6 DEFINE_SPINLOCK(gblcnt_mutex);
7 #define CM_BITS (sizeof(atomic_t) * 4)
8 #define MAX_COUNTERMAX ((1 << CM_BITS) - 1)
9
10 static void
11 split_ctrandmax_int(int cami, int *c, int *cm)
12 {
13     *c = (cami >> CM_BITS) & MAX_COUNTERMAX;
14     *cm = cami & MAX_COUNTERMAX;
15 }
16
17 static void
18 split_ctrandmax(atomic_t *cam, int *old,
19                int *c, int *cm)
20 {
21     unsigned int cami = atomic_read(cam);
22
23     *old = cami;
24     split_ctrandmax_int(cami, c, cm);
25 }
26
27 static int merge_ctrandmax(int c, int cm)
28 {
29     unsigned int cami;
30
31     cami = (c << CM_BITS) | cm;
32     return ((int)cam);
33 }

```

Figure 5.17: Atomic Limit Counter Variables and Access Functions

way to do this is to use atomic instructions. Of course, atomic instructions will slow down the fastpath, but on the other hand, it would be silly not to at least give them a try.

### 5.4.1 Atomic Limit Counter Implementation

Unfortunately, if one thread is to safely remove counts from another thread, both threads will need to atomically manipulate that thread's counter and countermax variables. The usual way to do this is to combine these two variables into a single variable, for example, given a 32-bit variable, using the high-order 16 bits to represent counter and the low-order 16 bits to represent countermax.

**Quick Quiz 5.36:** Why is it necessary to atomically manipulate the thread's counter and countermax variables as a unit? Wouldn't it be good enough to atomically manipulate them individually? ■

The variables and access functions for a simple atomic limit counter are shown in Figure 5.17 (`count_lim_atomic.c`). The counter and countermax variables in earlier algorithms are combined into the single variable `ctrandmax` shown on line 1, with counter in the upper half and countermax in the lower half. This variable is of type `atomic_t`, which has an underlying representation of `int`.

Lines 2-6 show the definitions for `globalcountmax`, `globalcount`, `globalreserve`, `counterp`, and `gblcnt_mutex`, all of which take on roles similar to their counterparts in Figure 5.15. Line 7 defines `CM_BITS`, which gives the number of bits in each half of `ctrandmax`, and line 8 defines `MAX_COUNTERMAX`, which gives the



maximum value that may be held in either half of `ctrandmax`.

**Quick Quiz 5.37:** In what way does line 7 of Figure 5.17 violate the C standard? ■

Lines 10-15 show the `split_ctrandmax_int()` function, which, when given the underlying `int` from the `atomic_t` `ctrandmax` variable, splits it into its `counter` (`c`) and `countermax` (`cm`) components. Line 13 isolates the most-significant half of this `int`, placing the result as specified by argument `c`, and line 14 isolates the least-significant half of this `int`, placing the result as specified by argument `cm`.

Lines 17-25 show the `split_ctrandmax()` function, which picks up the underlying `int` from the specified variable on line 21, stores it as specified by the `old` argument on line 23, and then invokes `split_ctrandmax_int()` to split it on line 24.

**Quick Quiz 5.38:** Given that there is only one `ctrandmax` variable, why bother passing in a pointer to it on line 18 of Figure 5.17? ■

Lines 27-33 show the `merge_ctrandmax()` function, which can be thought of as the inverse of `split_ctrandmax()`. Line 31 merges the `counter` and `countermax` values passed in `c` and `cm`, respectively, and returns the result.

**Quick Quiz 5.39:** Why does `merge_ctrandmax()` in Figure 5.17 return an `int` rather than storing directly into an `atomic_t`? ■

Figure 5.18 shows the `add_count()`, `sub_count()`, and `read_count()` functions.

Lines 1-32 show `add_count()`, whose fastpath spans lines 8-15, with the remainder of the function being the slowpath. Lines 8-14 of the fastpath form a compare-and-swap (CAS) loop, with the `atomic_cmpxchg()` primitives on lines 13-14 performing the actual CAS. Line 9 splits the current thread's `ctrandmax` variable into its `counter` (in `c`) and `countermax` (in `cm`) components, while placing the underlying `int` into `old`. Line 10 checks whether the amount `delta` can be accommodated locally (taking care to avoid integer overflow), and if not, line 11 transfers to the slowpath. Otherwise, line 11 combines an updated `counter` value with the original `countermax` value into `new`. The `atomic_cmpxchg()` primitive on lines 13-14 then atomically compares this thread's `ctrandmax` variable to `old`, updating its value to `new` if the comparison succeeds. If the comparison succeeds, line 15 returns `success`, otherwise, execution continues in the loop at line 9.

**Quick Quiz 5.40:** Yecch! Why the ugly `goto` on line 11 of Figure 5.18? Haven't you heard of the `break` statement?? ■

**Quick Quiz 5.41:** Why would the `atomic_cmpxchg()` primitive at lines 13-14 of Figure 5.18 ever fail? After all, we picked up its old value on line 9 and have not changed it! ■

Lines 16-31 of Figure 5.18 show `add_count()`'s slowpath, which is protected by `gblcnt_mutex`, which is acquired on line 17 and released on lines 24 and 30. Line 18 invokes `globalize_count()`, which moves this thread's state to the global counters. Lines 19-20 check whether the `delta` value can be accommodated by the current global state, and, if not, line 21 invokes `flush_local_count()` to flush all threads' local state to the global counters, and then lines 22-23 recheck whether `delta` can be accommodated. If, after all that, the addition of `delta` still cannot be accommodated, then line 24 releases `gblcnt_mutex` (as noted earlier), and then line 25 returns `failure`.

Otherwise, line 28 adds `delta` to the global counter, line 29 spreads counts to the local state if appropriate, line 30 releases `gblcnt_mutex` (again, as noted earlier), and finally, line 31 returns `success`.

```

1 int add_count(unsigned long delta)
2 {
3     int c;
4     int cm;
5     int old;
6     int new;
7
8     do {
9         split_ctrandmax(&ctrandmax, &old, &c, &cm);
10        if (delta > MAX_COUNTERMAX || c + delta > cm)
11            goto slowpath;
12        new = merge_ctrandmax(c + delta, cm);
13    } while (atomic_cmpxchg(&ctrandmax,
14                          old, new) != old);
15    return 1;
16 slowpath:
17    spin_lock(&gblcnt_mutex);
18    globalize_count();
19    if (globalcountmax - globalcount -
20        globalreserve < delta) {
21        flush_local_count();
22        if (globalcountmax - globalcount -
23            globalreserve < delta) {
24            spin_unlock(&gblcnt_mutex);
25            return 0;
26        }
27    }
28    globalcount += delta;
29    balance_count();
30    spin_unlock(&gblcnt_mutex);
31    return 1;
32 }
33
34 int sub_count(unsigned long delta)
35 {
36     int c;
37     int cm;
38     int old;
39     int new;
40
41     do {
42         split_ctrandmax(&ctrandmax, &old, &c, &cm);
43         if (delta > c)
44             goto slowpath;
45         new = merge_ctrandmax(c - delta, cm);
46     } while (atomic_cmpxchg(&ctrandmax,
47                          old, new) != old);
48    return 1;
49 slowpath:
50    spin_lock(&gblcnt_mutex);
51    globalize_count();
52    if (globalcount < delta) {
53        flush_local_count();
54        if (globalcount < delta) {
55            spin_unlock(&gblcnt_mutex);
56            return 0;
57        }
58    }
59    globalcount -= delta;
60    balance_count();
61    spin_unlock(&gblcnt_mutex);
62    return 1;
63 }

```

Figure 5.18: Atomic Limit Counter Add and Subtract

```

1 unsigned long read_count(void)
2 {
3     int c;
4     int cm;
5     int old;
6     int t;
7     unsigned long sum;
8
9     spin_lock(&gblcnt_mutex);
10    sum = globalcount;
11    for_each_thread(t)
12        if (counterp[t] != NULL) {
13        split_ctrandmax(counterp[t], &old, &c, &cm);
14        sum += c;
15        }
16    spin_unlock(&gblcnt_mutex);
17    return sum;
18 }

```

Figure 5.19: Atomic Limit Counter Read

Lines 34-63 of Figure 5.18 show `sub_count()`, which is structured similarly to `add_count()`, having a fastpath on lines 41-48 and a slowpath on lines 49-62. A line-by-line analysis of this function is left as an exercise to the reader.

Figure 5.19 shows `read_count()`. Line 9 acquires `gblcnt_mutex` and line 16 releases it. Line 10 initializes local variable `sum` to the value of `globalcount`, and the loop spanning lines 11-15 adds the per-thread counters to this sum, isolating each per-thread counter using `split_ctrandmax` on line 13. Finally, line 17 returns the sum.

Figures 5.20 and 5.21 shows the utility functions `globalize_count()`, `flush_local_count()`, `balance_count()`, `count_register_thread()`, and `count_unregister_thread()`. The code for `globalize_count()` is shown on lines 1-12, of Figure 5.20 and is similar to that of previous algorithms, with the addition of line 7, which is now required to split out `counter` and `countermax` from `ctrandmax`.

The code for `flush_local_count()`, which moves all threads' local counter state to the global counter, is shown on lines 14-32. Line 22 checks to see if the value of `globalreserve` permits any per-thread counts, and, if not, line 23 returns. Otherwise, line 24 initializes local variable `zero` to a combined zeroed `counter` and `countermax`. The loop spanning lines 25-31 sequences through each thread. Line 26 checks to see if the current thread has counter state, and, if so, lines 27-30 move that state to the global counters. Line 27 atomically fetches the current thread's state while replacing it with zero. Line 28 splits this state into its `counter` (in local variable `c`) and `countermax` (in local variable `cm`) components. Line 29 adds this thread's counter to `globalcount`, while line 30 subtracts this thread's `countermax` from `globalreserve`.

**Quick Quiz 5.42:** What stops a thread from simply refilling its `ctrandmax` variable immediately after `flush_local_count()` on line 14 of Figure 5.20 empties it? ■

**Quick Quiz 5.43:** What prevents concurrent execution of the fastpath of either `atomic_add()` or `atomic_sub()` from interfering with the `ctrandmax` variable while `flush_local_count()` is accessing it on line 27 of Figure 5.20 empties it? ■

Lines 1-22 on Figure 5.21 show the code for `balance_count()`, which refills the calling thread's local `ctrandmax` variable. This function is quite similar to that

```

1 static void globalize_count(void)
2 {
3     int c;
4     int cm;
5     int old;
6
7     split_ctrandmax(&ctrandmax, &old, &c, &cm);
8     globalcount += c;
9     globalreserve -= cm;
10    old = merge_ctrandmax(0, 0);
11    atomic_set(&ctrandmax, old);
12 }
13
14 static void flush_local_count(void)
15 {
16     int c;
17     int cm;
18     int old;
19     int t;
20     int zero;
21
22     if (globalreserve == 0)
23         return;
24     zero = merge_ctrandmax(0, 0);
25     for_each_thread(t)
26         if (counterp[t] != NULL) {
27             old = atomic_xchg(counterp[t], zero);
28             split_ctrandmax_int(old, &c, &cm);
29             globalcount += c;
30             globalreserve -= cm;
31         }
32 }

```

Figure 5.20: Atomic Limit Counter Utility Functions 1

of the preceding algorithms, with changes required to handle the merged `ctrandmax` variable. Detailed analysis of the code is left as an exercise for the reader, as it is with the `count_register_thread()` function starting on line 24 and the `count_unregister_thread()` function starting on line 33.

**Quick Quiz 5.44:** Given that the `atomic_set()` primitive does a simple store to the specified `atomic_t`, how can line 21 of `balance_count()` in Figure 5.21 work correctly in face of concurrent `flush_local_count()` updates to this variable? ■

The next section qualitatively evaluates this design.

## 5.4.2 Atomic Limit Counter Discussion

This is the first implementation that actually allows the counter to be run all the way to either of its limits, but it does so at the expense of adding atomic operations to the fastpaths, which slow down the fastpaths significantly on some systems. Although some workloads might tolerate this slowdown, it is worthwhile looking for algorithms with better read-side performance. One such algorithm uses a signal handler to steal counts from other threads. Because signal handlers run in the context of the signaled thread, atomic operations are not necessary, as shown in the next section.

**Quick Quiz 5.45:** But signal handlers can be migrated to some other CPU while running. Doesn't this possibility require that atomic instructions and memory barriers are required to reliably communicate between a thread and a signal handler that interrupts that thread? ■

```

1 static void balance_count(void)
2 {
3     int c;
4     int cm;
5     int old;
6     unsigned long limit;
7
8     limit = globalcountmax - globalcount -
9           globalreserve;
10    limit /= num_online_threads();
11    if (limit > MAX_COUNTERMAX)
12        cm = MAX_COUNTERMAX;
13    else
14        cm = limit;
15    globalreserve += cm;
16    c = cm / 2;
17    if (c > globalcount)
18        c = globalcount;
19    globalcount -= c;
20    old = merge_ctrandmax(c, cm);
21    atomic_set(&ctrandmax, old);
22 }
23
24 void count_register_thread(void)
25 {
26     int idx = smp_thread_id();
27
28     spin_lock(&gblcnt_mutex);
29     counterp[idx] = &ctrandmax;
30     spin_unlock(&gblcnt_mutex);
31 }
32
33 void count_unregister_thread(int nthreadsexpected)
34 {
35     int idx = smp_thread_id();
36
37     spin_lock(&gblcnt_mutex);
38     globalize_count();
39     counterp[idx] = NULL;
40     spin_unlock(&gblcnt_mutex);
41 }

```

Figure 5.21: Atomic Limit Counter Utility Functions 2

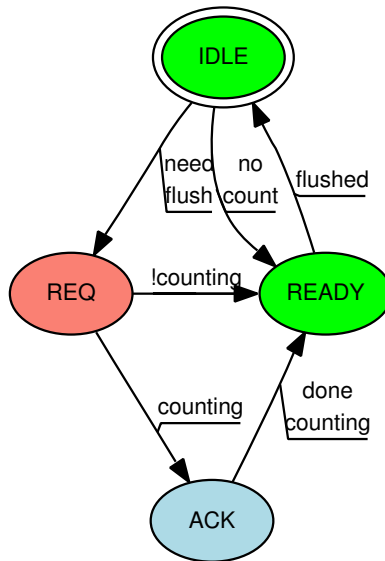


Figure 5.22: Signal-Theft State Machine

### 5.4.3 Signal-Theft Limit Counter Design

Even though per-thread state will now be manipulated only by the corresponding thread, there will still need to be synchronization with the signal handlers. This synchronization is provided by the state machine shown in Figure 5.22. The state machine starts out in the IDLE state, and when `add_count()` or `sub_count()` find that the combination of the local thread's count and the global count cannot accommodate the request, the corresponding slowpath sets each thread's `theft` state to REQ (unless that thread has no count, in which case it transitions directly to READY). Only the slowpath, which holds the `gblcnt_mutex` lock, is permitted to transition from the IDLE state, as indicated by the green color.<sup>3</sup> The slowpath then sends a signal to each thread, and the corresponding signal handler checks the corresponding thread's `theft` and `counting` variables. If the `theft` state is not REQ, then the signal handler is not permitted to change the state, and therefore simply returns. Otherwise, if the `counting` variable is set, indicating that the current thread's fastpath is in progress, the signal handler sets the `theft` state to ACK, otherwise to READY.

If the `theft` state is ACK, only the fastpath is permitted to change the `theft` state, as indicated by the blue color. When the fastpath completes, it sets the `theft` state to READY.

Once the slowpath sees a thread's `theft` state is READY, the slowpath is permitted to steal that thread's count. The slowpath then sets that thread's `theft` state to IDLE.

**Quick Quiz 5.46:** In Figure 5.22, why is the REQ `theft` state colored red? ■

**Quick Quiz 5.47:** In Figure 5.22, what is the point of having separate REQ and ACK `theft` states? Why not simplify the state machine by collapsing them into a single REQACK state? Then whichever of the signal handler or the fastpath gets there first could set the state to READY. ■

<sup>3</sup> For those with black-and-white versions of this book, IDLE and READY are green, REQ is red, and ACK is blue.

```

1 #define THEFT_IDLE 0
2 #define THEFT_REQ 1
3 #define THEFT_ACK 2
4 #define THEFT_READY 3
5
6 int __thread theft = THEFT_IDLE;
7 int __thread counting = 0;
8 unsigned long __thread counter = 0;
9 unsigned long __thread countermax = 0;
10 unsigned long globalcountmax = 10000;
11 unsigned long globalcount = 0;
12 unsigned long globalreserve = 0;
13 unsigned long *counterp[NR_THREADS] = { NULL };
14 unsigned long *countermaxp[NR_THREADS] = { NULL };
15 int *theftp[NR_THREADS] = { NULL };
16 DEFINE_SPINLOCK(gblcnt_mutex);
17 #define MAX_COUNTERMAX 100

```

Figure 5.23: Signal-Theft Limit Counter Data

#### 5.4.4 Signal-Theft Limit Counter Implementation

Figure 5.23 (`count_lim_sig.c`) shows the data structures used by the signal-theft based counter implementation. Lines 1-7 define the states and values for the per-thread theft state machine described in the preceding section. Lines 8-17 are similar to earlier implementations, with the addition of lines 14 and 15 to allow remote access to a thread's `countermax` and `theft` variables, respectively.

Figure 5.24 shows the functions responsible for migrating counts between per-thread variables and the global variables. Lines 1-7 shows `globalize_count()`, which is identical to earlier implementations. Lines 9-19 shows `flush_local_count_sig()`, which is the signal handler used in the theft process. Lines 11 and 12 check to see if the `theft` state is `REQ`, and, if not returns without change. Line 13 executes a memory barrier to ensure that the sampling of the theft variable happens before any change to that variable. Line 14 sets the `theft` state to `ACK`, and, if line 15 sees that this thread's fastpaths are not running, line 16 sets the `theft` state to `READY`.

**Quick Quiz 5.48:** In Figure 5.24 function `flush_local_count_sig()`, why are there `ACCESS_ONCE()` wrappers around the uses of the `theft` per-thread variable? ■

Lines 21-49 shows `flush_local_count()`, which is called from the slowpath to flush all threads' local counts. The loop spanning lines 26-34 advances the `theft` state for each thread that has local count, and also sends that thread a signal. Line 27 skips any non-existent threads. Otherwise, line 28 checks to see if the current thread holds any local count, and, if not, line 29 sets the thread's `theft` state to `READY` and line 30 skips to the next thread. Otherwise, line 32 sets the thread's `theft` state to `REQ` and line 33 sends the thread a signal.

**Quick Quiz 5.49:** In Figure 5.24, why is it safe for line 28 to directly access the other thread's `countermax` variable? ■

**Quick Quiz 5.50:** In Figure 5.24, why doesn't line 33 check for the current thread sending itself a signal? ■

**Quick Quiz 5.51:** The code in Figure 5.24, works with `gcc` and `POSIX`. What would be required to make it also conform to the `ISO C` standard? ■

The loop spanning lines 35-48 waits until each thread reaches `READY` state, then steals that thread's count. Lines 36-37 skip any non-existent threads, and the loop spanning lines 38-42 wait until the current thread's `theft` state becomes `READY`.

```

1 static void globalize_count(void)
2 {
3     globalcount += counter;
4     counter = 0;
5     globalreserve -= countermax;
6     countermax = 0;
7 }
8
9 static void flush_local_count_sig(int unused)
10 {
11     if (ACCESS_ONCE(theft) != THEFT_REQ)
12         return;
13     smp_mb();
14     ACCESS_ONCE(theft) = THEFT_ACK;
15     if (!counting) {
16         ACCESS_ONCE(theft) = THEFT_READY;
17     }
18     smp_mb();
19 }
20
21 static void flush_local_count(void)
22 {
23     int t;
24     thread_id_t tid;
25
26     for_each_tid(t, tid)
27         if (theftp[t] != NULL) {
28             if (*countermaxp[t] == 0) {
29                 ACCESS_ONCE(*theftp[t]) = THEFT_READY;
30                 continue;
31             }
32             ACCESS_ONCE(*theftp[t]) = THEFT_REQ;
33             pthread_kill(tid, SIGUSR1);
34         }
35     for_each_tid(t, tid) {
36         if (theftp[t] == NULL)
37             continue;
38         while (ACCESS_ONCE(*theftp[t]) != THEFT_READY) {
39             poll(NULL, 0, 1);
40             if (ACCESS_ONCE(*theftp[t]) == THEFT_REQ)
41                 pthread_kill(tid, SIGUSR1);
42         }
43         globalcount += *counterp[t];
44         *counterp[t] = 0;
45         globalreserve -= *countermaxp[t];
46         *countermaxp[t] = 0;
47         ACCESS_ONCE(*theftp[t]) = THEFT_IDLE;
48     }
49 }
50
51 static void balance_count(void)
52 {
53     countermax = globalcountmax -
54                 globalcount - globalreserve;
55     countermax /= num_online_threads();
56     if (countermax > MAX_COUNTERMAX)
57         countermax = MAX_COUNTERMAX;
58     globalreserve += countermax;
59     counter = countermax / 2;
60     if (counter > globalcount)
61         counter = globalcount;
62     globalcount -= counter;
63 }

```

Figure 5.24: Signal-Theft Limit Counter Value-Migration Functions



```

1 int add_count(unsigned long delta)
2 {
3     int fastpath = 0;
4
5     counting = 1;
6     barrier();
7     if (countermax - counter >= delta &&
8         ACCESS_ONCE(theft) <= THEFT_REQ) {
9         counter += delta;
10        fastpath = 1;
11    }
12    barrier();
13    counting = 0;
14    barrier();
15    if (ACCESS_ONCE(theft) == THEFT_ACK) {
16        smp_mb();
17        ACCESS_ONCE(theft) = THEFT_READY;
18    }
19    if (fastpath)
20        return 1;
21    spin_lock(&gblcnt_mutex);
22    globalize_count();
23    if (globalcountmax - globalcount -
24        globalreserve < delta) {
25        flush_local_count();
26        if (globalcountmax - globalcount -
27            globalreserve < delta) {
28            spin_unlock(&gblcnt_mutex);
29            return 0;
30        }
31    }
32    globalcount += delta;
33    balance_count();
34    spin_unlock(&gblcnt_mutex);
35    return 1;
36 }

```

Figure 5.25: Signal-Theft Limit Counter Add Function

Line 39 blocks for a millisecond to avoid priority-inversion problems, and if line 40 determines that the thread's signal has not yet arrived, line 41 resends the signal. Execution reaches line 43 when the thread's `theft` state becomes `READY`, so lines 43-46 do the thieving. Line 47 then sets the thread's `theft` state back to `IDLE`.

**Quick Quiz 5.52:** In Figure 5.24, why does line 41 resend the signal? ■

Lines 51-63 show `balance_count()`, which is similar to that of earlier examples.

Figure 5.25 shows the `add_count()` function. The fastpath spans lines 5-20, and the slowpath lines 21-35. Line 5 sets the per-thread `counting` variable to 1 so that any subsequent signal handlers interrupting this thread will set the `theft` state to `ACK` rather than `READY`, allowing this fastpath to complete properly. Line 6 prevents the compiler from reordering any of the fastpath body to precede the setting of `counting`. Lines 7 and 8 check to see if the per-thread data can accommodate the `add_count()` and if there is no ongoing theft in progress, and if so line 9 does the fastpath addition and line 10 notes that the fastpath was taken.

In either case, line 12 prevents the compiler from reordering the fastpath body to follow line 13, which permits any subsequent signal handlers to undertake theft. Line 14 again disables compiler reordering, and then line 15 checks to see if the signal handler deferred the `theft` state-change to `READY`, and, if so, line 16 executes a memory barrier to ensure that any CPU that sees line 17 setting state to `READY` also sees the effects of line 9. If the fastpath addition at line 9 was executed, then line 20 returns

```

38 int sub_count(unsigned long delta)
39 {
40     int fastpath = 0;
41
42     counting = 1;
43     barrier();
44     if (counter >= delta &&
45         ACCESS_ONCE(theft) <= THEFT_REQ) {
46         counter -= delta;
47         fastpath = 1;
48     }
49     barrier();
50     counting = 0;
51     barrier();
52     if (ACCESS_ONCE(theft) == THEFT_ACK) {
53         smp_mb();
54         ACCESS_ONCE(theft) = THEFT_READY;
55     }
56     if (fastpath)
57         return 1;
58     spin_lock(&gblcnt_mutex);
59     globalize_count();
60     if (globalcount < delta) {
61         flush_local_count();
62         if (globalcount < delta) {
63             spin_unlock(&gblcnt_mutex);
64             return 0;
65         }
66     }
67     globalcount -= delta;
68     balance_count();
69     spin_unlock(&gblcnt_mutex);
70     return 1;
71 }

```

Figure 5.26: Signal-Theft Limit Counter Subtract Function

```

1 unsigned long read_count(void)
2 {
3     int t;
4     unsigned long sum;
5
6     spin_lock(&gblcnt_mutex);
7     sum = globalcount;
8     for_each_thread(t)
9         if (counterp[t] != NULL)
10            sum += *counterp[t];
11     spin_unlock(&gblcnt_mutex);
12     return sum;
13 }

```

Figure 5.27: Signal-Theft Limit Counter Read Function

success.

Otherwise, we fall through to the slowpath starting at line 21. The structure of the slowpath is similar to those of earlier examples, so its analysis is left as an exercise to the reader. Similarly, the structure of `sub_count()` on Figure 5.26 is the same as that of `add_count()`, so the analysis of `sub_count()` is also left as an exercise for the reader, as is the analysis of `read_count()` in Figure 5.27.

Lines 1-12 of Figure 5.28 show `count_init()`, which set up `flush_local_count_sig()` as the signal handler for `SIGUSR1`, enabling the `pthread_kill()` calls in `flush_local_count()` to invoke `flush_local_count_sig()`. The code for thread registry and unregistry is similar to that of earlier examples, so its analysis is left as an exercise for the reader.

### 5.4.5 Signal-Theft Limit Counter Discussion

The signal-theft implementation runs more than twice as fast as the atomic implementation on my Intel Core Duo laptop. Is it always preferable?

The signal-theft implementation would be vastly preferable on Pentium-4 systems, given their slow atomic instructions, but the old 80386-based Sequent Symmetry systems would do much better with the shorter path length of the atomic implementation. However, this increased update-side performance comes at the prices of higher read-side overhead: Those POSIX signals are not free. If ultimate performance is of the essence, you will need to measure them both on the system that your application is to be deployed on.

**Quick Quiz 5.53:** Not only are POSIX signals slow, sending one to each thread simply does not scale. What would you do if you had (say) 10,000 threads and needed the read side to be fast? ■

This is but one reason why high-quality APIs are so important: they permit implementations to be changed as required by ever-changing hardware performance characteristics.

**Quick Quiz 5.54:** What if you want an exact limit counter to be exact only for its lower limit, but to allow the upper limit to be inexact? ■

## 5.5 Applying Specialized Parallel Counters

Although the exact limit counter implementations in Section 5.4 can be very useful, they are not much help if the counter's value remains near zero at all times, as it might when

```

1 void count_init(void)
2 {
3     struct sigaction sa;
4
5     sa.sa_handler = flush_local_count_sig;
6     sigemptyset(&sa.sa_mask);
7     sa.sa_flags = 0;
8     if (sigaction(SIGUSR1, &sa, NULL) != 0) {
9         perror("sigaction");
10        exit(-1);
11    }
12 }
13
14 void count_register_thread(void)
15 {
16     int idx = smp_thread_id();
17
18     spin_lock(&gblcnt_mutex);
19     counterp[idx] = &counter;
20     countermaxp[idx] = &countermax;
21     theftp[idx] = &theft;
22     spin_unlock(&gblcnt_mutex);
23 }
24
25 void count_unregister_thread(int nthreadsexpected)
26 {
27     int idx = smp_thread_id();
28
29     spin_lock(&gblcnt_mutex);
30     globalize_count();
31     counterp[idx] = NULL;
32     countermaxp[idx] = NULL;
33     theftp[idx] = NULL;
34     spin_unlock(&gblcnt_mutex);
35 }

```

Figure 5.28: Signal-Theft Limit Counter Initialization Functions

counting the number of outstanding accesses to an I/O device. The high overhead of such near-zero counting is especially painful given that we normally don't care how many references there are. As noted in the removable I/O device access-count problem posed by Quick Quiz 5.5, the number of accesses is irrelevant except in those rare cases when someone is actually trying to remove the device.

One simple solution to this problem is to add a large "bias" (for example, one billion) to the counter in order to ensure that the value is far enough from zero that the counter can operate efficiently. When someone wants to remove the device, this bias is subtracted from the counter value. Counting the last few accesses will be quite inefficient, but the important point is that the many prior accesses will have been counted at full speed.

**Quick Quiz 5.55:** What else had you better have done when using a biased counter? ■

Although a biased counter can be quite helpful and useful, it is only a partial solution to the removable I/O device access-count problem called out on page 49. When attempting to remove a device, we must not only know the precise number of current I/O accesses, we also need to prevent any future accesses from starting. One way to accomplish this is to read-acquire a reader-writer lock when updating the counter, and to write-acquire that same reader-writer lock when checking the counter. Code for doing I/O might be as follows:

```
1 read_lock(&mylock);
2 if (removing) {
3   read_unlock(&mylock);
4   cancel_io();
5 } else {
6   add_count(1);
7   read_unlock(&mylock);
8   do_io();
9   sub_count(1);
10 }
```

Line 1 read-acquires the lock, and either line 3 or 7 releases it. Line 2 checks to see if the device is being removed, and, if so, line 3 releases the lock and line 4 cancels the I/O, or takes whatever action is appropriate given that the device is to be removed. Otherwise, line 6 increments the access count, line 7 releases the lock, line 8 performs the I/O, and line 9 decrements the access count.

**Quick Quiz 5.56:** This is ridiculous! We are *read*-acquiring a reader-writer lock to *update* the counter? What are you playing at???

The code to remove the device might be as follows:

```
1 write_lock(&mylock);
2 removing = 1;
3 sub_count(mybias);
4 write_unlock(&mylock);
5 while (read_count() != 0) {
6   poll(NULL, 0, 1);
7 }
8 remove_device();
```

Line 1 write-acquires the lock and line 4 releases it. Line 2 notes that the device is being removed, and the loop spanning lines 5-7 wait for any I/O operations to complete.

Algorithm	Section	Updates	Reads	
			1 Core	32 Cores
<code>count_stat.c</code>	5.2.2	11.5 ns	408 ns	409 ns
<code>count_stat_eventual.c</code>	5.2.3	11.6 ns	1 ns	1 ns
<code>count_end.c</code>	5.2.4	6.3 ns	389 ns	51,200 ns
<code>count_end_rcu.c</code>	13.2.1	5.7 ns	354 ns	501 ns

Table 5.1: Statistical Counter Performance on Power-6

Algorithm	Section	Exact?	Updates	Reads	
				1 Core	64 Cores
<code>count_lim.c</code>	5.3.2	N	3.6 ns	375 ns	50,700 ns
<code>count_lim_app.c</code>	5.3.4	N	11.7 ns	369 ns	51,000 ns
<code>count_lim_atomic.c</code>	5.4.1	Y	51.4 ns	427 ns	49,400 ns
<code>count_lim_sig.c</code>	5.4.4	Y	10.2 ns	370 ns	54,000 ns

Table 5.2: Limit Counter Performance on Power-6

Finally, line 8 does any additional processing needed to prepare for device removal.

**Quick Quiz 5.57:** What other issues would need to be accounted for in a real system? ■

## 5.6 Parallel Counting Discussion

This chapter has presented the reliability, performance, and scalability problems with traditional counting primitives. The C-language `++` operator is not guaranteed to function reliably in multithreaded code, and atomic operations to a single variable neither perform nor scale well. This chapter has also presented a number of counting algorithms that perform and scale extremely well in certain special cases.

Table 5.1 shows the performance of the four parallel statistical counting algorithms. All four algorithms provide near-perfect linear scalability for updates. The per-thread-variable implementation (`count_stat.c`) is significantly faster on updates than the array-based implementation (`count_end.c`), but is slower at reads, and suffers severe lock contention when there are many parallel readers. This contention can be addressed using the deferred-processing techniques introduced in Chapter 9, as shown on the `count_end_rcu.c` row of Table 5.1. Deferred processing also shines on the `count_stat_eventual.c` row, courtesy of eventual consistency.

**Quick Quiz 5.58:** On the `count_stat.c` row of Table 5.1, we see that the update side scales linearly with the number of threads. How is that possible given that the more threads there are, the more per-thread counters must be summed up? ■

**Quick Quiz 5.59:** Even on the last row of Table 5.1, the read-side performance of these statistical counter implementations is pretty horrible. So why bother with them? ■

Figure 5.2 shows the performance of the parallel limit-counting algorithms. Exact enforcement of the limits incurs a substantial performance penalty, although on this 4.7GHz Power-6 system that penalty can be reduced by substituting read-side signals for update-side atomic operations. All of these implementations suffer from read-side

lock contention in the face of concurrent readers.

**Quick Quiz 5.60:** Given the performance data shown in Table 5.2, we should always prefer update-side signals over read-side atomic operations, right? ■

**Quick Quiz 5.61:** Can advanced techniques be applied to address the lock contention for readers seen in Table 5.2? ■

The fact that these algorithms only work well in their respective special cases might be considered a major problem with parallel programming in general. After all, the C-language ++ operator works just fine in single-threaded code, and not just for special cases, but in general, right?

This line of reasoning does contain a grain of truth, but is in essence misguided. The problem is not parallelism as such, but rather scalability. To understand this, first consider the C-language ++ operator. The fact is that it does *not* work in general, only for a restricted range of numbers. If you need to deal with 1,000-digit decimal numbers, the C-language ++ operator will not work for you.

**Quick Quiz 5.62:** The ++ operator works just fine for 1,000-digit numbers! Haven't you heard of operator overloading?? ■

This problem is not specific to arithmetic. Suppose you need to store and query data. Should you use an ASCII file? XML? A relational database? A linked list? A dense array? A B-tree? A radix tree? Or one of the plethora of other data structures and environments that permit data to be stored and queried? It depends on what you need to do, how fast you need it done, and how large your data set is.

Similarly, if you need to count, your solution will depend on how large of numbers you need to work with, how many CPUs need to be manipulating a given number concurrently, how the number is to be used, and what level of performance and scalability you will need.

Nor is this problem specific to software. The design for a bridge meant to allow people to walk across a small brook might be as simple as a single wooden plank. But you would probably not use a plank to span the kilometers-wide mouth of the Columbia River, nor would such a design be advisable for bridges carrying concrete trucks. In short, just as bridge design must change with increasing span and load, so must software design change as the number of CPUs increases.

The examples in this chapter have shown that an important tool permitting large numbers of CPUs to be brought to bear is *partitioning*. The counters might be fully partitioned, as in the statistical counters discussed in Section 5.2, or partially partitioned as in the limit counters discussed in Sections 5.3 and 5.4. Partitioning in general will be considered in far greater depth in Chapter 6, and partial parallelization in particular in Section 6.4, where it is called *parallel fastpath*.

**Quick Quiz 5.63:** But if we are going to have to partition everything, why bother with shared-memory multithreading? Why not just partition the problem completely and run as multiple processes, each in its own address space? ■

The partially partitioned counting algorithms used locking to guard the global data, and locking is the subject of Chapter 7. In contrast, the partitioned data tended to be fully under the control of the corresponding thread, so that no synchronization whatsoever was required. This *data ownership* will be introduced in Section 6.3.4 and discussed in more detail in Chapter 8.

Finally, the eventually consistent statistical counter discussed in Section 5.2.3 showed how deferring activity (in that case, updating the global counter) can provide substantial performance and scalability benefits. Chapter 9 will examine a number of additional ways that deferral can improve performance, scalability, and even real-time

response.

Summarizing the summary:

1. Partitioning promotes performance and scalability.
2. Partial partitioning, that is, partitioning applied only to common code paths, works almost as well.
3. Partial partitioning can be applied to code (as in Section 5.2's statistical counters' partitioned updates and non-partitioned reads), but also across time (as in Section 5.3's and Section 5.4's and limit counters running fast when far from the limit, but slowly when close to the limit).
4. Read-only code paths should remain read-only: Spurious synchronization writes to shared memory kill performance and scalability, as seen in the `count_end.c` row of Table 5.1.
5. Judicious use of delay promotes performance and scalability, as seen in Section 5.2.3.
6. Parallel performance and scalability is usually a balancing act: Beyond a certain point, optimizing some code paths will degrade others. The `count_stat.c` and `count_end_rcu.c` rows of Table 5.1 illustrate this point.
7. Different levels of performance and scalability will affect algorithm and data-structure design, as do a large number of other factors. Figure 5.3 illustrates this point: Atomic increment might be completely acceptable for a two-CPU system, but be completely inadequate for an eight-CPU system.

In short, as noted at the beginning of this chapter, the simplicity of the concepts underlying counting have allowed us to explore many fundamental concurrency issues without the distraction of elaborate data structures or complex synchronization primitives. Later chapters dig more deeply into these fundamental issues.



## Chapter 6

# Partitioning and Synchronization Design

This chapter describes how to design software to take advantage of the multiple CPUs that are increasingly appearing in commodity systems. It does this by presenting a number of idioms, or “design patterns” [Ale79, GHJV95, SSRB00] that can help you balance performance, scalability, and response time. As noted in earlier chapters, the most important decision you will make when creating parallel software is how to carry out the partitioning. Correctly partitioned problems lead to simple, scalable, and high-performance solutions, while poorly partitioned problems result in slow and complex solutions. This chapter will help you design partitioning into your code. The word “design” is very important: You should partition first and code second. Reversing this order often leads to poor performance and scalability along with great frustration.

To this end, Section 6.1 presents partitioning exercises, Section 6.2 reviews partitionability design criteria, Section 6.3 discusses selecting an appropriate synchronization granularity, Section 6.4 gives an overview of important parallel-fastpath designs that provide speed and scalability in the common case with a simpler but less-scalable fallback “slow path” for unusual situations, and finally Section 6.5 takes a brief look beyond partitioning.

### 6.1 Partitioning Exercises

This section uses a pair of exercises (the classic Dining Philosophers problem and a double-ended queue) to demonstrate the value of partitioning.

#### 6.1.1 Dining Philosophers Problem

Figure 6.1 shows a diagram of the classic Dining Philosophers problem [Dij71]. This problem features five philosophers who do nothing but think and eat a “very difficult kind of spaghetti” which requires two forks to eat. A given philosopher is permitted to use only the forks to his or her immediate right and left, and once a philosopher picks up a fork, he or she will not put it down until sated.<sup>1</sup>

---

<sup>1</sup> Readers who have difficulty imagining a food that requires two forks are invited to instead think in terms of chopsticks.

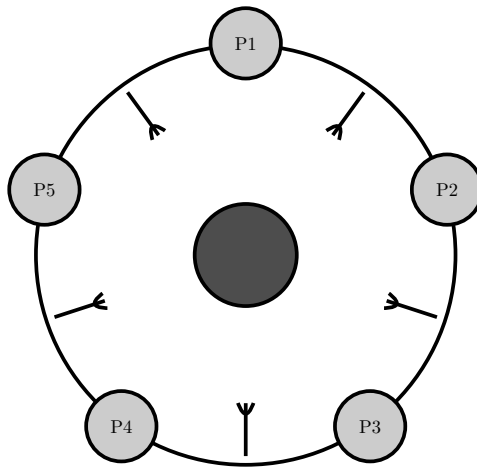


Figure 6.1: Dining Philosophers Problem

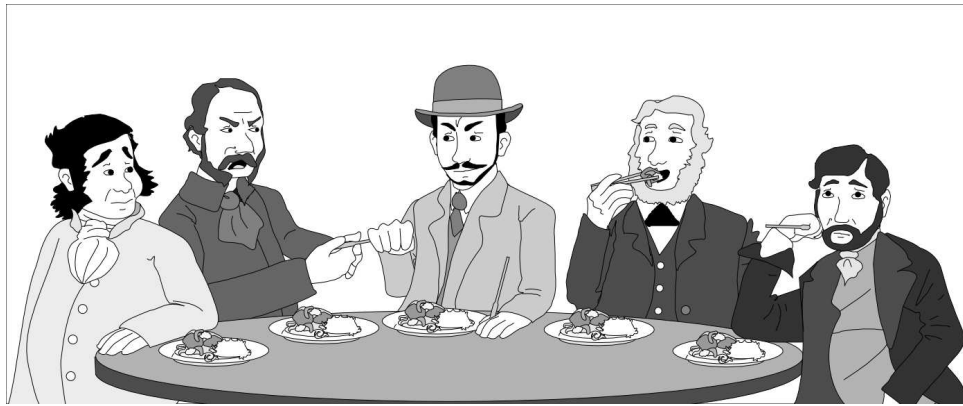


Figure 6.2: Partial Starvation Is Also Bad

The object is to construct an algorithm that, quite literally, prevents starvation. One starvation scenario would be if all of the philosophers picked up their leftmost forks simultaneously. Because none of them would put down their fork until after they ate, and because none of them may pick up their second fork until at least one has finished eating, they all starve. Please note that it is not sufficient to allow at least one philosopher to eat. As Figure 6.2 shows, starvation of even a few of the philosophers is to be avoided.

Dijkstra's solution used a global semaphore, which works fine assuming negligible communications delays, an assumption that became invalid in the late 1980s or early 1990s.<sup>2</sup> Therefore, recent solutions number the forks as shown in Figure 6.3. Each philosopher picks up the lowest-numbered fork next to his or her plate, then picks up the highest-numbered fork. The philosopher sitting in the uppermost position in the

<sup>2</sup> It is all too easy to denigrate Dijkstra from the viewpoint of the year 2012, more than 40 years after the fact. If you still feel the need to denigrate Dijkstra, my advice is to publish something, wait 40 years, and then see how *your* words stood the test of time.

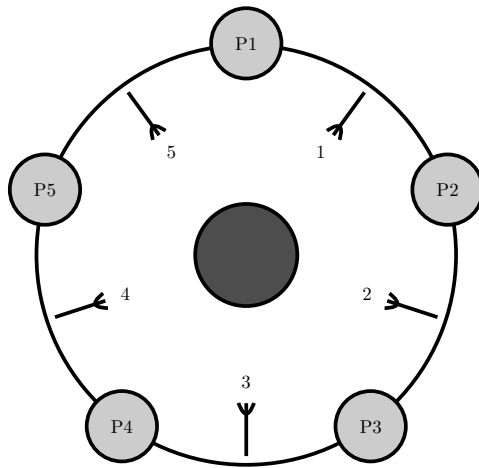


Figure 6.3: Dining Philosophers Problem, Textbook Solution

diagram thus picks up the leftmost fork first, then the rightmost fork, while the rest of the philosophers instead pick up their rightmost fork first. Because two of the philosophers will attempt to pick up fork 1 first, and because only one of those two philosophers will succeed, there will be five forks available to four philosophers. At least one of these four will be guaranteed to have two forks, and thus be able to proceed eating.

This general technique of numbering resources and acquiring them in numerical order is heavily used as a deadlock-prevention technique. However, it is easy to imagine a sequence of events that will result in only one philosopher eating at a time even though all are hungry:

1. P2 picks up fork 1, preventing P1 from taking a fork.
2. P3 picks up fork 2.
3. P4 picks up fork 3.
4. P5 picks up fork 4.
5. P5 picks up fork 5 and eats.
6. P5 puts down forks 4 and 5.
7. P4 picks up fork 4 and eats.

In short, this algorithm can result in only one philosopher eating at a given time, even when all five philosophers are hungry, despite the fact that there are more than enough forks for two philosophers to eat concurrently.

Please think about ways of partitioning the Dining Philosophers Problem before reading further.



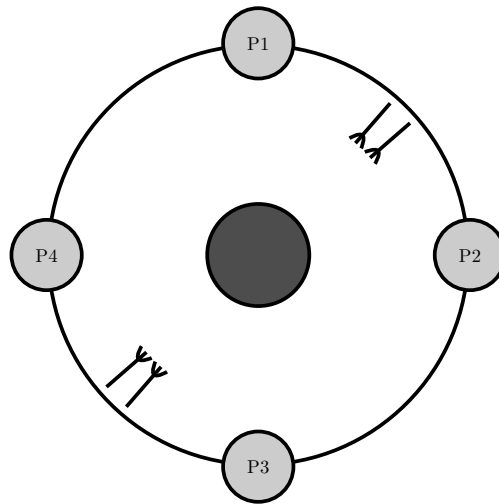


Figure 6.4: Dining Philosophers Problem, Partitioned

One approach is shown in Figure 6.4, which includes four philosophers rather than five to better illustrate the partition technique. Here the upper and rightmost philosophers share a pair of forks, while the lower and leftmost philosophers share another pair of forks. If all philosophers are simultaneously hungry, at least two will always be able to eat concurrently. In addition, as shown in the figure, the forks can now be bundled so that the pair are picked up and put down simultaneously, simplifying the acquisition and release algorithms.

**Quick Quiz 6.1:** Is there a better solution to the Dining Philosophers Problem? ■

This is an example of “horizontal parallelism” [Inm85] or “data parallelism”, so named because there is no dependency among the pairs of philosophers. In a horizontally parallel data-processing system, a given item of data would be processed by only one of a replicated set of software components.

**Quick Quiz 6.2:** And in just what sense can this “horizontal parallelism” be said to be “horizontal”? ■

## 6.1.2 Double-Ended Queue

A double-ended queue is a data structure containing a list of elements that may be inserted or removed from either end [Knu73]. It has been claimed that a lock-based implementation permitting concurrent operations on both ends of the double-ended queue is difficult [Gro07]. This section shows how a partitioning design strategy can result in a reasonably simple implementation, looking at three general approaches in the following sections.

### 6.1.2.1 Left- and Right-Hand Locks

One seemingly straightforward approach would be to use a doubly linked list with a left-hand lock for left-hand-end enqueue and dequeue operations along with a right-hand lock for right-hand-end operations, as shown in Figure 6.5. However, the problem with this approach is that the two locks’ domains must overlap when there are fewer than

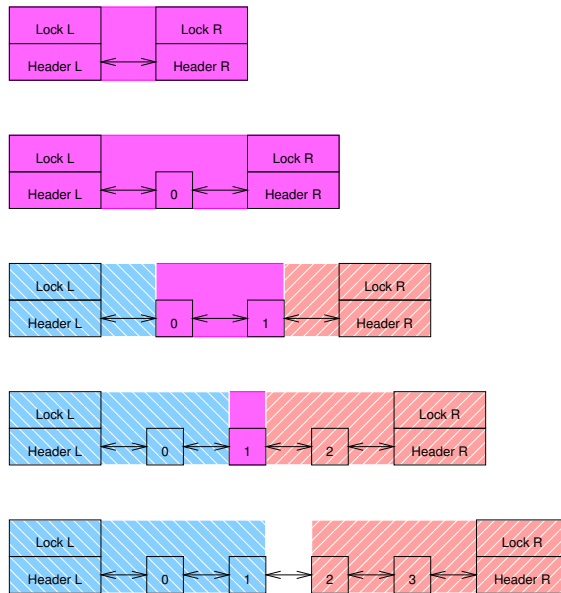


Figure 6.5: Double-Ended Queue With Left- and Right-Hand Locks

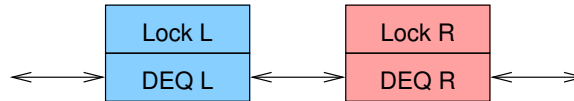


Figure 6.6: Compound Double-Ended Queue

four elements on the list. This overlap is due to the fact that removing any given element affects not only that element, but also its left- and right-hand neighbors. These domains are indicated by color in the figure, with blue with downward stripes indicating the domain of the left-hand lock, red with upward stripes indicating the domain of the right-hand lock, and purple (with no stripes) indicating overlapping domains. Although it is possible to create an algorithm that works this way, the fact that it has no fewer than five special cases should raise a big red flag, especially given that concurrent activity at the other end of the list can shift the queue from one special case to another at any time. It is far better to consider other designs.

### 6.1.2.2 Compound Double-Ended Queue

One way of forcing non-overlapping lock domains is shown in Figure 6.6. Two separate double-ended queues are run in tandem, each protected by its own lock. This means that elements must occasionally be shuttled from one of the double-ended queues to the other, in which case both locks must be held. A simple lock hierarchy may be used to avoid deadlock, for example, always acquiring the left-hand lock before acquiring the right-hand lock. This will be much simpler than applying two locks to the same double-ended queue, as we can unconditionally left-enqueue elements to the left-hand

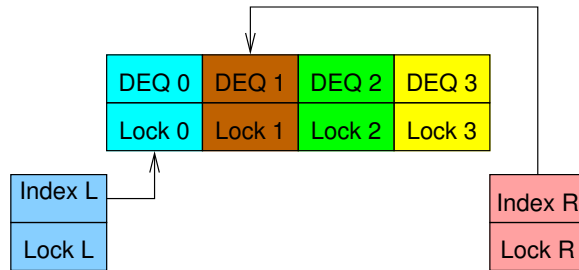


Figure 6.7: Hashed Double-Ended Queue

queue and right-enqueue elements to the right-hand queue. The main complication arises when dequeuing from an empty queue, in which case it is necessary to:

1. If holding the right-hand lock, release it and acquire the left-hand lock.
2. Acquire the right-hand lock.
3. Rebalance the elements across the two queues.
4. Remove the required element if there is one.
5. Release both locks.

**Quick Quiz 6.3:** In this compound double-ended queue implementation, what should be done if the queue has become non-empty while releasing and reacquiring the lock? ■

The resulting code (`locktdeq.c`) is quite straightforward. The rebalancing operation might well shuttle a given element back and forth between the two queues, wasting time and possibly requiring workload-dependent heuristics to obtain optimal performance. Although this might well be the best approach in some cases, it is interesting to try for an algorithm with greater determinism.

### 6.1.2.3 Hashed Double-Ended Queue

One of the simplest and most effective ways to deterministically partition a data structure is to hash it. It is possible to trivially hash a double-ended queue by assigning each element a sequence number based on its position in the list, so that the first element left-enqueued into an empty queue is numbered zero and the first element right-enqueued into an empty queue is numbered one. A series of elements left-enqueued into an otherwise-idle queue would be assigned decreasing numbers (-1, -2, -3, ...), while a series of elements right-enqueued into an otherwise-idle queue would be assigned increasing numbers (2, 3, 4, ...). A key point is that it is not necessary to actually represent a given element's number, as this number will be implied by its position in the queue.

Given this approach, we assign one lock to guard the left-hand index, one to guard the right-hand index, and one lock for each hash chain. Figure 6.7 shows the resulting data structure given four hash chains. Note that the lock domains do not overlap, and that deadlock is avoided by acquiring the index locks before the chain locks, and by never acquiring more than one lock of each type (index or chain) at a time.

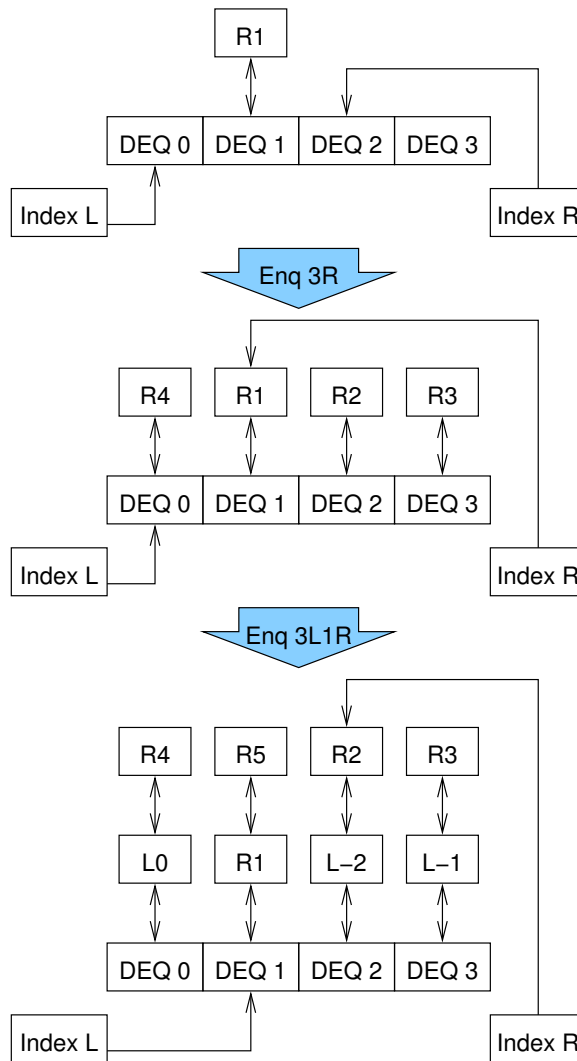


Figure 6.8: Hashed Double-Ended Queue After Insertions

Each hash chain is itself a double-ended queue, and in this example, each holds every fourth element. The uppermost portion of Figure 6.8 shows the state after a single element (“R1”) has been right-enqueued, with the right-hand index having been incremented to reference hash chain 2. The middle portion of this same figure shows the state after three more elements have been right-enqueued. As you can see, the indexes are back to their initial states (see Figure 6.7), however, each hash chain is now non-empty. The lower portion of this figure shows the state after three additional elements have been left-enqueued and an additional element has been right-enqueued.

From the last state shown in Figure 6.8, a left-dequeue operation would return element “L-2” and leave the left-hand index referencing hash chain 2, which would then contain only a single element (“R2”). In this state, a left-enqueue running concurrently with a right-enqueue would result in lock contention, but the probability of such



R4	R5	R6	R7
L0	R1	R2	R3
L-4	L-3	L-2	L-1
L-8	L-7	L-6	L-5

Figure 6.9: Hashed Double-Ended Queue With 12 Elements

```

1 struct pdeq {
2     spinlock_t llock;
3     int lid;
4     spinlock_t rlock;
5     int rid;
6     struct deq bkt[DEQ_N_BKTS];
7 };

```

Figure 6.10: Lock-Based Parallel Double-Ended Queue Data Structure

contention can be reduced to arbitrarily low levels by using a larger hash table.

Figure 6.9 shows how 12 elements would be organized in a four-hash-bucket parallel double-ended queue. Each underlying single-lock double-ended queue holds a one-quarter slice of the full parallel double-ended queue.

Figure 6.10 shows the corresponding C-language data structure, assuming an existing `struct deq` that provides a trivially locked double-ended-queue implementation. This data structure contains the left-hand lock on line 2, the left-hand index on line 3, the right-hand lock on line 4 (which is cache-aligned in the actual implementation), the right-hand index on line 5, and, finally, the hashed array of simple lock-based double-ended queues on line 6. A high-performance implementation would of course use padding or special alignment directives to avoid false sharing.

Figure 6.11 (`lockhdeq.c`) shows the implementation of the enqueue and dequeue functions.<sup>3</sup> Discussion will focus on the left-hand operations, as the right-hand operations are trivially derived from them.

Lines 1-13 show `pdeq_pop_l()`, which left-dequeues and returns an element if possible, returning `NULL` otherwise. Line 6 acquires the left-hand spinlock, and line 7 computes the index to be dequeued from. Line 8 dequeues the element, and, if line 9 finds the result to be non-`NULL`, line 10 records the new left-hand index. Either way, line 11 releases the lock, and, finally, line 12 returns the element if there was one, or `NULL` otherwise.

Lines 29-38 shows `pdeq_push_l()`, which left-enqueues the specified element. Line 33 acquires the left-hand lock, and line 34 picks up the left-hand index. Line 35 left-enqueues the specified element onto the double-ended queue indexed by the left-hand index. Line 36 then updates the left-hand index and line 37 releases the lock.

As noted earlier, the right-hand operations are completely analogous to their left-handed counterparts, so their analysis is left as an exercise for the reader.

**Quick Quiz 6.4:** Is the hashed double-ended queue a good solution? Why or why not? ■

<sup>3</sup> One could easily create a polymorphic implementation in any number of languages, but doing so is left as an exercise for the reader.

```

1 struct cds_list_head *pdeq_pop_l(struct pdeq *d)
2 {
3     struct cds_list_head *e;
4     int i;
5
6     spin_lock(&d->llock);
7     i = moveright(d->lidx);
8     e = deq_pop_l(&d->bkt[i]);
9     if (e != NULL)
10        d->lidx = i;
11    spin_unlock(&d->llock);
12    return e;
13 }
14
15 struct cds_list_head *pdeq_pop_r(struct pdeq *d)
16 {
17     struct cds_list_head *e;
18     int i;
19
20    spin_lock(&d->rlock);
21    i = moveleft(d->ridx);
22    e = deq_pop_r(&d->bkt[i]);
23    if (e != NULL)
24        d->ridx = i;
25    spin_unlock(&d->rlock);
26    return e;
27 }
28
29 void pdeq_push_l(struct cds_list_head *e, struct pdeq *d)
30 {
31     int i;
32
33    spin_lock(&d->llock);
34    i = d->lidx;
35    deq_push_l(e, &d->bkt[i]);
36    d->lidx = moveleft(d->lidx);
37    spin_unlock(&d->llock);
38 }
39
40 void pdeq_push_r(struct cds_list_head *e, struct pdeq *d)
41 {
42     int i;
43
44    spin_lock(&d->rlock);
45    i = d->ridx;
46    deq_push_r(e, &d->bkt[i]);
47    d->ridx = moveright(d->ridx);
48    spin_unlock(&d->rlock);
49 }

```

Figure 6.11: Lock-Based Parallel Double-Ended Queue Implementation

#### 6.1.2.4 Compound Double-Ended Queue Revisited

This section revisits the compound double-ended queue, using a trivial rebalancing scheme that moves all the elements from the non-empty queue to the now-empty queue.

**Quick Quiz 6.5:** Move *all* the elements to the queue that became empty? In what possible universe is this brain-dead solution in any way optimal???

In contrast to the hashed implementation presented in the previous section, the compound implementation will build on a sequential implementation of a double-ended queue that uses neither locks nor atomic operations.

Figure 6.12 shows the implementation. Unlike the hashed implementation, this compound implementation is asymmetric, so that we must consider the `pdeq_pop_l()` and `pdeq_pop_r()` implementations separately.

**Quick Quiz 6.6:** Why can't the compound parallel double-ended queue implementation be symmetric?

The `pdeq_pop_l()` implementation is shown on lines 1-16 of the figure. Line 5 acquires the left-hand lock, which line 14 releases. Line 6 attempts to left-dequeue an element from the left-hand underlying double-ended queue, and, if successful, skips lines 8-13 to simply return this element. Otherwise, line 8 acquires the right-hand lock, line 9 left-dequeues an element from the right-hand queue, and line 10 moves any remaining elements on the right-hand queue to the left-hand queue, line 11 initializes the right-hand queue, and line 12 releases the right-hand lock. The element, if any, that was dequeued on line 10 will be returned.

The `pdeq_pop_r()` implementation is shown on lines 18-38 of the figure. As before, line 22 acquires the right-hand lock (and line 36 releases it), and line 23 attempts to right-dequeue an element from the right-hand queue, and, if successful, skips lines 24-35 to simply return this element. However, if line 24 determines that there was no element to dequeue, line 25 releases the right-hand lock and lines 26-27 acquire both locks in the proper order. Line 28 then attempts to right-dequeue an element from the right-hand list again, and if line 29 determines that this second attempt has failed, line 30 right-dequeues an element from the left-hand queue (if there is one available), line 31 moves any remaining elements from the left-hand queue to the right-hand queue, and line 32 initializes the left-hand queue. Either way, line 34 releases the left-hand lock.

**Quick Quiz 6.7:** Why is it necessary to retry the right-dequeue operation on line 28 of Figure 6.12?

**Quick Quiz 6.8:** Surely the left-hand lock must *sometimes* be available!!! So why is it necessary that line 25 of Figure 6.12 unconditionally release the right-hand lock?

The `pdeq_push_l()` implementation is shown on lines 40-47 of Figure 6.12. Line 44 acquires the left-hand spinlock, line 45 left-enqueues the element onto the left-hand queue, and finally line 46 releases the lock. The `pdeq_enqueue_r()` implementation (shown on lines 49-56) is quite similar.

#### 6.1.2.5 Double-Ended Queue Discussion

The compound implementation is somewhat more complex than the hashed variant presented in Section 6.1.2.3, but is still reasonably simple. Of course, a more intelligent rebalancing scheme could be arbitrarily complex, but the simple scheme shown here has been shown to perform well compared to software alternatives [DCW<sup>+</sup>11] and even compared to algorithms using hardware assist [DLM<sup>+</sup>10]. Nevertheless, the best we can hope for from such a scheme is 2x scalability, as at most two threads can be holding the dequeue's locks concurrently. This limitation also applies to algorithms based on

```

1 struct cds_list_head *pdeq_pop_l(struct pdeq *d)
2 {
3     struct cds_list_head *e;
4
5     spin_lock(&d->llock);
6     e = deq_pop_l(&d->ldeq);
7     if (e == NULL) {
8         spin_lock(&d->rlock);
9         e = deq_pop_l(&d->rdeq);
10        cds_list_splice(&d->rdeq.chain, &d->ldeq.chain);
11        CDS_INIT_LIST_HEAD(&d->rdeq.chain);
12        spin_unlock(&d->rlock);
13    }
14    spin_unlock(&d->llock);
15    return e;
16 }
17
18 struct cds_list_head *pdeq_pop_r(struct pdeq *d)
19 {
20     struct cds_list_head *e;
21
22     spin_lock(&d->rlock);
23     e = deq_pop_r(&d->rdeq);
24     if (e == NULL) {
25         spin_unlock(&d->rlock);
26         spin_lock(&d->llock);
27         spin_lock(&d->rlock);
28         e = deq_pop_r(&d->rdeq);
29         if (e == NULL) {
30             e = deq_pop_r(&d->ldeq);
31             cds_list_splice(&d->ldeq.chain, &d->rdeq.chain);
32             CDS_INIT_LIST_HEAD(&d->ldeq.chain);
33         }
34         spin_unlock(&d->llock);
35     }
36     spin_unlock(&d->rlock);
37     return e;
38 }
39
40 void pdeq_push_l(struct cds_list_head *e, struct pdeq *d)
41 {
42     int i;
43
44     spin_lock(&d->llock);
45     deq_push_l(e, &d->ldeq);
46     spin_unlock(&d->llock);
47 }
48
49 void pdeq_push_r(struct cds_list_head *e, struct pdeq *d)
50 {
51     int i;
52
53     spin_lock(&d->rlock);
54     deq_push_r(e, &d->rdeq);
55     spin_unlock(&d->rlock);
56 }

```

Figure 6.12: Compound Parallel Double-Ended Queue Implementation

non-blocking synchronization, such as the compare-and-swap-based dequeue algorithm of Michael [Mic03].<sup>4</sup>

In fact, as noted by Dice et al. [DLM<sup>+</sup>10], an unsynchronized single-threaded double-ended queue significantly outperforms any of the parallel implementations they studied. Therefore, the key point is that there can be significant overhead enqueueing to or dequeueing from a shared queue, regardless of implementation. This should come as no surprise given the material in Chapter 3, given the strict FIFO nature of these queues.

Furthermore, these strict FIFO queues are strictly FIFO only with respect to *linearization points* [HW90]<sup>5</sup> that are not visible to the caller, in fact, in these examples, the linearization points are buried in the lock-based critical sections. These queues are not strictly FIFO with respect to (say) the times at which the individual operations started [HKLP12]. This indicates that the strict FIFO property is not all that valuable in concurrent programs, and in fact, Kirsch et al. present less-strict queues that provide improved performance and scalability [KLP12].<sup>6</sup> All that said, if you are pushing all the data used by your concurrent program through a single queue, you really need to rethink your overall design.

### 6.1.3 Partitioning Example Discussion

The optimal solution to the dining philosophers problem given in the answer to the Quick Quiz in Section 6.1.1 is an excellent example of “horizontal parallelism” or “data parallelism”. The synchronization overhead in this case is nearly (or even exactly) zero. In contrast, the double-ended queue implementations are examples of “vertical parallelism” or “pipelining”, given that data moves from one thread to another. The tighter coordination required for pipelining in turn requires larger units of work to obtain a given level of efficiency.

**Quick Quiz 6.9:** The tandem double-ended queue runs about twice as fast as the hashed double-ended queue, even when I increase the size of the hash table to an insanely large number. Why is that? ■

**Quick Quiz 6.10:** Is there a significantly better way of handling concurrency for double-ended queues? ■

These two examples show just how powerful partitioning can be in devising parallel algorithms. Section 6.3.5 looks briefly at a third example, matrix multiply. However, all three of these examples beg for more and better design criteria for parallel programs, a topic taken up in the next section.

## 6.2 Design Criteria

One way to obtain the best performance and scalability is to simply hack away until you converge on the best possible parallel program. Unfortunately, if your program is other than microscopically tiny, the space of possible parallel programs is so huge that

---

<sup>4</sup> This paper is interesting in that it showed that special double-compare-and-swap (DCAS) instructions are not needed for lock-free implementations of double-ended queues. Instead, the common compare-and-swap (e.g., x86 `cmpxchg`) suffices.

<sup>5</sup> In short, a linearization point is a single point within a given function where that function can be said to have taken effect. In this lock-based implementation, the linearization points can be said to be anywhere within the critical section that does the work.

<sup>6</sup> Nir Shavit produced relaxed stacks for roughly the same reasons [Sha11]. This situation leads some to believe that the linearization points are useful to theorists rather than developers, and leads others to wonder to what extent the designers of such data structures and algorithms were considering the needs of their users.

convergence is not guaranteed in the lifetime of the universe. Besides, what exactly is the “best possible parallel program”? After all, Section 2.2 called out no fewer than three parallel-programming goals of performance, productivity, and generality, and the best possible performance will likely come at a cost in terms of productivity and generality. We clearly need to be able to make higher-level choices at design time in order to arrive at an acceptably good parallel program before that program becomes obsolete.

However, more detailed design criteria are required to actually produce a real-world design, a task taken up in this section. This being the real world, these criteria often conflict to a greater or lesser degree, requiring that the designer carefully balance the resulting tradeoffs.

As such, these criteria may be thought of as the “forces” acting on the design, with particularly good tradeoffs between these forces being called “design patterns” [Ale79, GHJV95].

The design criteria for attaining the three parallel-programming goals are speedup, contention, overhead, read-to-write ratio, and complexity:

**Speedup:** As noted in Section 2.2, increased performance is the major reason to go to all of the time and trouble required to parallelize it. Speedup is defined to be the ratio of the time required to run a sequential version of the program to the time required to run a parallel version.

**Contention:** If more CPUs are applied to a parallel program than can be kept busy by that program, the excess CPUs are prevented from doing useful work by contention. This may be lock contention, memory contention, or a host of other performance killers.

**Work-to-Synchronization Ratio:** A uniprocessor, single-threaded, non-preemptible, and non-interruptible<sup>7</sup> version of a given parallel program would not need any synchronization primitives. Therefore, any time consumed by these primitives (including communication cache misses as well as message latency, locking primitives, atomic instructions, and memory barriers) is overhead that does not contribute directly to the useful work that the program is intended to accomplish. Note that the important measure is the relationship between the synchronization overhead and the overhead of the code in the critical section, with larger critical sections able to tolerate greater synchronization overhead. The work-to-synchronization ratio is related to the notion of synchronization efficiency.

**Read-to-Write Ratio:** A data structure that is rarely updated may often be replicated rather than partitioned, and furthermore may be protected with asymmetric synchronization primitives that reduce readers’ synchronization overhead at the expense of that of writers, thereby reducing overall synchronization overhead. Corresponding optimizations are possible for frequently updated data structures, as discussed in Chapter 5.

**Complexity:** A parallel program is more complex than an equivalent sequential program because the parallel program has a much larger state space than does the sequential program, although these larger state spaces can in some cases be easily understood given sufficient regularity and structure. A parallel programmer must

---

<sup>7</sup> Either by masking interrupts or by being oblivious to them.

consider synchronization primitives, messaging, locking design, critical-section identification, and deadlock in the context of this larger state space.

This greater complexity often translates to higher development and maintenance costs. Therefore, budgetary constraints can limit the number and types of modifications made to an existing program, since a given degree of speedup is worth only so much time and trouble. Worse yet, added complexity can actually *reduce* performance and scalability.

Therefore, beyond a certain point, there may be potential sequential optimizations that are cheaper and more effective than parallelization. As noted in Section 2.2.1, parallelization is but one performance optimization of many, and is furthermore an optimization that applies most readily to CPU-based bottlenecks.

These criteria will act together to enforce a maximum speedup. The first three criteria are deeply interrelated, so the remainder of this section analyzes these interrelationships.<sup>8</sup>

Note that these criteria may also appear as part of the requirements specification. For example, speedup may act as a relative desideratum (“the faster, the better”) or as an absolute requirement of the workload (“the system must support at least 1,000,000 web hits per second”). Classic design pattern languages describe relative desiderata as forces and absolute requirements as context.

An understanding of the relationships between these design criteria can be very helpful when identifying appropriate design tradeoffs for a parallel program.

1. The less time a program spends in critical sections, the greater the potential speedup. This is a consequence of Amdahl’s Law [Amd67] and of the fact that only one CPU may execute within a given critical section at a given time.

More specifically, the fraction of time that the program spends in a given exclusive critical section must be much less than the reciprocal of the number of CPUs for the actual speedup to approach the number of CPUs. For example, a program running on 10 CPUs must spend much less than one tenth of its time in the most-restrictive critical section if it is to scale at all well.

2. Contention effects will consume the excess CPU and/or wallclock time should the actual speedup be less than the number of available CPUs. The larger the gap between the number of CPUs and the actual speedup, the less efficiently the CPUs will be used. Similarly, the greater the desired efficiency, the smaller the achievable speedup.
3. If the available synchronization primitives have high overhead compared to the critical sections that they guard, the best way to improve speedup is to reduce the number of times that the primitives are invoked (perhaps by batching critical sections, using data ownership, using asymmetric primitives (see Section 9), or by moving toward a more coarse-grained design such as code locking).
4. If the critical sections have high overhead compared to the primitives guarding them, the best way to improve speedup is to increase parallelism by moving to reader/writer locking, data locking, asymmetric, or data ownership.

---

<sup>8</sup> A real-world parallel system will be subject to many additional design criteria, such as data-structure layout, memory size, memory-hierarchy latencies, bandwidth limitations, and I/O issues.

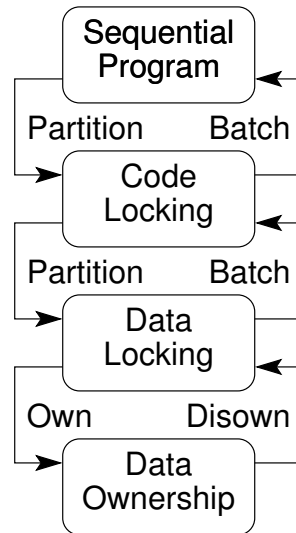


Figure 6.13: Design Patterns and Lock Granularity

5. If the critical sections have high overhead compared to the primitives guarding them and the data structure being guarded is read much more often than modified, the best way to increase parallelism is to move to reader/writer locking or asymmetric primitives.
6. Many changes that improve SMP performance, for example, reducing lock contention, also improve real-time latencies [McK05d].

**Quick Quiz 6.11:** Don't all these problems with critical sections mean that we should just always use non-blocking synchronization [Her90], which don't have critical sections? ■

## 6.3 Synchronization Granularity

Figure 6.13 gives a pictorial view of different levels of synchronization granularity, each of which is described in one of the following sections. These sections focus primarily on locking, but similar granularity issues arise with all forms of synchronization.

### 6.3.1 Sequential Program

If the program runs fast enough on a single processor, and has no interactions with other processes, threads, or interrupt handlers, you should remove the synchronization primitives and spare yourself their overhead and complexity. Some years back, there were those who would argue that Moore's Law would eventually force all programs into this category. However, as can be seen in Figure 6.14, the exponential increase in single-threaded performance halted in about 2003. Therefore, increasing performance will increasingly require parallelism.<sup>9</sup> The debate as to whether this new trend will

<sup>9</sup> This plot shows clock frequencies for newer CPUs theoretically capable of retiring one or more instructions per clock, and MIPS for older CPUs requiring multiple clocks to execute even the simplest



result in single chips with thousands of CPUs will not be settled soon, but given that Paul is typing this sentence on a dual-core laptop, the age of SMP does seem to be upon us. It is also important to note that Ethernet bandwidth is continuing to grow, as shown in Figure 6.15. This growth will motivate multithreaded servers in order to handle the communications load.

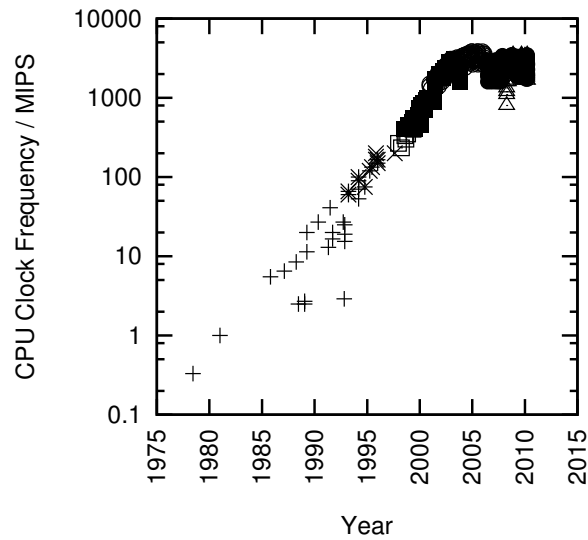


Figure 6.14: MIPS/Clock-Frequency Trend for Intel CPUs

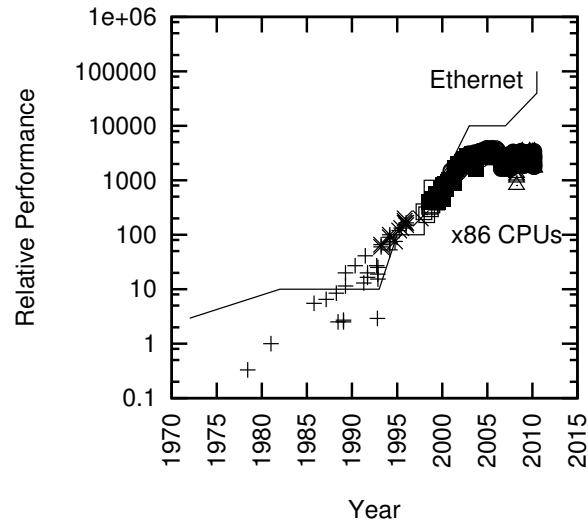


Figure 6.15: Ethernet Bandwidth vs. Intel x86 CPU Performance

Please note that this does *not* mean that you should code each and every program in instruction. The reason for taking this approach is that the newer CPUs' ability to retire multiple instructions per clock is typically limited by memory-system performance.

a multi-threaded manner. Again, if a program runs quickly enough on a single processor, spare yourself the overhead and complexity of SMP synchronization primitives. The simplicity of the hash-table lookup code in Figure 6.16 underscores this point.<sup>10</sup> A key point is that speedups due to parallelism are normally limited to the number of CPUs. In contrast, speedups due to sequential optimizations, for example, careful choice of data structure, can be arbitrarily large.

```
1 struct hash_table
2 {
3     long nbuckets;
4     struct node **buckets;
5 };
6
7 typedef struct node {
8     unsigned long key;
9     struct node *next;
10 } node_t;
11
12 int hash_search(struct hash_table *h, long key)
13 {
14     struct node *cur;
15
16     cur = h->buckets[key % h->nbuckets];
17     while (cur != NULL) {
18         if (cur->key >= key) {
19             return (cur->key == key);
20         }
21         cur = cur->next;
22     }
23     return 0;
24 }
```

Figure 6.16: Sequential-Program Hash Table Search

On the other hand, if you are not in this happy situation, read on!

### 6.3.2 Code Locking

Code locking is quite simple due to the fact that it uses only global locks.<sup>11</sup> It is especially easy to retrofit an existing program to use code locking in order to run it on a multiprocessor. If the program has only a single shared resource, code locking will even give optimal performance. However, many of the larger and more complex programs require much of the execution to occur in critical sections, which in turn causes code locking to sharply limit their scalability.

Therefore, you should use code locking on programs that spend only a small fraction of their execution time in critical sections or from which only modest scaling is required. In these cases, code locking will provide a relatively simple program that is very similar to its sequential counterpart, as can be seen in Figure 6.17. However, note that the simple return of the comparison in `hash_search()` in Figure 6.16 has now become three statements due to the need to release the lock before returning.

Unfortunately, code locking is particularly prone to “lock contention”, where multiple CPUs need to acquire the lock concurrently. SMP programmers who have taken care of groups of small children (or groups of older people who are acting like children)

---

<sup>10</sup> The examples in this section are taken from Hart et al. [HMB06], adapted for clarity by gathering related code from multiple files.

<sup>11</sup> If your program instead has locks in data structures, or, in the case of Java, uses classes with synchronized instances, you are instead using “data locking”, described in Section 6.3.3.

```

1  spinlock_t hash_lock;
2
3  struct hash_table
4  {
5      long nbuckets;
6      struct node **buckets;
7  };
8
9  typedef struct node {
10     unsigned long key;
11     struct node *next;
12 } node_t;
13
14 int hash_search(struct hash_table *h, long key)
15 {
16     struct node *cur;
17     int retval;
18
19     spin_lock(&hash_lock);
20     cur = h->buckets[key % h->nbuckets];
21     while (cur != NULL) {
22         if (cur->key >= key) {
23             retval = (cur->key == key);
24             spin_unlock(&hash_lock);
25             return retval;
26         }
27         cur = cur->next;
28     }
29     spin_unlock(&hash_lock);
30     return 0;
31 }

```

Figure 6.17: Code-Locking Hash Table Search

will immediately recognize the danger of having only one of something, as illustrated in Figure 6.18.

One solution to this problem, named “data locking”, is described in the next section.

### 6.3.3 Data Locking

Many data structures may be partitioned, with each partition of the data structure having its own lock. Then the critical sections for each part of the data structure can execute in parallel, although only one instance of the critical section for a given part could be executing at a given time. You should use data locking when contention must be reduced, and where synchronization overhead is not limiting speedups. Data locking reduces contention by distributing the instances of the overly-large critical section across multiple data structures, for example, maintaining per-hash-bucket critical sections in a hash table, as shown in Figure 6.19. The increased scalability again results in a slight increase in complexity in the form of an additional data structure, the `struct bucket`.

In contrast with the contentious situation shown in Figure 6.18, data locking helps promote harmony, as illustrated by Figure 6.20 — and in parallel programs, this *almost* always translates into increased performance and scalability. For this reason, data locking was heavily used by Sequent in both its DYNIX and DYNIX/ptx operating systems [BK85, Inm85, Gar90, Dov90, MD92, MG92, MS93].

However, as those who have taken care of small children can again attest, even providing enough to go around is no guarantee of tranquillity. The analogous situation can arise in SMP programs. For example, the Linux kernel maintains a cache of files and directories (called “dcache”). Each entry in this cache has its own lock, but the entries corresponding to the root directory and its direct descendants are much more

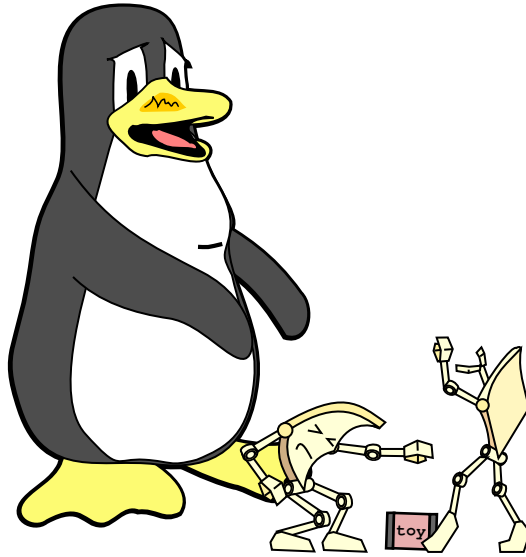


Figure 6.18: Lock Contention

likely to be traversed than are more obscure entries. This can result in many CPUs contending for the locks of these popular entries, resulting in a situation not unlike that shown in Figure 6.21.

In many cases, algorithms can be designed to reduce the instance of data skew, and in some cases eliminate it entirely (as appears to be possible with the Linux kernel's dcache [MSS04]). Data locking is often used for partitionable data structures such as hash tables, as well as in situations where multiple entities are each represented by an instance of a given data structure. The task list in version 2.6.17 of the Linux kernel is an example of the latter, each task structure having its own `proc_lock`.

A key challenge with data locking on dynamically allocated structures is ensuring that the structure remains in existence while the lock is being acquired. The code in Figure 6.19 finesses this challenge by placing the locks in the statically allocated hash buckets, which are never freed. However, this trick would not work if the hash table were resizeable, so that the locks were now dynamically allocated. In this case, there would need to be some means to prevent the hash bucket from being freed during the time that its lock was being acquired.

**Quick Quiz 6.12:** What are some ways of preventing a structure from being freed while its lock is being acquired? ■

### 6.3.4 Data Ownership

Data ownership partitions a given data structure over the threads or CPUs, so that each thread/CPU accesses its subset of the data structure without any synchronization overhead whatsoever. However, if one thread wishes to access some other thread's data, the first thread is unable to do so directly. Instead, the first thread must communicate with the second thread, so that the second thread performs the operation on behalf of

```

1 struct hash_table
2 {
3     long nbuckets;
4     struct bucket **buckets;
5 };
6
7 struct bucket {
8     spinlock_t bucket_lock;
9     node_t *list_head;
10 };
11
12 typedef struct node {
13     unsigned long key;
14     struct node *next;
15 } node_t;
16
17 int hash_search(struct hash_table *h, long key)
18 {
19     struct bucket *bp;
20     struct node *cur;
21     int retval;
22
23     bp = h->buckets[key % h->nbuckets];
24     spin_lock(&bp->bucket_lock);
25     cur = bp->list_head;
26     while (cur != NULL) {
27         if (cur->key >= key) {
28             retval = (cur->key == key);
29             spin_unlock(&bp->bucket_lock);
30             return retval;
31         }
32         cur = cur->next;
33     }
34     spin_unlock(&bp->bucket_lock);
35     return 0;
36 }

```

Figure 6.19: Data-Locking Hash Table Search

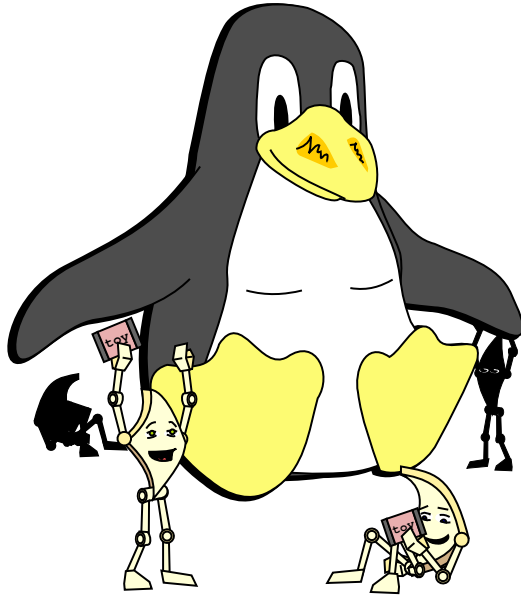


Figure 6.20: Data Locking

the first, or, alternatively, migrates the data to the first thread.

Data ownership might seem arcane, but it is used very frequently:

1. Any variables accessible by only one CPU or thread (such as `auto` variables in C and C++) are owned by that CPU or process.
2. An instance of a user interface owns the corresponding user's context. It is very common for applications interacting with parallel database engines to be written as if they were entirely sequential programs. Such applications own the user interface and his current action. Explicit parallelism is thus confined to the database engine itself.
3. Parametric simulations are often trivially parallelized by granting each thread ownership of a particular region of the parameter space. There are also computing frameworks designed for this type of problem [UoC08].

If there is significant sharing, communication between the threads or CPUs can result in significant complexity and overhead. Furthermore, if the most-heavily used data happens to be that owned by a single CPU, that CPU will be a “hot spot”, sometimes with results resembling that shown in Figure 6.21. However, in situations where no sharing is required, data ownership achieves ideal performance, and with code that can be as simple as the sequential-program case shown in Figure 6.16. Such situations are often referred to as “embarrassingly parallel”, and, in the best case, resemble the situation previously shown in Figure 6.20.

Another important instance of data ownership occurs when the data is read-only, in which case, all threads can “own” it via replication.

Data ownership will be presented in more detail in Chapter 8.

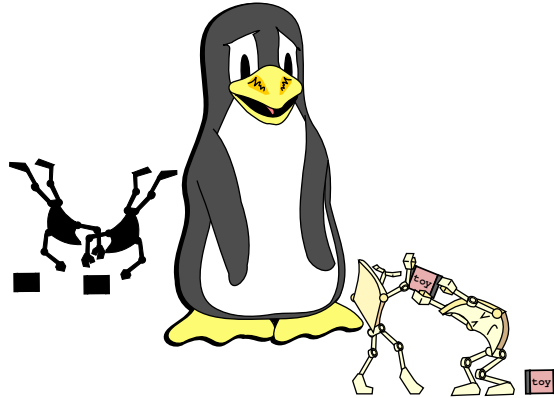


Figure 6.21: Data Locking and Skew

### 6.3.5 Locking Granularity and Performance

This section looks at locking granularity and performance from a mathematical synchronization-efficiency viewpoint. Readers who are uninspired by mathematics might choose to skip this section.

The approach is to use a crude queueing model for the efficiency of synchronization mechanism that operate on a single shared global variable, based on an M/M/1 queue. M/M/1 queueing models are based on an exponentially distributed “inter-arrival rate”  $\lambda$  and an exponentially distributed “service rate”  $\mu$ . The inter-arrival rate  $\lambda$  can be thought of as the average number of synchronization operations per second that the system would process if the synchronization were free, in other words,  $\lambda$  is an inverse measure of the overhead of each non-synchronization unit of work. For example, if each unit of work was a transaction, and if each transaction took one millisecond to process, excluding synchronization overhead, then  $\lambda$  would be 1,000 transactions per second.

The service rate  $\mu$  is defined similarly, but for the average number of synchronization operations per second that the system would process if the overhead of each transaction was zero, and ignoring the fact that CPUs must wait on each other to complete their synchronization operations, in other words,  $\mu$  can be roughly thought of as the synchronization overhead in absence of contention. For example, suppose that each synchronization operation involves an atomic increment instruction, and that a computer system is able to do an atomic increment every 25 nanoseconds on each CPU to a private variable.<sup>12</sup> The value of  $\mu$  is therefore about 40,000,000 atomic increments per second.

Of course, the value of  $\lambda$  increases with increasing numbers of CPUs, as each CPU is capable of processing transactions independently (again, ignoring synchronization):

$$\lambda = n\lambda_0 \tag{6.1}$$

where  $n$  is the number of CPUs and  $\lambda_0$  is the transaction-processing capability of a

<sup>12</sup> Of course, if there are 8 CPUs all incrementing the same shared variable, then each CPU must wait at least 175 nanoseconds for each of the other CPUs to do its increment before consuming an additional 25 nanoseconds doing its own increment. In actual fact, the wait will be longer due to the need to move the variable from one CPU to another.

single CPU. Note that the expected time for a single CPU to execute a single transaction is  $1/\lambda_0$ .

Because the CPUs have to “wait in line” behind each other to get their chance to increment the single shared variable, we can use the M/M/1 queueing-model expression for the expected total waiting time:

$$T = \frac{1}{\mu - \lambda} \quad (6.2)$$

Substituting the above value of  $\lambda$ :

$$T = \frac{1}{\mu - n\lambda_0} \quad (6.3)$$

Now, the efficiency is just the ratio of the time required to process a transaction in absence of synchronization ( $1/\lambda_0$ ) to the time required including synchronization ( $T + 1/\lambda_0$ ):

$$e = \frac{1/\lambda_0}{T + 1/\lambda_0} \quad (6.4)$$

Substituting the above value for  $T$  and simplifying:

$$e = \frac{\frac{\mu}{\lambda_0} - n}{\frac{\mu}{\lambda_0} - (n - 1)} \quad (6.5)$$

But the value of  $\mu/\lambda_0$  is just the ratio of the time required to process the transaction (absent synchronization overhead) to that of the synchronization overhead itself (absent contention). If we call this ratio  $f$ , we have:

$$e = \frac{f - n}{f - (n - 1)} \quad (6.6)$$

Figure 6.22 plots the synchronization efficiency  $e$  as a function of the number of CPUs/threads  $n$  for a few values of the overhead ratio  $f$ . For example, again using the 25-nanosecond atomic increment, the  $f = 10$  line corresponds to each CPU attempting an atomic increment every 250 nanoseconds, and the  $f = 100$  line corresponds to each CPU attempting an atomic increment every 2.5 microseconds, which in turn corresponds to several thousand instructions. Given that each trace drops off sharply with increasing numbers of CPUs or threads, we can conclude that synchronization mechanisms based on atomic manipulation of a single global shared variable will not scale well if used heavily on current commodity hardware. This is a mathematical depiction of the forces leading to the parallel counting algorithms that were discussed in Chapter 5.

The concept of efficiency is useful even in cases having little or no formal synchronization. Consider for example a matrix multiply, in which the columns of one matrix are multiplied (via “dot product”) by the rows of another, resulting in an entry in a third matrix. Because none of these operations conflict, it is possible to partition the columns of the first matrix among a group of threads, with each thread computing the corresponding columns of the result matrix. The threads can therefore operate entirely independently, with no synchronization overhead whatsoever, as is done in `matmul.c`. One might therefore expect a parallel matrix multiply to have a perfect efficiency of 1.0.

However, Figure 6.23 tells a different story, especially for a 64-by-64 matrix multiply, which never gets above an efficiency of about 0.7, even when running single-threaded.



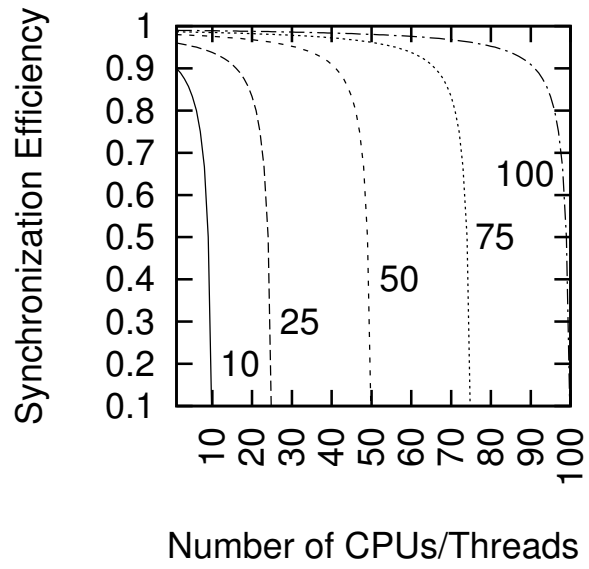


Figure 6.22: Synchronization Efficiency

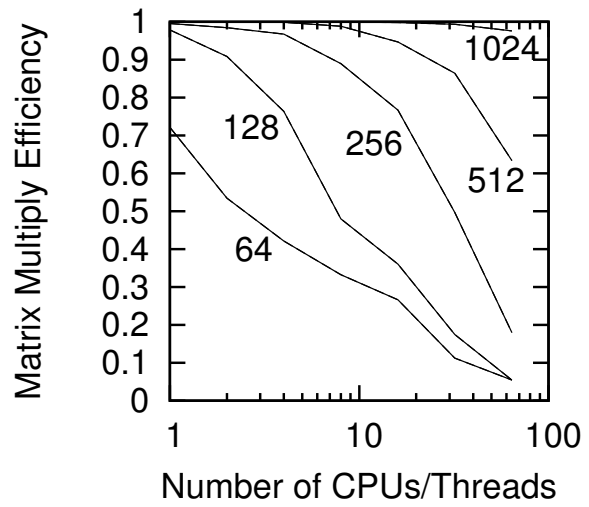


Figure 6.23: Matrix Multiply Efficiency

The 512-by-512 matrix multiply's efficiency is measurably less than 1.0 on as few as 10 threads, and even the 1024-by-1024 matrix multiply deviates noticeably from perfection at a few tens of threads. Nevertheless, this figure clearly demonstrates the performance and scalability benefits of batching: If you must incur synchronization overhead, you may as well get your money's worth.

**Quick Quiz 6.13:** How can a single-threaded 64-by-64 matrix multiple possibly have an efficiency of less than 1.0? Shouldn't all of the traces in Figure 6.23 have efficiency of exactly 1.0 when running on only one thread? ■

Given these inefficiencies, it is worthwhile to look into more-scalable approaches such as the data locking described in Section 6.3.3 or the parallel-fastpath approach discussed in the next section.

**Quick Quiz 6.14:** How are data-parallel techniques going to help with matrix multiply? It is *already* data parallel!!! ■

## 6.4 Parallel Fastpath

Fine-grained (and therefore *usually* higher-performance) designs are typically more complex than are coarser-grained designs. In many cases, most of the overhead is incurred by a small fraction of the code [Knu73]. So why not focus effort on that small fraction?

This is the idea behind the parallel-fastpath design pattern, to aggressively parallelize the common-case code path without incurring the complexity that would be required to aggressively parallelize the entire algorithm. You must understand not only the specific algorithm you wish to parallelize, but also the workload that the algorithm will be subjected to. Great creativity and design effort is often required to construct a parallel fastpath.

Parallel fastpath combines different patterns (one for the fastpath, one elsewhere) and is therefore a template pattern. The following instances of parallel fastpath occur often enough to warrant their own patterns, as depicted in Figure 6.24:

1. Reader/Writer Locking (described below in Section 6.4.1).
2. Read-copy update (RCU), which may be used as a high-performance replacement for reader/writer locking, is introduced in Section 9.3, and will not be discussed further in this chapter.
3. Hierarchical Locking ([McK96a]), which is touched upon in Section 6.4.2.
4. Resource Allocator Caches ([McK96a, MS93]). See Section 6.4.3 for more detail.

### 6.4.1 Reader/Writer Locking

If synchronization overhead is negligible (for example, if the program uses coarse-grained parallelism with large critical sections), and if only a small fraction of the critical sections modify data, then allowing multiple readers to proceed in parallel can greatly increase scalability. Writers exclude both readers and each other. There are many implementations of reader-writer locking, including the POSIX implementation described in Section 4.2.4. Figure 6.25 shows how the hash search might be implemented using reader-writer locking.

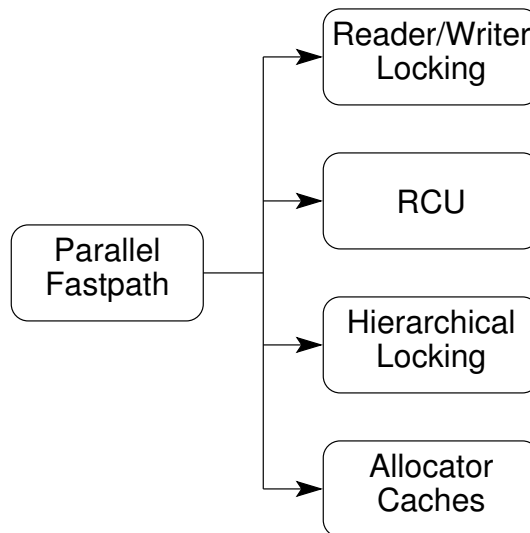


Figure 6.24: Parallel-Fastpath Design Patterns

Reader/writer locking is a simple instance of asymmetric locking. Snaman [ST87] describes a more ornate six-mode asymmetric locking design used in several clustered systems. Locking in general and reader-writer locking in particular is described extensively in Chapter 7.

## 6.4.2 Hierarchical Locking

The idea behind hierarchical locking is to have a coarse-grained lock that is held only long enough to work out which fine-grained lock to acquire. Figure 6.26 shows how our hash-table search might be adapted to do hierarchical locking, but also shows the great weakness of this approach: we have paid the overhead of acquiring a second lock, but we only hold it for a short time. In this case, the simpler data-locking approach would be simpler and likely perform better.

**Quick Quiz 6.15:** In what situation would hierarchical locking work well? ■

## 6.4.3 Resource Allocator Caches

This section presents a simplified schematic of a parallel fixed-block-size memory allocator. More detailed descriptions may be found in the literature [MG92, MS93, BA01, MSK01] or in the Linux kernel [Tor03c].

### 6.4.3.1 Parallel Resource Allocation Problem

The basic problem facing a parallel memory allocator is the tension between the need to provide extremely fast memory allocation and freeing in the common case and the need to efficiently distribute memory in face of unfavorable allocation and freeing patterns.

To see this tension, consider a straightforward application of data ownership to this problem — simply carve up memory so that each CPU owns its share. For example, suppose that a system with two CPUs has two gigabytes of memory (such as the one that

```

1 rwlock_t hash_lock;
2
3 struct hash_table
4 {
5     long nbuckets;
6     struct node **buckets;
7 };
8
9 typedef struct node {
10     unsigned long key;
11     struct node *next;
12 } node_t;
13
14 int hash_search(struct hash_table *h, long key)
15 {
16     struct node *cur;
17     int retval;
18
19     read_lock(&hash_lock);
20     cur = h->buckets[key % h->nbuckets];
21     while (cur != NULL) {
22         if (cur->key >= key) {
23             retval = (cur->key == key);
24             read_unlock(&hash_lock);
25             return retval;
26         }
27         cur = cur->next;
28     }
29     read_unlock(&hash_lock);
30     return 0;
31 }

```

Figure 6.25: Reader-Writer-Locking Hash Table Search

I am typing on right now). We could simply assign each CPU one gigabyte of memory, and allow each CPU to access its own private chunk of memory, without the need for locking and its complexities and overheads. Unfortunately, this simple scheme breaks down if an algorithm happens to have CPU 0 allocate all of the memory and CPU 1 the free it, as would happen in a simple producer-consumer workload.

The other extreme, code locking, suffers from excessive lock contention and overhead [MS93].

#### 6.4.3.2 Parallel Fastpath for Resource Allocation

The commonly used solution uses parallel fastpath with each CPU owning a modest cache of blocks, and with a large code-locked shared pool for additional blocks. To prevent any given CPU from monopolizing the memory blocks, we place a limit on the number of blocks that can be in each CPU’s cache. In a two-CPU system, the flow of memory blocks will be as shown in Figure 6.27: when a given CPU is trying to free a block when its pool is full, it sends blocks to the global pool, and, similarly, when that CPU is trying to allocate a block when its pool is empty, it retrieves blocks from the global pool.

#### 6.4.3.3 Data Structures

The actual data structures for a “toy” implementation of allocator caches are shown in Figure 6.28. The “Global Pool” of Figure 6.27 is implemented by `globalmem` of type `struct globalmempool`, and the two CPU pools by the per-CPU variable `percpumem` of type `percpumempool`. Both of these data structures have arrays

```

1 struct hash_table
2 {
3     long nbuckets;
4     struct bucket **buckets;
5 };
6
7 struct bucket {
8     spinlock_t bucket_lock;
9     node_t *list_head;
10 };
11
12 typedef struct node {
13     spinlock_t node_lock;
14     unsigned long key;
15     struct node *next;
16 } node_t;
17
18 int hash_search(struct hash_table *h, long key)
19 {
20     struct bucket *bp;
21     struct node *cur;
22     int retval;
23
24     bp = h->buckets[key % h->nbuckets];
25     spin_lock(&bp->bucket_lock);
26     cur = bp->list_head;
27     while (cur != NULL) {
28         if (cur->key >= key) {
29             spin_lock(&cur->node_lock);
30             spin_unlock(&bp->bucket_lock);
31             retval = (cur->key == key);
32             spin_unlock(&cur->node_lock);
33             return retval;
34         }
35         cur = cur->next;
36     }
37     spin_unlock(&bp->bucket_lock);
38     return 0;
39 }

```

Figure 6.26: Hierarchical-Locking Hash Table Search

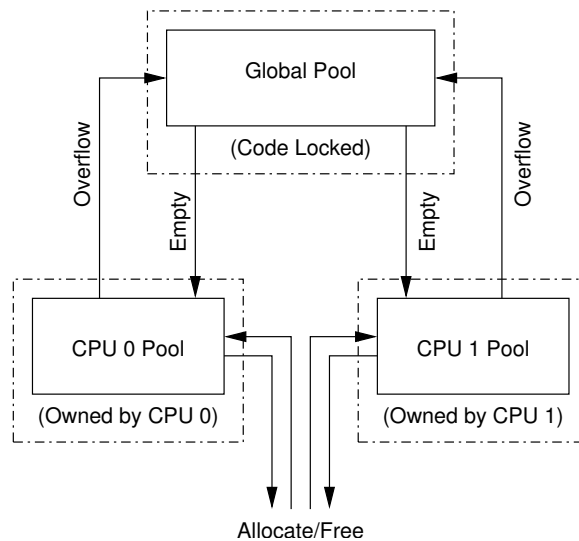


Figure 6.27: Allocator Cache Schematic

of pointers to blocks in their `pool` fields, which are filled from index zero upwards. Thus, if `globalmem.pool[3]` is `NULL`, then the remainder of the array from index 4 up must also be `NULL`. The `cur` fields contain the index of the highest-numbered full element of the `pool` array, or -1 if all elements are empty. All elements from `globalmem.pool[0]` through `globalmem.pool[globalmem.cur]` must be full, and all the rest must be empty.<sup>13</sup>

```

1 #define TARGET_POOL_SIZE 3
2 #define GLOBAL_POOL_SIZE 40
3
4 struct globalmempool {
5     spinlock_t mutex;
6     int cur;
7     struct memblock *pool[GLOBAL_POOL_SIZE];
8 } globalmem;
9
10 struct percpumempool {
11     int cur;
12     struct memblock *pool[2 * TARGET_POOL_SIZE];
13 };
14
15 DEFINE_PER_THREAD(struct percpumempool, percpumem);

```

Figure 6.28: Allocator-Cache Data Structures

The operation of the pool data structures is illustrated by Figure 6.29, with the six boxes representing the array of pointers making up the `pool` field, and the number preceding them representing the `cur` field. The shaded boxes represent non-`NULL` pointers, while the empty boxes represent `NULL` pointers. An important, though potentially confusing, invariant of this data structure is that the `cur` field is always one smaller than the number of non-`NULL` pointers.

<sup>13</sup> Both pool sizes (`TARGET_POOL_SIZE` and `GLOBAL_POOL_SIZE`) are unrealistically small, but this small size makes it easier to single-step the program in order to get a feel for its operation.

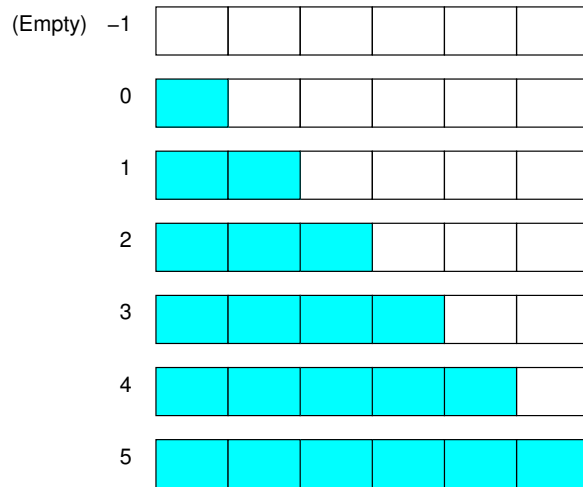


Figure 6.29: Allocator Pool Schematic

#### 6.4.3.4 Allocation Function

The allocation function `memblock_alloc()` may be seen in Figure 6.30. Line 7 picks up the current thread's per-thread pool, and line 8 check to see if it is empty.

If so, lines 9-16 attempt to refill it from the global pool under the spinlock acquired on line 9 and released on line 16. Lines 10-14 move blocks from the global to the per-thread pool until either the local pool reaches its target size (half full) or the global pool is exhausted, and line 15 sets the per-thread pool's count to the proper value.

In either case, line 18 checks for the per-thread pool still being empty, and if not, lines 19-21 remove a block and return it. Otherwise, line 23 tells the sad tale of memory exhaustion.

```

1 struct memblock *memblock_alloc(void)
2 {
3     int i;
4     struct memblock *p;
5     struct percpumempool *pcpp;
6
7     pcpp = &__get_thread_var(percpumem);
8     if (pcpp->cur < 0) {
9         spin_lock(&globalmem.mutex);
10        for (i = 0; i < TARGET_POOL_SIZE &&
11             globalmem.cur >= 0; i++) {
12            pcpp->pool[i] = globalmem.pool[globalmem.cur];
13            globalmem.pool[globalmem.cur--] = NULL;
14        }
15        pcpp->cur = i - 1;
16        spin_unlock(&globalmem.mutex);
17    }
18    if (pcpp->cur >= 0) {
19        p = pcpp->pool[pcpp->cur];
20        pcpp->pool[pcpp->cur--] = NULL;
21        return p;
22    }
23    return NULL;
24 }

```

Figure 6.30: Allocator-Cache Allocator Function

### 6.4.3.5 Free Function

Figure 6.31 shows the memory-block free function. Line 6 gets a pointer to this thread’s pool, and line 7 checks to see if this per-thread pool is full.

If so, lines 8-15 empty half of the per-thread pool into the global pool, with lines 8 and 14 acquiring and releasing the spinlock. Lines 9-12 implement the loop moving blocks from the local to the global pool, and line 13 sets the per-thread pool’s count to the proper value.

In either case, line 16 then places the newly freed block into the per-thread pool.

```
1 void memblock_free(struct memblock *p)
2 {
3     int i;
4     struct percpumempool *pcpp;
5
6     pcpp = &__get_thread_var(percpumem);
7     if (pcpp->cur >= 2 * TARGET_POOL_SIZE - 1) {
8         spin_lock(&globalmem.mutex);
9         for (i = pcpp->cur; i >= TARGET_POOL_SIZE; i--) {
10             globalmem.pool[++globalmem.cur] = pcpp->pool[i];
11             pcpp->pool[i] = NULL;
12         }
13         pcpp->cur = i;
14         spin_unlock(&globalmem.mutex);
15     }
16     pcpp->pool[++pcpp->cur] = p;
17 }
```

Figure 6.31: Allocator-Cache Free Function

### 6.4.3.6 Performance

Rough performance results<sup>14</sup> are shown in Figure 6.32, running on a dual-core Intel x86 running at 1GHz (4300 bogomips per CPU) with at most six blocks allowed in each CPU’s cache. In this micro-benchmark, each thread repeatedly allocates a group of blocks and then frees all the blocks in that group, with the number of blocks in the group being the “allocation run length” displayed on the x-axis. The y-axis shows the number of successful allocation/free pairs per microsecond — failed allocations are not counted. The “X”s are from a two-thread run, while the “+”s are from a single-threaded run.

Note that run lengths up to six scale linearly and give excellent performance, while run lengths greater than six show poor performance and almost always also show *negative* scaling. It is therefore quite important to size `TARGET_POOL_SIZE` sufficiently large, which fortunately is usually quite easy to do in actual practice [MSK01], especially given today’s large memories. For example, in most systems, it is quite reasonable to set `TARGET_POOL_SIZE` to 100, in which case allocations and frees are guaranteed to be confined to per-thread pools at least 99% of the time.

As can be seen from the figure, the situations where the common-case data-ownership applies (run lengths up to six) provide greatly improved performance compared to the cases where locks must be acquired. Avoiding synchronization in the common case will

<sup>14</sup> This data was not collected in a statistically meaningful way, and therefore should be viewed with great skepticism and suspicion. Good data-collection and -reduction practice is discussed in Chapter 11. That said, repeated runs gave similar results, and these results match more careful evaluations of similar algorithms.



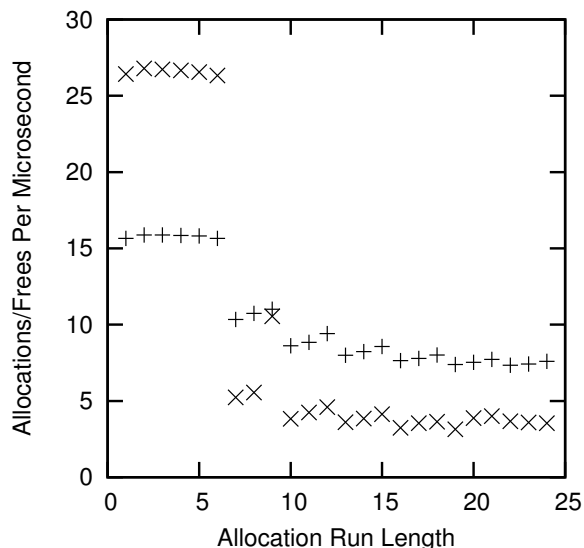


Figure 6.32: Allocator Cache Performance

be a recurring theme through this book.

**Quick Quiz 6.16:** In Figure 6.32, there is a pattern of performance rising with increasing run length in groups of three samples, for example, for run lengths 10, 11, and 12. Why? ■

**Quick Quiz 6.17:** Allocation failures were observed in the two-thread tests at run lengths of 19 and greater. Given the global-pool size of 40 and the per-thread target pool size  $s$  of three, number of thread  $n$  equal to two, and assuming that the per-thread pools are initially empty with none of the memory in use, what is the smallest allocation run length  $m$  at which failures can occur? (Recall that each thread repeatedly allocates  $m$  block of memory, and then frees the  $m$  blocks of memory.) Alternatively, given  $n$  threads each with pool size  $s$ , and where each thread repeatedly first allocates  $m$  blocks of memory and then frees those  $m$  blocks, how large must the global pool size be? ■

### 6.4.3.7 Real-World Design

The toy parallel resource allocator was quite simple, but real-world designs expand on this approach in a number of ways.

First, real-world allocators are required to handle a wide range of allocation sizes, as opposed to the single size shown in this toy example. One popular way to do this is to offer a fixed set of sizes, spaced so as to balance external and internal fragmentation, such as in the late-1980s BSD memory allocator [MK88]. Doing this would mean that the “globalmem” variable would need to be replicated on a per-size basis, and that the associated lock would similarly be replicated, resulting in data locking rather than the toy program’s code locking.

Second, production-quality systems must be able to repurpose memory, meaning that they must be able to coalesce blocks into larger structures, such as pages [MS93]. This coalescing will also need to be protected by a lock, which again could be replicated on a per-size basis.

Third, coalesced memory must be returned to the underlying memory system, and pages of memory must also be allocated from the underlying memory system. The locking required at this level will depend on that of the underlying memory system, but could well be code locking. Code locking can often be tolerated at this level, because this level is so infrequently reached in well-designed systems [MSK01].

Despite this real-world design’s greater complexity, the underlying idea is the same — repeated application of parallel fastpath, as shown in Table 6.1.

Level	Locking	Purpose
Per-thread pool	Data ownership	High-speed allocation
Global block pool	Data locking	Distributing blocks among threads
Coalescing	Data locking	Combining blocks into pages
System memory	Code locking	Memory from/to system

Table 6.1: Schematic of Real-World Parallel Allocator

## 6.5 Beyond Partitioning

This chapter has discussed how data partitioning can be used to design simple linearly scalable parallel programs. Section 6.3.4 hinted at the possibilities of data replication, which will be used to great effect in Section 9.3.

The main goal of applying partitioning and replication is to achieve linear speedups, in other words, to ensure that the total amount of work required does not increase significantly as the number of CPUs or threads increases. A problem that can be solved via partitioning and/or replication, resulting in linear speedups, is *embarrassingly parallel*. But can we do better?

To answer this question, let us examine the solution of labyrinths and mazes. Of course, labyrinths and mazes have been objects of fascination for millenia [Wik12], so it should come as no surprise that they are generated and solved using computers, including biological computers [Ada11], GPGPUs [Eri08], and even discrete hardware [KFC11]. Parallel solution of mazes is sometimes used as a class project in universities [ETH11, Uni10] and as a vehicle to demonstrate the benefits of parallel-programming frameworks [Fos10].

Common advice is to use a parallel work-queue algorithm (PWQ) [ETH11, Fos10]. This section evaluates this advice by comparing PWQ against a sequential algorithm (SEQ) and also against an alternative parallel algorithm, in all cases solving randomly generated square mazes. Section 6.5.1 discusses PWQ, Section 6.5.2 discusses an alternative parallel algorithm, Section 6.5.3 analyzes its anomalous performance, Section 6.5.4 derives an improved sequential algorithm from the alternative parallel algorithm, Section 6.5.5 makes further performance comparisons, and finally Section 6.5.6 presents future directions and concluding remarks.

### 6.5.1 Work-Queue Parallel Maze Solver

PWQ is based on SEQ, which is shown in Figure 6.33 (`maze_seq.c`). The maze is represented by a 2D array of cells and a linear-array-based work queue named `->visited`.

Line 7 visits the initial cell, and each iteration of the loop spanning lines 8-21 traverses passages headed by one cell. The loop spanning lines 9-13 scans the

```

1 int maze_solve(maze *mp, cell sc, cell ec)
2 {
3     cell c = sc;
4     cell n;
5     int vi = 0;
6
7     maze_try_visit_cell(mp, c, c, &n, 1);
8     for (;;) {
9         while (!maze_find_any_next_cell(mp, c, &n)) {
10            if (++vi >= mp->vi)
11                return 0;
12            c = mp->visited[vi].c;
13        }
14        do {
15            if (n == ec) {
16                return 1;
17            }
18            c = n;
19        } while (maze_find_any_next_cell(mp, c, &n));
20        c = mp->visited[vi].c;
21    }
22 }

```

Figure 6.33: SEQ Pseudocode

->visited[] array for a visited cell with an unvisited neighbor, and the loop spanning lines 14-19 traverses one fork of the submaze headed by that neighbor. Line 20 initializes for the next pass through the outer loop.

The pseudocode for `maze_try_visit_cell()` is shown on lines 1-12 of Figure 6.34. Line 4 checks to see if cells `c` and `n` are adjacent and connected, while line 5 checks to see if cell `n` has not yet been visited. The `celladdr()` function returns the address of the specified cell. If either check fails, line 6 returns failure. Line 7 indicates the next cell, line 8 records this cell in the next slot of the `->visited[]` array, line 9 indicates that this slot is now full, and line 10 marks this cell as visited and also records the distance from the maze start. Line 11 then returns success.

The pseudocode for `maze_find_any_next_cell()` is shown on lines 14-28 of the figure (`maze.c`). Line 17 picks up the current cell's distance plus 1, while lines 19, 21, 23, and 25 check the cell in each direction, and lines 20, 22, 24, and 26 return true if the corresponding cell is a candidate next cell. The `prevcol()`, `nextcol()`, `prevrow()`, and `nextrow()` each do the specified array-index-conversion operation. If none of the cells is a candidate, line 27 returns false.

The path is recorded in the maze by counting the number of cells from the starting point, as shown in Figure 6.35, where the starting cell is in the upper left and the ending cell is in the lower right. Starting at the ending cell and following consecutively decreasing cell numbers traverses the solution.

The parallel work-queue solver is a straightforward parallelization of the algorithm shown in Figures 6.33 and 6.34. Line 10 of Figure 6.33 must use fetch-and-add, and the local variable `vi` must be shared among the various threads. Lines 5 and 10 of Figure 6.34 must be combined into a CAS loop, with CAS failure indicating a loop in the maze. Lines 8-9 of this figure must use fetch-and-add to arbitrate concurrent attempts to record cells in the `->visited[]` array.

This approach does provide significant speedups on a dual-CPU Lenovo™ W500 running at 2.53GHz, as shown in Figure 6.36, which shows the cumulative distribution functions (CDFs) for the solution times of the two algorithms, based on the solution of 500 different square 500-by-500 randomly generated mazes. The substantial overlap of

```

1 int maze_try_visit_cell(struct maze *mp, cell c, cell t,
2                       cell *n, int d)
3 {
4     if (!maze_cells_connected(mp, c, t) ||
5         (*celladdr(mp, t) & VISITED))
6         return 0;
7     *n = t;
8     mp->visited[mp->vi] = t;
9     mp->vi++;
10    *celladdr(mp, t) |= VISITED | d;
11    return 1;
12 }
13
14 int maze_find_any_next_cell(struct maze *mp, cell c,
15                             cell *n)
16 {
17     int d = (*celladdr(mp, c) & DISTANCE) + 1;
18
19     if (maze_try_visit_cell(mp, c, prevcol(c), n, d))
20         return 1;
21     if (maze_try_visit_cell(mp, c, nextcol(c), n, d))
22         return 1;
23     if (maze_try_visit_cell(mp, c, prevrow(c), n, d))
24         return 1;
25     if (maze_try_visit_cell(mp, c, nextrow(c), n, d))
26         return 1;
27     return 0;
28 }

```

Figure 6.34: SEQ Helper Pseudocode

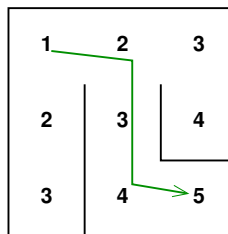


Figure 6.35: Cell-Number Solution Tracking

the projection of the CDFs onto the x-axis will be addressed in Section 6.5.3.

Interestingly enough, the sequential solution-path tracking works unchanged for the parallel algorithm. However, this uncovers a significant weakness in the parallel algorithm: At most one thread may be making progress along the solution path at any given time. This weakness is addressed in the next section.

## 6.5.2 Alternative Parallel Maze Solver

Youthful maze solvers are often urged to start at both ends, and this advice has been repeated more recently in the context of automated maze solving [Uni10]. This advice amounts to partitioning, which has been a powerful parallelization strategy in the context of parallel programming for both operating-system kernels [BK85, Inm85] and applications [Pat10]. This section applies this strategy, using two child threads that start at opposite ends of the solution path, and takes a brief look at the performance and scalability consequences.

The partitioned parallel algorithm (PART), shown in Figure 6.37 (`maze_part.c`),

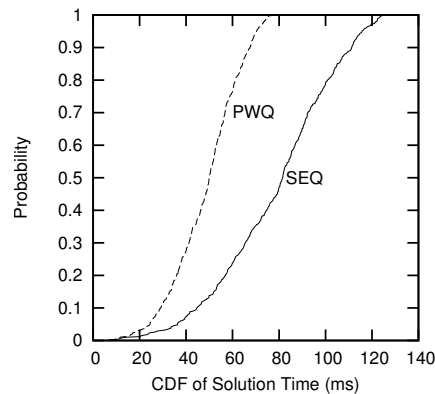


Figure 6.36: CDF of Solution Times For SEQ and PWQ

```

1 int maze_solve_child(maze *mp, cell *visited, cell sc)
2 {
3     cell c;
4     cell n;
5     int vi = 0;
6
7     myvisited = visited; myvi = &vi;
8     c = visited[vi];
9     do {
10        while (!maze_find_any_next_cell(mp, c, &n)) {
11            if (visited[+vi].row < 0)
12                return 0;
13            if (ACCESS_ONCE(mp->done))
14                return 1;
15            c = visited[vi];
16        }
17        do {
18            if (ACCESS_ONCE(mp->done))
19                return 1;
20            c = n;
21        } while (maze_find_any_next_cell(mp, c, &n));
22        c = visited[vi];
23    } while (!ACCESS_ONCE(mp->done));
24    return 1;
25 }

```

Figure 6.37: Partitioned Parallel Solver Pseudocode

is similar to SEQ, but has a few important differences. First, each child thread has its own `visited` array, passed in by the parent as shown on line 1, which must be initialized to all `[-1,-1]`. Line 7 stores a pointer to this array into the per-thread variable `myvisited` to allow access by helper functions, and similarly stores a pointer to the local visit index. Second, the parent visits the first cell on each child's behalf, which the child retrieves on line 8. Third, the maze is solved as soon as one child locates a cell that has been visited by the other child. When `maze_try_visit_cell()` detects this, it sets a `->done` field in the maze structure. Fourth, each child must therefore periodically check the `->done` field, as shown on lines 13, 18, and 23. The `ACCESS_ONCE()` primitive must disable any compiler optimizations that might combine consecutive loads or that might reload the value. A C++1x volatile relaxed load suffices [Bec11]. Finally, the `maze_find_any_next_cell()` function must use compare-and-swap to mark

```

1 int maze_try_visit_cell(struct maze *mp, int c, int t,
2     int *n, int d)
3 {
4     cell_t t;
5     cell_t *tp;
6     int vi;
7
8     if (!maze_cells_connected(mp, c, t))
9         return 0;
10    tp = celladdr(mp, t);
11    do {
12        t = ACCESS_ONCE(*tp);
13        if (t & VISITED) {
14            if ((t & TID) != mytid)
15                mp->done = 1;
16            return 0;
17        }
18    } while (!CAS(tp, t, t | VISITED | myid | d));
19    *n = t;
20    vi = (*myvi)++;
21    myvisited[vi] = t;
22    return 1;
23 }

```

Figure 6.38: Partitioned Parallel Helper Pseudocode

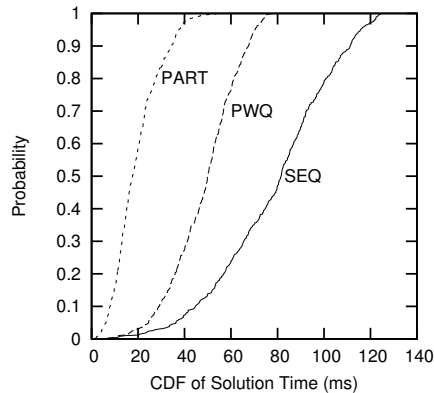


Figure 6.39: CDF of Solution Times For SEQ, PWQ, and PART

a cell as visited, however no constraints on ordering are required beyond those provided by thread creation and join.

The pseudocode for `maze_find_any_next_cell()` is identical to that shown in Figure 6.34, but the pseudocode for `maze_try_visit_cell()` differs, and is shown in Figure 6.38. Lines 8-9 check to see if the cells are connected, returning failure if not. The loop spanning lines 11-18 attempts to mark the new cell visited. Line 13 checks to see if it has already been visited, in which case line 16 returns failure, but only after line 14 checks to see if we have encountered the other thread, in which case line 15 indicates that the solution has been located. Line 19 updates to the new cell, lines 20 and 21 update this thread's visited array, and line 22 returns success.

Performance testing revealed a surprising anomaly, shown in Figure 6.39. The median solution time for PART (17 milliseconds) is more than four times faster than that of SEQ (79 milliseconds), despite running on only two threads. The next section analyzes this anomaly.

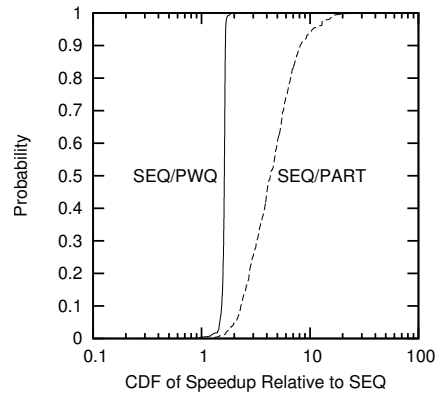


Figure 6.40: CDF of SEQ/PWQ and SEQ/PART Solution-Time Ratios

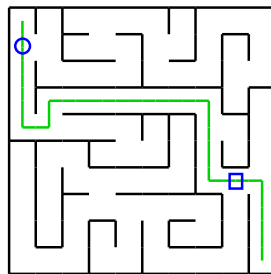


Figure 6.41: Reason for Small Visit Percentages

### 6.5.3 Performance Comparison I

The first reaction to a performance anomaly is to check for bugs. Although the algorithms were in fact finding valid solutions, the plot of CDFs in Figure 6.39 assumes independent data points. This is not the case: The performance tests randomly generate a maze, and then run all solvers on that maze. It therefore makes sense to plot the CDF of the ratios of solution times for each generated maze, as shown in Figure 6.40, greatly reducing the CDFs' overlap. This plot reveals that for some mazes, PART is more than *forty* times faster than SEQ. In contrast, PWQ is never more than about two times faster than SEQ. A forty-times speedup on two threads demands explanation. After all, this is not merely embarrassingly parallel, where partitionability means that adding threads does not increase the overall computational cost. It is instead *humiliatingly parallel*: Adding threads significantly reduces the overall computational cost, resulting in large algorithmic superlinear speedups.

Further investigation showed that PART sometimes visited fewer than 2% of the maze's cells, while SEQ and PWQ never visited fewer than about 9%. The reason for this difference is shown by Figure 6.41. If the thread traversing the solution from the upper left reaches the circle, the other thread cannot reach the upper-right portion of the maze. Similarly, if the other thread reaches the square, the first thread cannot reach the lower-left portion of the maze. Therefore, PART will likely visit a small fraction of the non-solution-path cells. In short, the superlinear speedups are due to threads getting

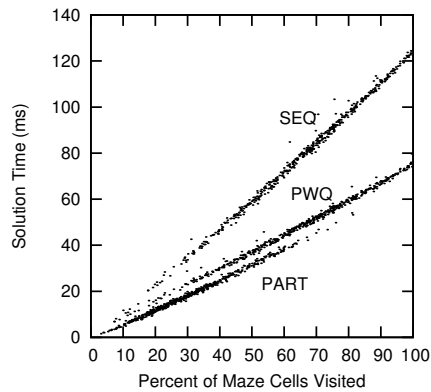


Figure 6.42: Correlation Between Visit Percentage and Solution Time

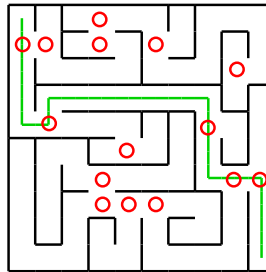


Figure 6.43: PWQ Potential Contention Points

in each others' way. This is a sharp contrast with decades of experience with parallel programming, where workers have struggled to keep threads *out* of each others' way.

Figure 6.42 confirms a strong correlation between cells visited and solution time for all three methods. The slope of PART's scatterplot is smaller than that of SEQ, indicating that PART's pair of threads visits a given fraction of the maze faster than can SEQ's single thread. PART's scatterplot is also weighted toward small visit percentages, confirming that PART does less total work, hence the observed humiliating parallelism.

The fraction of cells visited by PWQ is similar to that of SEQ. In addition, PWQ's solution time is greater than that of PART, even for equal visit fractions. The reason for this is shown in Figure 6.43, which has a red circle on each cell with more than two neighbors. Each such cell can result in contention in PWQ, because one thread can enter but two threads can exit, which hurts performance, as noted earlier in this chapter. In contrast, PART can incur such contention but once, namely when the solution is located. Of course, SEQ never contends.

Although PART's speedup is impressive, we should not neglect sequential optimizations. Figure 6.44 shows that SEQ, when compiled with -O3, is about twice as fast as unoptimized PWQ, approaching the performance of unoptimized PART. Compiling all three algorithms with -O3 gives results similar to (albeit faster than) those shown in Figure 6.40, except that PWQ provides almost no speedup compared to SEQ, in keeping with Amdahl's Law [Amd67]. However, if the goal is to double performance compared to unoptimized SEQ, as opposed to achieving optimality, compiler optimizations are



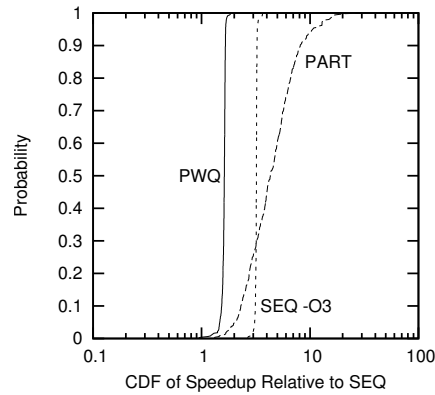


Figure 6.44: Effect of Compiler Optimization (-O3)

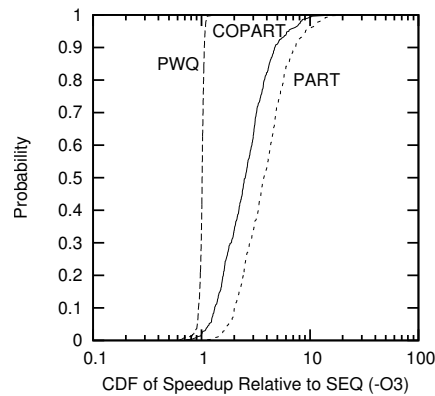


Figure 6.45: Partitioned Coroutines

quite attractive.

Cache alignment and padding often improves performance by reducing false sharing. However, for these maze-solution algorithms, aligning and padding the maze-cell array *degrades* performance by up to 42% for 1000x1000 mazes. Cache locality is more important than avoiding false sharing, especially for large mazes. For smaller 20-by-20 or 50-by-50 mazes, aligning and padding can produce up to a 40% performance improvement for PART, but for these small sizes, SEQ performs better anyway because there is insufficient time for PART to make up for the overhead of thread creation and destruction.

In short, the partitioned parallel maze solver is an interesting example of an algorithmic superlinear speedup. If “algorithmic superlinear speedup” causes cognitive dissonance, please proceed to the next section.

#### 6.5.4 Alternative Sequential Maze Solver

The presence of algorithmic superlinear speedups suggests simulating parallelism via co-routines, for example, manually switching context between threads on each pass

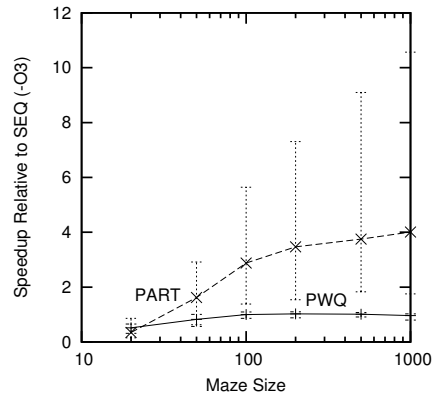


Figure 6.46: Varying Maze Size vs. SEQ

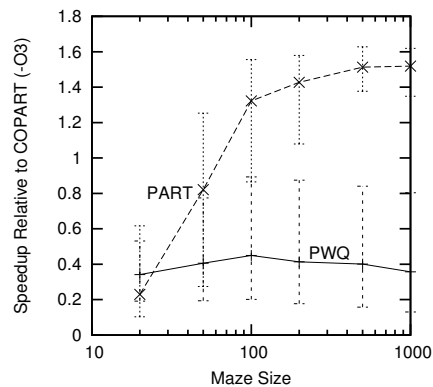


Figure 6.47: Varying Maze Size vs. COPART

through the main do-while loop in Figure 6.37. This context switching is straightforward because the context consists only of the variables `c` and `vi`: Of the numerous ways to achieve the effect, this is a good tradeoff between context-switch overhead and visit percentage. As can be seen in Figure 6.45, this coroutine algorithm (COPART) is quite effective, with the performance on one thread being within about 30% of PART on two threads (`maze_2seq.c`).

### 6.5.5 Performance Comparison II

Figures 6.46 and 6.47 show the effects of varying maze size, comparing both PWQ and PART running on two threads against either SEQ or COPART, respectively, with 90%-confidence error bars. PART shows superlinear scalability against SEQ and modest scalability against COPART for 100-by-100 and larger mazes. PART exceeds theoretical energy-efficiency breakeven against COPART at roughly the 200-by-200 maze size, given that power consumption rises as roughly the square of the frequency for high frequencies [Mud00], so that 1.4x scaling on two threads consumes the same energy as a single thread at equal solution speeds. In contrast, PWQ shows poor scalability against

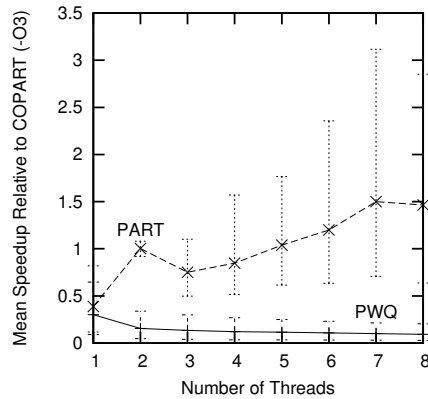


Figure 6.48: Mean Speedup vs. Number of Threads, 1000x1000 Maze

both SEQ and COPART unless unoptimized: Figures 6.46 and 6.47 were generated using -O3.

Figure 6.48 shows the performance of PWQ and PART relative to COPART. For PART runs with more than two threads, the additional threads were started evenly spaced along the diagonal connecting the starting and ending cells. Simplified link-state routing [BG87] was used to detect early termination on PART runs with more than two threads (the solution is flagged when a thread is connected to both beginning and end). PWQ performs quite poorly, but PART hits breakeven at two threads and again at five threads, achieving modest speedups beyond five threads. Theoretical energy efficiency breakeven is within the 90% confidence interval for seven and eight threads. The reasons for the peak at two threads are (1) the lower complexity of termination detection in the two-thread case and (2) the fact that there is a lower probability of the third and subsequent threads making useful forward progress: Only the first two threads are guaranteed to start on the solution line. This disappointing performance compared to results in Figure 6.47 is due to the less-tightly integrated hardware available in the larger and older Xeon<sup>®</sup> system running at 2.66GHz.

## 6.5.6 Future Directions and Conclusions

Much future work remains. First, this section applied only one technique used by human maze solvers. Others include following walls to exclude portions of the maze and choosing internal starting points based on the locations of previously traversed paths. Second, different choices of starting and ending points might favor different algorithms. Third, although placement of the PART algorithm's first two threads is straightforward, there are any number of placement schemes for the remaining threads. Optimal placement might well depend on the starting and ending points. Fourth, study of unsolvable mazes and cyclic mazes is likely to produce interesting results. Fifth, the lightweight C++11 atomic operations might improve performance. Sixth, it would be interesting to compare the speedups for three-dimensional mazes (or of even higher-order mazes). Finally, for mazes, humiliating parallelism indicated a more-efficient sequential implementation using coroutines. Do humiliatingly parallel algorithms always lead to more-efficient sequential implementations, or are there inherently humiliatingly parallel algorithms for which coroutine context-switch overhead overwhelms the speedups?

This section demonstrated and analyzed parallelization of maze-solution algorithms. A conventional work-queue-based algorithm did well only when compiler optimizations were disabled, suggesting that some prior results obtained using high-level/overhead languages will be invalidated by advances in optimization.

This section gave a clear example where approaching parallelism as a first-class optimization technique rather than as a derivative of a sequential algorithm paves the way for an improved sequential algorithm. High-level design-time application of parallelism is likely to be a fruitful field of study. This section took the problem of solving mazes from mildly scalable to humiliatingly parallel and back again. It is hoped that this experience will motivate work on parallelism as a first-class design-time whole-application optimization technique, rather than as a grossly suboptimal after-the-fact micro-optimization to be retrofitted into existing programs.

## **6.6 Partitioning, Parallelism, and Optimization**

Most important, although this chapter has demonstrated that although applying parallelism at the design level gives excellent results, this final section shows that this is not enough. For search problems such as maze solution, this section has shown that search strategy is even more important than parallel design. Yes, for this particular type of maze, intelligently applying parallelism identified a superior search strategy, but this sort of luck is no substitute for a clear focus on search strategy itself.

As noted back in Section 2.2, parallelism is but one potential optimization of many. A successful design needs to focus on the most important optimization. Much though I might wish to claim otherwise, that optimization might or might not be parallelism.

However, for the many cases where parallelism is the right optimization, the next section covers that synchronization workhorse, locking.

## Chapter 7

# Locking

In recent concurrency research, the role of villain is often played by locking. In many papers and presentations, locking stands accused of promoting deadlocks, convoying, starvation, unfairness, data races, and all manner of other concurrency sins. Interestingly enough, the role of workhorse in production-quality shared-memory parallel software is played by, you guessed it, locking. This chapter will look into this dichotomy between villain and hero, as fancifully depicted in Figures 7.1 and Figure 7.2.

There are a number of reasons behind this Jekyll-and-Hyde dichotomy:

1. Many of locking's sins have pragmatic design solutions that work well in most cases, for example:
  - (a) Use of lock hierarchies to avoid deadlock.
  - (b) Deadlock-detection tools, for example, the Linux kernel's lockdep facility [Cor06a].
  - (c) Locking-friendly data structures, such as arrays, hash tables, and radix trees, which will be covered in Chapter 10.
2. Some of locking's sins are problems only at high levels of contention, levels reached only by poorly designed programs.
3. Some of locking's sins are avoided by using other synchronization mechanisms in concert with locking. These other mechanisms include statistical counters (see Chapter 5), reference counters (see Section 9.1), hazard pointers (see Section 9.1.2), sequence-locking readers (see Section 9.2) RCU (see Section 9.3), and simple non-blocking data structures (see Section 14.3).
4. Until quite recently, almost all large shared-memory parallel programs were developed in secret, so that it was difficult for most researchers to learn of these pragmatic solutions.
5. Locking works extremely well for some software artifacts and extremely poorly for others. Developers who have worked on artifacts for which locking works well can be expected to have a much more positive opinion of locking than those who have worked on artifacts for which locking works poorly, as will be discussed in Section 7.5.

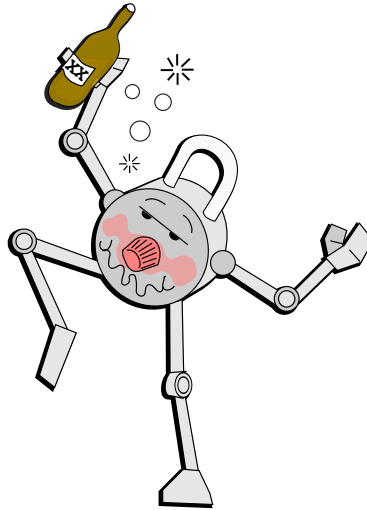


Figure 7.1: Locking: Villain or Slob?

6. All good stories need a villain, and locking has a long and honorable history serving as a research-paper whipping boy.

**Quick Quiz 7.1:** Just how can serving as a whipping boy be considered to be in any way honorable??? ■

This chapter will give an overview of a number of ways to avoid locking's more serious sins.

## 7.1 Staying Alive

Given that locking stands accused of deadlock and starvation, one important concern for shared-memory parallel developers is simply staying alive. The following sections therefore cover deadlock, livelock, starvation, unfairness, and inefficiency.

### 7.1.1 Deadlock

Deadlock occurs when each of a group of threads is holding at least one lock while at the same time waiting on a lock held by a member of that same group.

Without some sort of external intervention, deadlock is forever. No thread can acquire the lock it is waiting on until that lock is released by the thread holding it, but the thread holding it cannot release it until the holding thread acquires the lock that it is waiting on.

We can create a directed-graph representation of a deadlock scenario with nodes for threads and locks, as shown in Figure 7.3. An arrow from a lock to a thread indicates that the thread holds the lock, for example, Thread B holds Locks 2 and 4. An arrow from a thread to a lock indicates that the thread is waiting on the lock, for example, Thread B is waiting on Lock 3.

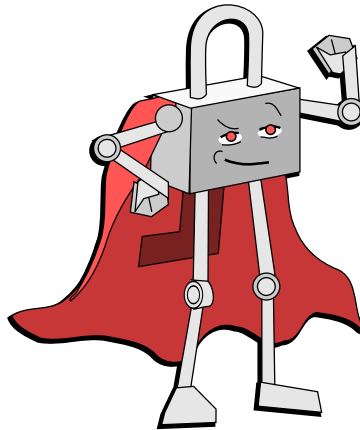


Figure 7.2: Locking: Workhorse or Hero?

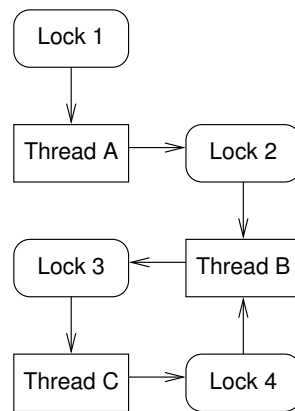


Figure 7.3: Deadlock Cycle

A deadlock scenario will always contain at least one deadlock cycle. In Figure 7.3, this cycle is Thread B, Lock 3, Thread C, Lock 4, and back to Thread B.

**Quick Quiz 7.2:** But the definition of deadlock only said that each thread was holding at least one lock and waiting on another lock that was held by some thread. How do you know that there is a cycle? ■

Although there are some software environments such as database systems that can repair an existing deadlock, this approach requires either that one of the threads be killed or that a lock be forcibly stolen from one of the threads. This killing and forcible stealing can be appropriate for transactions, but is often problematic for kernel and application-level use of locking: dealing with the resulting partially updated structures can be extremely complex, hazardous, and error-prone.

Kernels and applications therefore work to avoid deadlocks rather than to recover from them. There are a number of deadlock-avoidance strategies, including locking hierarchies (Section 7.1.1.1), local locking hierarchies (Section 7.1.1.2), layered locking

hierarchies (Section 7.1.1.3), strategies for dealing with APIs containing pointers to locks (Section 7.1.1.4), conditional locking (Section 7.1.1.5), acquiring all needed locks first (Section 7.1.1.6), single-lock-at-a-time designs (Section 7.1.1.7), and strategies for signal/interrupt handlers (Section 7.1.1.8). Although there is no deadlock-avoidance strategy that works perfectly for all situations, there is a good selection of deadlock-avoidance tools to choose from.

### 7.1.1.1 Locking Hierarchies

Locking hierarchies order the locks and prohibit acquiring locks out of order. In Figure 7.3, we might order the locks numerically, so that a thread was forbidden from acquiring a given lock if it already held a lock with the same or a higher number. Thread B has violated this hierarchy because it is attempting to acquire Lock 3 while holding Lock 4, which permitted the deadlock to occur.

Again, to apply a locking hierarchy, order the locks and prohibit out-of-order lock acquisition. In large program, it is wise to use tools to enforce your locking hierarchy [Cor06a].

### 7.1.1.2 Local Locking Hierarchies

However, the global nature of locking hierarchies make them difficult to apply to library functions. After all, the program using a given library function has not even been written yet, so how can the poor library-function implementor possibly hope to adhere to the yet-to-be-written program's locking hierarchy?

One special case that is fortunately the common case is when the library function does not invoke any of the caller's code. In this case, the caller's locks will never be acquired while holding any of the library's locks, so that there cannot be a deadlock cycle containing locks from both the library and the caller.

**Quick Quiz 7.3:** Are there any exceptions to this rule, so that there really could be a deadlock cycle containing locks from both the library and the caller, even given that the library code never invokes any of the caller's functions? ■

But suppose that a library function does invoke the caller's code. For example, the `qsort()` function invokes a caller-provided comparison function. A concurrent implementation of `qsort()` likely uses locking, which might result in deadlock in the perhaps-unlikely case where the comparison function is a complicated function involving also locking. How can the library function avoid deadlock?

The golden rule in this case is "release all locks before invoking unknown code." To follow this rule, the `qsort()` function must release all locks before invoking the comparison function.

**Quick Quiz 7.4:** But if `qsort()` releases all its locks before invoking the comparison function, how can it protect against races with other `qsort()` threads? ■

To see the benefits of local locking hierarchies, compare Figures 7.4 and 7.5. In both figures, application functions `foo()` and `bar()` invoke `qsort()` while holding locks A and B, respectively. Because this is a parallel implementation of `qsort()`, it acquires lock C. Function `foo()` passes function `cmp()` to `qsort()`, and `cmp()` acquires lock B. Function `bar()` passes a simple integer-comparison function (not shown) to `qsort()`, and this simple function does not acquire any locks.

Now, if `qsort()` holds Lock C while calling `cmp()` in violation of the golden release-all-locks rule above, as shown in Figure 7.4, deadlock can occur. To see this, suppose that one thread invokes `foo()` while a second thread concurrently invokes



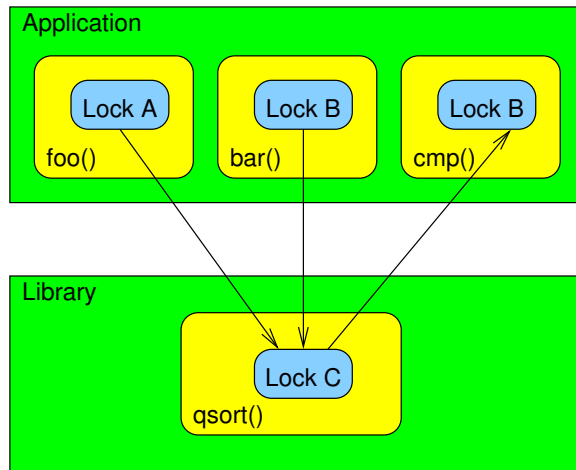


Figure 7.4: Without Local Locking Hierarchy for `qsort()`

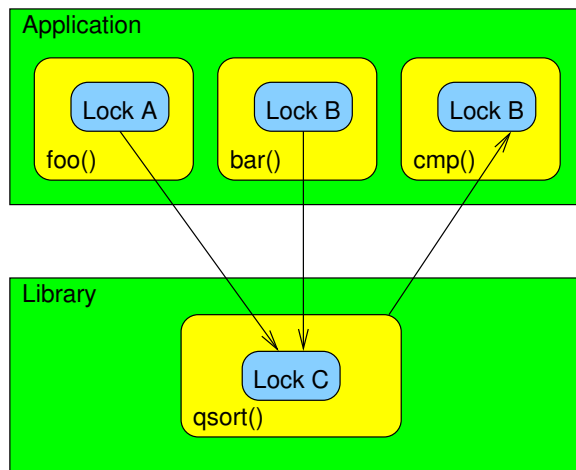


Figure 7.5: Local Locking Hierarchy for `qsort()`

`bar()`. The first thread will acquire lock A and the second thread will acquire lock B. If the first thread's call to `qsort()` acquires lock C, then it will be unable to acquire lock B when it calls `cmp()`. But the first thread holds lock C, so the second thread's call to `qsort()` will be unable to acquire it, and thus unable to release lock B, resulting in deadlock.

In contrast, if `qsort()` releases lock C before invoking the comparison function (which is unknown code from `qsort()`'s perspective, then deadlock is avoided as shown in Figure 7.5.

If each module releases all locks before invoking unknown code, then deadlock is avoided if each module separately avoids deadlock. This rule therefore greatly simplifies deadlock analysis and greatly improves modularity.

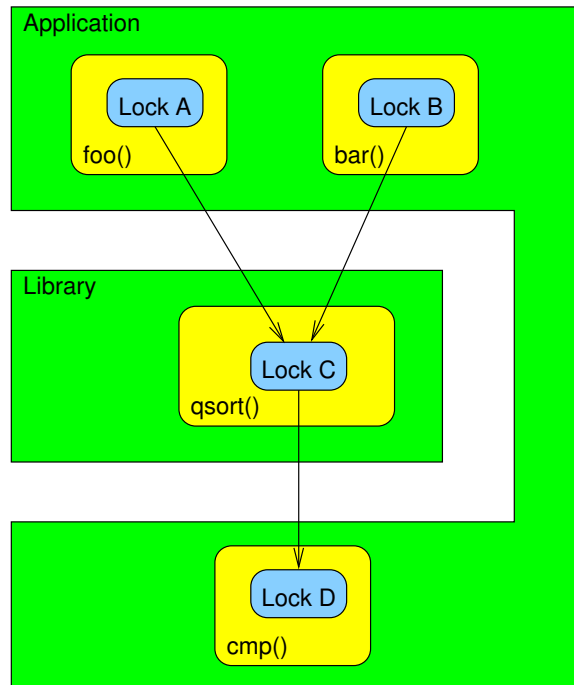


Figure 7.6: Layered Locking Hierarchy for `qsort()`

### 7.1.1.3 Layered Locking Hierarchies

Unfortunately, it might not be possible for `qsort()` to release all of its locks before invoking the comparison function. In this case, we cannot construct a local locking hierarchy by releasing all locks before invoking unknown code. However, we can instead construct a layered locking hierarchy, as shown in Figure 7.6. Here, the `cmp()` function uses a new lock D that is acquired after all of locks A, B, and C, avoiding deadlock. We therefore have three layers to the global deadlock hierarchy, the first containing locks A and B, the second containing lock C, and the third containing lock D.

Please note that it is not typically possible to mechanically change `cmp()` to use the new Lock D. Quite the opposite: It is often necessary to make profound design-level modifications. Nevertheless, the effort required for such modifications is normally a small price to pay in order to avoid deadlock.

For another example where releasing all locks before invoking unknown code is impractical, imagine an iterator over a linked list, as shown in Figure 7.7 (`locked_list.c`). The `list_start()` function acquires a lock on the list and returns the first element (if there is one), and `list_next()` either returns a pointer to the next element in the list or releases the lock and returns `NULL` if the end of the list has been reached.

Figure 7.8 shows how this list iterator may be used. Lines 1-4 define the `list_ints` element containing a single integer, and lines 6-17 show how to iterate over the list. Line 11 locks the list and fetches a pointer to the first element, line 13 provides a pointer to our enclosing `list_ints` structure, line 14 prints the corresponding integer, and line 15 moves to the next element. This is quite simple, and hides all of the locking.

```

1 struct locked_list {
2     spinlock_t s;
3     struct list_head h;
4 };
5
6 struct list_head *list_start(struct locked_list *lp)
7 {
8     spin_lock(&lp->s);
9     return list_next(lp, &lp->h);
10 }
11
12 struct list_head *list_next(struct locked_list *lp,
13                             struct list_head *np)
14 {
15     struct list_head *ret;
16
17     ret = np->next;
18     if (ret == &lp->h) {
19         spin_unlock(&lp->s);
20         ret = NULL;
21     }
22     return ret;
23 }

```

Figure 7.7: Concurrent List Iterator

```

1 struct list_ints {
2     struct list_head n;
3     int a;
4 };
5
6 void list_print(struct locked_list *lp)
7 {
8     struct list_head *np;
9     struct list_ints *ip;
10
11     np = list_start(lp);
12     while (np != NULL) {
13         ip = list_entry(np, struct list_ints, n);
14         printf("\t%d\n", ip->a);
15         np = list_next(lp, np);
16     }
17 }

```

Figure 7.8: Concurrent List Iterator Usage

```

1 spin_lock(&lock2);
2 layer_2_processing(pkt);
3 nextlayer = layer_1(pkt);
4 spin_lock(&nextlayer->lock1);
5 layer_1_processing(pkt);
6 spin_unlock(&lock2);
7 spin_unlock(&nextlayer->lock1);

```

Figure 7.9: Protocol Layering and Deadlock

That is, the locking remains hidden as long as the code processing each list element does not itself acquire a lock that is held across some other call to `list_start()` or `list_next()`, which results in deadlock. We can avoid the deadlock by layering the locking hierarchy to take the list-iterator locking into account.

This layered approach can be extended to an arbitrarily large number of layers, but each added layer increases the complexity of the locking design. Such increases in complexity are particularly inconvenient for some types of object-oriented designs, in which control passes back and forth among a large group of objects in an undisciplined manner.<sup>1</sup> This mismatch between the habits of object-oriented design and the need to avoid deadlock is an important reason why parallel programming is perceived by some to be so difficult.

Some alternatives to highly layered locking hierarchies are covered in Chapter 9.

#### 7.1.1.4 Locking Hierarchies and Pointers to Locks

Although there are some exceptions, an external API containing a pointer to a lock is very often a misdesigned API. Handing an internal lock to some other software component is after all the antithesis of information hiding, which is in turn a key design principle.

**Quick Quiz 7.5:** Name one common exception where it is perfectly reasonable to pass a pointer to a lock into a function. ■

One exception is functions that hand off some entity, where the caller's lock must be held until the handoff is complete, but where the lock must be released before the function returns. One example of such a function is the POSIX `pthread_cond_wait()` function, where passing an pointer to a `pthread_mutex_t` prevents hangs due to lost wakeups.

**Quick Quiz 7.6:** Doesn't the fact that `pthread_cond_wait()` first releases the mutex and then re-acquires it eliminate the possibility of deadlock? ■

In short, if you find yourself exporting an API with a pointer to a lock as an argument or the return value, do yourself a favor and carefully reconsider your API design. It might well be the right thing to do, but experience indicates that this is unlikely.

#### 7.1.1.5 Conditional Locking

But suppose that there is no reasonable locking hierarchy. This can happen in real life, for example, in layered network protocol stacks where packets flow in both directions. In the networking case, it might be necessary to hold the locks from both layers when passing a packet from one layer to another. Given that packets travel both up and down the protocol stack, this is an excellent recipe for deadlock, as illustrated in Figure 7.9.

<sup>1</sup> One name for this is "object-oriented spaghetti code."

```

1 retry:
2   spin_lock(&lock2);
3   layer_2_processing(pkt);
4   nextlayer = layer_1(pkt);
5   if (!spin_trylock(&nextlayer->lock1)) {
6     spin_unlock(&lock2);
7     spin_lock(&nextlayer->lock1);
8     spin_lock(&lock2);
9     if (layer_1(pkt) != nextlayer) {
10      spin_unlock(&nextlayer->lock1);
11      spin_unlock(&lock2);
12      goto retry;
13    }
14  }
15  layer_1_processing(pkt);
16  spin_unlock(&lock2);
17  spin_unlock(&nextlayer->lock1);

```

Figure 7.10: Avoiding Deadlock Via Conditional Locking

Here, a packet moving down the stack towards the wire must acquire the next layer’s lock out of order. Given that packets moving up the stack away from the wire are acquiring the locks in order, the lock acquisition in line 4 of the figure can result in deadlock.

One way to avoid deadlocks in this case is to impose a locking hierarchy, but when it is necessary to acquire a lock out of order, acquire it conditionally, as shown in Figure 7.10. Instead of unconditionally acquiring the layer-1 lock, line 5 conditionally acquires the lock using the `spin_trylock()` primitive. This primitive acquires the lock immediately if the lock is available (returning non-zero), and otherwise returns zero without acquiring the lock.

If `spin_trylock()` was successful, line 15 does the needed layer-1 processing. Otherwise, line 6 releases the lock, and lines 7 and 8 acquire them in the correct order. Unfortunately, there might be multiple networking devices on the system (e.g., Ethernet and WiFi), so that the `layer_1()` function must make a routing decision. This decision might change at any time, especially if the system is mobile.<sup>2</sup> Therefore, line 9 must recheck the decision, and if it has changed, must release the locks and start over.

**Quick Quiz 7.7:** Can the transformation from Figure 7.9 to Figure 7.10 be applied universally? ■

**Quick Quiz 7.8:** But the complexity in Figure 7.10 is well worthwhile given that it avoids deadlock, right? ■

#### 7.1.1.6 Acquire Needed Locks First

In an important special case of conditional locking all needed locks are acquired before any processing is carried out. In this case, processing need not be idempotent: if it turns out to be impossible to acquire a given lock without first releasing one that was already acquired, just release all the locks and try again. Only once all needed locks are held will any processing be carried out.

However, this procedure can result in *livelock*, which will be discussed in Section 7.1.2.

**Quick Quiz 7.9:** When using the “acquire needed locks first” approach described in Section 7.1.1.6, how can livelock be avoided? ■

<sup>2</sup> And, in contrast to the 1900s, mobility is the common case.

A related approach, two-phase locking [BHG87], has seen long production use in transactional database systems. In the first phase of a two-phase locking transaction, locks are acquired but not released. Once all needed locks have been acquired, the transaction enters the second phase, where locks are released, but not acquired. This locking approach allows databases to provide serializability guarantees for their transactions, in other words, to guarantee that all of values see and produced by the transactions are consistent with some global ordering of all the transactions. Many such systems rely on the ability to abort transactions, although this can be simplified by avoiding making any changes to shared data until all needed locks are acquired. Livelock and deadlock are issues in such systems, but practical solutions may be found in any of a number of database textbooks.

#### 7.1.1.7 Single-Lock-at-a-Time Designs

In some cases, it is possible to avoid nesting locks, thus avoiding deadlock. For example, if a problem is perfectly partitionable, a single lock may be assigned to each partition. Then a thread working on a given partition need only acquire the one corresponding lock. Because no thread ever holds more than one lock at a time, deadlock is impossible.

However, there must be some mechanism to ensure that the needed data structures remain in existence during the time that neither lock is held. One such mechanism is discussed in Section 7.4 and several others are presented in Chapter 9.

#### 7.1.1.8 Signal/Interrupt Handlers

Deadlocks involving signal handlers are often quickly dismissed by noting that it is not legal to invoke `pthread_mutex_lock()` from within a signal handler [Ope97]. However, it is possible (though almost always unwise) to hand-craft locking primitives that can be invoked from signal handlers. Besides which, almost all operating-system kernels permit locks to be acquired from within interrupt handlers, which are the kernel analog to signal handlers.

The trick is to block signals (or disable interrupts, as the case may be) when acquiring any lock that might be acquired within an interrupt handler. Furthermore, if holding such a lock, it is illegal to attempt to acquire any lock that is ever acquired outside of a signal handler without blocking signals.

**Quick Quiz 7.10:** Why is it illegal to acquire a Lock A that is acquired outside of a signal handler without blocking signals while holding a Lock B that is acquired within a signal handler? ■

If a lock is acquired by the handlers for several signals, then each and every one of these signals must be blocked whenever that lock is acquired, even when that lock is acquired within a signal handler.

**Quick Quiz 7.11:** How can you legally block signals within a signal handler? ■

Unfortunately, blocking and unblocking signals can be expensive in some operating systems, notably including Linux, so performance concerns often mean that locks acquired in signal handlers are only acquired in signal handlers, and that lockless synchronization mechanisms are used to communicate between application code and signal handlers.

Or that signal handlers are avoided completely except for handling fatal errors.

**Quick Quiz 7.12:** If acquiring locks in signal handlers is such a bad idea, why even discuss ways of making it safe? ■

```

1 void thread1(void)
2 {
3  retry:
4   spin_lock(&lock1);
5   do_one_thing();
6   if (!spin_trylock(&lock2)) {
7     spin_unlock(&lock1);
8     goto retry;
9   }
10  do_another_thing();
11  spin_unlock(&lock2);
12  spin_unlock(&lock1);
13 }
14
15 void thread2(void)
16 {
17  retry:
18   spin_lock(&lock2);
19   do_a_third_thing();
20   if (!spin_trylock(&lock1)) {
21     spin_unlock(&lock2);
22     goto retry;
23   }
24   do_a_fourth_thing();
25   spin_unlock(&lock1);
26   spin_unlock(&lock2);
27 }

```

Figure 7.11: Abusing Conditional Locking

### 7.1.1.9 Discussion

There are a large number of deadlock-avoidance strategies available to the shared-memory parallel programmer, but there are sequential programs for which none of them is a good fit. This is one of the reasons that expert programmers have more than one tool in their toolbox: locking is a powerful concurrency tool, but there are jobs better addressed with other tools.

**Quick Quiz 7.13:** Given an object-oriented application that passes control freely among a group of objects such that there is no straightforward locking hierarchy,<sup>3</sup> layered or otherwise, how can this application be parallelized? ■

Nevertheless, the strategies described in this section have proven quite useful in many settings.

### 7.1.2 Livelock and Starvation

Although conditional locking can be an effective deadlock-avoidance mechanism, it can be abused. Consider for example the beautifully symmetric example shown in Figure 7.11. This example’s beauty hides an ugly livelock. To see this, consider the following sequence of events:

1. Thread 1 acquires `lock1` on line 4, then invokes `do_one_thing()`.
2. Thread 2 acquires `lock2` on line 18, then invokes `do_a_third_thing()`.
3. Thread 1 attempts to acquire `lock2` on line 6, but fails because Thread 2 holds it.

---

<sup>3</sup> Also known as “object-oriented spaghetti code.”

```

1 void thread1(void)
2 {
3   unsigned int wait = 1;
4   retry:
5     spin_lock(&lock1);
6     do_one_thing();
7     if (!spin_trylock(&lock2)) {
8       spin_unlock(&lock1);
9       sleep(wait);
10      wait = wait << 1;
11      goto retry;
12    }
13    do_another_thing();
14    spin_unlock(&lock2);
15    spin_unlock(&lock1);
16  }
17
18 void thread2(void)
19 {
20   unsigned int wait = 1;
21   retry:
22     spin_lock(&lock2);
23     do_a_third_thing();
24     if (!spin_trylock(&lock1)) {
25       spin_unlock(&lock2);
26       sleep(wait);
27       wait = wait << 1;
28       goto retry;
29     }
30     do_a_fourth_thing();
31     spin_unlock(&lock1);
32     spin_unlock(&lock2);
33  }

```

Figure 7.12: Conditional Locking and Exponential Backoff

4. Thread 2 attempts to acquire `lock1` on line 20, but fails because Thread 1 holds it.
5. Thread 1 releases `lock1` on line 7, then jumps to `retry` at line 3.
6. Thread 2 releases `lock2` on line 21, and jumps to `retry` at line 17.
7. The livelock dance repeats from the beginning.

**Quick Quiz 7.14:** How can the livelock shown in Figure 7.11 be avoided? ■

Livelock can be thought of as an extreme form of starvation where a group of threads starve, rather than just one of them.<sup>4</sup>

Livelock and starvation are serious issues in software transactional memory implementations, and so the concept of *contention manager* has been introduced to encapsulate these issues. In the case of locking, simple exponential backoff can often address livelock and starvation. The idea is to introduce exponentially increasing delays before each retry, as shown in Figure 7.12.

**Quick Quiz 7.15:** What problems can you spot in the code in Figure 7.12? ■

However, for better results, the backoff should be bounded, and even better high-contention results have been obtained via queued locking [And90], which is discussed more in Section 7.3.2. Of course, best of all is to use a good parallel design so that lock contention remains low.

<sup>4</sup> Try not to get too hung up on the exact definitions of terms like livelock, starvation, and unfairness. Anything that causes a group of threads to fail to make adequate forward progress is a problem that needs to be fixed, regardless of what name you choose for it.



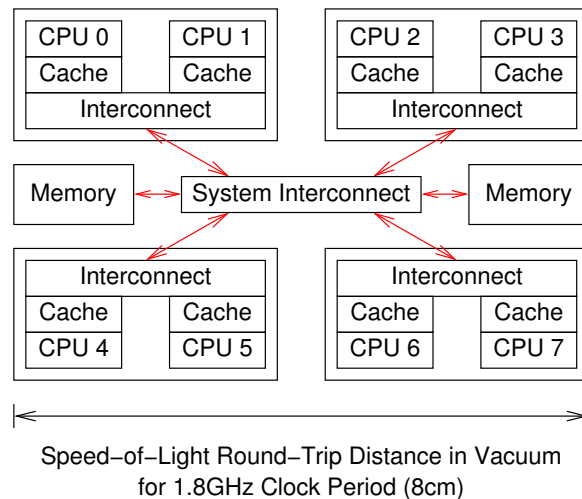


Figure 7.13: System Architecture and Lock Unfairness

### 7.1.3 Unfairness

Unfairness can be thought of as a less-severe form of starvation, where a subset of threads contending for a given lock are granted the lion's share of the acquisitions. This can happen on machines with shared caches or NUMA characteristics, for example, as shown in Figure 7.13. If CPU 0 releases a lock that all the other CPUs are attempting to acquire, the interconnect shared between CPUs 0 and 1 means that CPU 1 will have an advantage over CPUs 2-7. Therefore CPU 1 will likely acquire the lock. If CPU 1 hold the lock long enough for CPU 0 to be requesting the lock by the time CPU 1 releases it and vice versa, the lock can shuttle between CPUs 0 and 1, bypassing CPUs 2-7.

**Quick Quiz 7.16:** Wouldn't it be better just to use a good parallel design so that lock contention was low enough to avoid unfairness? ■

### 7.1.4 Inefficiency

Locks are implemented using atomic instructions and memory barriers, and often involve cache misses. As we saw in Chapter 3, these instructions are quite expensive, roughly two orders of magnitude greater overhead than simple instructions. This can be a serious problem for locking: If you protect a single instruction with a lock, you will increase the overhead by a factor of one hundred. Even assuming perfect scalability, *one hundred* CPUs would be required to keep up with a single CPU executing the same code without locking.

This situation underscores the synchronization-granularity tradeoff discussed in Section 6.3, especially Figure 6.22: Too coarse a granularity will limit scalability, while too fine a granularity will result in excessive synchronization overhead.

That said, once a lock is held, the data protected by that lock can be accessed by the lock holder without interference. Acquiring a lock might be expensive, but once held, the CPU's caches are an effective performance booster, at least for large critical sections.

**Quick Quiz 7.17:** How might the lock holder be interfered with? ■

## 7.2 Types of Locks

There are a surprising number of types of locks, more than this short chapter can possibly do justice to. The following sections discuss exclusive locks (Section 7.2.1), reader-writer locks (Section 7.2.2), multi-role locks (Section 7.2.3), and scoped locking (Section 7.2.4).

### 7.2.1 Exclusive Locks

Exclusive locks are what they say they are: only one thread may hold the lock at a time. The holder of such a lock thus has exclusive access to all data protected by that lock, hence the name.

Of course, this all assumes that this lock is held across all accesses to data purportedly protected by the lock. Although there are some tools that can help, the ultimate responsibility for ensuring that the lock is acquired in all necessary code paths rests with the developer.

**Quick Quiz 7.18:** Does it ever make sense to have an exclusive lock acquisition immediately followed by a release of that same lock, that is, an empty critical section?

■

### 7.2.2 Reader-Writer Locks

Reader-writer locks [CHP71] permit any number of readers to hold the lock concurrently on the one hand or a single writer to hold the lock on the other. In theory, then, reader-writer locks should allow excellent scalability for data that is read often and written rarely. In practice, the scalability will depend on the reader-writer lock implementation.

The classic reader-writer lock implementation involves a set of counters and flags that are manipulated atomically. This type of implementation suffers from the same problem as does exclusive locking for short critical sections: The overhead of acquiring and releasing the lock is about two orders of magnitude greater than the overhead of a simple instruction. Of course, if the critical section is long enough, the overhead of acquiring and releasing the lock becomes negligible. However, because only one thread at a time can be manipulating the lock, the required critical-section size increases with the number of CPUs.

It is possible to design a reader-writer lock that is much more favorable to readers through use of per-thread exclusive locks [HW92]. To read, a thread acquires only its own lock. To write, a thread acquires all locks. In the absence of writers, each reader incurs only atomic-instruction and memory-barrier overhead, with no cache misses, which is quite good for a locking primitive. Unfortunately, writers must incur cache misses as well as atomic-instruction and memory-barrier overhead—multiplied by the number of threads.

In short, reader-writer locks can be quite useful in a number of situations, but each type of implementation does have its drawbacks. The canonical use case for reader-writer locking involves very long read-side critical sections, preferably measured in hundreds of microseconds or even milliseconds.

### 7.2.3 Beyond Reader-Writer Locks

Reader-writer locks and exclusive locks differ in their admission policy: exclusive locks allow at most one holder, while reader-writer locks permit an arbitrary number

	Null (Not Held)	Concurrent Read	Concurrent Write	Protected Read	Protected Write	Exclusive
Null (Not Held)						
Concurrent Read						X
Concurrent Write				X	X	X
Protected Read			X		X	X
Protected Write			X	X	X	X
Exclusive		X	X	X	X	X

Table 7.1: VAX/VMS Distributed Lock Manager Policy

of read-holders (but only one write-holder). There is a very large number of possible admission policies, one of which is that of the VAX/VMS distributed lock manager (DLM) [ST87], which is shown in Table 7.1. Blank cells indicate compatible modes, while cells containing “X” indicate incompatible modes.

The VAX/VMS DLM uses six modes. For purposes of comparison, exclusive locks use two modes (not held and held), while reader-writer locks use three modes (not held, read held, and write held).

The first mode is null, or not held. This mode is compatible with all other modes, which is to be expected: If a thread is not holding a lock, it should not prevent any other thread from acquiring that lock.

The second mode is concurrent read, which is compatible with every other mode except for exclusive. The concurrent-read mode might be used to accumulate approximate statistics on a data structure, while permitting updates to proceed concurrently.

The third mode is concurrent write, which is compatible with null, concurrent read, and concurrent write. The concurrent-write mode might be used to update approximate statistics, while still permitting reads and concurrent updates to proceed concurrently.

The fourth mode is protected read, which is compatible with null, concurrent read, and protected read. The protected-read mode might be used to obtain a consistent snapshot of the data structure, while permitting reads but not updates to proceed concurrently.

The fifth mode is protected write, which is compatible with null and concurrent read. The protected-write mode might be used to carry out updates to a data structure that could interfere with protected readers but which could be tolerated by concurrent readers.

The sixth and final mode is exclusive, which is compatible only with null. The exclusive mode is used when it is necessary to exclude all other accesses.

It is interesting to note that exclusive locks and reader-writer locks can be emulated by the VAX/VMS DLM. Exclusive locks would use only the null and exclusive modes, while reader-writer locks might use the null, protected-read, and protected-write modes.

**Quick Quiz 7.19:** Is there any other way for the VAX/VMS DLM to emulate a reader-writer lock? ■

Although the VAX/VMS DLM policy has seen widespread production use for distributed databases, it does not appear to be used much in shared-memory applications.

One possible reason for this is that the greater communication overheads of distributed databases can hide the greater overhead of the VAX/VMS DLM's more-complex admission policy.

Nevertheless, the VAX/VMS DLM is an interesting illustration of just how flexible the concepts behind locking can be. It also serves as a very simple introduction to the locking schemes used by modern DBMSes, which can have more than thirty locking modes, compared to VAX/VMS's six.

## 7.2.4 Scoped Locking

The locking primitives discussed thus far require explicit acquisition and release primitives, for example, `spin_lock()` and `spin_unlock()`, respectively. Another approach is to use the object-oriented “resource allocation is initialization” (RAII) pattern [ES90].<sup>5</sup> This pattern is often applied to auto variables in languages like C++, where the corresponding *constructor* is invoked upon entry to the object's scope, and the corresponding *destructor* is invoked upon exit from that scope. This can be applied to locking by having the constructor acquire the lock and the destructor free it.

This approach can be quite useful, in fact in 1990 I was convinced that it was the only type of locking that was needed.<sup>6</sup> One very nice property of RAII locking is that you don't need to carefully release the lock on each and every code path that exits that scope, a property that can eliminate a troublesome set of bugs.

However, RAII locking also has a dark side. RAII makes it quite difficult to encapsulate lock acquisition and release, for example, in iterators. In many iterator implementations, you would like to acquire the lock in the iterator's “start” function and release it in the iterator's “stop” function. RAII locking instead requires that the lock acquisition and release take place in the same level of scoping, making such encapsulation difficult or even impossible.

RAII locking also prohibits overlapping critical sections, due to the fact that scopes must nest. This prohibition makes it difficult or impossible to express a number of useful constructs, for example, locking trees that mediate between multiple concurrent attempts to assert an event. Of an arbitrarily large group of concurrent attempts, only one need succeed, and the best strategy for the remaining attempts is for them to fail as quickly and painlessly as possible. Otherwise, lock contention becomes pathological on large systems (where “large” is many hundreds of CPUs).

Example data structures (taken from the Linux kernel's implementation of RCU) are shown in Figure 7.14. Here, each CPU is assigned a leaf `rcu_node` structure, and each `rcu_node` structure has a pointer to its parent (named, oddly enough, `->parent`), up to the root `rcu_node` structure, which has a `NULL ->parent` pointer. The number of child `rcu_node` structures per parent can vary, but is typically 32 or 64. Each `rcu_node` structure also contains a lock named `->fqslock`.

The general approach is a *tournament*, where a given CPU conditionally acquires its leaf `rcu_node` structure's `->fqslock`, and, if successful, attempt to acquire that of the parent, then release that of the child. In addition, at each level, the CPU checks a global `gp_flags` variable, and if this variable indicates that some other CPU has asserted the event, the first CPU drops out of the competition. This acquire-then-release sequence continues until either the `gp_flags` variable indicates that someone else

<sup>5</sup> Though more clearly expressed at [http://www.stroustrup.com/bs\\_faq2.html#finally](http://www.stroustrup.com/bs_faq2.html#finally).

<sup>6</sup> My later work with parallelism at Sequent Computer Systems very quickly disabused me of this misguided notion.

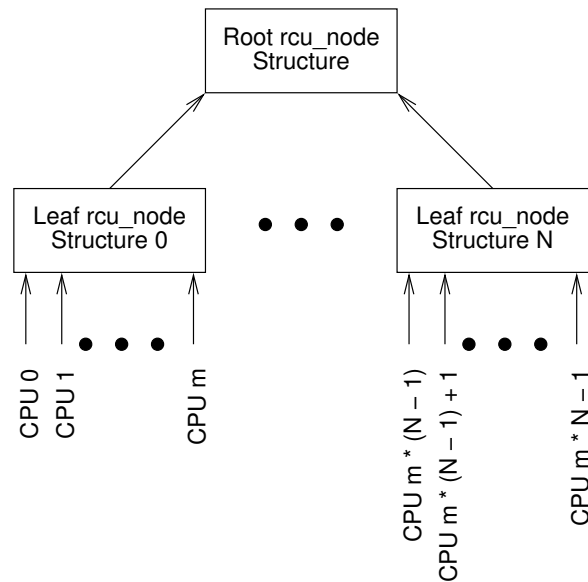


Figure 7.14: Locking Hierarchy

won the tournament, one of the attempts to acquire an `->fqslock` fails, or the root `rcu_node` structure's `->fqslock` as been acquired.

Simplified code to implement this is shown in Figure 7.15. The purpose of this function is to mediate between CPUs who have concurrently detected a need to invoke the `do_force_quiescent_state()` function. At any given time, it only makes sense for one instance of `do_force_quiescent_state()` to be active, so if there are multiple concurrent callers, we need at most one of them to actually invoke `do_force_quiescent_state()`, and we need the rest to (as quickly and painlessly as possible) give up and leave.

To this end, each pass through the loop spanning lines 7-15 attempts to advance up one level in the `rcu_node` hierarchy. If the `gp_flags` variable is already set (line 8) or if the attempt to acquire the current `rcu_node` structure's `->fqslock` is unsuccessful (line 9), then local variable `ret` is set to 1. If line 10 sees that local variable `rnp_old` is non-NULL, meaning that we hold `rnp_old`'s `->fqs_lock`, line 11 releases this lock (but only after the attempt has been made to acquire the parent `rcu_node` structure's `->fqslock`). If line 12 sees that either line 8 or 9 saw a reason to give up, line 13 returns to the caller. Otherwise, we must have acquired the current `rcu_node` structure's `->fqslock`, so line 14 saves a pointer to this structure in local variable `rnp_old` in preparation for the next pass through the loop.

If control reaches line 16, we won the tournament, and now holds the root `rcu_node` structure's `->fqslock`. If line 16 still sees that the global variable `gp_flags` is zero, line 17 sets `gp_flags` to one, line 18 invokes `do_force_quiescent_state()`, and line 19 resets `gp_flags` back to zero. Either way, line 21 releases the root `rcu_node` structure's `->fqslock`.

**Quick Quiz 7.20:** The code in Figure 7.15 is ridiculously complicated! Why not conditionally acquire a single global lock? ■

**Quick Quiz 7.21:** Wait a minute! If we “win” the tournament on line 16 of Fig-

```

1 void force_quiescent_state(struct rcu_node *rnp_leaf)
2 {
3     int ret;
4     struct rcu_node *rnp = rnp_leaf;
5     struct rcu_node *rnp_old = NULL;
6
7     for (; rnp != NULL; rnp = rnp->parent) {
8         ret = (ACCESS_ONCE(gp_flags) &&
9              !raw_spin_trylock(&rnp->fqlock));
10        if (rnp_old != NULL)
11            raw_spin_unlock(&rnp_old->fqlock);
12        if (ret)
13            return;
14        rnp_old = rnp;
15    }
16    if (ACCESS_ONCE(gp_flags) &&
17        ACCESS_ONCE(gp_flags) = 1;
18        do_force_quiescent_state();
19        ACCESS_ONCE(gp_flags) = 0;
20    }
21    raw_spin_unlock(&rnp_old->fqlock);
22 }

```

Figure 7.15: Conditional Locking to Reduce Contention

Figure 7.15, we get to do all the work of `do_force_quiescent_state()`. Exactly how is that a win, really? ■

This function illustrates the not-uncommon pattern of hierarchical locking. This pattern is quite difficult to implement using RAII locking, just like the iterator encapsulation noted earlier, and so the lock/unlock primitives will be needed for the foreseeable future.

## 7.3 Locking Implementation Issues

Developers are almost always best-served by using whatever locking primitives are provided by the system, for example, the POSIX pthread mutex locks [Ope97, But97]. Nevertheless, studying sample implementations can be helpful, as can considering the challenges posed by extreme workloads and environments.

### 7.3.1 Sample Exclusive-Locking Implementation Based on Atomic Exchange

This section reviews the implementation shown in Figure 7.16. The data structure for this lock is just an `int`, as shown on line 1, but could be any integral type. The initial value of this lock is zero, meaning “unlocked”, as shown on line 2.

**Quick Quiz 7.22:** Why not rely on the C language’s default initialization of zero instead of using the explicit initializer shown on line 2 of Figure 7.16? ■

Lock acquisition is carried out by the `xchg_lock()` function shown on lines 4-9. This function uses a nested loop, with the outer loop repeatedly atomically exchanging the value of the lock with the value one (meaning “locked”). If the old value was already the value one (in other words, someone else already holds the lock), then the inner loop (lines 7-8) spins until the lock is available, at which point the outer loop makes another attempt to acquire the lock.

**Quick Quiz 7.23:** Why bother with the inner loop on lines 7-8 of Figure 7.16? Why not simply repeatedly do the atomic exchange operation on line 6? ■

```

1 typedef int xchglock_t;
2 #define DEFINE_XCHG_LOCK(n) xchglock_t n = 0
3
4 void xchg_lock(xchglock_t *xp)
5 {
6     while (xchg(xp, 1) == 1) {
7         while (*xp == 1)
8             continue;
9     }
10 }
11
12 void xchg_unlock(xchglock_t *xp)
13 {
14     (void)xchg(xp, 0);
15 }

```

Figure 7.16: Sample Lock Based on Atomic Exchange

Lock release is carried out by the `xchg_unlock()` function shown on lines 12-15. Line 14 atomically exchanges the value zero (“unlocked”) into the lock, thus marking it as having been released.

**Quick Quiz 7.24:** Why not simply store zero into the lock word on line 14 of Figure 7.16? ■

This lock is a simple example of a test-and-set lock [SR84], but very similar mechanisms have been used extensively as pure spinlocks in production.

### 7.3.2 Other Exclusive-Locking Implementations

There are a great many other possible implementations of locking based on atomic instructions, many of which are reviewed by Mellor-Crummey and Scott [MCS91]. These implementations represent different points in a multi-dimensional design trade-off [McK96b]. For example, the atomic-exchange-based test-and-set lock presented in the previous section works well when contention is low and has the advantage of small memory footprint. It avoids giving the lock to threads that cannot use it, but as a result can suffer from unfairness or even starvation at high contention levels.

In contrast, ticket lock [MCS91], which is used in the Linux kernel, avoids unfairness at high contention levels, but as a consequence of its first-in-first-out discipline can grant the lock to a thread that is currently unable to use it, for example, due to being preempted, interrupted, or otherwise out of action. However, it is important to avoid getting too worried about the possibility of preemption and interruption, given that this preemption and interruption might just as well happen just after the lock was acquired.<sup>7</sup>

All locking implementations where waiters spin on a single memory location, including both test-and-set locks and ticket locks, suffer from performance problems at high contention levels. The problem is that the thread releasing the lock must update the value of the corresponding memory location. At low contention, this is not a problem: The corresponding cache line is very likely still local to and writeable by the thread holding the lock. In contrast, at high levels of contention, each thread attempting to acquire the lock will have a read-only copy of the cache line, and the lock holder will need to invalidate all such copies before it can carry out the update that releases the lock. In general, the more CPUs and threads there are, the greater the overhead incurred when

<sup>7</sup> Besides, the best way of handling high lock contention is to avoid it in the first place! However, there are some situations where high lock contention is the lesser of the available evils, and in any case, studying schemes that deal with high levels of contention is good mental exercise.

releasing the lock under conditions of high contention.

This negative scalability has motivated a number of different queued-lock implementations [And90, GT90, MCS91, WKS94, Cra93, MLH94, TS93]. Queued locks avoid high cache-invalidation overhead by assigning each thread a queue element. These queue elements are linked together into a queue that governs the order that the lock will be granted to the waiting threads. The key point is that each thread spins on its own queue element, so that the lock holder need only invalidate the first element from the next thread's CPU's cache. This arrangement greatly reduces the overhead of lock handoff at high levels of contention.

More recent queued-lock implementations also take the system's architecture into account, preferentially granting locks locally, while also taking steps to avoid starvation [SSVM02, RH03, RH02, JMRR02, MCM02]. Many of these can be thought of as analogous to the elevator algorithms traditionally used in scheduling disk I/O.

Unfortunately, the same scheduling logic that improves the efficiency of queued locks at high contention also increases their overhead at low contention. Beng-Hong Lim and Anant Agarwal therefore combined a simple test-and-set lock with a queued lock, using the test-and-set lock at low levels of contention and switching to the queued lock at high levels of contention [LA94], thus getting low overhead at low levels of contention and getting fairness and high throughput at high levels of contention. Browning et al. took a similar approach, but avoided the use of a separate flag, so that the test-and-set fast path uses the same sequence of instructions that would be used in a simple test-and-set lock [BMMM05]. This approach has been used in production.

Another issue that arises at high levels of contention is when the lock holder is delayed, especially when the delay is due to preemption, which can result in *priority inversion*, where a low-priority thread holds a lock, but is preempted by a medium priority CPU-bound thread, which results in a high-priority process blocking while attempting to acquire the lock. The result is that the CPU-bound medium-priority process is preventing the high-priority process from running. One solution is *priority inheritance* [LR80], which has been widely used for real-time computing [SRL90, Cor06b], despite some lingering controversy over this practice [Yod04, Loc02].

Another way to avoid priority inversion is to prevent preemption while a lock is held. Because preventing preemption while locks are held also improves throughput, most proprietary UNIX kernels offer some form of scheduler-conscious synchronization mechanism [KWS97], largely due to the efforts of a certain sizable database vendor. These mechanisms usually take the form of a hint that preemption would be inappropriate. These hints frequently take the form of a bit set in a particular machine register, which enables extremely low per-lock-acquisition overhead for these mechanisms. In contrast, Linux avoids these hints, instead getting similar results from a mechanism called *futexes* [FRK02, Mol06, Ros06, Dre11].

Interestingly enough, atomic instructions are not strictly needed to implement locks [Dij65, Lam74]. An excellent exposition of the issues surrounding locking implementations based on simple loads and stores may be found in Herlihy's and Shavit's textbook [HS08]. The main point echoed here is that such implementations currently have little practical application, although a careful study of them can be both entertaining and enlightening. Nevertheless, with one exception described below, such study is left as an exercise for the reader.

Gamsa et al. [GKAS99, Section 5.3] describe a token-based mechanism in which a token circulates among the CPUs. When the token reaches a given CPU, it has exclusive access to anything protected by that token. There are any number of schemes that may



be used to implement the token-based mechanism, for example:

1. Maintain a per-CPU flag, which is initially zero for all but one CPU. When a CPU's flag is non-zero, it holds the token. When it finishes with the token, it zeroes its flag and sets the flag of the next CPU to one (or to any other non-zero value).
2. Maintain a per-CPU counter, which is initially set to the corresponding CPU's number, which we assume to range from zero to  $N - 1$ , where  $N$  is the number of CPUs in the system. When a CPU's counter is greater than that of the next CPU (taking counter wrap into account), the first CPU holds the token. When it is finished with the token, it sets the next CPU's counter to a value one greater than its own counter.

**Quick Quiz 7.25:** How can you tell if one counter is greater than another, while accounting for counter wrap? ■

**Quick Quiz 7.26:** Which is better, the counter approach or the flag approach? ■

This lock is unusual in that a given CPU cannot necessarily acquire it immediately, even if no other CPU is using it at the moment. Instead, the CPU must wait until the token comes around to it. This is useful in cases where CPUs need periodic access to the critical section, but can tolerate variances in token-circulation rate. Gamsa et al. [GKAS99] used it to implement a variant of read-copy update (see Section 9.3), but it could also be used to protect periodic per-CPU operations such as flushing per-CPU caches used by memory allocators [MS93], garbage-collecting per-CPU data structures, or flushing per-CPU data to shared storage (or to mass storage, for that matter).

As increasing numbers of people gain familiarity with parallel hardware and parallelize increasing amounts of code, we can expect more special-purpose locking primitives to appear. Nevertheless, you should carefully consider this important safety tip: Use the standard synchronization primitives whenever humanly possible. The big advantage of the standard synchronization primitives over roll-your-own efforts is that the standard primitives are typically *much* less bug-prone.<sup>8</sup>

## 7.4 Lock-Based Existence Guarantees

A key challenge in parallel programming is to provide *existence guarantees* [GKAS99], so that attempts to access a given object can rely on that object being in existence throughout a given access attempt. In some cases, existence guarantees are implicit:

1. Global variables and static local variables in the base module will exist as long as the application is running.
2. Global variables and static local variables in a loaded module will exist as long as that module remains loaded.
3. A module will remain loaded as long as at least one of its functions has an active instance.
4. A given function instance's on-stack variables will exist until that instance returns.

---

<sup>8</sup> And yes, I have done at least my share of roll-your-own synchronization primitives. However, you will notice that my hair is much greyer than it was before I started doing that sort of work. Coincidence? Maybe. But are you *really* willing to risk your own hair turning prematurely grey?

```

1 int delete(int key)
2 {
3     int b;
4     struct element *p;
5
6     b = hashfunction(key);
7     p = hashtable[b];
8     if (p == NULL || p->key != key)
9         return 0;
10    spin_lock(&p->lock);
11    hashtable[b] = NULL;
12    spin_unlock(&p->lock);
13    kfree(p);
14    return 1;
15 }

```

Figure 7.17: Per-Element Locking Without Existence Guarantees

5. If you are executing within a given function or have been called (directly or indirectly) from that function, then the given function has an active instance.

These implicit existence guarantees are straightforward, though bugs involving implicit existence guarantees really can happen.

**Quick Quiz 7.27:** How can relying on implicit existence guarantees result in a bug? ■

But the more interesting—and troublesome—guarantee involves heap memory: A dynamically allocated data structure will exist until it is freed. The problem to be solved is to synchronize the freeing of the structure with concurrent accesses to that same structure. One way to do this is with *explicit guarantees*, such as locking. If a given structure may only be freed while holding a given lock, then holding that lock guarantees that structure’s existence.

But this guarantee depends on the existence of the lock itself. One straightforward way to guarantee the lock’s existence is to place the lock in a global variable, but global locking has the disadvantage of limiting scalability. One way of providing scalability that improves as the size of the data structure increases is to place a lock in each element of the structure. Unfortunately, putting the lock that is to protect a data element in the data element itself is subject to subtle race conditions, as shown in Figure 7.17.

**Quick Quiz 7.28:** What if the element we need to delete is not the first element of the list on line 8 of Figure 7.17? ■

**Quick Quiz 7.29:** What race condition can occur in Figure 7.17? ■

One way to fix this example is to use a hashed set of global locks, so that each hash bucket has its own lock, as shown in Figure 7.18. This approach allows acquiring the proper lock (on line 9) before gaining a pointer to the data element (on line 10). Although this approach works quite well for elements contained in a single partitionable data structure such as the hash table shown in the figure, it can be problematic if a given data element can be a member of multiple hash tables or given more-complex data structures such as trees or graphs. These problems can be solved, in fact, such solutions form the basis of lock-based software transactional memory implementations [ST95, DSS06]. However, Chapter 9 describes simpler—and faster—ways of providing existence guarantees.

```

1 int delete(int key)
2 {
3     int b;
4     struct element *p;
5     spinlock_t *sp;
6
7     b = hashfunction(key);
8     sp = &locktable[b];
9     spin_lock(sp);
10    p = hashtable[b];
11    if (p == NULL || p->key != key) {
12        spin_unlock(sp);
13        return 0;
14    }
15    hashtable[b] = NULL;
16    spin_unlock(sp);
17    kfree(p);
18    return 1;
19 }

```

Figure 7.18: Per-Element Locking With Lock-Based Existence Guarantees

## 7.5 Locking: Hero or Villain?

As is often the case in real life, locking can be either hero or villain, depending on how it is used and on the problem at hand. In my experience, those writing whole applications are happy with locking, those writing parallel libraries are less happy, and those parallelizing existing sequential libraries are extremely unhappy. The following sections discuss some reasons for these differences in viewpoints.

### 7.5.1 Locking For Applications: Hero!

When writing an entire application (or entire kernel), developers have full control of the design, including the synchronization design. Assuming that the design makes good use of partitioning, as discussed in Chapter 6, locking can be an extremely effective synchronization mechanism, as demonstrated by the heavy use of locking in production-quality parallel software.

Nevertheless, although such software usually bases most of its synchronization design on locking, such software also almost always makes use of other synchronization mechanisms, including special counting algorithms (Chapter 5), data ownership (Chapter 8), reference counting (Section 9.1), sequence locking (Section 9.2), and read-copy update (Section 9.3). In addition, practitioners use tools for deadlock detection [Cor06a], lock acquisition/release balancing [Cor04], cache-miss analysis [The11], hardware-counter-based profiling [EGMdB11, The12], and many more besides.

Given careful design, use of a good combination of synchronization mechanisms, and good tooling, locking works quite well for applications and kernels.

### 7.5.2 Locking For Parallel Libraries: Just Another Tool

Unlike applications and kernels, the designer of a library cannot know the locking design of the code that the library will be interacting with. In fact, that code might not be written for years to come. Library designers therefore have less control and must exercise more care when laying out their synchronization design.

Deadlock is of course of particular concern, and the techniques discussed in Section 7.1.1 need to be applied. One popular deadlock-avoidance strategy is therefore

to ensure that the library's locks are independent subtrees of the enclosing program's locking hierarchy. However, this can be harder than it looks.

One complication was discussed in Section 7.1.1.2, namely when library functions call into application code, with `qsort()`'s comparison-function argument being a case in point. Another complication is the interaction with signal handlers. If an application signal handler is invoked from a signal received within the library function, deadlock can ensue just as surely as if the library function had called the signal handler directly. A final complication occurs for those library functions that can be used between a `fork()/exec()` pair, for example, due to use of the `system()` function. In this case, if your library function was holding a lock at the time of the `fork()`, then the child process will begin life with that lock held. Because the thread that will release the lock is running in the parent but not the child, if the child calls your library function, deadlock will ensue.

The following strategies may be used to avoid deadlock problems in these cases:

1. Don't use either callbacks or signals.
2. Don't acquire locks from within callbacks or signal handlers.
3. Let the caller control synchronization.
4. Parameterize the library API to delegate locking to caller.
5. Explicitly avoid callback deadlocks.
6. Explicitly avoid signal-handler deadlocks.

Each of these strategies is discussed in on of the following sections.

#### **7.5.2.1 Use Neither Callbacks Nor Signals**

If a library function avoids callbacks and the application as a whole avoids signals, then any locks acquired by that library function will be leaves of the locking-hierarchy tree. This arrangement avoids deadlock, as discussed in Section 7.1.1.1. Although this strategy works extremely well where it applies, there are some applications that must use signal handlers, and there are some library functions (such as the `qsort()` function discussed in Section 7.1.1.2) that require callbacks.

The strategy described in the next section can often be used in these cases.

#### **7.5.2.2 Avoid Locking in Callbacks and Signal Handlers**

If neither callbacks nor signal handlers acquire locks, then they cannot be involved in deadlock cycles, which allows straightforward locking hierarchies to once again consider library functions to be leaves on the locking-hierarchy tree. This strategy works very well for most uses of `qsort`, whose callbacks usually simply compare the two values passed in to them. This strategy also works wonderfully for many signal handlers, especially given that acquiring locks from within signal handlers is generally frowned upon [Gro01],<sup>9</sup> but can fail if the application needs to manipulate complex data structures from a signal handler.

Here are some ways to avoid acquiring locks in signal handlers even if complex data structures must be manipulated:

---

<sup>9</sup> But the standard's words do not stop clever coders from creating their own home-brew locking primitives from atomic operations.

1. Use simple data structures based on non-blocking synchronization, as will be discussed in Section 14.3.1.
2. If the data structures are too complex for reasonable use of non-blocking synchronization, create a queue that allows non-blocking enqueue operations. In the signal handler, instead of manipulating the complex data structure, add an element to the queue describing the required change. A separate thread can then remove elements from the queue and carry out the required changes using normal locking. There are a number of readily available implementations of concurrent queues [KLP12, Des09, MS96].

This strategy should be enforced with occasional manual or (preferably) automated inspections of callbacks and signal handlers. When carrying out these inspections, be wary of clever coders who might have (unwisely) created home-brew locks from atomic operations.

### **7.5.2.3 Caller Controls Synchronization**

Let the caller control synchronization. This works extremely well when the library functions are operating on independent caller-visible instances of a data structure, each of which may be synchronized separately. For example, if the library functions operate on a search tree, and if the application needs a large number of independent search trees, then the application can associate a lock with each tree. The application then acquires and releases locks as needed, so that the library need not be aware of parallelism at all. Instead, the application controls the parallelism, so that locking can work very well, as was discussed in Section 7.5.1.

However, this strategy fails if the library implements a data structure that requires internal concurrency, for example, a hash table or a parallel sort. In this case, the library absolutely must control its own synchronization.

### **7.5.2.4 Parameterize Library Synchronization**

The idea here is to add arguments to the library's API to specify which locks to acquire, how to acquire and release them, or both. This strategy allows the application to take on the global task of avoiding deadlock by specifying which locks to acquire (by passing in pointers to the locks in question) and how to acquire them (by passing in pointers to lock acquisition and release functions), but also allows a given library function to control its own concurrency by deciding where the locks should be acquired and released.

In particular, this strategy allows the lock acquisition and release functions to block signals as needed without the library code needing to be concerned with of which signals need to be blocked by which locks. The separation of concerns used by this strategy can be quite effective, but in some cases the strategies laid out in the following sections can work better.

That said, passing explicit pointers to locks to external APIs must be very carefully considered, as discussed in Section 7.1.1.4. Although this practice is sometimes the right thing to do, you should do yourself a favor by looking into alternative designs first.

### **7.5.2.5 Explicitly Avoid Callback Deadlocks**

The basic rule behind this strategy was discussed in Section 7.1.1.2: "Release all locks before invoking unknown code." This is usually the best approach because it allows

the application to ignore the library's locking hierarchy: the library remains a leaf or isolated subtree of the application's overall locking hierarchy.

In cases where it is not possible to release all locks before invoking unknown code, the layered locking hierarchies described in Section 7.1.1.3 can work well. For example, if the unknown code is a signal handler, this implies that the library function block signals across all lock acquisitions, which can be complex and slow. Therefore, in cases where signal handlers (probably unwisely) acquire locks, the strategies in the next section may prove helpful.

#### 7.5.2.6 Explicitly Avoid Signal-Handler Deadlocks

Signal-handler deadlocks can be explicitly avoided as follows:

1. If the application invokes the library function from within a signal handler, then that signal must be blocked every time that the library function is invoked from outside of a signal handler.
2. If the application invokes the library function while holding a lock acquired within a given signal handler, then that signal must be blocked every time that the library function is called outside of a signal handler.

These rules can be enforced by using tools similar to the Linux kernel's lockdep lock dependency checker [Cor06a]. One of the great strengths of lockdep is that it is not fooled by human intuition [Ros11].

#### 7.5.2.7 Library Functions Used Between `fork()` and `exec()`

As noted earlier, if a thread executing a library function is holding a lock at the time that some other thread invokes `fork()`, the fact that the parent's memory is copied to create the child means that this lock will be born held in the child's context. The thread that will release this lock is running in the parent, but not in the child, which means that the child's copy of this lock will never be released. Therefore, any attempt on the part of the child to invoke that same library function will result in deadlock.

One approach to this problem would be to have the library function check to see if the owner of the lock is still running, and if not, "breaking" the lock by re-initializing and then acquiring it. However, this approach has a couple of vulnerabilities:

1. The data structures protected by that lock are likely to be in some intermediate state, so that naively breaking the lock might result in arbitrary memory corruption.
2. If the child creates additional threads, two threads might break the lock concurrently, with the result that both threads believe they own the lock. This could again result in arbitrary memory corruption.

The `atfork()` function is provided to help deal with these situations. The idea is to register a triplet of functions, one to be called by the parent before the `fork()`, one to be called by the parent after the `fork()`, and one to be called by the child after the `fork()`. Appropriate cleanups can then be carried out at these three points.

Be warned, however, that coding of `atfork()` handlers is quite subtle in general. The cases where `atfork()` works best are cases where the data structure in question can simply be re-initialized by the child.

### 7.5.2.8 Parallel Libraries: Discussion

Regardless of the strategy used, the description of the library's API must include a clear description of that strategy and how the caller should interact with that strategy. In short, constructing parallel libraries using locking is possible, but not as easy as constructing a parallel application.

### 7.5.3 Locking For Parallelizing Sequential Libraries: Villain!

With the advent of readily available low-cost multicore systems, a common task is parallelizing an existing library that was designed with only single-threaded use in mind. This all-too-common disregard for parallelism can result in a library API that is severely flawed from a parallel-programming viewpoint. Candidate flaws include:

1. Implicit prohibition of partitioning.
2. Callback functions requiring locking.
3. Object-oriented spaghetti code.

These flaws and the consequences for locking are discussed in the following sections.

#### 7.5.3.1 Partitioning Prohibited

Suppose that you were writing a single-threaded hash-table implementation. It is easy and fast to maintain an exact count of the total number of items in the hash table, and also easy and fast to return this exact count on each addition and deletion operation. So why not?

One reason is that exact counters do not perform or scale well on multicore systems, as was seen in Chapter 5. As a result, the parallelized implementation of the hash table will not perform or scale well.

So what can be done about this? One approach is to return an approximate count, using one of the algorithms from Chapter 5. Another approach is to drop the element count altogether.

Either way, it will be necessary to inspect uses of the hash table to see why the addition and deletion operations need the exact count. Here are a few possibilities:

1. Determining when to resize the hash table. In this case, an approximate count should work quite well. It might also be useful to trigger the resizing operation from the length of the longest chain, which can be computed and maintained in a nicely partitioned per-chain manner.
2. Producing an estimate of the time required to traverse the entire hash table. An approximate count works well in this case, also.
3. For diagnostic purposes, for example, to check for items being lost when transferring them to and from the hash table. This clearly requires an exact count. However, given that this usage is diagnostic in nature, it might suffice to maintain the lengths of the hash chains, then to infrequently sum them up while locking out addition and deletion operations.

It turns out that there is now a strong theoretical basis for some of the constraints that performance and scalability place on a parallel library's APIs [AGH<sup>+</sup>11a, AGH<sup>+</sup>11b, McK11b]. Anyone designing a parallel library needs to pay close attention to those constraints.

Although it is all too easy to blame locking for what are really problems due to a concurrency-unfriendly API, doing so is not helpful. On the other hand, one has little choice but to sympathize with the hapless developer who made this choice in (say) 1985. It would have been a rare and courageous developer to anticipate the need for parallelism at that time, and it would have required an even more rare combination of brilliance and luck to actually arrive at a good parallel-friendly API.

Times change, and code must change with them. That said, there might be a huge number of users of a popular library, in which case an incompatible change to the API would be quite foolish. Adding a parallel-friendly API to complement the existing heavily used sequential-only API is probably the best course of action in this situation.

Nevertheless, human nature being what it is, we can expect our hapless developer to be more likely to complain about locking than about his or her own poor (though understandable) API design choices.

### **7.5.3.2 Deadlock-Prone Callbacks**

Sections 7.1.1.2, 7.1.1.3, and 7.5.2 described how undisciplined use of callbacks can result in locking woes. These sections also described how to design your library function to avoid these problems, but it is unrealistic to expect a 1990s programmer with no experience in parallel programming to have followed such a design. Therefore, someone attempting to parallelize an existing callback-heavy single-threaded library will likely have many opportunities to curse locking's villainy.

If there are a very large number of users of a callback-heavy library, it may be wise to again add a parallel-friendly API to the library in order to allow existing users to convert their code incrementally. Alternatively, some advocate use of transactional memory in these cases. While the jury is still out on transactional memory, Section 16.2 discusses its strengths and weaknesses. It is important to note that hardware transactional memory (discussed in Section 16.3) cannot help here unless the hardware transactional memory implementation provides forward-progress guarantees, which few do. Other alternatives that appear to be quite practical (if less heavily hyped) include the methods discussed in Sections 7.1.1.5, and 7.1.1.6, as well as those that will be discussed in Chapters 8 and 9.

### **7.5.3.3 Object-Oriented Spaghetti Code**

Object-oriented programming went mainstream sometime in the 1980s or 1990s, and as a result there is a huge amount of object-oriented code in production, much of it single-threaded. Although object orientation can be a valuable software technique, undisciplined use of objects can easily result in object-oriented spaghetti code. In object-oriented spaghetti code, control flits from object to object in an essentially random manner, making the code hard to understand and even harder, and perhaps impossible, to accommodate a locking hierarchy.

Although many might argue that such code should be cleaned up in any case, such things are much easier to say than to do. If you are tasked with parallelizing such a beast, you can reduce the number of opportunities to curse locking by using the techniques described in Sections 7.1.1.5, and 7.1.1.6, as well as those that will be discussed in Chapters 8 and 9. This situation appears to be the use case that inspired transactional



memory, so it might be worth a try as well. That said, the choice of synchronization mechanism should be made in light of the hardware habits discussed in Chapter 3. After all, if the overhead of the synchronization mechanism is orders of magnitude more than that of the operations being protected, the results are not going to be pretty.

And that leads to a question well worth asking in these situations: Should the code remain sequential? For example, perhaps parallelism should be introduced at the process level rather than the thread level. In general, if a task is proving extremely hard, it is worth some time spent thinking about not only alternative ways to accomplish that particular task, but also alternative tasks that might better solve the problem at hand.

## **7.6 Summary**

Locking is perhaps the most widely used and most generally useful synchronization tool. However, it works best when designed into an application or library from the beginning. Given the large quantity of pre-existing single-threaded code that might need to one day run in parallel, locking should therefore not be the only tool in your parallel-programming toolbox. The next few chapters will discuss other tools, and how they can best be used in concert with locking and with each other.



## Chapter 8

# Data Ownership

One of the simplest ways to avoid the synchronization overhead that comes with locking is to parcel the data out among the threads (or, in the case of kernels, CPUs) so that a given piece of data is accessed and modified by only one of the threads. This approach is used extremely heavily, in fact, it is one usage pattern that even novices use almost instinctively. In fact, it is used so heavily that this chapter will not introduce any new examples, but will instead recycle examples from previous chapters.

**Quick Quiz 8.1:** What form of data ownership is extremely difficult to avoid when creating shared-memory parallel programs (for example, using pthreads) in C or C++?

There are a number of approaches to data ownership. Section 8.1 presents the logical extreme in data ownership, where each thread has its own private address space. Section 8.2 looks at the opposite extreme, where the data is shared, but different threads own different access rights to the data. Section 8.3 describes function shipping, which is a way of allowing other threads to have indirect access to data owned by a particular thread. Section 8.4 describes how designated threads can be assigned ownership of a specified function and the related data. Section 8.5 discusses improving performance by transforming algorithms with shared data to instead use data ownership. Finally, Section 8.6 lists a few software environments that feature data ownership as a first-class citizen.

### 8.1 Multiple Processes

Section 4.1 introduced the following example:

```
1 compute_it 1 > compute_it.1.out &  
2 compute_it 2 > compute_it.2.out &  
3 wait  
4 cat compute_it.1.out  
5 cat compute_it.2.out
```

This example runs two instances of the `compute_it` program in parallel, as separate processes that do not share memory. Therefore, all data in a given process is owned by that process, so that almost the entirety of data in the above example is owned. This approach almost entirely eliminates synchronization overhead. The resulting combination of extreme simplicity and optimal performance is obviously quite

attractive.

**Quick Quiz 8.2:** What synchronization remains in the example shown in Section 8.1? ■

**Quick Quiz 8.3:** Is there any shared data in the example shown in Section 8.1? ■

This same pattern can be written in C as well as in `sh`, as illustrated by Figures 4.2 and 4.3.

The next section discusses use of data ownership in shared-memory parallel programs.

## 8.2 Partial Data Ownership and `pthread`s

Chapter 5 makes heavy use of data ownership, but adds a twist. Threads are not allowed to modify data owned by other threads, but they are permitted to read it. In short, the use of shared memory allows more nuanced notions of ownership and access rights.

For example, consider the per-thread statistical counter implementation shown in Figure 5.9 on page 57. Here, `inc_count()` updates only the corresponding thread's instance of `counter`, while `read_count()` accesses, but does not modify, all threads' instances of `counter`.

**Quick Quiz 8.4:** Does it ever make sense to have partial data ownership where each thread reads only its own instance of a per-thread variable, but writes to other threads' instances? ■

Pure data ownership is also both common and useful, for example, the per-thread memory-allocator caches discussed in Section 6.4.3 starting on page 111. In this algorithm, each thread's cache is completely private to that thread.

## 8.3 Function Shipping

The previous section described a weak form of data ownership where threads reached out to other threads' data. This can be thought of as bringing the data to the functions that need it. An alternative approach is to send the functions to the data.

Such an approach is illustrated in Section 5.4.3 beginning on page 74, in particular the `flush_local_count_sig()` and `flush_local_count()` functions in Figure 5.24 on page 76.

The `flush_local_count_sig()` function is a signal handler that acts as the shipped function. The `pthread_kill()` function in `flush_local_count()` sends the signal—shipping the function—and then waits until the shipped function executes. This shipped function has the not-unusual added complication of needing to interact with any concurrently executing `add_count()` or `sub_count()` functions (see Figure 5.25 on page 77 and Figure 5.26 on page 78).

**Quick Quiz 8.5:** What mechanisms other than POSIX signals may be used for function shipping? ■

## 8.4 Designated Thread

The earlier sections describe ways of allowing each thread to keep its own copy or its own portion of the data. In contrast, this section describes a functional-decomposition approach, where a special designated thread owns the rights to the data that is required

to do its job. The eventually consistent counter implementation described in Section 5.2.3 provides an example. This implementation has a designated thread that runs the `eventual()` function shown on lines 15-32 of Figure 5.8. This `eventual()` thread periodically pulls the per-thread counts into the global counter, so that accesses to the global counter will, as the name says, eventually converge on the actual value.

**Quick Quiz 8.6:** But none of the data in the `eventual()` function shown on lines 15-32 of Figure 5.8 is actually owned by the `eventual()` thread! In just what way is this data ownership???

## 8.5 Privatization

One way of improving the performance and scalability of a shared-memory parallel program is to transform it so as to convert shared data to private data that is owned by a particular thread.

An excellent example of this is shown in the answer to one of the Quick Quizzes in Section 6.1.1, which uses privatization to produce a solution to the Dining Philosophers problem with much better performance and scalability than that of the standard textbook solution. The original problem has five philosophers sitting around the table with one fork between each adjacent pair of philosophers, which permits at most two philosophers to eat concurrently.

We can trivially privatize this problem by providing an additional five forks, so that each philosopher has his or her own private pair of forks. This allows all five philosophers to eat concurrently, and also offers a considerable reduction in the spread of certain types of disease.

In other cases, privatization imposes costs. For example, consider the simple limit counter shown in Figure 5.12 on page 62. This is an example of an algorithm where threads can read each others' data, but are only permitted to update their own data. A quick review of the algorithm shows that the only cross-thread accesses are in the summation loop in `read_count()`. If this loop is eliminated, we move to the more-efficient pure data ownership, but at the cost of a less-accurate result from `read_count()`.

**Quick Quiz 8.7:** Is it possible to obtain greater accuracy while still maintaining full privacy of the per-thread data?

In short, privatization is a powerful tool in the parallel programmer's toolbox, but it must nevertheless be used with care. Just like every other synchronization primitive, it has the potential to increase complexity while decreasing performance and scalability.

## 8.6 Other Uses of Data Ownership

Data ownership works best when the data can be partitioned so that there is little or no need for cross thread access or update. Fortunately, this situation is reasonably common, and in a wide variety of parallel-programming environments.

Examples of data ownership include:

1. All message-passing environments, such as MPI [MPI08] and BOINC [UoC08].
2. Map-reduce [Jac08].
3. Client-server systems, including RPC, web services, and pretty much any system with a back-end database server.

4. Shared-nothing database systems.
5. Fork-join systems with separate per-process address spaces.
6. Process-based parallelism, such as the Erlang language.
7. Private variables, for example, C-language on-stack auto variables, in threaded environments.

Data ownership is perhaps the most underappreciated synchronization mechanism in existence. When used properly, it delivers unrivaled simplicity, performance, and scalability. Perhaps its simplicity costs it the respect that it deserves. Hopefully a greater appreciation for the subtlety and power of data ownership will lead to greater level of respect, to say nothing of leading to greater performance and scalability coupled with reduced complexity.

## Chapter 9

# Deferred Processing

The strategy of deferring work goes back before the dawn of recorded history. It has occasionally been derided as procrastination or even as sheer laziness. However, in the last few decades workers have recognized this strategy's value in simplifying and streamlining parallel algorithms [KL80, Mas92]. Believe it or not, "laziness" in parallel programming often outperforms and scales better than does industriousness! General approaches to such work deferral tactics include reference counting, sequence locking, and RCU.

### 9.1 Reference Counting

Reference counting tracks the number of references to a given object in order to prevent that object from being prematurely freed. Although this is a conceptually simple technique, many devils hide in the details. After all, if the object was not subject to premature disposal, there would be no need for the reference counter in the first place. But if the object can be disposed of, what prevents disposal during the reference-acquisition process itself?

There are a number of possible answers to this question, including:

1. A lock residing outside of the object must be held while manipulating the reference count.
2. The object is created with a non-zero reference count, and new references may be acquired only when the current value of the reference counter is non-zero. If a thread does not have a reference to a given object, it may obtain one with the help of another thread that already has a reference.
3. An existence guarantee is provided for the object, preventing it from being freed while some other entity might be attempting to acquire a reference. Existence guarantees are often provided by automatic garbage collectors, and, as will be seen in Section 9.3, by RCU.
4. A type-safety guarantee is provided for the object. An additional identity check must be performed once the reference is acquired. Type-safety guarantees can be provided by special-purpose memory allocators, for example, by the `SLAB_DESTROY_BY_RCU` feature within the Linux kernel, as will be seen in Section 9.3.

Acquisition Synchronization	Release Synchronization		
	Locking	Reference Counting	RCU
Locking	-	CAM	CA
Reference Counting	A	AM	A
RCU	CA	MCA	CA

Table 9.1: Reference Counting and Synchronization Mechanisms

Of course, any mechanism that provides existence guarantees by definition also provides type-safety guarantees. This section will therefore group the last two answers together under the rubric of RCU, leaving us with three general categories of reference-acquisition protection: Reference counting, sequence locking, and RCU.

**Quick Quiz 9.1:** Why not implement reference-acquisition using a simple compare-and-swap operation that only acquires a reference if the reference counter is non-zero?

Given that the key reference-counting issue is synchronization between acquisition of a reference and freeing of the object, we have nine possible combinations of mechanisms, as shown in Table 9.1. This table divides reference-counting mechanisms into the following broad categories:

1. Simple counting with neither atomic operations, memory barriers, nor alignment constraints (“-”).
2. Atomic counting without memory barriers (“A”).
3. Atomic counting, with memory barriers required only on release (“AM”).
4. Atomic counting with a check combined with the atomic acquisition operation, and with memory barriers required only on release (“CAM”).
5. Atomic counting with a check combined with the atomic acquisition operation (“CA”).
6. Atomic counting with a check combined with the atomic acquisition operation, and with memory barriers also required on acquisition (“MCA”).

However, because all Linux-kernel atomic operations that return a value are defined to contain memory barriers, all release operations contain memory barriers, and all checked acquisition operations also contain memory barriers. Therefore, cases “CA” and “MCA” are equivalent to “CAM”, so that there are sections below for only the first four cases: “-”, “A”, “AM”, and “CAM”. The Linux primitives that support reference counting are presented in Section 9.1.3. Later sections cite optimizations that can improve performance if reference acquisition and release is very frequent, and the reference count need be checked for zero only very rarely.

### 9.1.1 Implementation of Reference-Counting Categories

Simple counting protected by locking (“-”) is described in Section 9.1.1.1, atomic counting with no memory barriers (“A”) is described in Section 9.1.1.2, atomic counting with acquisition memory barrier (“AM”) is described in Section 9.1.1.3, and atomic counting with check and release memory barrier (“CAM”) is described in Section 9.1.1.4.



### 9.1.1.1 Simple Counting

Simple counting, with neither atomic operations nor memory barriers, can be used when the reference-counter acquisition and release are both protected by the same lock. In this case, it should be clear that the reference count itself may be manipulated non-atomically, because the lock provides any necessary exclusion, memory barriers, atomic instructions, and disabling of compiler optimizations. This is the method of choice when the lock is required to protect other operations in addition to the reference count, but where a reference to the object must be held after the lock is released. Figure 9.1 shows a simple API that might be used to implement simple non-atomic reference counting – although simple reference counting is almost always open-coded instead.

```
1 struct sref {
2     int refcount;
3 };
4
5 void sref_init(struct sref *sref)
6 {
7     sref->refcount = 1;
8 }
9
10 void sref_get(struct sref *sref)
11 {
12     sref->refcount++;
13 }
14
15 int sref_put(struct sref *sref,
16             void (*release)(struct sref *sref))
17 {
18     WARN_ON(release == NULL);
19     WARN_ON(release == (void (*)(struct sref *))kfree);
20
21     if (--sref->refcount == 0) {
22         release(sref);
23         return 1;
24     }
25     return 0;
26 }
```

Figure 9.1: Simple Reference-Count API

### 9.1.1.2 Atomic Counting

Simple atomic counting may be used in cases where any CPU acquiring a reference must already hold a reference. This style is used when a single CPU creates an object for its own private use, but must allow other CPU, tasks, timer handlers, or I/O completion handlers that it later spawns to also access this object. Any CPU that hands the object off must first acquire a new reference on behalf of the recipient object. In the Linux kernel, the `kref` primitives are used to implement this style of reference counting, as shown in Figure 9.2.

Atomic counting is required because locking is not used to protect all reference-count operations, which means that it is possible for two different CPUs to concurrently manipulate the reference count. If normal increment and decrement were used, a pair of CPUs might both fetch the reference count concurrently, perhaps both obtaining the value “3”. If both of them increment their value, they will both obtain “4”, and both will store this value back into the counter. Since the new value of the counter should instead be “5”, one of the two increments has been lost. Therefore, atomic operations must be used both for counter increments and for counter decrements.

If releases are guarded by locking or RCU, memory barriers are *not* required, but for different reasons. In the case of locking, the locks provide any needed memory barriers (and disabling of compiler optimizations), and the locks also prevent a pair of releases from running concurrently. In the case of RCU, cleanup must be deferred until all currently executing RCU read-side critical sections have completed, and any needed memory barriers or disabling of compiler optimizations will be provided by the RCU infrastructure. Therefore, if two CPUs release the final two references concurrently, the actual cleanup will be deferred until both CPUs exit their RCU read-side critical sections.

**Quick Quiz 9.2:** Why isn't it necessary to guard against cases where one CPU acquires a reference just after another CPU releases the last reference? ■

```

1 struct kref {
2     atomic_t refcount;
3 };
4
5 void kref_init(struct kref *kref)
6 {
7     atomic_set(&kref->refcount, 1);
8 }
9
10 void kref_get(struct kref *kref)
11 {
12     WARN_ON(!atomic_read(&kref->refcount));
13     atomic_inc(&kref->refcount);
14 }
15
16 static inline int
17 kref_sub(struct kref *kref, unsigned int count,
18         void (*release)(struct kref *kref))
19 {
20     WARN_ON(release == NULL);
21
22     if (atomic_sub_and_test((int) count,
23                             &kref->refcount)) {
24         release(kref);
25         return 1;
26     }
27     return 0;
28 }

```

Figure 9.2: Linux Kernel kref API

The `kref` structure itself, consisting of a single atomic data item, is shown in lines 1-3 of Figure 9.2. The `kref_init()` function on lines 5-8 initializes the counter to the value “1”. Note that the `atomic_set()` primitive is a simple assignment, the name stems from the data type of `atomic_t` rather than from the operation. The `kref_init()` function must be invoked during object creation, before the object has been made available to any other CPU.

The `kref_get()` function on lines 10-14 unconditionally atomically increments the counter. The `atomic_inc()` primitive does not necessarily explicitly disable compiler optimizations on all platforms, but the fact that the `kref` primitives are in a separate module and that the Linux kernel build process does no cross-module optimizations has the same effect.

The `kref_put()` function on lines 16-28 atomically decrements the counter, and if the result is zero, line 24 invokes the specified `release()` function and line 24 returns, informing the caller that `release()` was invoked. Otherwise, `kref_put()`

returns zero, informing the caller that `release()` was not called.

**Quick Quiz 9.3:** Suppose that just after the `atomic_sub_and_test()` on line 22 of Figure 9.2 is invoked, that some other CPU invokes `kref_get()`. Doesn't this result in that other CPU now having an illegal reference to a released object? ■

**Quick Quiz 9.4:** Suppose that `kref_sub()` returns zero, indicating that the `release()` function was not invoked. Under what conditions can the caller rely on the continued existence of the enclosing object? ■

### 9.1.1.3 Atomic Counting With Release Memory Barrier

This style of reference is used in the Linux kernel's networking layer to track the destination caches that are used in packet routing. The actual implementation is quite a bit more involved; this section focuses on the aspects of `struct dst_entry` reference-count handling that matches this use case, shown in Figure 9.3.

```
1 static inline
2 struct dst_entry * dst_clone(struct dst_entry * dst)
3 {
4     if (dst)
5         atomic_inc(&dst->__refcnt);
6     return dst;
7 }
8
9 static inline
10 void dst_release(struct dst_entry * dst)
11 {
12     if (dst) {
13         WARN_ON(atomic_read(&dst->__refcnt) < 1);
14         smp_mb__before_atomic_dec();
15         atomic_dec(&dst->__refcnt);
16     }
17 }
```

Figure 9.3: Linux Kernel `dst_clone` API

The `dst_clone()` primitive may be used if the caller already has a reference to the specified `dst_entry`, in which case it obtains another reference that may be handed off to some other entity within the kernel. Because a reference is already held by the caller, `dst_clone()` need not execute any memory barriers. The act of handing the `dst_entry` to some other entity might or might not require a memory barrier, but if such a memory barrier is required, it will be embedded in the mechanism used to hand the `dst_entry` off.

The `dst_release()` primitive may be invoked from any environment, and the caller might well reference elements of the `dst_entry` structure immediately prior to the call to `dst_release()`. The `dst_release()` primitive therefore contains a memory barrier on line 14 preventing both the compiler and the CPU from misordering accesses.

Please note that the programmer making use of `dst_clone()` and `dst_release()` need not be aware of the memory barriers, only of the rules for using these two primitives.

### 9.1.1.4 Atomic Counting With Check and Release Memory Barrier

Consider a situation where the caller must be able to acquire a new reference to an object to which it does not already hold a reference. The fact that initial reference-

count acquisition can now run concurrently with reference-count release adds further complications. Suppose that a reference-count release finds that the new value of the reference count is zero, signalling that it is now safe to clean up the reference-counted object. We clearly cannot allow a reference-count acquisition to start after such clean-up has commenced, so the acquisition must include a check for a zero reference count. This check must be part of the atomic increment operation, as shown below.

**Quick Quiz 9.5:** Why can't the check for a zero reference count be made in a simple "if" statement with an atomic increment in its "then" clause? ■

The Linux kernel's `fget()` and `fput()` primitives use this style of reference counting. Simplified versions of these functions are shown in Figure 9.4.

```

1 struct file *fget(unsigned int fd)
2 {
3     struct file *file;
4     struct files_struct *files = current->files;
5
6     rcu_read_lock();
7     file = fcheck_files(files, fd);
8     if (file) {
9         if (!atomic_inc_not_zero(&file->f_count)) {
10            rcu_read_unlock();
11            return NULL;
12        }
13    }
14    rcu_read_unlock();
15    return file;
16 }
17
18 struct file *
19 fcheck_files(struct files_struct *files, unsigned int fd)
20 {
21     struct file * file = NULL;
22     struct fdtable *fdt = rcu_dereference((files)->fdt);
23
24     if (fd < fdt->max_fds)
25         file = rcu_dereference(fdt->fd[fd]);
26     return file;
27 }
28
29 void fput(struct file *file)
30 {
31     if (atomic_dec_and_test(&file->f_count))
32         call_rcu(&file->f_u.fu_rcuhead, file_free_rcu);
33 }
34
35 static void file_free_rcu(struct rcu_head *head)
36 {
37     struct file *f;
38
39     f = container_of(head, struct file, f_u.fu_rcuhead);
40     kmem_cache_free(filp_cachep, f);
41 }

```

Figure 9.4: Linux Kernel `fget/fput` API

Line 4 of `fget()` fetches the pointer to the current process's file-descriptor table, which might well be shared with other processes. Line 6 invokes `rcu_read_lock()`, which enters an RCU read-side critical section. The callback function from any subsequent `call_rcu()` primitive will be deferred until a matching `rcu_read_unlock()` is reached (line 10 or 14 in this example). Line 7 looks up the file structure corresponding to the file descriptor specified by the `fd` argument, as will be described later. If there is an open file corresponding to the specified file descriptor, then line 9 attempts to atomically acquire a reference count. If it fails to do so, lines 10-11 exit the

RCU read-side critical section and report failure. Otherwise, if the attempt is successful, lines 14-15 exit the read-side critical section and return a pointer to the file structure.

The `fcheck_files()` primitive is a helper function for `fget()`. It uses the `rcu_dereference()` primitive to safely fetch an RCU-protected pointer for later dereferencing (this emits a memory barrier on CPUs such as DEC Alpha in which data dependencies do not enforce memory ordering). Line 22 uses `rcu_dereference()` to fetch a pointer to this task's current file-descriptor table, and line 24 checks to see if the specified file descriptor is in range. If so, line 25 fetches the pointer to the file structure, again using the `rcu_dereference()` primitive. Line 26 then returns a pointer to the file structure or `NULL` in case of failure.

The `fput()` primitive releases a reference to a file structure. Line 31 atomically decrements the reference count, and, if the result was zero, line 32 invokes the `call_rcu()` primitives in order to free up the file structure (via the `file_free_rcu()` function specified in `call_rcu()`'s second argument), but only after all currently-executing RCU read-side critical sections complete. The time period required for all currently-executing RCU read-side critical sections to complete is termed a "grace period". Note that the `atomic_dec_and_test()` primitive contains a memory barrier. This memory barrier is not necessary in this example, since the structure cannot be destroyed until the RCU read-side critical section completes, but in Linux, all atomic operations that return a result must by definition contain memory barriers.

Once the grace period completes, the `file_free_rcu()` function obtains a pointer to the file structure on line 39, and frees it on line 40.

This approach is also used by Linux's virtual-memory system, see `get_page_unless_zero()` and `put_page_testzero()` for page structures as well as `try_to_unuse()` and `mmapput()` for memory-map structures.

## 9.1.2 Hazard Pointers

All of the reference-counting mechanisms discussed in the previous section require some other mechanism to prevent the data element from being deleted while the reference count is being acquired. This other mechanism might be a pre-existing reference held on that data element, locking, RCU, or atomic operations, but all of them either degrade performance and scalability or restrict use cases.

One way of avoiding these problems is to implement the reference counters inside out, that is, rather than incrementing an integer stored in the data element, instead store a pointer to that data element in per-CPU (or per-thread) lists. Each element of these lists is called a *hazard pointer* [Mic04].<sup>1</sup> The value of a given data element's "virtual reference counter" can then be obtained by counting the number of hazard pointers referencing that element. Therefore, if that element has been rendered inaccessible to readers, and there are no longer any hazard pointers referencing it, that element may safely be freed.

Of course, this means that hazard-pointer acquisition must be carried out quite carefully in order to avoid destructive races with concurrent deletion. One implementation is shown in Figure 9.5, which shows `hp_store()` on lines 1-13 and `hp_erase()` on lines 15-20. The `smp_mb()` primitive will be described in detail in Section 14.2, but may be ignored for the purposes of this brief overview.

The `hp_store()` function records a hazard pointer at `hp` for the data element whose pointer is referenced by `p`, while checking for concurrent modifications. If a

---

<sup>1</sup> Also independently invented by others [HLM02].

```

1 int hp_store(void **p, void **hp)
2 {
3     void *tmp;
4
5     tmp = ACCESS_ONCE(*p);
6     ACCESS_ONCE(*hp) = tmp;
7     smp_mb();
8     if (tmp != ACCESS_ONCE(*p) ||
9         tmp == HAZPTR_POISON) {
10        ACCESS_ONCE(*hp) = NULL;
11        return 0;
12    }
13    return 1;
14 }
15
16 void hp_erase(void **hp)
17 {
18     smp_mb();
19     ACCESS_ONCE(*hp) = NULL;
20     hp_free(hp);
21 }

```

Figure 9.5: Hazard-Pointer Storage and Erasure

concurrent modification occurred, `hp_store()` refuses to record a hazard pointer, and returns zero to indicate that the caller must restart its traversal from the beginning. Otherwise, `hp_store()` returns one to indicate that it successfully recorded a hazard pointer for the data element.

**Quick Quiz 9.6:** Why does `hp_store()` in Figure 9.5 take a double indirection to the data element? Why not `void *` instead of `void **`? ■

**Quick Quiz 9.7:** Why does `hp_store()`'s caller need to restart its traversal from the beginning in case of failure? Isn't that inefficient for large data structures? ■

**Quick Quiz 9.8:** Given that papers on hazard pointers use the bottom bits of each pointer to mark deleted elements, what is up with `HAZPTR_POISON`? ■

Because algorithms using hazard pointers might be restarted at any step of their traversal through the data structure, such algorithms must typically take care to avoid making any changes to the data structure until after they have acquired all relevant hazard pointers.

**Quick Quiz 9.9:** But don't these restrictions on hazard pointers also apply to other forms of reference counting? ■

In exchange for these restrictions, hazard pointers offer excellent performance and scalability for readers. Performance comparisons with other mechanisms may be found in Chapter 10 and in other publications [HMBW07, McK13, Mic04].

### 9.1.3 Linux Primitives Supporting Reference Counting

The Linux-kernel primitives used in the above examples are summarized in the following list.

- `atomic_t` Type definition for 32-bit quantity to be manipulated atomically.
- `void atomic_dec(atomic_t *var);` Atomically decrements the referenced variable without necessarily issuing a memory barrier or disabling compiler optimizations.
- `int atomic_dec_and_test(atomic_t *var);` Atomically decrements the referenced variable, returning `true` (non-zero) if the result is zero. Issues a

memory barrier and disables compiler optimizations that might otherwise move memory references across this primitive.

- `void atomic_inc(atomic_t *var);` Atomically increments the referenced variable without necessarily issuing a memory barrier or disabling compiler optimizations.
- `int atomic_inc_not_zero(atomic_t *var);` Atomically increments the referenced variable, but only if the value is non-zero, and returning `true` (non-zero) if the increment occurred. Issues a memory barrier and disables compiler optimizations that might otherwise move memory references across this primitive.
- `int atomic_read(atomic_t *var);` Returns the integer value of the referenced variable. This is not an atomic operation, and it does not issue any memory-barrier instructions. Instead of thinking of as “an atomic read,” think of it as “a normal read from an atomic variable.”
- `void atomic_set(atomic_t *var, int val);` Sets the value of the referenced atomic variable to “val”. This is not an atomic operation, and it neither issues memory barriers nor disables compiler optimizations. Instead of thinking of as “an atomic set,” think of it as “a normal set of an atomic variable.”
- `void call_rcu(struct rcu_head *head, void (*func)(struct rcu_head *head));` Invokes `func(head)` some time after all currently executing RCU read-side critical sections complete, however, the `call_rcu()` primitive returns immediately. Note that `head` is normally a field within an RCU-protected data structure, and that `func` is normally a function that frees up this data structure. The time interval between the invocation of `call_rcu()` and the invocation of `func` is termed a “grace period”. Any interval of time containing a grace period is itself a grace period.
- `type *container_of(p, type, f);` Given a pointer `p` to a field `f` within a structure of the specified type, return a pointer to the structure.
- `void rcu_read_lock(void);` Marks the beginning of an RCU read-side critical section.
- `void rcu_read_unlock(void);` Marks the end of an RCU read-side critical section. RCU read-side critical sections may be nested.
- `void smp_mb__before_atomic_dec(void);` Issues a memory barrier and disables code-motion compiler optimizations only if the platform’s `atomic_dec()` primitive does not already do so.
- `struct rcu_head` A data structure used by the RCU infrastructure to track objects awaiting a grace period. This is normally included as a field within an RCU-protected data structure.

**Quick Quiz 9.10:** An `atomic_read()` and an `atomic_set()` that are non-atomic? Is this some kind of bad joke??? ■

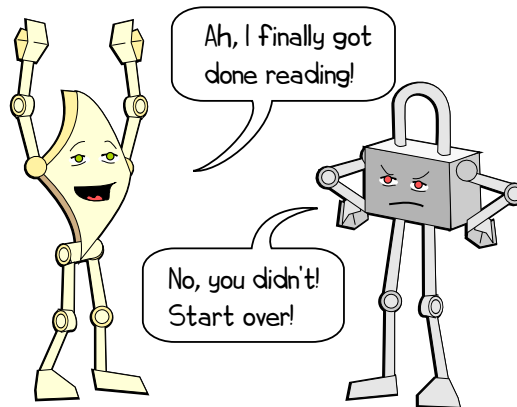


Figure 9.6: Reader And Uncooperative Sequence Lock

### 9.1.4 Counter Optimizations

In some cases where increments and decrements are common, but checks for zero are rare, it makes sense to maintain per-CPU or per-task counters, as was discussed in Chapter 5. See Appendix D.1 for an example of this technique applied to RCU. This approach eliminates the need for atomic instructions or memory barriers on the increment and decrement primitives, but still requires that code-motion compiler optimizations be disabled. In addition, the primitives such as `synchronize_srcu()` that check for the aggregate reference count reaching zero can be quite slow. This underscores the fact that these techniques are designed for situations where the references are frequently acquired and released, but where it is rarely necessary to check for a zero reference count.

However, it is usually the case that use of reference counts requires writing (often atomically) to a data structure that is otherwise read only. In this case, reference counts are imposing expensive cache misses on readers.

**Quick Quiz 9.11:** But hazard pointers don't write to the data structure! ■

It is therefore worthwhile to look into synchronization mechanisms that do not require readers to do writes at all. One such synchronization mechanism, sequence locks, is covered in the next section.

## 9.2 Sequence Locks

Sequence locks are used in the Linux kernel for read-mostly data that must be seen in a consistent state by readers. However, unlike reader-writer locking, readers do not exclude writers. Instead, like hazard pointers, sequence locks force readers to *retry* an operation if they detect activity from a concurrent writer. As can be seen from Figure 9.6, it is important to design code using sequence locks so that readers very rarely need to retry.

**Quick Quiz 9.12:** Why isn't this sequence-lock discussion in Chapter 7, you know, the one on *locking*? ■



The key component of sequence locking is the sequence number, which has an even value in the absence of writers and an odd value if there is an update in progress. Readers can then snapshot the value before and after each access. If either snapshot has an odd value, or if the two snapshots differ, there has been a concurrent update, and the reader must discard the results of the access and then retry it. Readers use the `read_seqbegin()` and `read_seqretry()` functions, as shown in Figure 9.7, when accessing data protected by a sequence lock. Writers must increment the value before and after each update, and only one writer is permitted at a given time. Writers use the `write_seqlock()` and `write_sequnlock()` functions, as shown in Figure 9.8, when updating data protected by a sequence lock.

Sequence-lock-protected data can have an arbitrarily large number of concurrent readers, but only one writer at a time. Sequence locking is used in the Linux kernel to protect calibration quantities used for timekeeping. It is also used in pathname traversal to detect concurrent rename operations.

**Quick Quiz 9.13:** Can you use sequence locks as the only synchronization mechanism protecting a linked list supporting concurrent addition, deletion, and search? ■

A simple implementation of sequence locks is shown in Figure 9.9 (`seqlock.h`). The `seqlock_t` data structure is shown on lines 1-4, and contains the sequence number along with a lock to serialize writers. Lines 6-10 show `seqlock_init()`, which, as the name indicates, initializes a `seqlock_t`.

Lines 12-22 show `read_seqbegin()`, which begins a sequence-lock read-side critical section. Line 17 takes a snapshot of the sequence counter, and line 18 orders this snapshot operation before the caller's critical section. Line 19 checks to see if the snapshot is odd, indicating that there is a concurrent writer, and, if so, line 20 jumps back to the beginning. Otherwise, line 21 returns the value of the snapshot, which the caller will pass to a later call to `read_seqretry()`.

**Quick Quiz 9.14:** Why bother with the check on line 19 of `read_seqbegin()` in Figure 9.9? Given that a new writer could begin at any time, why not simply incorporate the check into line 31 of `read_seqretry()`? ■

Lines 24-32 show `read_seqretry()`, which returns true if there were no writers present since the time of the corresponding call to `read_seqbegin()`. Line 29 orders the caller's prior critical section before line 30's fetch of the new snapshot of the sequence counter. Finally, line 30 checks that the sequence counter has not changed, in other words, that there has been no writer, and returns true if so.

**Quick Quiz 9.15:** Why is the `smp_mb()` on line 29 of Figure 9.9 needed? ■

**Quick Quiz 9.16:** Can't weaker memory barriers be used in the code in Figure 9.9?

```
1 do {
2   seq = read_seqbegin(&test_seqlock);
3   /* read-side access. */
4 } while (read_seqretry(&test_seqlock, seq));
```

Figure 9.7: Sequence-Locking Reader

```
1 write_seqlock(&test_seqlock);
2 /* Update */
3 write_sequnlock(&test_seqlock);
```

Figure 9.8: Sequence-Locking Writer

```

1 typedef struct {
2     unsigned long seq;
3     spinlock_t lock;
4 } seqlock_t;
5
6 static void seqlock_init(seqlock_t *slp)
7 {
8     slp->seq = 0;
9     spin_lock_init(&slp->lock);
10 }
11
12 static unsigned long read_seqbegin(seqlock_t *slp)
13 {
14     unsigned long s;
15
16 repeat:
17     s = ACCESS_ONCE(slp->seq);
18     smp_mb();
19     if (unlikely(s & 1))
20         goto repeat;
21     return s;
22 }
23
24 static int read_seqretry(seqlock_t *slp,
25                          unsigned long oldseq)
26 {
27     unsigned long s;
28
29     smp_mb();
30     s = ACCESS_ONCE(slp->seq);
31     return s != oldseq;
32 }
33
34 static void write_seqlock(seqlock_t *slp)
35 {
36     spin_lock(&slp->lock);
37     ++slp->seq;
38     smp_mb();
39 }
40
41 static void write_sequnlock(seqlock_t *slp)
42 {
43     smp_mb();
44     ++slp->seq;
45     spin_unlock(&slp->lock);
46 }

```

Figure 9.9: Sequence-Locking Implementation

■ **Quick Quiz 9.17:** What prevents sequence-locking updaters from starving readers?

■ Lines 34-39 show `write_seqlock()`, which simply acquires the lock, increments the sequence number, and executes a memory barrier to ensure that this increment is ordered before the caller's critical section. Lines 41-46 show `write_sequnlock()`, which executes a memory barrier to ensure that the caller's critical section is ordered before the increment of the sequence number on line 44, then releases the lock.

■ **Quick Quiz 9.18:** What if something else serializes writers, so that the lock is not needed? ■

■ **Quick Quiz 9.19:** Why isn't `seq` on line 2 of Figure 9.9 `unsigned` rather than `unsigned long`? After all, if `unsigned` is good enough for the Linux kernel, shouldn't it be good enough for everyone? ■

Both the read-side and write-side critical sections of a sequence lock can be thought of as transactions, and sequence locking therefore can be thought of as a limited form of transactional memory, which will be discussed in Section 16.2. The limitations of sequence locking are: (1) Sequence locking restricts updates and (2) sequence locking does not permit traversal of pointers to objects that might be freed by updaters. These limitations are of course overcome by transactional memory, but can also be overcome by combining other synchronization primitives with sequence locking.

Sequence locks allow writers to defer readers, but not vice versa. This can result in unfairness and even starvation in writer-heavy workloads. On the other hand, in the absence of writers, sequence-lock readers are reasonably fast and scale linearly. It is only human to want the best of both worlds: fast readers without the possibility of read-side failure, let alone starvation. In addition, it would also be nice to overcome sequence locking's limitations with pointers. The following section presents a synchronization mechanism with exactly these properties.

## 9.3 Read-Copy Update (RCU)

This section covers RCU from a number of different perspectives. Section 9.3.1 provides the classic introduction to RCU, Section 9.3.2 covers fundamental RCU concepts, Section 9.3.3 introduces some common uses of RCU, Section 9.3.4 presents the Linux-kernel API, Section 9.3.5 covers a sequence of "toy" implementations of user-level RCU, and finally Section 9.3.6 provides some RCU exercises.

### 9.3.1 Introduction to RCU

Suppose that you are writing a parallel real-time program that needs to access data that is subject to gradual change, perhaps due to changes in temperature, humidity, and barometric pressure. The real-time response constraints on this program are so severe that it is not permissible to spin or block, thus ruling out locking, nor is it permissible to use a retry loop, thus ruling out sequence locks. Fortunately, the temperature and pressure are normally controlled, so that a default hard-coded set of data is usually sufficient.

However, the temperature, humidity, and pressure occasionally deviate too far from the defaults, and in such situations it is necessary to provide data that replaces the defaults. Because the temperature, humidity, and pressure change gradually, providing

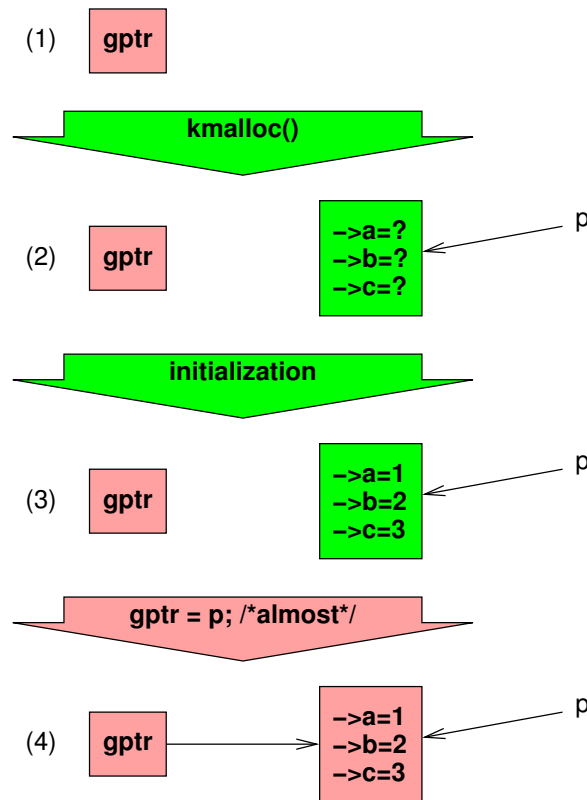


Figure 9.10: Insertion With Concurrent Readers

the updated values is not a matter of urgency, though it must happen within a few minutes. The program is to use a global pointer imaginatively named `gptr` that is normally `NULL`, which indicates that the default values are to be used. Otherwise, `gptr` points to a structure providing values imaginatively named `a`, `b`, and `c` that are to be used in the real-time calculations.

How can we safely provide updated values when needed without impeding real-time readers?

A classic approach is shown in Figure 9.10. The first row shows the default state, with `gptr` equal to `NULL`. In the second row, we have allocated a structure which is uninitialized, as indicated by the question marks. In the third row, we have initialized the structure. Next, we assign `gptr` to reference this new element.<sup>2</sup> On modern general-purpose systems, this assignment is atomic in the sense that concurrent readers will see either a `NULL` pointer or a pointer to the new structure `p`, but not some mash-up containing bits from both values. Each reader is therefore guaranteed to either get the default value of `NULL` or to get the newly installed non-default values, but either way each reader will see a consistent result. Even better, readers need not use any expensive synchronization primitives, so this approach is quite suitable for real-time use.<sup>3</sup>

<sup>2</sup> On many computer systems, simple assignment is insufficient due to interference from both the compiler and the CPU. These issues will be covered in Section 9.3.2.

<sup>3</sup> Again, on many computer systems, additional work is required to prevent interference from the compiler,

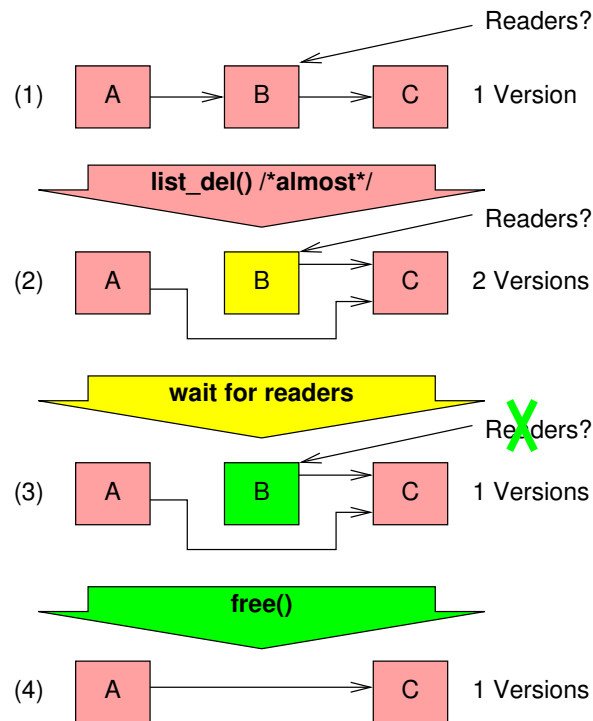


Figure 9.11: Deletion From Linked List With Concurrent Readers

But sooner or later, it will be necessary to remove data that is being referenced by concurrent readers. Let us move to a more complex example where we are removing an element from a linked list, as shown in Figure 9.11. This list initially contains elements A, B, and C, and we need to remove element B. First, we use `list_del()` to carry out the removal,<sup>4</sup> at which point all new readers will see element B as having been deleted from the list. However, there might be old readers still referencing this element. Once all these old readers have finished, we can safely free element B, resulting in the situation shown at the bottom of the figure.

But how can we tell when the readers are finished?

It is tempting to consider a reference-counting scheme, but Figure 5.3 in Chapter 5 shows that this can also result in long delays, just as can the locking and sequence-locking approaches that we already rejected.

Let's consider the logical extreme where the readers do absolutely nothing to announce their presence. This approach clearly allows optimal performance for readers (after all, free is a very good price), but leaves open the question of how the updater can possibly determine when all the old readers are done. We clearly need some additional constraints if we are to provide a reasonable answer to this question.

One constraint that fits well with some types of real-time operating systems (as well as some operating-system kernels) is to consider the case where threads are not subject to preemption. In such non-preemptible environments, each thread runs until it

and, on DEC Alpha systems, the CPU as well. This will be covered in Section 9.3.2.

<sup>4</sup> And yet again, this approximates reality, which will be expanded on in Section 9.3.2.

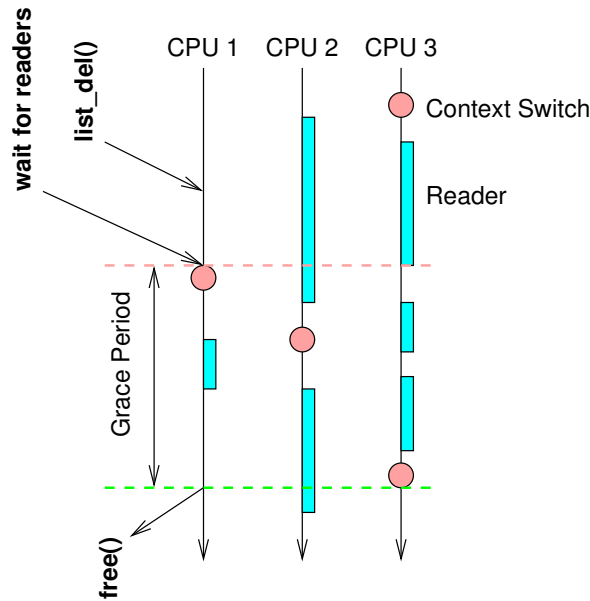


Figure 9.12: Waiting for Pre-Existing Readers

explicitly and voluntarily blocks. This means that an infinite loop without blocking will render a CPU useless for any other purpose from the start of the infinite loop onwards.<sup>5</sup> Non-preemptibility also requires that threads be prohibited from blocking while holding spinlocks. Without this prohibition, all CPUs might be consumed by threads spinning attempting to acquire a spinlock held by a blocked thread. The spinning threads will not relinquish their CPUs until they acquire the lock, but the thread holding the lock cannot possibly release it until one of the spinning threads relinquishes a CPU. This is a classic deadlock situation.

Let us impose this same constraint on reader threads traversing the linked list: such threads are not allowed to block until after completing their traversal. Returning to the second row of Figure 9.11, where the updater has just completed executing `list_del()`, imagine that CPU 0 executes a context switch. Because readers are not permitted to block while traversing the linked list, we are guaranteed that all prior readers that might have been running on CPU 0 will have completed. Extending this line of reasoning to the other CPUs, once each CPU has been observed executing a context switch, we are guaranteed that all prior readers have completed, and that there are no longer any reader threads referencing element B. The updater can then safely free element B, resulting in the state shown at the bottom of Figure 9.11.

A schematic of this approach is shown in Figure 9.12, with time advancing from the top of the figure to the bottom.

Although production-quality implementations of this approach can be quite complex, a toy implementation is exceedingly simple:

```

1 for_each_online_cpu(cpu)
2   run_on(cpu);

```

<sup>5</sup> In contrast, an infinite loop in a preemptible environment might be preempted. This infinite loop might still waste considerable CPU time, but the CPU in question would nevertheless be able to do other work.

The `for_each_online_cpu()` primitive iterates over all CPUs, and the `run_on()` function causes the current thread to execute on the specified CPU, which forces the destination CPU to execute a context switch. Therefore, once the `for_each_online_cpu()` has completed, each CPU has executed a context switch, which in turn guarantees that all pre-existing reader threads have completed.

Please note that this approach is *not* production quality. Correct handling of a number of corner cases and the need for a number of powerful optimizations mean that production-quality implementations have significant additional complexity. In addition, RCU implementations for preemptible environments require that readers actually do something. However, this simple non-preemptible approach is conceptually complete, and forms a good initial basis for understanding the RCU fundamentals covered in the following section.

## 9.3.2 RCU Fundamentals

Authors: Paul E. McKenney and Jonathan Walpole

Read-copy update (RCU) is a synchronization mechanism that was added to the Linux kernel in October of 2002. RCU achieves scalability improvements by allowing reads to occur concurrently with updates. In contrast with conventional locking primitives that ensure mutual exclusion among concurrent threads regardless of whether they be readers or updaters, or with reader-writer locks that allow concurrent reads but not in the presence of updates, RCU supports concurrency between a single updater and multiple readers. RCU ensures that reads are coherent by maintaining multiple versions of objects and ensuring that they are not freed up until all pre-existing read-side critical sections complete. RCU defines and uses efficient and scalable mechanisms for publishing and reading new versions of an object, and also for deferring the collection of old versions. These mechanisms distribute the work among read and update paths in such a way as to make read paths extremely fast. In some cases (non-preemptible kernels), RCU's read-side primitives have zero overhead.

**Quick Quiz 9.20:** But doesn't Section 9.2's `seqlock` also permit readers and updaters to get work done concurrently? ■

This leads to the question "what exactly is RCU?", and perhaps also to the question "how can RCU *possibly* work?" (or, not infrequently, the assertion that RCU cannot possibly work). This document addresses these questions from a fundamental viewpoint; later installments look at them from usage and from API viewpoints. This last installment also includes a list of references.

RCU is made up of three fundamental mechanisms, the first being used for insertion, the second being used for deletion, and the third being used to allow readers to tolerate concurrent insertions and deletions. Section 9.3.2.1 describes the publish-subscribe mechanism used for insertion, Section 9.3.2.2 describes how waiting for pre-existing RCU readers enabled deletion, and Section 9.3.2.3 discusses how maintaining multiple versions of recently updated objects permits concurrent insertions and deletions. Finally, Section 9.3.2.4 summarizes RCU fundamentals.

### 9.3.2.1 Publish-Subscribe Mechanism

One key attribute of RCU is the ability to safely scan data, even though that data is being modified concurrently. To provide this ability for concurrent insertion, RCU uses what can be thought of as a publish-subscribe mechanism. For example, consider an initially `NULL` global pointer `gp` that is to be modified to point to a newly allocated and

```

1 struct foo {
2     int a;
3     int b;
4     int c;
5 };
6 struct foo *gp = NULL;
7
8 /* . . . */
9
10 p = kmalloc(sizeof(*p), GFP_KERNEL);
11 p->a = 1;
12 p->b = 2;
13 p->c = 3;
14 gp = p;

```

Figure 9.13: Data Structure Publication (Unsafe)

initialized data structure. The code fragment shown in Figure 9.13 (with the addition of appropriate locking) might be used for this purpose.

Unfortunately, there is nothing forcing the compiler and CPU to execute the last four assignment statements in order. If the assignment to `gp` happens before the initialization of `p` fields, then concurrent readers could see the uninitialized values. Memory barriers are required to keep things ordered, but memory barriers are notoriously difficult to use. We therefore encapsulate them into a primitive `rcu_assign_pointer()` that has publication semantics. The last four lines would then be as follows:

```

1 p->a = 1;
2 p->b = 2;
3 p->c = 3;
4 rcu_assign_pointer(gp, p);

```

The `rcu_assign_pointer()` would *publish* the new structure, forcing both the compiler and the CPU to execute the assignment to `gp` *after* the assignments to the fields referenced by `p`.

However, it is not sufficient to only enforce ordering at the updater, as the reader must enforce proper ordering as well. Consider for example the following code fragment:

```

1 p = gp;
2 if (p != NULL) {
3     do_something_with(p->a, p->b, p->c);
4 }

```

Although this code fragment might well seem immune to misordering, unfortunately, the DEC Alpha CPU [McK05a, McK05b] and value-speculation compiler optimizations can, believe it or not, cause the values of `p->a`, `p->b`, and `p->c` to be fetched before the value of `p`. This is perhaps easiest to see in the case of value-speculation compiler optimizations, where the compiler guesses the value of `p` fetches `p->a`, `p->b`, and `p->c` then fetches the actual value of `p` in order to check whether its guess was correct. This sort of optimization is quite aggressive, perhaps insanely so, but does actually occur in the context of profile-driven optimization.

Clearly, we need to prevent this sort of skullduggery on the part of both the compiler and the CPU. The `rcu_dereference()` primitive uses whatever memory-barrier instructions and compiler directives are required for this purpose:<sup>6</sup>

<sup>6</sup> In the Linux kernel, `rcu_dereference()` is implemented via a volatile cast, and, on DEC Alpha, a memory barrier instruction. In the C11 and C++11 standards, `memory_order_consume` is intended to provide longer-term support for `rcu_dereference()`, but no compilers implement this natively yet. (They instead strengthen `memory_order_consume` to `memory_order_acquire`, thus emitting a



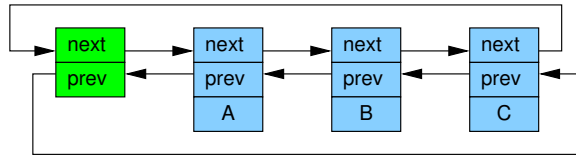


Figure 9.14: Linux Circular Linked List

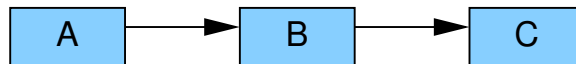


Figure 9.15: Linux Linked List Abbreviated

```

1 rcu_read_lock();
2 p = rcu_dereference(gp);
3 if (p != NULL) {
4   do_something_with(p->a, p->b, p->c);
5 }
6 rcu_read_unlock();

```

The `rcu_dereference()` primitive can thus be thought of as *subscribing* to a given value of the specified pointer, guaranteeing that subsequent dereference operations will see any initialization that occurred before the corresponding `rcu_assign_pointer()` operation that published that pointer. The `rcu_read_lock()` and `rcu_read_unlock()` calls are absolutely required: they define the extent of the RCU read-side critical section. Their purpose is explained in Section 9.3.2.2, however, they never spin or block, nor do they prevent the `list_add_rcu()` from executing concurrently. In fact, in non-`CONFIG_PREEMPT` kernels, they generate absolutely no code.

Although `rcu_assign_pointer()` and `rcu_dereference()` can in theory be used to construct any conceivable RCU-protected data structure, in practice it is often better to use higher-level constructs. Therefore, the `rcu_assign_pointer()` and `rcu_dereference()` primitives have been embedded in special RCU variants of Linux's list-manipulation API. Linux has two variants of doubly linked list, the circular struct `list_head` and the linear struct `hlist_head/struct hlist_node` pair. The former is laid out as shown in Figure 9.14, where the green (leftmost) boxes represent the list header and the blue (rightmost three) boxes represent the elements in the list. This notation is cumbersome, and will therefore be abbreviated as shown in Figure 9.15, which shows only the non-header (blue) elements.

Adapting the pointer-publish example for the linked list results in the code shown in Figure 9.16.

Line 15 must be protected by some synchronization mechanism (most commonly some sort of lock) to prevent multiple `list_add_rcu()` instances from executing concurrently. However, such synchronization does not prevent this `list_add()` instance from executing concurrently with RCU readers.

Subscribing to an RCU-protected list is straightforward:

---

needless memory-barrier instruction on weakly ordered systems.)

```

1 struct foo {
2     struct list_head *list;
3     int a;
4     int b;
5     int c;
6 };
7 LIST_HEAD(head);
8
9 /* . . . */
10
11 p = kmalloc(sizeof(*p), GFP_KERNEL);
12 p->a = 1;
13 p->b = 2;
14 p->c = 3;
15 list_add_rcu(&p->list, &head);

```

Figure 9.16: RCU Data Structure Publication

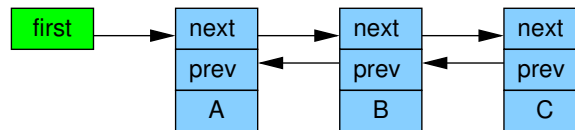


Figure 9.17: Linux Linear Linked List

```

1 rcu_read_lock();
2 list_for_each_entry_rcu(p, head, list) {
3     do_something_with(p->a, p->b, p->c);
4 }
5 rcu_read_unlock();

```

The `list_add_rcu()` primitive publishes an entry, inserting it at the head of the specified list, guaranteeing that the corresponding `list_for_each_entry_rcu()` invocation will properly subscribe to this same entry.

**Quick Quiz 9.21:** What prevents the `list_for_each_entry_rcu()` from getting a segfault if it happens to execute at exactly the same time as the `list_add_rcu()`? ■

Linux's other doubly linked list, the `hlist`, is a linear list, which means that it needs only one pointer for the header rather than the two required for the circular list, as shown in Figure 9.17. Thus, use of `hlist` can halve the memory consumption for the hash-bucket arrays of large hash tables. As before, this notation is cumbersome, so `hlists` will be abbreviated in the same way lists are, as shown in Figure 9.15.

Publishing a new element to an RCU-protected `hlist` is quite similar to doing so for the circular list, as shown in Figure 9.18.

As before, line 15 must be protected by some sort of synchronization mechanism, for example, a lock.

Subscribing to an RCU-protected `hlist` is also similar to the circular list:

```

1 rcu_read_lock();
2 hlist_for_each_entry_rcu(p, q, head, list) {
3     do_something_with(p->a, p->b, p->c);
4 }
5 rcu_read_unlock();

```

**Quick Quiz 9.22:** Why do we need to pass two pointers into `hlist_for_each_entry_rcu()` when only one is needed for `list_for_each_entry_rcu()`? ■

```

1 struct foo {
2     struct hlist_node *list;
3     int a;
4     int b;
5     int c;
6 };
7 HLIST_HEAD(head);
8
9 /* . . . */
10
11 p = kmalloc(sizeof(*p), GFP_KERNEL);
12 p->a = 1;
13 p->b = 2;
14 p->c = 3;
15 hlist_add_head_rcu(&p->list, &head);

```

Figure 9.18: RCU hlist Publication

Category	Publish	Retract	Subscribe
Pointers	rcu_assign_pointer() list_add_rcu()	rcu_assign_pointer(..., NULL)	rcu_dereference()
Lists	list_add_tail_rcu() list_replace_rcu()	list_del_rcu()	list_for_each_entry_rcu()
Hlists	hlist_add_after_rcu() hlist_add_before_rcu() hlist_add_head_rcu() hlist_replace_rcu()	hlist_del_rcu()	hlist_for_each_entry_rcu()

Table 9.2: RCU Publish and Subscribe Primitives

The set of RCU publish and subscribe primitives are shown in Table 9.2, along with additional primitives to “unpublish”, or retract.

Note that the `list_replace_rcu()`, `list_del_rcu()`, `hlist_replace_rcu()`, and `hlist_del_rcu()` APIs add a complication. When is it safe to free up the data element that was replaced or removed? In particular, how can we possibly know when all the readers have released their references to that data element?

These questions are addressed in the following section.

### 9.3.2.2 Wait For Pre-Existing RCU Readers to Complete

In its most basic form, RCU is a way of waiting for things to finish. Of course, there are a great many other ways of waiting for things to finish, including reference counts, reader-writer locks, events, and so on. The great advantage of RCU is that it can wait for each of (say) 20,000 different things without having to explicitly track each and every one of them, and without having to worry about the performance degradation, scalability limitations, complex deadlock scenarios, and memory-leak hazards that are inherent in schemes using explicit tracking.

In RCU’s case, the things waited on are called “RCU read-side critical sections”. An RCU read-side critical section starts with an `rcu_read_lock()` primitive, and ends with a corresponding `rcu_read_unlock()` primitive. RCU read-side critical sections can be nested, and may contain pretty much any code, as long as that code does not explicitly block or sleep (although a special form of RCU called SRCU [McK06b] does permit general sleeping in SRCU read-side critical sections). If you abide by these conventions, you can use RCU to wait for *any* desired piece of code to complete.

RCU accomplishes this feat by indirectly determining when these other things have finished [McK07g, McK07a], as is described in detail in Appendix D.

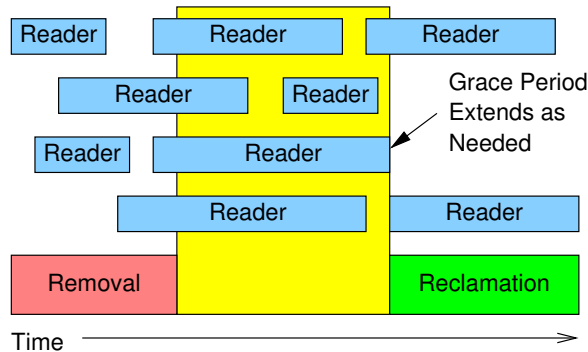


Figure 9.19: Readers and RCU Grace Period

```

1 struct foo {
2     struct list_head *list;
3     int a;
4     int b;
5     int c;
6 };
7 LIST_HEAD(head);
8
9 /* . . . */
10
11 p = search(head, key);
12 if (p == NULL) {
13     /* Take appropriate action, unlock, & return. */
14 }
15 q = kmalloc(sizeof(*p), GFP_KERNEL);
16 *q = *p;
17 q->b = 2;
18 q->c = 3;
19 list_replace_rcu(&p->list, &q->list);
20 synchronize_rcu();
21 kfree(p);

```

Figure 9.20: Canonical RCU Replacement Example

In particular, as shown in Figure 9.19, RCU is a way of waiting for pre-existing RCU read-side critical sections to completely finish, including memory operations executed by those critical sections. However, note that RCU read-side critical sections that begin after the beginning of a given grace period can and will extend beyond the end of that grace period.

The following pseudocode shows the basic form of algorithms that use RCU to wait for readers:

1. Make a change, for example, replace an element in a linked list.
2. Wait for all pre-existing RCU read-side critical sections to completely finish (for example, by using the `synchronize_rcu()` primitive). The key observation here is that subsequent RCU read-side critical sections have no way to gain a reference to the newly removed element.
3. Clean up, for example, free the element that was replaced above.

The code fragment shown in Figure 9.20, adapted from those in Section 9.3.2.1, demonstrates this process, with field `a` being the search key.

Lines 19, 20, and 21 implement the three steps called out above. Lines 16-19 gives RCU (“read-copy update”) its name: while permitting concurrent *reads*, line 16 *copies* and lines 17-19 do an *update*.

As discussed in Section 9.3.1, the `synchronize_rcu()` primitive can be quite simple (see Section 9.3.5 for additional “toy” RCU implementations). However, production-quality implementations must deal with difficult corner cases and also incorporate powerful optimizations, both of which result in significant complexity. Although it is good to know that there is a simple conceptual implementation of `synchronize_rcu()`, other questions remain. For example, what exactly do RCU readers see when traversing a concurrently updated list? This question is addressed in the following section.

### 9.3.2.3 Maintain Multiple Versions of Recently Updated Objects

This section demonstrates how RCU maintains multiple versions of lists to accommodate synchronization-free readers. Two examples are presented showing how an element that might be referenced by a given reader must remain intact while that reader remains in its RCU read-side critical section. The first example demonstrates deletion of a list element, and the second example demonstrates replacement of an element.

**Example 1: Maintaining Multiple Versions During Deletion** We can now revisit the deletion example from Section 9.3.1, but now with the benefit of a firm understanding of the fundamental concepts underlying RCU. To begin this new version of the deletion example, we will modify lines 11-21 in Figure 9.20 to read as follows:

```
1 p = search(head, key);
2 if (p != NULL) {
3     list_del_rcu(&p->list);
4     synchronize_rcu();
5     kfree(p);
6 }
```

This code will update the list as shown in Figure 9.21. The triples in each element represent the values of fields *a*, *b*, and *c*, respectively. The red-shaded elements indicate that RCU readers might be holding references to them, so in the initial state at the top of the diagram, all elements are shaded red. Please note that we have omitted the backwards pointers and the link from the tail of the list to the head for clarity.

After the `list_del_rcu()` on line 3 has completed, the 5, 6, 7 element has been removed from the list, as shown in the second row of Figure 9.21. Since readers do not synchronize directly with updaters, readers might be concurrently scanning this list. These concurrent readers might or might not see the newly removed element, depending on timing. However, readers that were delayed (e.g., due to interrupts, ECC memory errors, or, in `CONFIG_PREEMPT_RT` kernels, preemption) just after fetching a pointer to the newly removed element might see the old version of the list for quite some time after the removal. Therefore, we now have two versions of the list, one with element 5, 6, 7 and one without. The 5, 6, 7 element in the second row of the figure is now shaded yellow, indicating that old readers might still be referencing it, but that new readers cannot obtain a reference to it.

Please note that readers are not permitted to maintain references to element 5, 6, 7 after exiting from their RCU read-side critical sections. Therefore, once the `synchronize_rcu()` on line 4 completes, so that all pre-existing readers are guaranteed to have completed, there can be no more readers referencing this element, as indicated by its

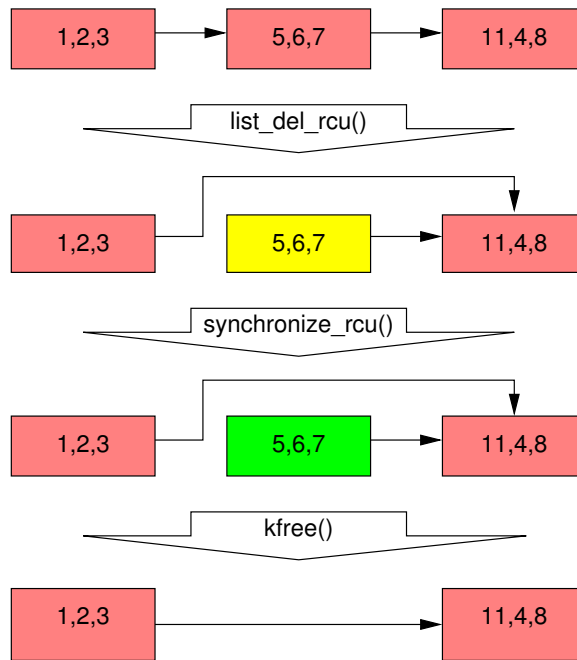


Figure 9.21: RCU Deletion From Linked List

green shading on the third row of Figure 9.21. We are thus back to a single version of the list.

At this point, the 5, 6, 7 element may safely be freed, as shown on the final row of Figure 9.21. At this point, we have completed the deletion of element 5, 6, 7. The following section covers replacement.

**Example 2: Maintaining Multiple Versions During Replacement** To start the replacement example, here are the last few lines of the example shown in Figure 9.20:

```

1 q = kmalloc(sizeof(*p), GFP_KERNEL);
2 *q = *p;
3 q->b = 2;
4 q->c = 3;
5 list_replace_rcu(&p->list, &q->list);
6 synchronize_rcu();
7 kfree(p);

```

The initial state of the list, including the pointer `p`, is the same as for the deletion example, as shown on the first row of Figure 9.22.

As before, the triples in each element represent the values of fields `a`, `b`, and `c`, respectively. The red-shaded elements might be referenced by readers, and because readers do not synchronize directly with updaters, readers might run concurrently with this entire replacement process. Please note that we again omit the backwards pointers and the link from the tail of the list to the head for clarity.

The following text describes how to replace the 5, 6, 7 element with 5, 2, 3 in such a way that any given reader sees one of these two values.

Line 1 `kmalloc()` s a replacement element, as follows, resulting in the state as

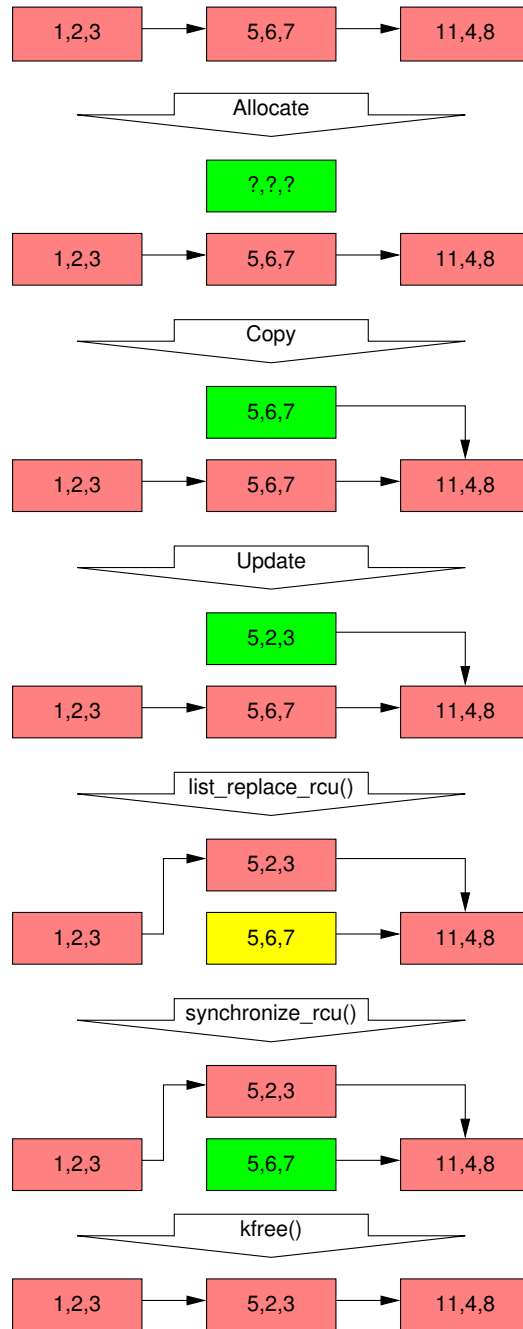


Figure 9.22: RCU Replacement in Linked List

shown in the second row of Figure 9.22. At this point, no reader can hold a reference to the newly allocated element (as indicated by its green shading), and it is uninitialized (as indicated by the question marks).

Line 2 copies the old element to the new one, resulting in the state as shown in the third row of Figure 9.22. The newly allocated element still cannot be referenced by readers, but it is now initialized.

Line 3 updates `q->b` to the value “2”, and line 4 updates `q->c` to the value “3”, as shown on the fourth row of Figure 9.22.

Now, line 5 does the replacement, so that the new element is finally visible to readers, and hence is shaded red, as shown on the fifth row of Figure 9.22. At this point, as shown below, we have two versions of the list. Pre-existing readers might see the 5, 6, 7 element (which is therefore now shaded yellow), but new readers will instead see the 5, 2, 3 element. But any given reader is guaranteed to see some well-defined list.

After the `synchronize_rcu()` on line 6 returns, a grace period will have elapsed, and so all reads that started before the `list_replace_rcu()` will have completed. In particular, any readers that might have been holding references to the 5, 6, 7 element are guaranteed to have exited their RCU read-side critical sections, and are thus prohibited from continuing to hold a reference. Therefore, there can no longer be any readers holding references to the old element, as indicated its green shading in the sixth row of Figure 9.22. As far as the readers are concerned, we are back to having a single version of the list, but with the new element in place of the old.

After the `kfree()` on line 7 completes, the list will appear as shown on the final row of Figure 9.22.

Despite the fact that RCU was named after the replacement case, the vast majority of RCU usage within the Linux kernel relies on the simple deletion case shown in Section 9.3.2.3.

**Discussion** These examples assumed that a mutex was held across the entire update operation, which would mean that there could be at most two versions of the list active at a given time.

**Quick Quiz 9.23:** How would you modify the deletion example to permit more than two versions of the list to be active? ■

**Quick Quiz 9.24:** How many RCU versions of a given list can be active at any given time? ■

This sequence of events shows how RCU updates use multiple versions to safely carry out changes in presence of concurrent readers. Of course, some algorithms cannot gracefully handle multiple versions. There are techniques for adapting such algorithms to RCU [McK04], but these are beyond the scope of this section.

#### 9.3.2.4 Summary of RCU Fundamentals

This section has described the three fundamental components of RCU-based algorithms:

1. a publish-subscribe mechanism for adding new data,
2. a way of waiting for pre-existing RCU readers to finish, and
3. a discipline of maintaining multiple versions to permit change without harming or unduly delaying concurrent RCU readers.



Mechanism RCU Replaces	Section
Reader-writer locking	Section 9.3.3.1
Restricted reference-counting mechanism	Section 9.3.3.2
Bulk reference-counting mechanism	Section 9.3.3.3
Poor man's garbage collector	Section 9.3.3.4
Existence Guarantees	Section 9.3.3.5
Type-Safe Memory	Section 9.3.3.6
Wait for things to finish	Section 9.3.3.7

Table 9.3: RCU Usage

**Quick Quiz 9.25:** How can RCU updaters possibly delay RCU readers, given that the `rcu_read_lock()` and `rcu_read_unlock()` primitives neither spin nor block? ■

These three RCU components allow data to be updated in face of concurrent readers, and can be combined in different ways to implement a surprising variety of different types of RCU-based algorithms, some of which are described in the following section.

### 9.3.3 RCU Usage

This section answers the question “what is RCU?” from the viewpoint of the uses to which RCU can be put. Because RCU is most frequently used to replace some existing mechanism, we look at it primarily in terms of its relationship to such mechanisms, as listed in Table 9.3. Following the sections listed in this table, Section 9.3.3.8 provides a summary.

#### 9.3.3.1 RCU is a Reader-Writer Lock Replacement

Perhaps the most common use of RCU within the Linux kernel is as a replacement for reader-writer locking in read-intensive situations. Nevertheless, this use of RCU was not immediately apparent to me at the outset, in fact, I chose to implement a lightweight reader-writer lock [HW92]<sup>7</sup> before implementing a general-purpose RCU implementation back in the early 1990s. Each and every one of the uses I envisioned for the lightweight reader-writer lock was instead implemented using RCU. In fact, it was more than three years before the lightweight reader-writer lock saw its first use. Boy, did I feel foolish!

The key similarity between RCU and reader-writer locking is that both have read-side critical sections that can execute in parallel. In fact, in some cases, it is possible to mechanically substitute RCU API members for the corresponding reader-writer lock API members. But first, why bother?

Advantages of RCU include performance, deadlock immunity, and realtime latency. There are, of course, limitations to RCU, including the fact that readers and updaters run concurrently, that low-priority RCU readers can block high-priority threads waiting for a grace period to elapse, and that grace-period latencies can extend for many milliseconds. These advantages and limitations are discussed in the following sections.

**Performance** The read-side performance advantages of RCU over reader-writer locking are shown in Figure 9.23.

**Quick Quiz 9.26:** WTF? How the heck do you expect me to believe that RCU

<sup>7</sup> Similar to `brlock` in the 2.4 Linux kernel and to `lglock` in more recent Linux kernels.

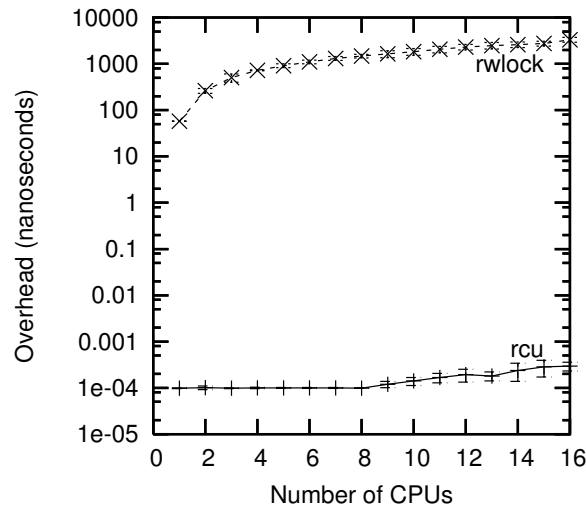


Figure 9.23: Performance Advantage of RCU Over Reader-Writer Locking

has a 100-femtosecond overhead when the clock period at 3GHz is more than 300 *pico*seconds? ■

Note that reader-writer locking is orders of magnitude slower than RCU on a single CPU, and is almost two *additional* orders of magnitude slower on 16 CPUs. In contrast, RCU scales quite well. In both cases, the error bars span a single standard deviation in either direction.

A more moderate view may be obtained from a `CONFIG_PREEMPT` kernel, though RCU still beats reader-writer locking by between one and three orders of magnitude, as shown in Figure 9.24. Note the high variability of reader-writer locking at larger numbers of CPUs. The error bars span a single standard deviation in either direction.

Of course, the low performance of reader-writer locking in Figure 9.24 is exaggerated by the unrealistic zero-length critical sections. The performance advantages of RCU become less significant as the overhead of the critical section increases, as shown in Figure 9.25 for a 16-CPU system, in which the y-axis represents the sum of the overhead of the read-side primitives and that of the critical section.

**Quick Quiz 9.27:** Why does both the variability and overhead of `rwlock` decrease as the critical-section overhead increases? ■

However, this observation must be tempered by the fact that a number of system calls (and thus any RCU read-side critical sections that they contain) can complete within a few microseconds.

In addition, as is discussed in the next section, RCU read-side primitives are almost entirely deadlock-immune.

**Deadlock Immunity** Although RCU offers significant performance advantages for read-mostly workloads, one of the primary reasons for creating RCU in the first place was in fact its immunity to read-side deadlocks. This immunity stems from the fact that RCU read-side primitives do not block, spin, or even do backwards branches, so that their execution time is deterministic. It is therefore impossible for them to participate in

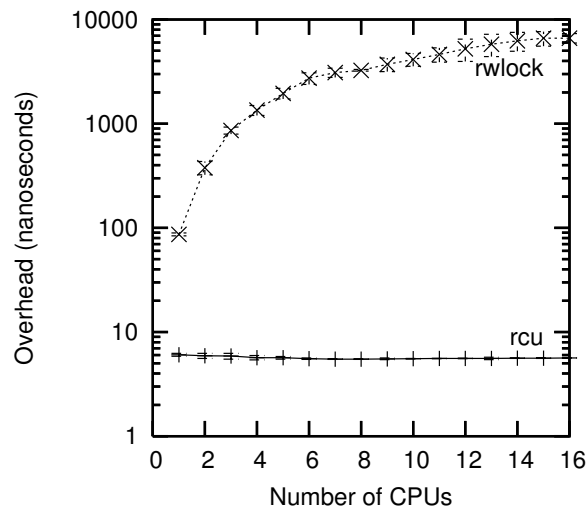


Figure 9.24: Performance Advantage of Preemptible RCU Over Reader-Writer Locking

a deadlock cycle.

**Quick Quiz 9.28:** Is there an exception to this deadlock immunity, and if so, what sequence of events could lead to deadlock? ■

An interesting consequence of RCU’s read-side deadlock immunity is that it is possible to unconditionally upgrade an RCU reader to an RCU updater. Attempting to do such an upgrade with reader-writer locking results in deadlock. A sample code fragment that does an RCU read-to-update upgrade follows:

```

1 rcu_read_lock();
2 list_for_each_entry_rcu(p, &head, list_field) {
3     do_something_with(p);
4     if (need_update(p)) {
5         spin_lock(my_lock);
6         do_update(p);
7         spin_unlock(&my_lock);
8     }
9 }
10 rcu_read_unlock();

```

Note that `do_update()` is executed under the protection of the lock *and* under RCU read-side protection.

Another interesting consequence of RCU’s deadlock immunity is its immunity to a large class of priority inversion problems. For example, low-priority RCU readers cannot prevent a high-priority RCU updater from acquiring the update-side lock. Similarly, a low-priority RCU updater cannot prevent high-priority RCU readers from entering an RCU read-side critical section.

**Quick Quiz 9.29:** Immunity to both deadlock and priority inversion??? Sounds too good to be true. Why should I believe that this is even possible? ■

**Realtime Latency** Because RCU read-side primitives neither spin nor block, they offer excellent realtime latencies. In addition, as noted earlier, this means that they are immune to priority inversion involving the RCU read-side primitives and locks.

However, RCU is susceptible to more subtle priority-inversion scenarios, for exam-

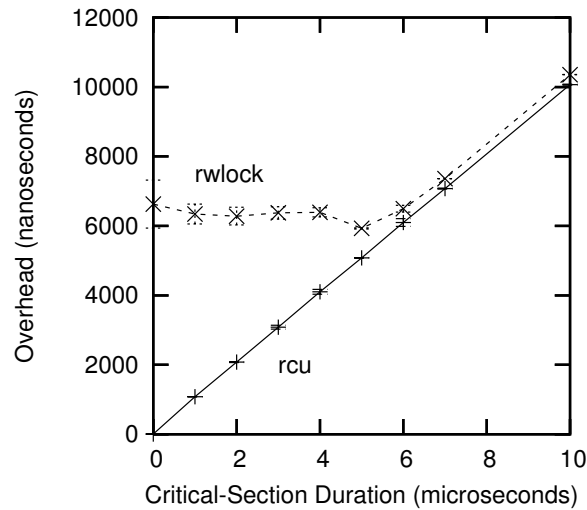


Figure 9.25: Comparison of RCU to Reader-Writer Locking as Function of Critical-Section Duration

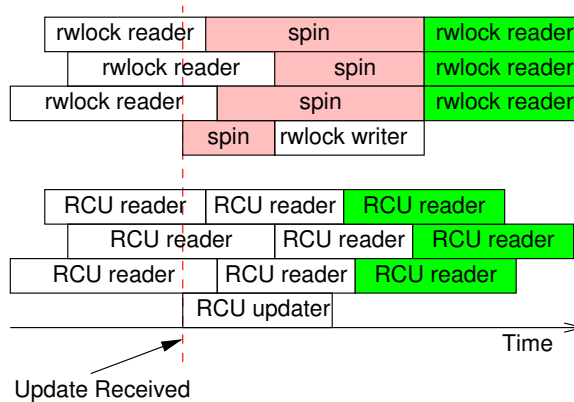


Figure 9.26: Response Time of RCU vs. Reader-Writer Locking

ple, a high-priority process blocked waiting for an RCU grace period to elapse can be blocked by low-priority RCU readers in -rt kernels. This can be solved by using RCU priority boosting [McK07d, GMTW08].

**RCU Readers and Updaters Run Concurrently** Because RCU readers never spin nor block, and because updaters are not subject to any sort of rollback or abort semantics, RCU readers and updaters must necessarily run concurrently. This means that RCU readers might access stale data, and might even see inconsistencies, either of which can render conversion from reader-writer locking to RCU non-trivial.

However, in a surprisingly large number of situations, inconsistencies and stale data are not problems. The classic example is the networking routing table. Because routing updates can take considerable time to reach a given system (seconds or even minutes),

the system will have been sending packets the wrong way for quite some time when the update arrives. It is usually not a problem to continue sending updates the wrong way for a few additional milliseconds. Furthermore, because RCU updaters can make changes without waiting for RCU readers to finish, the RCU readers might well see the change more quickly than would batch-fair reader-writer-locking readers, as shown in Figure 9.26.

Once the update is received, the rwlock writer cannot proceed until the last reader completes, and subsequent readers cannot proceed until the writer completes. However, these subsequent readers are guaranteed to see the new value, as indicated by the green shading of the rightmost boxes. In contrast, RCU readers and updaters do not block each other, which permits the RCU readers to see the updated values sooner. Of course, because their execution overlaps that of the RCU updater, *all* of the RCU readers might well see updated values, including the three readers that started before the update. Nevertheless only the green-shaded rightmost RCU readers are *guaranteed* to see the updated values.

Reader-writer locking and RCU simply provide different guarantees. With reader-writer locking, any reader that begins after the writer begins is guaranteed to see new values, and any reader that attempts to begin while the writer is spinning might or might not see new values, depending on the reader/writer preference of the rwlock implementation in question. In contrast, with RCU, any reader that begins after the updater completes is guaranteed to see new values, and any reader that completes after the updater begins might or might not see new values, depending on timing.

The key point here is that, although reader-writer locking does indeed guarantee consistency within the confines of the computer system, there are situations where this consistency comes at the price of increased *inconsistency* with the outside world. In other words, reader-writer locking obtains internal consistency at the price of silently stale data with respect to the outside world.

Nevertheless, there are situations where inconsistency and stale data within the confines of the system cannot be tolerated. Fortunately, there are a number of approaches that avoid inconsistency and stale data [McK04, ACMS03], and some methods based on reference counting are discussed in Section 9.1.

**Low-Priority RCU Readers Can Block High-Priority Reclaimers** In Realtime RCU [GMTW08] (see Section D.4), SRCU [McK06b] (see Section D.1), or QRCU [McK07f] (see Section 12.6), each of which is described in the final installment of this series, a preempted reader will prevent a grace period from completing, even if a high-priority task is blocked waiting for that grace period to complete. Realtime RCU can avoid this problem by substituting `call_rcu()` for `synchronize_rcu()` or by using RCU priority boosting [McK07d, GMTW08], which is still in experimental status as of early 2008. It might become necessary to augment SRCU and QRCU with priority boosting, but not before a clear real-world need is demonstrated.

**RCU Grace Periods Extend for Many Milliseconds** With the exception of QRCU and several of the “toy” RCU implementations described in Section 9.3.5, RCU grace periods extend for multiple milliseconds. Although there are a number of techniques to render such long delays harmless, including use of the asynchronous interfaces where available (`call_rcu()` and `call_rcu_bh()`), this situation is a major reason for the rule of thumb that RCU be used in read-mostly situations.

**Comparison of Reader-Writer Locking and RCU Code** In the best case, the conversion from reader-writer locking to RCU is quite simple, as shown in Figures 9.27, 9.28, and 9.29, all taken from Wikipedia [MPA<sup>+</sup>06].

```

1 struct el {
2     struct list_head lp;
3     long key;
4     spinlock_t mutex;
5     int data;
6     /* Other data fields */
7 };
8 DEFINE_RWLOCK(listmutex);
9 LIST_HEAD(head);

```

```

1 struct el {
2     struct list_head lp;
3     long key;
4     spinlock_t mutex;
5     int data;
6     /* Other data fields */
7 };
8 DEFINE_SPINLOCK(listmutex);
9 LIST_HEAD(head);

```

Figure 9.27: Converting Reader-Writer Locking to RCU: Data

```

1 int search(long key, int *result)
2 {
3     struct el *p;
4
5     read_lock(&listmutex);
6     list_for_each_entry(p, &head, lp) {
7         if (p->key == key) {
8             *result = p->data;
9             read_unlock(&listmutex);
10            return 1;
11        }
12    }
13    read_unlock(&listmutex);
14    return 0;
15 }

```

```

1 int search(long key, int *result)
2 {
3     struct el *p;
4
5     rcu_read_lock();
6     list_for_each_entry_rcu(p, &head, lp) {
7         if (p->key == key) {
8             *result = p->data;
9             rcu_read_unlock();
10            return 1;
11        }
12    }
13    rcu_read_unlock();
14    return 0;
15 }

```

Figure 9.28: Converting Reader-Writer Locking to RCU: Search

```

1 int delete(long key)
2 {
3     struct el *p;
4
5     write_lock(&listmutex);
6     list_for_each_entry(p, &head, lp) {
7         if (p->key == key) {
8             list_del(&p->lp);
9             write_unlock(&listmutex);
10
11            kfree(p);
12            return 1;
13        }
14    }
15    write_unlock(&listmutex);
16    return 0;
17 }

```

```

1 int delete(long key)
2 {
3     struct el *p;
4
5     spin_lock(&listmutex);
6     list_for_each_entry(p, &head, lp) {
7         if (p->key == key) {
8             list_del_rcu(&p->lp);
9             spin_unlock(&listmutex);
10            synchronize_rcu();
11            kfree(p);
12            return 1;
13        }
14    }
15    spin_unlock(&listmutex);
16    return 0;
17 }

```

Figure 9.29: Converting Reader-Writer Locking to RCU: Deletion

More-elaborate cases of replacing reader-writer locking with RCU are beyond the scope of this document.

### 9.3.3.2 RCU is a Restricted Reference-Counting Mechanism

Because grace periods are not allowed to complete while there is an RCU read-side critical section in progress, the RCU read-side primitives may be used as a restricted

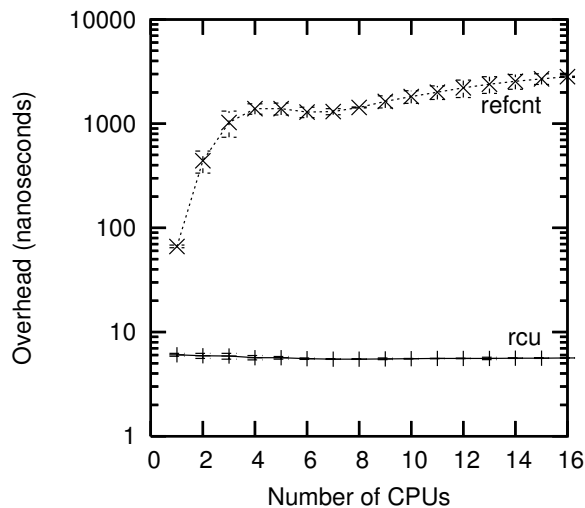


Figure 9.30: Performance of RCU vs. Reference Counting

reference-counting mechanism. For example, consider the following code fragment:

```

1 rcu_read_lock(); /* acquire reference. */
2 p = rcu_dereference(head);
3 /* do something with p. */
4 rcu_read_unlock(); /* release reference. */

```

The `rcu_read_lock()` primitive can be thought of as acquiring a reference to `p`, because a grace period starting after the `rcu_dereference()` assigns to `p` cannot possibly end until after we reach the matching `rcu_read_unlock()`. This reference-counting scheme is restricted in that we are not allowed to block in RCU read-side critical sections, nor are we permitted to hand off an RCU read-side critical section from one task to another.

Regardless of these restrictions, the following code can safely delete `p`:

```

1 spin_lock(&mylock);
2 p = head;
3 rcu_assign_pointer(head, NULL);
4 spin_unlock(&mylock);
5 /* Wait for all references to be released. */
6 synchronize_rcu();
7 kfree(p);

```

The assignment to `head` prevents any future references to `p` from being acquired, and the `synchronize_rcu()` waits for any previously acquired references to be released.

**Quick Quiz 9.30:** But wait! This is exactly the same code that might be used when thinking of RCU as a replacement for reader-writer locking! What gives? ■

Of course, RCU can also be combined with traditional reference counting, as has been discussed on LKML and as summarized in Section 9.1.

But why bother? Again, part of the answer is performance, as shown in Figure 9.30, again showing data taken on a 16-CPU 3GHz Intel x86 system.

**Quick Quiz 9.31:** Why the dip in `refcnt` overhead near 6 CPUs? ■

And, as with reader-writer locking, the performance advantages of RCU are most

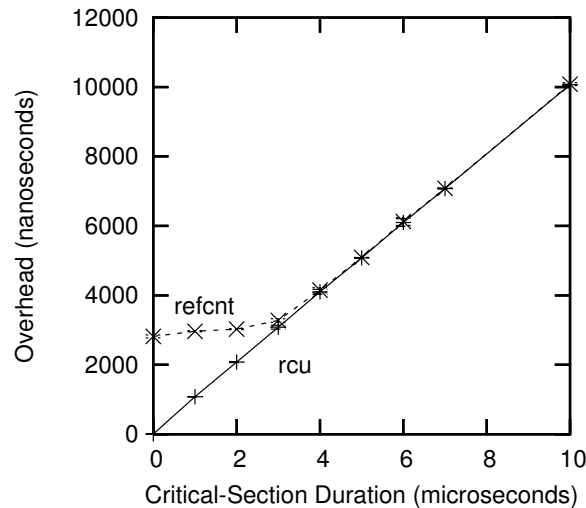


Figure 9.31: Response Time of RCU vs. Reference Counting

pronounced for short-duration critical sections, as shown Figure 9.31 for a 16-CPU system. In addition, as with reader-writer locking, many system calls (and thus any RCU read-side critical sections that they contain) complete in a few microseconds.

However, the restrictions that go with RCU can be quite onerous. For example, in many cases, the prohibition against sleeping while in an RCU read-side critical section would defeat the entire purpose. The next section looks at ways of addressing this problem, while also reducing the complexity of traditional reference counting, at least in some cases.

### 9.3.3.3 RCU is a Bulk Reference-Counting Mechanism

As noted in the preceding section, traditional reference counters are usually associated with a specific data structure, or perhaps a specific group of data structures. However, maintaining a single global reference counter for a large variety of data structures typically results in bouncing the cache line containing the reference count. Such cache-line bouncing can severely degrade performance.

In contrast, RCU's light-weight read-side primitives permit extremely frequent read-side usage with negligible performance degradation, permitting RCU to be used as a "bulk reference-counting" mechanism with little or no performance penalty. Situations where a reference must be held by a single task across a section of code that blocks may be accommodated with Sleepable RCU (SRCU) [McK06b]. This fails to cover the not-uncommon situation where a reference is "passed" from one task to another, for example, when a reference is acquired when starting an I/O and released in the corresponding completion interrupt handler. (In principle, this could be handled by the SRCU implementation, but in practice, it is not yet clear whether this is a good tradeoff.)

Of course, SRCU brings restrictions of its own, namely that the return value from `srcu_read_lock()` be passed into the corresponding `srcu_read_unlock()`, and that no SRCU primitives be invoked from hardware interrupt handlers or from non-maskable interrupt (NMI) handlers. The jury is still out as to how much of a



```

1 int delete(int key)
2 {
3     struct element *p;
4     int b;
5
6     b = hashfunction(key);
7     rcu_read_lock();
8     p = rcu_dereference(hashtable[b]);
9     if (p == NULL || p->key != key) {
10        rcu_read_unlock();
11        return 0;
12    }
13    spin_lock(&p->lock);
14    if (hashtable[b] == p && p->key == key) {
15        rcu_read_unlock();
16        rcu_assign_pointer(hashtable[b], NULL);
17        spin_unlock(&p->lock);
18        synchronize_rcu();
19        kfree(p);
20        return 1;
21    }
22    spin_unlock(&p->lock);
23    rcu_read_unlock();
24    return 0;
25 }

```

Figure 9.32: Existence Guarantees Enable Per-Element Locking

problem is presented by these restrictions, and as to how they can best be handled.

### 9.3.3.4 RCU is a Poor Man’s Garbage Collector

A not-uncommon exclamation made by people first learning about RCU is “RCU is sort of like a garbage collector!”. This exclamation has a large grain of truth, but it can also be misleading.

Perhaps the best way to think of the relationship between RCU and automatic garbage collectors (GCs) is that RCU resembles a GC in that the *timing* of collection is automatically determined, but that RCU differs from a GC in that: (1) the programmer must manually indicate when a given data structure is eligible to be collected, and (2) the programmer must manually mark the RCU read-side critical sections where references might legitimately be held.

Despite these differences, the resemblance does go quite deep, and has appeared in at least one theoretical analysis of RCU. Furthermore, the first RCU-like mechanism I am aware of used a garbage collector to handle the grace periods. Nevertheless, a better way of thinking of RCU is described in the following section.

### 9.3.3.5 RCU is a Way of Providing Existence Guarantees

Gamsa et al. [GKAS99] discuss existence guarantees and describe how a mechanism resembling RCU can be used to provide these existence guarantees (see section 5 on page 7 of the PDF), and Section 7.4 discusses how to guarantee existence via locking, along with the ensuing disadvantages of doing so. The effect is that if any RCU-protected data element is accessed within an RCU read-side critical section, that data element is guaranteed to remain in existence for the duration of that RCU read-side critical section.

Figure 9.32 demonstrates how RCU-based existence guarantees can enable per-element locking via a function that deletes an element from a hash table. Line 6 computes a hash function, and line 7 enters an RCU read-side critical section. If line 9

finds that the corresponding bucket of the hash table is empty or that the element present is not the one we wish to delete, then line 10 exits the RCU read-side critical section and line 11 indicates failure.

**Quick Quiz 9.32:** What if the element we need to delete is not the first element of the list on line 9 of Figure 9.32? ■

Otherwise, line 13 acquires the update-side spinlock, and line 14 then checks that the element is still the one that we want. If so, line 15 leaves the RCU read-side critical section, line 16 removes it from the table, line 17 releases the lock, line 18 waits for all pre-existing RCU read-side critical sections to complete, line 19 frees the newly removed element, and line 20 indicates success. If the element is no longer the one we want, line 22 releases the lock, line 23 leaves the RCU read-side critical section, and line 24 indicates failure to delete the specified key.

**Quick Quiz 9.33:** Why is it OK to exit the RCU read-side critical section on line 15 of Figure 9.32 before releasing the lock on line 17? ■

**Quick Quiz 9.34:** Why not exit the RCU read-side critical section on line 23 of Figure 9.32 before releasing the lock on line 22? ■

Alert readers will recognize this as only a slight variation on the original “RCU is a way of waiting for things to finish” theme, which is addressed in Section 9.3.3.7. They might also note the deadlock-immunity advantages over the lock-based existence guarantees discussed in Section 7.4.

### 9.3.3.6 RCU is a Way of Providing Type-Safe Memory

A number of lockless algorithms do not require that a given data element keep the same identity through a given RCU read-side critical section referencing it—but only if that data element retains the same type. In other words, these lockless algorithms can tolerate a given data element being freed and reallocated as the same type of structure while they are referencing it, but must prohibit a change in type. This guarantee, called “type-safe memory” in academic literature [GC96], is weaker than the existence guarantees in the previous section, and is therefore quite a bit harder to work with. Type-safe memory algorithms in the Linux kernel make use of slab caches, specially marking these caches with `SLAB_DESTROY_BY_RCU` so that RCU is used when returning a freed-up slab to system memory. This use of RCU guarantees that any in-use element of such a slab will remain in that slab, thus retaining its type, for the duration of any pre-existing RCU read-side critical sections.

**Quick Quiz 9.35:** But what if there is an arbitrarily long series of RCU read-side critical sections in multiple threads, so that at any point in time there is at least one thread in the system executing in an RCU read-side critical section? Wouldn't that prevent any data from a `SLAB_DESTROY_BY_RCU` slab ever being returned to the system, possibly resulting in OOM events? ■

These algorithms typically use a validation step that checks to make sure that the newly referenced data structure really is the one that was requested [LS86, Section 2.5]. These validation checks require that portions of the data structure remain untouched by the free-reallocate process. Such validation checks are usually very hard to get right, and can hide subtle and difficult bugs.

Therefore, although type-safety-based lockless algorithms can be extremely helpful in a very few difficult situations, you should instead use existence guarantees where possible. Simpler is after all almost always better!

### 9.3.3.7 RCU is a Way of Waiting for Things to Finish

As noted in Section 9.3.2 an important component of RCU is a way of waiting for RCU readers to finish. One of RCU's great strengths is that it allows you to wait for each of thousands of different things to finish without having to explicitly track each and every one of them, and without having to worry about the performance degradation, scalability limitations, complex deadlock scenarios, and memory-leak hazards that are inherent in schemes that use explicit tracking.

In this section, we will show how `synchronize_sched()`'s read-side counterparts (which include anything that disables preemption, along with hardware operations and primitives that disable interrupts) permit you to implement interactions with non-maskable interrupt (NMI) handlers that would be quite difficult if using locking. This approach has been called "Pure RCU" [McK04], and it is used in a number of places in the Linux kernel.

The basic form of such "Pure RCU" designs is as follows:

1. Make a change, for example, to the way that the OS reacts to an NMI.
2. Wait for all pre-existing read-side critical sections to completely finish (for example, by using the `synchronize_sched()` primitive). The key observation here is that subsequent RCU read-side critical sections are guaranteed to see whatever change was made.
3. Clean up, for example, return status indicating that the change was successfully made.

The remainder of this section presents example code adapted from the Linux kernel. In this example, the `timer_stop` function uses `synchronize_sched()` to ensure that all in-flight NMI notifications have completed before freeing the associated resources. A simplified version of this code is shown Figure 9.33.

Lines 1-4 define a `profile_buffer` structure, containing a size and an indefinite array of entries. Line 5 defines a pointer to a profile buffer, which is presumably initialized elsewhere to point to a dynamically allocated region of memory.

Lines 7-16 define the `nmi_profile()` function, which is called from within an NMI handler. As such, it cannot be preempted, nor can it be interrupted by a normal interrupts handler, however, it is still subject to delays due to cache misses, ECC errors, and cycle stealing by other hardware threads within the same core. Line 9 gets a local pointer to the profile buffer using the `rcu_dereference()` primitive to ensure memory ordering on DEC Alpha, and lines 11 and 12 exit from this function if there is no profile buffer currently allocated, while lines 13 and 14 exit from this function if the `pcvalue` argument is out of range. Otherwise, line 15 increments the profile-buffer entry indexed by the `pcvalue` argument. Note that storing the size with the buffer guarantees that the range check matches the buffer, even if a large buffer is suddenly replaced by a smaller one.

Lines 18-27 define the `nmi_stop()` function, where the caller is responsible for mutual exclusion (for example, holding the correct lock). Line 20 fetches a pointer to the profile buffer, and lines 22 and 23 exit the function if there is no buffer. Otherwise, line 24 NULLs out the profile-buffer pointer (using the `rcu_assign_pointer()` primitive to maintain memory ordering on weakly ordered machines), and line 25 waits for an RCU Sched grace period to elapse, in particular, waiting for all non-preemptible regions of code, including NMI handlers, to complete. Once execution continues at

```

1 struct profile_buffer {
2     long size;
3     atomic_t entry[0];
4 };
5 static struct profile_buffer *buf = NULL;
6
7 void nmi_profile(unsigned long pcvalue)
8 {
9     struct profile_buffer *p = rcu_dereference(buf);
10
11     if (p == NULL)
12         return;
13     if (pcvalue >= p->size)
14         return;
15     atomic_inc(&p->entry[pcvalue]);
16 }
17
18 void nmi_stop(void)
19 {
20     struct profile_buffer *p = buf;
21
22     if (p == NULL)
23         return;
24     rcu_assign_pointer(buf, NULL);
25     synchronize_sched();
26     kfree(p);
27 }

```

Figure 9.33: Using RCU to Wait for NMIs to Finish

line 26, we are guaranteed that any instance of `nmi_profile()` that obtained a pointer to the old buffer has returned. It is therefore safe to free the buffer, in this case using the `kfree()` primitive.

**Quick Quiz 9.36:** Suppose that the `nmi_profile()` function was preemptible. What would need to change to make this example work correctly? ■

In short, RCU makes it easy to dynamically switch among profile buffers (you just *try* doing this efficiently with atomic operations, or at all with locking!). However, RCU is normally used at a higher level of abstraction, as was shown in the previous sections.

### 9.3.3.8 RCU Usage Summary

At its core, RCU is nothing more nor less than an API that provides:

1. a publish-subscribe mechanism for adding new data,
2. a way of waiting for pre-existing RCU readers to finish, and
3. a discipline of maintaining multiple versions to permit change without harming or unduly delaying concurrent RCU readers.

That said, it is possible to build higher-level constructs on top of RCU, including the reader-writer-locking, reference-counting, and existence-guarantee constructs listed in the earlier sections. Furthermore, I have no doubt that the Linux community will continue to find interesting new uses for RCU, as well as for any of a number of other synchronization primitives.

In the meantime, Figure 9.34 shows some rough rules of thumb on where RCU is most helpful.

As shown in the blue box at the top of the figure, RCU works best if you have read-mostly data where stale and inconsistent data is permissible (but see below for

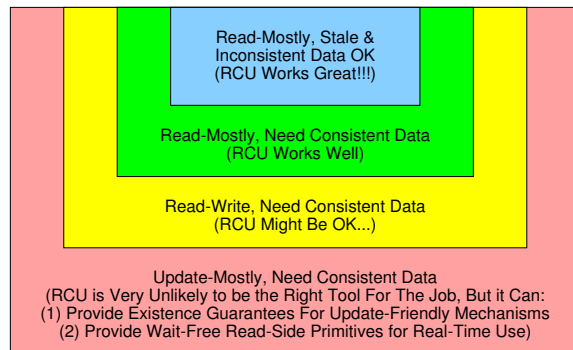


Figure 9.34: RCU Areas of Applicability

more information on stale and inconsistent data). The canonical example of this case in the Linux kernel is routing tables. Because it may have taken many seconds or even minutes for the routing updates to propagate across Internet, the system has been sending packets the wrong way for quite some time. Having some small probability of continuing to send some of them the wrong way for a few more milliseconds is almost never a problem.

If you have a read-mostly workload where consistent data is required, RCU works well, as shown by the green “read-mostly, need consistent data” box. One example of this case is the Linux kernel’s mapping from user-level System-V semaphore IDs to the corresponding in-kernel data structures. Semaphores tend to be used far more frequently than they are created and destroyed, so this mapping is read-mostly. However, it would be erroneous to perform a semaphore operation on a semaphore that has already been deleted. This need for consistency is handled by using the lock in the in-kernel semaphore data structure, along with a “deleted” flag that is set when deleting a semaphore. If a user ID maps to an in-kernel data structure with the “deleted” flag set, the data structure is ignored, so that the user ID is flagged as invalid.

Although this requires that the readers acquire a lock for the data structure representing the semaphore itself, it allows them to dispense with locking for the mapping data structure. The readers therefore locklessly traverse the tree used to map from ID to data structure, which in turn greatly improves performance, scalability, and real-time response.

As indicated by the yellow “read-write” box, RCU can also be useful for read-write workloads where consistent data is required, although usually in conjunction with a number of other synchronization primitives. For example, the directory-entry cache in recent Linux kernels uses RCU in conjunction with sequence locks, per-CPU locks, and per-data-structure locks to allow lockless traversal of pathnames in the common case. Although RCU can be very beneficial in this read-write case, such use is often more complex than that of the read-mostly cases.

Finally, as indicated by the red box at the bottom of the figure, update-mostly workloads requiring consistent data are rarely good places to use RCU, though there are some exceptions [DMS<sup>+</sup>12]. In addition, as noted in Section 9.3.3.6, within the Linux kernel, the `SLAB_DESTROY_BY_RCU` slab-allocator flag provides type-safe memory to RCU readers, which can greatly simplify non-blocking synchronization and other lockless algorithms.

In short, RCU is an API that includes a publish-subscribe mechanism for adding new data, a way of waiting for pre-existing RCU readers to finish, and a discipline of maintaining multiple versions to allow updates to avoid harming or unduly delaying concurrent RCU readers. This RCU API is best suited for read-mostly situations, especially if stale and inconsistent data can be tolerated by the application.

### 9.3.4 RCU Linux-Kernel API

This section looks at RCU from the viewpoint of its Linux-kernel API. Section 9.3.4.1 presents RCU’s wait-to-finish APIs, and Section 9.3.4.2 presents RCU’s publish-subscribe and version-maintenance APIs. Finally, Section 9.3.4.4 presents concluding remarks.

#### 9.3.4.1 RCU has a Family of Wait-to-Finish APIs

The most straightforward answer to “what is RCU” is that RCU is an API used in the Linux kernel, as summarized by Tables 9.4 and 9.5, which shows the wait-for-RCU-readers portions of the non-sleepable and sleepable APIs, respectively, and by Table 9.6, which shows the publish/subscribe portions of the API.

If you are new to RCU, you might consider focusing on just one of the columns in Table 9.4, each of which summarizes one member of the Linux kernel’s RCU API family. For example, if you are primarily interested in understanding how RCU is used in the Linux kernel, “RCU Classic” would be the place to start, as it is used most frequently. On the other hand, if you want to understand RCU for its own sake, “SRCU” has the simplest API. You can always come back for the other columns later.

If you are already familiar with RCU, these tables can serve as a useful reference.

**Quick Quiz 9.37:** Why do some of the cells in Table 9.4 have exclamation marks (“!”)? ■

The “RCU Classic” column corresponds to the original RCU implementation, in which RCU read-side critical sections are delimited by `rcu_read_lock()` and `rcu_read_unlock()`, which may be nested. The corresponding synchronous update-side primitives, `synchronize_rcu()`, along with its synonym `synchronize_net()`, wait for any currently executing RCU read-side critical sections to complete. The length of this wait is known as a “grace period”. The asynchronous update-side primitive, `call_rcu()`, invokes a specified function with a specified argument after a subsequent grace period. For example, `call_rcu(p, f);` will result in the “RCU callback” `f(p)` being invoked after a subsequent grace period. There are situations, such as when unloading a Linux-kernel module that uses `call_rcu()`, when it is necessary to wait for all outstanding RCU callbacks to complete [McK07e]. The `rcu_barrier()` primitive does this job. Note that the more recent hierarchical RCU [McK08a] implementation described in Sections D.2 and D.3 also adheres to “RCU Classic” semantics.

Finally, RCU may be used to provide type-safe memory [GC96], as described in Section 9.3.3.6. In the context of RCU, type-safe memory guarantees that a given data element will not change type during any RCU read-side critical section that accesses it. To make use of RCU-based type-safe memory, pass `SLAB_DESTROY_BY_RCU` to `kmem_cache_create()`. It is important to note that `SLAB_DESTROY_BY_RCU` will *in no way* prevent `kmem_cache_alloc()` from immediately reallocating memory that was just now freed via `kmem_cache_free()`! In fact, the `SLAB_DESTROY_BY_RCU`-protected data structure just returned by `rcu_dereference`

Attribute	RCU Classic	RCU BH	RCU Sched	Realtime RCU
Purpose	Original	Prevent DDoS attacks	Wait for preempt-disable regions, hardirqs, & NMIs	Realtime response
Availability	2.5.43	2.6.9	2.6.12	2.6.26
Read-side primitives	<code>rcu_read_lock()</code> ! <code>rcu_read_unlock()</code> !	<code>rcu_read_lock_bh()</code> <code>rcu_read_unlock_bh()</code>	<code>preempt_disable()</code> <code>preempt_enable()</code> (and friends)	<code>rcu_read_lock()</code> <code>rcu_read_unlock()</code>
Update-side primitives (synchronous)	<code>synchronize_rcu()</code> <code>synchronize_net()</code>		<code>synchronize_sched()</code>	<code>synchronize_rcu()</code> <code>synchronize_net()</code>
Update-side primitives (asynchronous/callback)	<code>call_rcu()</code> !	<code>call_rcu_bh()</code>	<code>call_rcu_sched()</code>	<code>call_rcu()</code>
Update-side primitives (wait for callbacks)	<code>rcu_barrier()</code>	<code>rcu_barrier_bh()</code>	<code>rcu_barrier_sched()</code>	<code>rcu_barrier()</code>
Type-safe memory	SLAB_DESTROY_BY_RCU			SLAB_DESTROY_BY_RCU
Read side constraints	No blocking	No irq enabling	No blocking	Only preemption and lock acquisition
Read side overhead	Preempt disable/enable (free on non-PREEMPT)	BH disable/enable	Preempt disable/enable (free on non-PREEMPT)	Simple instructions, irq disable/enable
Asynchronous update-side overhead	sub-microsecond	sub-microsecond		sub-microsecond
Grace-period latency	10s of milliseconds	10s of milliseconds	10s of milliseconds	10s of milliseconds
Non-PREEMPT_RT implementation	RCU Classic	RCU BH	RCU Classic	Preemptible RCU
PREEMPT_RT implementation	Preemptible RCU	Realtime RCU	Forced Schedule on all CPUs	Realtime RCU

Table 9.4: RCU Wait-to-Finish APIs

Attribute	SRCU	QRCU
Purpose	Sleeping readers	Sleeping readers and fast grace periods
Availability	2.6.19	
Read-side primitives	<code>srcu_read_lock()</code> <code>srcu_read_unlock()</code>	<code>qrcu_read_lock()</code> <code>qrcu_read_unlock()</code>
Update-side primitives (synchronous)	<code>synchronize_srcu()</code>	<code>synchronize_qrcu()</code>
Update-side primitives (asynchronous/callback)	N/A	N/A
Update-side primitives (wait for callbacks)	N/A	N/A
Type-safe memory		
Read side constraints	No <code>synchronize_srcu()</code>	No <code>synchronize_qrcu()</code>
Read side overhead	Simple instructions, preempt disable/enable	Atomic increment and decrement of shared variable
Asynchronous update-side overhead	N/A	N/A
Grace-period latency	10s of milliseconds	10s of <i>nanoseconds</i> in absence of readers
Non-PREEMPT_RT implementation	SRCU	N/A
PREEMPT_RT implementation	SRCU	N/A

Table 9.5: Sleepable RCU Wait-to-Finish APIs

might be freed and reallocated an arbitrarily large number of times, even when under the protection of `rcu_read_lock()`. Instead, `SLAB_DESTROY_BY_RCU` operates by preventing `kmem_cache_free()` from returning a completely freed-up slab of data structures to the system until after an RCU grace period elapses. In short, although the data element might be freed and reallocated arbitrarily often, at least its type will remain the same.

**Quick Quiz 9.38:** How do you prevent a huge number of RCU read-side critical sections from indefinitely blocking a `synchronize_rcu()` invocation? ■

**Quick Quiz 9.39:** The `synchronize_rcu()` API waits for all pre-existing interrupt handlers to complete, right? ■

In the “RCU BH” column, `rcu_read_lock_bh()` and `rcu_read_unlock_bh()` delimit RCU read-side critical sections, and `call_rcu_bh()` invokes the specified function and argument after a subsequent grace period. Note that RCU BH does not have a synchronous `synchronize_rcu_bh()` interface, though one could easily be added if required.

**Quick Quiz 9.40:** What happens if you mix and match? For example, suppose you use `rcu_read_lock()` and `rcu_read_unlock()` to delimit RCU read-side critical sections, but then use `call_rcu_bh()` to post an RCU callback? ■

**Quick Quiz 9.41:** Hardware interrupt handlers can be thought of as being under the protection of an implicit `rcu_read_lock_bh()`, right? ■

In the “RCU Sched” column, anything that disables preemption acts as an RCU read-side critical section, and `synchronize_sched()` waits for the corresponding RCU grace period. This RCU API family was added in the 2.6.12 kernel, which split the old `synchronize_kernel()` API into the current `synchronize_rcu()` (for RCU Classic) and `synchronize_sched()` (for RCU Sched). Note that RCU Sched did not originally have an asynchronous `call_rcu_sched()` interface, but one was added in 2.6.26. In accordance with the quasi-minimalist philosophy of the Linux community, APIs are added on an as-needed basis.

**Quick Quiz 9.42:** What happens if you mix and match RCU Classic and RCU Sched? ■

**Quick Quiz 9.43:** In general, you cannot rely on `synchronize_sched()` to wait for all pre-existing interrupt handlers, right? ■

The “Realtime RCU” column has the same API as does RCU Classic, the only difference being that RCU read-side critical sections may be preempted and may block while acquiring spinlocks. The design of Realtime RCU is described elsewhere [McK07a].

**Quick Quiz 9.44:** Why do both SRCU and QRCU lack asynchronous `call_srcu()` or `call_qrcu()` interfaces? ■

The “SRCU” column in Table 9.5 displays a specialized RCU API that permits general sleeping in RCU read-side critical sections (see Appendix D.1 for more details). Of course, use of `synchronize_srcu()` in an SRCU read-side critical section can result in self-deadlock, so should be avoided. SRCU differs from earlier RCU implementations in that the caller allocates an `srcu_struct` for each distinct SRCU usage. This approach prevents SRCU read-side critical sections from blocking unrelated `synchronize_srcu()` invocations. In addition, in this variant of RCU, `srcu_read_lock()` returns a value that must be passed into the corresponding `srcu_read_unlock()`.

The “QRCU” column presents an RCU implementation with the same API structure as SRCU, but optimized for extremely low-latency grace periods in absence of readers, as described elsewhere [McK07f]. As with SRCU, use of `synchronize_qrcu()`



in a QRCU read-side critical section can result in self-deadlock, so should be avoided. Although QRCU has not yet been accepted into the Linux kernel, it is worth mentioning given that it is the only kernel-level RCU implementation that can boast deep sub-microsecond grace-period latencies.

**Quick Quiz 9.45:** Under what conditions can `synchronize_srcu()` be safely used within an SRCU read-side critical section? ■

The Linux kernel currently has a surprising number of RCU APIs and implementations. There is some hope of reducing this number, evidenced by the fact that a given build of the Linux kernel currently has at most three implementations behind four APIs (given that RCU Classic and Realtime RCU share the same API). However, careful inspection and analysis will be required, just as would be required in order to eliminate one of the many locking APIs.

The various RCU APIs are distinguished by the forward-progress guarantees that their RCU read-side critical sections must provide, and also by their scope, as follows:

1. RCU BH: read-side critical sections must guarantee forward progress against everything except for NMI and interrupt handlers, but not including software-interrupt (`softirq`) handlers. RCU BH is global in scope.
2. RCU Sched: read-side critical sections must guarantee forward progress against everything except for NMI and irq handlers, including `softirq` handlers. RCU Sched is global in scope.
3. RCU (both classic and real-time): read-side critical sections must guarantee forward progress against everything except for NMI handlers, irq handlers, `softirq` handlers, and (in the real-time case) higher-priority real-time tasks. RCU is global in scope.
4. SRCU and QRCU: read-side critical sections need not guarantee forward progress unless some other task is waiting for the corresponding grace period to complete, in which case these read-side critical sections should complete in no more than a few seconds (and preferably much more quickly).<sup>8</sup> SRCU's and QRCU's scope is defined by the use of the corresponding `srcu_struct` or `qrcu_struct`, respectively.

In other words, SRCU and QRCU compensate for their extremely weak forward-progress guarantees by permitting the developer to restrict their scope.

### 9.3.4.2 RCU has Publish-Subscribe and Version-Maintenance APIs

Fortunately, the RCU publish-subscribe and version-maintenance primitives shown in the following table apply to all of the variants of RCU discussed above. This commonality can in some cases allow more code to be shared, which certainly reduces the API proliferation that would otherwise occur. The original purpose of the RCU publish-subscribe APIs was to bury memory barriers into these APIs, so that Linux kernel programmers could use RCU without needing to become expert on the memory-ordering models of each of the 20+ CPU families that Linux supports [Spr01].

The first pair of categories operate on Linux `struct list_head` lists, which are circular, doubly-linked lists. The `list_for_each_entry_rcu()` primitive

---

<sup>8</sup> Thanks to James Bottomley for urging me to this formulation, as opposed to simply saying that there are no forward-progress guarantees.

Category	Primitives	Availability	Overhead
List traversal	<code>list_for_each_entry_rcu()</code>	2.5.59	Simple instructions (memory barrier on Alpha)
List update	<code>list_add_rcu()</code> <code>list_add_tail_rcu()</code> <code>list_del_rcu()</code> <code>list_replace_rcu()</code> <code>list_splice_init_rcu()</code>	2.5.44 2.5.44 2.5.44 2.6.9 2.6.21	Memory barrier Memory barrier Simple instructions Memory barrier Grace-period latency
Hlist traversal	<code>hlist_for_each_entry_rcu()</code>  <code>hlist_add_after_rcu()</code> <code>hlist_add_before_rcu()</code> <code>hlist_add_head_rcu()</code> <code>hlist_del_rcu()</code> <code>hlist_replace_rcu()</code>	2.6.8  2.6.14 2.6.14 2.5.64 2.5.64 2.6.15	Simple instructions (memory barrier on Alpha)  Memory barrier Memory barrier Memory barrier Simple instructions Memory barrier
Pointer traversal	<code>rcu_dereference()</code>	2.6.9	Simple instructions (memory barrier on Alpha)
Pointer update	<code>rcu_assign_pointer()</code>	2.6.10	Memory barrier

Table 9.6: RCU Publish-Subscribe and Version Maintenance APIs

traverses an RCU-protected list in a type-safe manner, while also enforcing memory ordering for situations where a new list element is inserted into the list concurrently with traversal. On non-Alpha platforms, this primitive incurs little or no performance penalty compared to `list_for_each_entry()`. The `list_add_rcu()`, `list_add_tail_rcu()`, and `list_replace_rcu()` primitives are analogous to their non-RCU counterparts, but incur the overhead of an additional memory barrier on weakly-ordered machines. The `list_del_rcu()` primitive is also analogous to its non-RCU counterpart, but oddly enough is very slightly faster due to the fact that it poisons only the `prev` pointer rather than both the `prev` and `next` pointers as `list_del()` must do. Finally, the `list_splice_init_rcu()` primitive is similar to its non-RCU counterpart, but incurs a full grace-period latency. The purpose of this grace period is to allow RCU readers to finish their traversal of the source list before completely disconnecting it from the list header – failure to do this could prevent such readers from ever terminating their traversal.

**Quick Quiz 9.46:** Why doesn't `list_del_rcu()` poison both the `next` and `prev` pointers? ■

The second pair of categories operate on Linux's `struct hlist_head`, which is a linear linked list. One advantage of `struct hlist_head` over `struct list_head` is that the former requires only a single-pointer list header, which can save significant memory in large hash tables. The `struct hlist_head` primitives in the table relate to their non-RCU counterparts in much the same way as do the `struct list_head` primitives.

The final pair of categories operate directly on pointers, and are useful for creating RCU-protected non-list data structures, such as RCU-protected arrays and trees. The

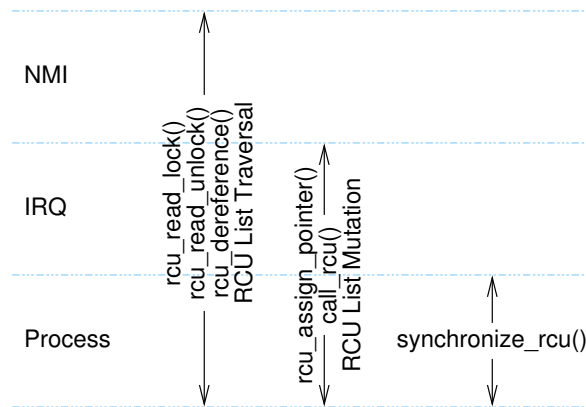


Figure 9.35: RCU API Usage Constraints

`rcu_assign_pointer()` primitive ensures that any prior initialization remains ordered before the assignment to the pointer on weakly ordered machines. Similarly, the `rcu_dereference()` primitive ensures that subsequent code dereferencing the pointer will see the effects of initialization code prior to the corresponding `rcu_assign_pointer()` on Alpha CPUs. On non-Alpha CPUs, `rcu_dereference()` documents which pointer dereferences are protected by RCU.

**Quick Quiz 9.47:** Normally, any pointer subject to `rcu_dereference()` *must* always be updated using `rcu_assign_pointer()`. What is an exception to this rule? ■

**Quick Quiz 9.48:** Are there any downsides to the fact that these traversal and update primitives can be used with any of the RCU API family members? ■

### 9.3.4.3 Where Can RCU's APIs Be Used?

Figure 9.35 shows which APIs may be used in which in-kernel environments. The RCU read-side primitives may be used in any environment, including NMI, the RCU mutation and asynchronous grace-period primitives may be used in any environment other than NMI, and, finally, the RCU synchronous grace-period primitives may be used only in process context. The RCU list-traversal primitives include `list_for_each_entry_rcu()`, `hlist_for_each_entry_rcu()`, etc. Similarly, the RCU list-mutation primitives include `list_add_rcu()`, `hlist_del_rcu()`, etc.

Note that primitives from other families of RCU may be substituted, for example, `srcu_read_lock()` may be used in any context in which `rcu_read_lock()` may be used.

### 9.3.4.4 So, What is RCU Really?

At its core, RCU is nothing more nor less than an API that supports publication and subscription for insertions, waiting for all RCU readers to complete, and maintenance of multiple versions. That said, it is possible to build higher-level constructs on top of RCU, including the reader-writer-locking, reference-counting, and existence-guarantee constructs listed in the companion article. Furthermore, I have no doubt that the Linux

community will continue to find interesting new uses for RCU, just as they do for any of a number of synchronization primitives throughout the kernel.

Of course, a more-complete view of RCU would also include all of the things you can do with these APIs.

However, for many people, a complete view of RCU must include sample RCU implementations. The next section therefore presents a series of “toy” RCU implementations of increasing complexity and capability.

### 9.3.5 “Toy” RCU Implementations

The toy RCU implementations in this section are designed not for high performance, practicality, or any kind of production use,<sup>9</sup> but rather for clarity. Nevertheless, you will need a thorough understanding of Chapters 2, 3, 4, 6, and 9 for even these toy RCU implementations to be easily understandable.

This section provides a series of RCU implementations in order of increasing sophistication, from the viewpoint of solving the existence-guarantee problem. Section 9.3.5.1 presents a rudimentary RCU implementation based on simple locking, while Section 9.3.5.3 through 9.3.5.9 present a series of simple RCU implementations based on locking, reference counters, and free-running counters. Finally, Section 9.3.5.10 provides a summary and a list of desirable RCU properties.

#### 9.3.5.1 Lock-Based RCU

Perhaps the simplest RCU implementation leverages locking, as shown in Figure 9.36 (`rcu_lock.h` and `rcu_lock.c`). In this implementation, `rcu_read_lock()` acquires a global spinlock, `rcu_read_unlock()` releases it, and `synchronize_rcu()` acquires it then immediately releases it.

Because `synchronize_rcu()` does not return until it has acquired (and released) the lock, it cannot return until all prior RCU read-side critical sections have completed, thus faithfully implementing RCU semantics. Of course, only one RCU reader may be in its read-side critical section at a time, which almost entirely defeats the purpose of RCU. In addition, the lock operations in `rcu_read_lock()` and `rcu_read_unlock()` are extremely heavyweight, with read-side overhead ranging from about 100 nanoseconds on a single Power5 CPU up to more than 17 *microseconds* on a

---

<sup>9</sup> However, production-quality user-level RCU implementations are available [Des09].

```
1 static void rcu_read_lock(void)
2 {
3     spin_lock(&rcu_gp_lock);
4 }
5
6 static void rcu_read_unlock(void)
7 {
8     spin_unlock(&rcu_gp_lock);
9 }
10
11 void synchronize_rcu(void)
12 {
13     spin_lock(&rcu_gp_lock);
14     spin_unlock(&rcu_gp_lock);
15 }
```

Figure 9.36: Lock-Based RCU Implementation

64-CPU system. Worse yet, these same lock operations permit `rcu_read_lock()` to participate in deadlock cycles. Furthermore, in absence of recursive locks, RCU read-side critical sections cannot be nested, and, finally, although concurrent RCU updates could in principle be satisfied by a common grace period, this implementation serializes grace periods, preventing grace-period sharing.

**Quick Quiz 9.49:** Why wouldn't any deadlock in the RCU implementation in Figure 9.36 also be a deadlock in any other RCU implementation? ■

**Quick Quiz 9.50:** Why not simply use reader-writer locks in the RCU implementation in Figure 9.36 in order to allow RCU readers to proceed in parallel? ■

It is hard to imagine this implementation being useful in a production setting, though it does have the virtue of being implementable in almost any user-level application. Furthermore, similar implementations having one lock per CPU or using reader-writer locks have been used in production in the 2.4 Linux kernel.

A modified version of this one-lock-per-CPU approach, but instead using one lock per thread, is described in the next section.

### 9.3.5.2 Per-Thread Lock-Based RCU

Figure 9.37 (`rcu_lock_percpu.h` and `rcu_lock_percpu.c`) shows an implementation based on one lock per thread. The `rcu_read_lock()` and `rcu_read_unlock()` functions acquire and release, respectively, the current thread's lock. The `synchronize_rcu()` function acquires and releases each thread's lock in turn. Therefore, all RCU read-side critical sections running when `synchronize_rcu()` starts must have completed before `synchronize_rcu()` can return.

This implementation does have the virtue of permitting concurrent RCU readers, and does avoid the deadlock condition that can arise with a single global lock. Furthermore, the read-side overhead, though high at roughly 140 nanoseconds, remains at about 140 nanoseconds regardless of the number of CPUs. However, the update-side overhead ranges from about 600 nanoseconds on a single Power5 CPU up to more than 100 *microseconds* on 64 CPUs.

**Quick Quiz 9.51:** Wouldn't it be cleaner to acquire all the locks, and then release them all in the loop from lines 15-18 of Figure 9.37? After all, with this change, there would be a point in time when there were no readers, simplifying things greatly. ■

**Quick Quiz 9.52:** Is the implementation shown in Figure 9.37 free from deadlocks? Why or why not? ■

**Quick Quiz 9.53:** Isn't one advantage of the RCU algorithm shown in Figure 9.37 that it uses only primitives that are widely available, for example, in POSIX pthreads? ■

This approach could be useful in some situations, given that a similar approach was used in the Linux 2.4 kernel [MM00].

The counter-based RCU implementation described next overcomes some of the shortcomings of the lock-based implementation.

### 9.3.5.3 Simple Counter-Based RCU

A slightly more sophisticated RCU implementation is shown in Figure 9.38 (`rcu_rcg.h` and `rcu_rcg.c`). This implementation makes use of a global reference counter `rcu_refcnt` defined on line 1. The `rcu_read_lock()` primitive atomically increments this counter, then executes a memory barrier to ensure that the RCU read-side critical section is ordered after the atomic increment. Similarly, `rcu_read_unlock()` executes a memory barrier to confine the RCU read-side critical section,

```

1 static void rcu_read_lock(void)
2 {
3     spin_lock(&__get_thread_var(rcu_gp_lock));
4 }
5
6 static void rcu_read_unlock(void)
7 {
8     spin_unlock(&__get_thread_var(rcu_gp_lock));
9 }
10
11 void synchronize_rcu(void)
12 {
13     int t;
14
15     for_each_running_thread(t) {
16         spin_lock(&per_thread(rcu_gp_lock, t));
17         spin_unlock(&per_thread(rcu_gp_lock, t));
18     }
19 }

```

Figure 9.37: Per-Thread Lock-Based RCU Implementation

```

1 atomic_t rcu_refcnt;
2
3 static void rcu_read_lock(void)
4 {
5     atomic_inc(&rcu_refcnt);
6     smp_mb();
7 }
8
9 static void rcu_read_unlock(void)
10 {
11     smp_mb();
12     atomic_dec(&rcu_refcnt);
13 }
14
15 void synchronize_rcu(void)
16 {
17     smp_mb();
18     while (atomic_read(&rcu_refcnt) != 0) {
19         poll(NULL, 0, 10);
20     }
21     smp_mb();
22 }

```

Figure 9.38: RCU Implementation Using Single Global Reference Counter

then atomically decrements the counter. The `synchronize_rcu()` primitive spins waiting for the reference counter to reach zero, surrounded by memory barriers. The `poll()` on line 19 merely provides pure delay, and from a pure RCU-semantics point of view could be omitted. Again, once `synchronize_rcu()` returns, all prior RCU read-side critical sections are guaranteed to have completed.

In happy contrast to the lock-based implementation shown in Section 9.3.5.1, this implementation allows parallel execution of RCU read-side critical sections. In happy contrast to the per-thread lock-based implementation shown in Section 9.3.5.2, it also allows them to be nested. In addition, the `rcu_read_lock()` primitive cannot possibly participate in deadlock cycles, as it never spins nor blocks.

**Quick Quiz 9.54:** But what if you hold a lock across a call to `synchronize_rcu()`, and then acquire that same lock within an RCU read-side critical section? ■

However, this implementations still has some serious shortcomings. First, the atomic operations in `rcu_read_lock()` and `rcu_read_unlock()` are still quite heavyweight, with read-side overhead ranging from about 100 nanoseconds on a single Power5 CPU up to almost 40 *microseconds* on a 64-CPU system. This means that the RCU read-side critical sections have to be extremely long in order to get any real read-side parallelism. On the other hand, in the absence of readers, grace periods elapse in about 40 *nanoseconds*, many orders of magnitude faster than production-quality implementations in the Linux kernel.

**Quick Quiz 9.55:** How can the grace period possibly elapse in 40 nanoseconds when `synchronize_rcu()` contains a 10-millisecond delay? ■

Second, if there are many concurrent `rcu_read_lock()` and `rcu_read_unlock()` operations, there will be extreme memory contention on `rcu_refcnt`, resulting in expensive cache misses. Both of these first two shortcomings largely defeat a major purpose of RCU, namely to provide low-overhead read-side synchronization primitives.

Finally, a large number of RCU readers with long read-side critical sections could prevent `synchronize_rcu()` from ever completing, as the global counter might never reach zero. This could result in starvation of RCU updates, which is of course unacceptable in production settings.

**Quick Quiz 9.56:** Why not simply make `rcu_read_lock()` wait when a concurrent `synchronize_rcu()` has been waiting too long in the RCU implementation in Figure 9.38? Wouldn't that prevent `synchronize_rcu()` from starving? ■

Therefore, it is still hard to imagine this implementation being useful in a production setting, though it has a bit more potential than the lock-based mechanism, for example, as an RCU implementation suitable for a high-stress debugging environment. The next section describes a variation on the reference-counting scheme that is more favorable to writers.

#### 9.3.5.4 Starvation-Free Counter-Based RCU

Figure 9.40 (`rcu_rcgp.h`) shows the read-side primitives of an RCU implementation that uses a pair of reference counters (`rcu_refcnt[]`), along with a global index that selects one counter out of the pair (`rcu_idx`), a per-thread nesting counter `rcu_nesting`, a per-thread snapshot of the global index (`rcu_read_idx`), and a global lock (`rcu_gp_lock`), which are themselves shown in Figure 9.39.

```

1 DEFINE_SPINLOCK(rcu_gp_lock);
2 atomic_t rcu_refcnt[2];
3 atomic_t rcu_idx;
4 DEFINE_PER_THREAD(int, rcu_nesting);
5 DEFINE_PER_THREAD(int, rcu_read_idx);

```

Figure 9.39: RCU Global Reference-Count Pair Data

```

1 static void rcu_read_lock(void)
2 {
3     int i;
4     int n;
5
6     n = __get_thread_var(rcu_nesting);
7     if (n == 0) {
8         i = atomic_read(&rcu_idx);
9         __get_thread_var(rcu_read_idx) = i;
10        atomic_inc(&rcu_refcnt[i]);
11    }
12    __get_thread_var(rcu_nesting) = n + 1;
13    smp_mb();
14 }
15
16 static void rcu_read_unlock(void)
17 {
18     int i;
19     int n;
20
21    smp_mb();
22    n = __get_thread_var(rcu_nesting);
23    if (n == 1) {
24        i = __get_thread_var(rcu_read_idx);
25        atomic_dec(&rcu_refcnt[i]);
26    }
27    __get_thread_var(rcu_nesting) = n - 1;
28 }

```

Figure 9.40: RCU Read-Side Using Global Reference-Count Pair



**Design** It is the two-element `rcu_refcnt[]` array that provides the freedom from starvation. The key point is that `synchronize_rcu()` is only required to wait for pre-existing readers. If a new reader starts after a given instance of `synchronize_rcu()` has already begun execution, then that instance of `synchronize_rcu()` need not wait on that new reader. At any given time, when a given reader enters its RCU read-side critical section via `rcu_read_lock()`, it increments the element of the `rcu_refcnt[]` array indicated by the `rcu_idx` variable. When that same reader exits its RCU read-side critical section via `rcu_read_unlock()`, it decrements whichever element it incremented, ignoring any possible subsequent changes to the `rcu_idx` value.

This arrangement means that `synchronize_rcu()` can avoid starvation by complementing the value of `rcu_idx`, as in `rcu_idx = !rcu_idx`. Suppose that the old value of `rcu_idx` was zero, so that the new value is one. New readers that arrive after the complement operation will increment `rcu_idx[1]`, while the old readers that previously incremented `rcu_idx[0]` will decrement `rcu_idx[0]` when they exit their RCU read-side critical sections. This means that the value of `rcu_idx[0]` will no longer be incremented, and thus will be monotonically decreasing.<sup>10</sup> This means that all that `synchronize_rcu()` need do is wait for the value of `rcu_refcnt[0]` to reach zero.

With the background, we are ready to look at the implementation of the actual primitives.

**Implementation** The `rcu_read_lock()` primitive atomically increments the member of the `rcu_refcnt[]` pair indexed by `rcu_idx`, and keeps a snapshot of this index in the per-thread variable `rcu_read_idx`. The `rcu_read_unlock()` primitive then atomically decrements whichever counter of the pair that the corresponding `rcu_read_lock()` incremented. However, because only one value of `rcu_idx` is remembered per thread, additional measures must be taken to permit nesting. These additional measures use the per-thread `rcu_nesting` variable to track nesting.

To make all this work, line 6 of `rcu_read_lock()` in Figure 9.40 picks up the current thread's instance of `rcu_nesting`, and if line 7 finds that this is the outermost `rcu_read_lock()`, then lines 8-10 pick up the current value of `rcu_idx`, save it in this thread's instance of `rcu_read_idx`, and atomically increment the selected element of `rcu_refcnt`. Regardless of the value of `rcu_nesting`, line 12 increments it. Line 13 executes a memory barrier to ensure that the RCU read-side critical section does not bleed out before the `rcu_read_lock()` code.

Similarly, the `rcu_read_unlock()` function executes a memory barrier at line 21 to ensure that the RCU read-side critical section does not bleed out after the `rcu_read_unlock()` code. Line 22 picks up this thread's instance of `rcu_nesting`, and if line 23 finds that this is the outermost `rcu_read_unlock()`, then lines 24 and 25 pick up this thread's instance of `rcu_read_idx` (saved by the outermost `rcu_read_lock()`) and atomically decrements the selected element of `rcu_refcnt`. Regardless of the nesting level, line 27 decrements this thread's instance of `rcu_nesting`.

Figure 9.41 (`rcu_rcp.c`) shows the corresponding `synchronize_rcu()` implementation. Lines 6 and 19 acquire and release `rcu_gp_lock` in order to prevent more than one concurrent instance of `synchronize_rcu()`. Lines 7-8 pick up the

---

<sup>10</sup> There is a race condition that this "monotonically decreasing" statement ignores. This race condition will be dealt with by the code for `synchronize_rcu()`. In the meantime, I suggest suspending disbelief.

```

1 void synchronize_rcu(void)
2 {
3     int i;
4
5     smp_mb();
6     spin_lock(&rcu_gp_lock);
7     i = atomic_read(&rcu_idx);
8     atomic_set(&rcu_idx, !i);
9     smp_mb();
10    while (atomic_read(&rcu_refcnt[i]) != 0) {
11        poll(NULL, 0, 10);
12    }
13    smp_mb();
14    atomic_set(&rcu_idx, i);
15    smp_mb();
16    while (atomic_read(&rcu_refcnt[!i]) != 0) {
17        poll(NULL, 0, 10);
18    }
19    spin_unlock(&rcu_gp_lock);
20    smp_mb();
21 }

```

Figure 9.41: RCU Update Using Global Reference-Count Pair

value of `rcu_idx` and complement it, respectively, so that subsequent instances of `rcu_read_lock()` will use a different element of `rcu_idx` that did preceding instances. Lines 10-12 then wait for the prior element of `rcu_idx` to reach zero, with the memory barrier on line 9 ensuring that the check of `rcu_idx` is not reordered to precede the complementing of `rcu_idx`. Lines 13-18 repeat this process, and line 20 ensures that any subsequent reclamation operations are not reordered to precede the checking of `rcu_refcnt`.

**Quick Quiz 9.57:** Why the memory barrier on line 5 of `synchronize_rcu()` in Figure 9.41 given that there is a spin-lock acquisition immediately after? ■

**Quick Quiz 9.58:** Why is the counter flipped twice in Figure 9.41? Shouldn't a single flip-and-wait cycle be sufficient? ■

This implementation avoids the update-starvation issues that could occur in the single-counter implementation shown in Figure 9.38.

**Discussion** There are still some serious shortcomings. First, the atomic operations in `rcu_read_lock()` and `rcu_read_unlock()` are still quite heavyweight. In fact, they are more complex than those of the single-counter variant shown in Figure 9.38, with the read-side primitives consuming about 150 nanoseconds on a single Power5 CPU and almost 40 *microseconds* on a 64-CPU system. The updates-side `synchronize_rcu()` primitive is more costly as well, ranging from about 200 nanoseconds on a single Power5 CPU to more than 40 *microseconds* on a 64-CPU system. This means that the RCU read-side critical sections have to be extremely long in order to get any real read-side parallelism.

Second, if there are many concurrent `rcu_read_lock()` and `rcu_read_unlock()` operations, there will be extreme memory contention on the `rcu_refcnt` elements, resulting in expensive cache misses. This further extends the RCU read-side critical-section duration required to provide parallel read-side access. These first two shortcomings defeat the purpose of RCU in most situations.

Third, the need to flip `rcu_idx` twice imposes substantial overhead on updates, especially if there are large numbers of threads.

Finally, despite the fact that concurrent RCU updates could in principle be satisfied

```

1 DEFINE_SPINLOCK(rcu_gp_lock);
2 DEFINE_PER_THREAD(int [2], rcu_refcnt);
3 atomic_t rcu_idx;
4 DEFINE_PER_THREAD(int, rcu_nesting);
5 DEFINE_PER_THREAD(int, rcu_read_idx);

```

Figure 9.42: RCU Per-Thread Reference-Count Pair Data

```

1 static void rcu_read_lock(void)
2 {
3     int i;
4     int n;
5
6     n = __get_thread_var(rcu_nesting);
7     if (n == 0) {
8         i = atomic_read(&rcu_idx);
9         __get_thread_var(rcu_read_idx) = i;
10        __get_thread_var(rcu_refcnt)[i]++;
11    }
12    __get_thread_var(rcu_nesting) = n + 1;
13    smp_mb();
14 }
15
16 static void rcu_read_unlock(void)
17 {
18     int i;
19     int n;
20
21    smp_mb();
22    n = __get_thread_var(rcu_nesting);
23    if (n == 1) {
24        i = __get_thread_var(rcu_read_idx);
25        __get_thread_var(rcu_refcnt)[i]--;
26    }
27    __get_thread_var(rcu_nesting) = n - 1;
28 }

```

Figure 9.43: RCU Read-Side Using Per-Thread Reference-Count Pair

by a common grace period, this implementation serializes grace periods, preventing grace-period sharing.

**Quick Quiz 9.59:** Given that atomic increment and decrement are so expensive, why not just use non-atomic increment on line 10 and a non-atomic decrement on line 25 of Figure 9.40? ■

Despite these shortcomings, one could imagine this variant of RCU being used on small tightly coupled multiprocessors, perhaps as a memory-conserving implementation that maintains API compatibility with more complex implementations. However, it would not likely scale well beyond a few CPUs.

The next section describes yet another variation on the reference-counting scheme that provides greatly improved read-side performance and scalability.

### 9.3.5.5 Scalable Counter-Based RCU

Figure 9.43 (`rcu_rcpl.h`) shows the read-side primitives of an RCU implementation that uses per-thread pairs of reference counters. This implementation is quite similar to that shown in Figure 9.40, the only difference being that `rcu_refcnt` is now a per-thread array (as shown in Figure 9.42). As with the algorithm in the previous section, use of this two-element array prevents readers from starving updaters. One benefit of per-thread `rcu_refcnt[]` array is that the `rcu_read_lock()` and `rcu_read_`

```

1 static void flip_counter_and_wait(int i)
2 {
3     int t;
4
5     atomic_set(&rcu_idx, !i);
6     smp_mb();
7     for_each_thread(t) {
8         while (per_thread(rcu_refcnt, t)[i] != 0) {
9             poll(NULL, 0, 10);
10        }
11    }
12    smp_mb();
13 }
14
15 void synchronize_rcu(void)
16 {
17     int i;
18
19     smp_mb();
20     spin_lock(&rcu_gp_lock);
21     i = atomic_read(&rcu_idx);
22     flip_counter_and_wait(i);
23     flip_counter_and_wait(!i);
24     spin_unlock(&rcu_gp_lock);
25     smp_mb();
26 }

```

Figure 9.44: RCU Update Using Per-Thread Reference-Count Pair

`unlock()` primitives no longer perform atomic operations.

**Quick Quiz 9.60:** Come off it! We can see the `atomic_read()` primitive in `rcu_read_lock()` !!! So why are you trying to pretend that `rcu_read_lock()` contains no atomic operations???

Figure 9.44 (`rcu_rcpl.c`) shows the implementation of `synchronize_rcu()`, along with a helper function named `flip_counter_and_wait()`. The `synchronize_rcu()` function resembles that shown in Figure 9.41, except that the repeated counter flip is replaced by a pair of calls on lines 22 and 23 to the new helper function.

The new `flip_counter_and_wait()` function updates the `rcu_idx` variable on line 5, executes a memory barrier on line 6, then lines 7-11 spin on each thread's prior `rcu_refcnt` element, waiting for it to go to zero. Once all such elements have gone to zero, it executes another memory barrier on line 12 and returns.

This RCU implementation imposes important new requirements on its software environment, namely, (1) that it be possible to declare per-thread variables, (2) that these per-thread variables be accessible from other threads, and (3) that it is possible to enumerate all threads. These requirements can be met in almost all software environments, but often result in fixed upper bounds on the number of threads. More-complex implementations might avoid such bounds, for example, by using expandable hash tables. Such implementations might dynamically track threads, for example, by adding them on their first call to `rcu_read_lock()`.

**Quick Quiz 9.61:** Great, if we have  $N$  threads, we can have  $2N$  ten-millisecond waits (one set per `flip_counter_and_wait()` invocation, and even that assumes that we wait only once for each thread. Don't we need the grace period to complete *much* more quickly?

This implementation still has several shortcomings. First, the need to flip `rcu_idx` twice imposes substantial overhead on updates, especially if there are large numbers of threads.

Second, `synchronize_rcu()` must now examine a number of variables that

```

1 DEFINE_SPINLOCK(rcu_gp_lock);
2 DEFINE_PER_THREAD(int [2], rcu_refcnt);
3 long rcu_idx;
4 DEFINE_PER_THREAD(int, rcu_nesting);
5 DEFINE_PER_THREAD(int, rcu_read_idx);

```

Figure 9.45: RCU Read-Side Using Per-Thread Reference-Count Pair and Shared Update Data

```

1 static void rcu_read_lock(void)
2 {
3     int i;
4     int n;
5
6     n = __get_thread_var(rcu_nesting);
7     if (n == 0) {
8         i = ACCESS_ONCE(rcu_idx) & 0x1;
9         __get_thread_var(rcu_read_idx) = i;
10        __get_thread_var(rcu_refcnt)[i]++;
11    }
12    __get_thread_var(rcu_nesting) = n + 1;
13    smp_mb();
14 }
15
16 static void rcu_read_unlock(void)
17 {
18     int i;
19     int n;
20
21    smp_mb();
22    n = __get_thread_var(rcu_nesting);
23    if (n == 1) {
24        i = __get_thread_var(rcu_read_idx);
25        __get_thread_var(rcu_refcnt)[i]--;
26    }
27    __get_thread_var(rcu_nesting) = n - 1;
28 }

```

Figure 9.46: RCU Read-Side Using Per-Thread Reference-Count Pair and Shared Update

increases linearly with the number of threads, imposing substantial overhead on applications with large numbers of threads.

Third, as before, although concurrent RCU updates could in principle be satisfied by a common grace period, this implementation serializes grace periods, preventing grace-period sharing.

Finally, as noted in the text, the need for per-thread variables and for enumerating threads may be problematic in some software environments.

That said, the read-side primitives scale very nicely, requiring about 115 nanoseconds regardless of whether running on a single-CPU or a 64-CPU Power5 system. As noted above, the `synchronize_rcu()` primitive does not scale, ranging in overhead from almost a microsecond on a single Power5 CPU up to almost 200 microseconds on a 64-CPU system. This implementation could conceivably form the basis for a production-quality user-level RCU implementation.

The next section describes an algorithm permitting more efficient concurrent RCU updates.

```

1 static void flip_counter_and_wait(int ctr)
2 {
3     int i;
4     int t;
5
6     ACCESS_ONCE(rcu_idx) = ctr + 1;
7     i = ctr & 0x1;
8     smp_mb();
9     for_each_thread(t) {
10         while (per_thread(rcu_refcnt, t)[i] != 0) {
11             poll(NULL, 0, 10);
12         }
13     }
14     smp_mb();
15 }
16
17 void synchronize_rcu(void)
18 {
19     int ctr;
20     int oldctr;
21
22     smp_mb();
23     oldctr = ACCESS_ONCE(rcu_idx);
24     smp_mb();
25     spin_lock(&rcu_gp_lock);
26     ctr = ACCESS_ONCE(rcu_idx);
27     if (ctr - oldctr >= 3) {
28         spin_unlock(&rcu_gp_lock);
29         smp_mb();
30         return;
31     }
32     flip_counter_and_wait(ctr);
33     if (ctr - oldctr < 2)
34         flip_counter_and_wait(ctr + 1);
35     spin_unlock(&rcu_gp_lock);
36     smp_mb();
37 }

```

Figure 9.47: RCU Shared Update Using Per-Thread Reference-Count Pair

### 9.3.5.6 Scalable Counter-Based RCU With Shared Grace Periods

Figure 9.46 (`rcu_rcpl.s.h`) shows the read-side primitives for an RCU implementation using per-thread reference count pairs, as before, but permitting updates to share grace periods. The main difference from the earlier implementation shown in Figure 9.43 is that `rcu_idx` is now a long that counts freely, so that line 8 of Figure 9.46 must mask off the low-order bit. We also switched from using `atomic_read()` and `atomic_set()` to using `ACCESS_ONCE()`. The data is also quite similar, as shown in Figure 9.45, with `rcu_idx` now being a long instead of an `atomic_t`.

Figure 9.47 (`rcu_rcpl.s.c`) shows the implementation of `synchronize_rcu()` and its helper function `flip_counter_and_wait()`. These are similar to those in Figure 9.44. The differences in `flip_counter_and_wait()` include:

1. Line 6 uses `ACCESS_ONCE()` instead of `atomic_set()`, and increments rather than complementing.
2. A new line 7 masks the counter down to its bottom bit.

The changes to `synchronize_rcu()` are more pervasive:

1. There is a new `oldctr` local variable that captures the pre-lock-acquisition value of `rcu_idx` on line 23.

2. Line 26 uses `ACCESS_ONCE()` instead of `atomic_read()`.
3. Lines 27-30 check to see if at least three counter flips were performed by other threads while the lock was being acquired, and, if so, releases the lock, does a memory barrier, and returns. In this case, there were two full waits for the counters to go to zero, so those other threads already did all the required work.
4. At lines 33-34, `flip_counter_and_wait()` is only invoked a second time if there were fewer than two counter flips while the lock was being acquired. On the other hand, if there were two counter flips, some other thread did one full wait for all the counters to go to zero, so only one more is required.

With this approach, if an arbitrarily large number of threads invoke `synchronize_rcu()` concurrently, with one CPU for each thread, there will be a total of only three waits for counters to go to zero.

Despite the improvements, this implementation of RCU still has a few shortcomings. First, as before, the need to flip `rcu_idx` twice imposes substantial overhead on updates, especially if there are large numbers of threads.

Second, each updater still acquires `rcu_gp_lock`, even if there is no work to be done. This can result in a severe scalability limitation if there are large numbers of concurrent updates. Section D.4 shows one way to avoid this in a production-quality real-time implementation of RCU for the Linux kernel.

Third, this implementation requires per-thread variables and the ability to enumerate threads, which again can be problematic in some software environments.

Finally, on 32-bit machines, a given update thread might be preempted long enough for the `rcu_idx` counter to overflow. This could cause such a thread to force an unnecessary pair of counter flips. However, even if each grace period took only one microsecond, the offending thread would need to be preempted for more than an hour, in which case an extra pair of counter flips is likely the least of your worries.

As with the implementation described in Section 9.3.5.3, the read-side primitives scale extremely well, incurring roughly 115 nanoseconds of overhead regardless of the number of CPUs. The `synchronize_rcu()` primitive is still expensive, ranging from about one microsecond up to about 16 microseconds. This is nevertheless much cheaper than the roughly 200 microseconds incurred by the implementation in Section 9.3.5.5. So, despite its shortcomings, one could imagine this RCU implementation being used in production in real-life applications.

**Quick Quiz 9.62:** All of these toy RCU implementations have either atomic operations in `rcu_read_lock()` and `rcu_read_unlock()`, or `synchronize_rcu()` overhead that increases linearly with the number of threads. Under what circumstances could an RCU implementation enjoy light-weight implementations for all three of these primitives, all having deterministic ( $O(1)$ ) overheads and latencies? ■

Referring back to Figure 9.46, we see that there is one global-variable access and no fewer than four accesses to thread-local variables. Given the relatively high cost of thread-local accesses on systems implementing POSIX threads, it is tempting to collapse the three thread-local variables into a single structure, permitting `rcu_read_lock()` and `rcu_read_unlock()` to access their thread-local data with a single thread-local-storage access. However, an even better approach would be to reduce the number of thread-local accesses to one, as is done in the next section.

```

1 DEFINE_SPINLOCK(rcu_gp_lock);
2 long rcu_gp_ctr = 0;
3 DEFINE_PER_THREAD(long, rcu_reader_gp);
4 DEFINE_PER_THREAD(long, rcu_reader_gp_snap);

```

Figure 9.48: Data for Free-Running Counter Using RCU

```

1 static void rcu_read_lock(void)
2 {
3     __get_thread_var(rcu_reader_gp) =
4     ACCESS_ONCE(rcu_gp_ctr) + 1;
5     smp_mb();
6 }
7
8 static void rcu_read_unlock(void)
9 {
10    smp_mb();
11    __get_thread_var(rcu_reader_gp) =
12    ACCESS_ONCE(rcu_gp_ctr);
13 }
14
15 void synchronize_rcu(void)
16 {
17     int t;
18
19     smp_mb();
20     spin_lock(&rcu_gp_lock);
21     ACCESS_ONCE(rcu_gp_ctr) += 2;
22     smp_mb();
23     for_each_thread(t) {
24         while ((per_thread(rcu_reader_gp, t) & 0x1) &&
25                ((per_thread(rcu_reader_gp, t) -
26                 ACCESS_ONCE(rcu_gp_ctr)) < 0)) {
27             poll(NULL, 0, 10);
28         }
29     }
30     spin_unlock(&rcu_gp_lock);
31     smp_mb();
32 }

```

Figure 9.49: Free-Running Counter Using RCU



### 9.3.5.7 RCU Based on Free-Running Counter

Figure 9.49 (`rcu.h` and `rcu.c`) show an RCU implementation based on a single global free-running counter that takes on only even-numbered values, with data shown in Figure 9.48. The resulting `rcu_read_lock()` implementation is extremely straightforward. Lines 3 and 4 simply add one to the global free-running `rcu_gp_ctr` variable and stores the resulting odd-numbered value into the `rcu_reader_gp` per-thread variable. Line 5 executes a memory barrier to prevent the content of the subsequent RCU read-side critical section from “leaking out”.

The `rcu_read_unlock()` implementation is similar. Line 10 executes a memory barrier, again to prevent the prior RCU read-side critical section from “leaking out”. Lines 11 and 12 then copy the `rcu_gp_ctr` global variable to the `rcu_reader_gp` per-thread variable, leaving this per-thread variable with an even-numbered value so that a concurrent instance of `synchronize_rcu()` will know to ignore it.

**Quick Quiz 9.63:** If any even value is sufficient to tell `synchronize_rcu()` to ignore a given task, why don’t lines 10 and 11 of Figure 9.49 simply assign zero to `rcu_reader_gp`? ■

Thus, `synchronize_rcu()` could wait for all of the per-thread `rcu_reader_gp` variables to take on even-numbered values. However, it is possible to do much better than that because `synchronize_rcu()` need only wait on *pre-existing* RCU read-side critical sections. Line 19 executes a memory barrier to prevent prior manipulations of RCU-protected data structures from being reordered (by either the CPU or the compiler) to follow the increment on line 21. Line 20 acquires the `rcu_gp_lock` (and line 30 releases it) in order to prevent multiple `synchronize_rcu()` instances from running concurrently. Line 21 then increments the global `rcu_gp_ctr` variable by two, so that all pre-existing RCU read-side critical sections will have corresponding per-thread `rcu_reader_gp` variables with values less than that of `rcu_gp_ctr`, modulo the machine’s word size. Recall also that threads with even-numbered values of `rcu_reader_gp` are not in an RCU read-side critical section, so that lines 23-29 scan the `rcu_reader_gp` values until they all are either even (line 24) or are greater than the global `rcu_gp_ctr` (lines 25-26). Line 27 blocks for a short period of time to wait for a pre-existing RCU read-side critical section, but this can be replaced with a spin-loop if grace-period latency is of the essence. Finally, the memory barrier at line 31 ensures that any subsequent destruction will not be reordered into the preceding loop.

**Quick Quiz 9.64:** Why are the memory barriers on lines 19 and 31 of Figure 9.49 needed? Aren’t the memory barriers inherent in the locking primitives on lines 20 and 30 sufficient? ■

This approach achieves much better read-side performance, incurring roughly 63 nanoseconds of overhead regardless of the number of Power5 CPUs. Updates incur more overhead, ranging from about 500 nanoseconds on a single Power5 CPU to more than 100 *microseconds* on 64 such CPUs.

**Quick Quiz 9.65:** Couldn’t the update-side batching optimization described in Section 9.3.5.6 be applied to the implementation shown in Figure 9.49? ■

This implementation suffers from some serious shortcomings in addition to the high update-side overhead noted earlier. First, it is no longer permissible to nest RCU read-side critical sections, a topic that is taken up in the next section. Second, if a reader is preempted at line 3 of Figure 9.49 after fetching from `rcu_gp_ctr` but before storing to `rcu_reader_gp`, and if the `rcu_gp_ctr` counter then runs through more than half but less than all of its possible values, then `synchronize_rcu()` will ignore the subsequent RCU read-side critical section. Third and finally, this implementation

```

1 DEFINE_SPINLOCK(rcu_gp_lock);
2 #define RCU_GP_CTR_SHIFT 7
3 #define RCU_GP_CTR_BOTTOM_BIT (1 << RCU_GP_CTR_SHIFT)
4 #define RCU_GP_CTR_NEST_MASK (RCU_GP_CTR_BOTTOM_BIT - 1)
5 long rcu_gp_ctr = 0;
6 DEFINE_PER_THREAD(long, rcu_reader_gp);

```

Figure 9.50: Data for Nestable RCU Using a Free-Running Counter

requires that the enclosing software environment be able to enumerate threads and maintain per-thread variables.

**Quick Quiz 9.66:** Is the possibility of readers being preempted in lines 3-4 of Figure 9.49 a real problem, in other words, is there a real sequence of events that could lead to failure? If not, why not? If so, what is the sequence of events, and how can the failure be addressed? ■

### 9.3.5.8 Nestable RCU Based on Free-Running Counter

Figure 9.51 (`rcu_nest.h` and `rcu_nest.c`) show an RCU implementation based on a single global free-running counter, but that permits nesting of RCU read-side critical sections. This nestability is accomplished by reserving the low-order bits of the global `rcu_gp_ctr` to count nesting, using the definitions shown in Figure 9.50. This is a generalization of the scheme in Section 9.3.5.7, which can be thought of as having a single low-order bit reserved for counting nesting depth. Two C-preprocessor macros are used to arrange this, `RCU_GP_CTR_NEST_MASK` and `RCU_GP_CTR_BOTTOM_BIT`. These are related: `RCU_GP_CTR_NEST_MASK=RCU_GP_CTR_BOTTOM_BIT-1`. The `RCU_GP_CTR_BOTTOM_BIT` macro contains a single bit that is positioned just above the bits reserved for counting nesting, and the `RCU_GP_CTR_NEST_MASK` has all one bits covering the region of `rcu_gp_ctr` used to count nesting. Obviously, these two C-preprocessor macros must reserve enough of the low-order bits of the counter to permit the maximum required nesting of RCU read-side critical sections, and this implementation reserves seven bits, for a maximum RCU read-side critical-section nesting depth of 127, which should be well in excess of that needed by most applications.

The resulting `rcu_read_lock()` implementation is still reasonably straightforward. Line 6 places a pointer to this thread's instance of `rcu_reader_gp` into the local variable `rrgp`, minimizing the number of expensive calls to the `pthread` thread-local-state API. Line 7 records the current value of `rcu_reader_gp` into another local variable `tmp`, and line 8 checks to see if the low-order bits are zero, which would indicate that this is the outermost `rcu_read_lock()`. If so, line 9 places the global `rcu_gp_ctr` into `tmp` because the current value previously fetched by line 7 is likely to be obsolete. In either case, line 10 increments the nesting depth, which you will recall is stored in the seven low-order bits of the counter. Line 11 stores the updated counter back into this thread's instance of `rcu_reader_gp`, and, finally, line 12 executes a memory barrier to prevent the RCU read-side critical section from bleeding out into the code preceding the call to `rcu_read_lock()`.

In other words, this implementation of `rcu_read_lock()` picks up a copy of the global `rcu_gp_ctr` unless the current invocation of `rcu_read_lock()` is nested within an RCU read-side critical section, in which case it instead fetches the contents of the current thread's instance of `rcu_reader_gp`. Either way, it increments whatever value it fetched in order to record an additional nesting level, and stores the result in the

```

1 static void rcu_read_lock(void)
2 {
3     long tmp;
4     long *rrgp;
5
6     rrgp = &__get_thread_var(rcu_reader_gp);
7     tmp = *rrgp;
8     if ((tmp & RCU_GP_CTR_NEST_MASK) == 0)
9         tmp = ACCESS_ONCE(rcu_gp_ctr);
10    tmp++;
11    *rrgp = tmp;
12    smp_mb();
13 }
14
15 static void rcu_read_unlock(void)
16 {
17     long tmp;
18
19     smp_mb();
20     __get_thread_var(rcu_reader_gp)--;
21 }
22
23 void synchronize_rcu(void)
24 {
25     int t;
26
27     smp_mb();
28     spin_lock(&rcu_gp_lock);
29     ACCESS_ONCE(rcu_gp_ctr) +=
30         RCU_GP_CTR_BOTTOM_BIT;
31     smp_mb();
32     for_each_thread(t) {
33         while (rcu_gp_ongoing(t) &&
34             ((per_thread(rcu_reader_gp, t) -
35             rcu_gp_ctr) < 0)) {
36             poll(NULL, 0, 10);
37         }
38     }
39     spin_unlock(&rcu_gp_lock);
40     smp_mb();
41 }

```

Figure 9.51: Nestable RCU Using a Free-Running Counter

```

1 DEFINE_SPINLOCK(rcu_gp_lock);
2 long rcu_gp_ctr = 0;
3 DEFINE_PER_THREAD(long, rcu_reader_qs_gp);

```

Figure 9.52: Data for Quiescent-State-Based RCU

current thread’s instance of `rcu_reader_gp`.

Interestingly enough, the implementation of `rcu_read_unlock()` is identical to that shown in Section 9.3.5.7. Line 19 executes a memory barrier in order to prevent the RCU read-side critical section from bleeding out into code following the call to `rcu_read_unlock()`, and line 20 decrements this thread’s instance of `rcu_reader_gp`, which has the effect of decrementing the nesting count contained in `rcu_reader_gp`’s low-order bits. Debugging versions of this primitive would check (before decrementing!) that these low-order bits were non-zero.

The implementation of `synchronize_rcu()` is quite similar to that shown in Section 9.3.5.7. There are two differences. The first is that lines 29 and 30 adds `RCU_GP_CTR_BOTTOM_BIT` to the global `rcu_gp_ctr` instead of adding the constant “2”, and the second is that the comparison on line 33 has been abstracted out to a separate function, where it checks the bit indicated by `RCU_GP_CTR_BOTTOM_BIT` instead of unconditionally checking the low-order bit.

This approach achieves read-side performance almost equal to that shown in Section 9.3.5.7, incurring roughly 65 nanoseconds of overhead regardless of the number of Power5 CPUs. Updates again incur more overhead, ranging from about 600 nanoseconds on a single Power5 CPU to more than 100 *microseconds* on 64 such CPUs.

**Quick Quiz 9.67:** Why not simply maintain a separate per-thread nesting-level variable, as was done in previous section, rather than having all this complicated bit manipulation? ■

This implementation suffers from the same shortcomings as does that of Section 9.3.5.7, except that nesting of RCU read-side critical sections is now permitted. In addition, on 32-bit systems, this approach shortens the time required to overflow the global `rcu_gp_ctr` variable. The following section shows one way to greatly increase the time required for overflow to occur, while greatly reducing read-side overhead.

**Quick Quiz 9.68:** Given the algorithm shown in Figure 9.51, how could you double the time required to overflow the global `rcu_gp_ctr`? ■

**Quick Quiz 9.69:** Again, given the algorithm shown in Figure 9.51, is counter overflow fatal? Why or why not? If it is fatal, what can be done to fix it? ■

### 9.3.5.9 RCU Based on Quiescent States

Figure 9.53 (`rcu_qs.h`) shows the read-side primitives used to construct a user-level implementation of RCU based on quiescent states, with the data shown in Figure 9.52. As can be seen from lines 1-7 in the figure, the `rcu_read_lock()` and `rcu_read_unlock()` primitives do nothing, and can in fact be expected to be inlined and optimized away, as they are in server builds of the Linux kernel. This is due to the fact that quiescent-state-based RCU implementations *approximate* the extents of RCU read-side critical sections using the aforementioned quiescent states, which contains calls to `rcu_quiescent_state()`, shown from lines 9-15 in the figure. Threads entering extended quiescent states (for example, when blocking) may instead use the `thread_offline()` and `thread_online()` APIs to mark the beginning and the

```

1 static void rcu_read_lock(void)
2 {
3 }
4
5 static void rcu_read_unlock(void)
6 {
7 }
8
9 rcu_quiescent_state(void)
10 {
11  smp_mb();
12  __get_thread_var(rcu_reader_qs_gp) =
13  ACCESS_ONCE(rcu_gp_ctr) + 1;
14  smp_mb();
15 }
16
17 static void rcu_thread_offline(void)
18 {
19  smp_mb();
20  __get_thread_var(rcu_reader_qs_gp) =
21  ACCESS_ONCE(rcu_gp_ctr);
22  smp_mb();
23 }
24
25 static void rcu_thread_online(void)
26 {
27  rcu_quiescent_state();
28 }

```

Figure 9.53: Quiescent-State-Based RCU Read Side

end, respectively, of such an extended quiescent state. As such, `thread_online()` is analogous to `rcu_read_lock()` and `thread_offline()` is analogous to `rcu_read_unlock()`. These two functions are shown on lines 17-28 in the figure. In either case, it is illegal for a quiescent state to appear within an RCU read-side critical section.

In `rcu_quiescent_state()`, line 11 executes a memory barrier to prevent any code prior to the quiescent state (including possible RCU read-side critical sections) from being reordered into the quiescent state. Lines 12-13 pick up a copy of the global `rcu_gp_ctr`, using `ACCESS_ONCE()` to ensure that the compiler does not employ any optimizations that would result in `rcu_gp_ctr` being fetched more than once, and then adds one to the value fetched and stores it into the per-thread `rcu_reader_qs_gp` variable, so that any concurrent instance of `synchronize_rcu()` will see an odd-numbered value, thus becoming aware that a new RCU read-side critical section has started. Instances of `synchronize_rcu()` that are waiting on older RCU read-side critical sections will thus know to ignore this new one. Finally, line 14 executes a memory barrier, which prevents subsequent code (including a possible RCU read-side critical section) from being re-ordered with the lines 12-13.

**Quick Quiz 9.70:** Doesn't the additional memory barrier shown on line 14 of Figure 9.53, greatly increase the overhead of `rcu_quiescent_state`? ■

Some applications might use RCU only occasionally, but use it very heavily when they do use it. Such applications might choose to use `rcu_thread_online()` when starting to use RCU and `rcu_thread_offline()` when no longer using RCU. The time between a call to `rcu_thread_offline()` and a subsequent call to `rcu_thread_online()` is an extended quiescent state, so that RCU will not expect explicit quiescent states to be registered during this time.

The `rcu_thread_offline()` function simply sets the per-thread `rcu_reader_`

```

1 void synchronize_rcu(void)
2 {
3     int t;
4
5     smp_mb();
6     spin_lock(&rcu_gp_lock);
7     rcu_gp_ctr += 2;
8     smp_mb();
9     for_each_thread(t) {
10         while (rcu_gp_ongoing(t) &&
11                ((per_thread(rcu_reader_qs_gp, t) -
12                 rcu_gp_ctr) < 0)) {
13             poll(NULL, 0, 10);
14         }
15     }
16     spin_unlock(&rcu_gp_lock);
17     smp_mb();
18 }

```

Figure 9.54: RCU Update Side Using Quiescent States

`qs_gp` variable to the current value of `rcu_gp_ctr`, which has an even-numbered value. Any concurrent instances of `synchronize_rcu()` will thus know to ignore this thread.

**Quick Quiz 9.71:** Why are the two memory barriers on lines 19 and 22 of Figure 9.53 needed? ■

The `rcu_thread_online()` function simply invokes `rcu_quiescent_state()`, thus marking the end of the extended quiescent state.

Figure 9.54 (`rcu_qs.c`) shows the implementation of `synchronize_rcu()`, which is quite similar to that of the preceding sections.

This implementation has blazingly fast read-side primitives, with an `rcu_read_lock()-rcu_read_unlock()` round trip incurring an overhead of roughly 50 *picoseconds*. The `synchronize_rcu()` overhead ranges from about 600 nanoseconds on a single-CPU Power5 system up to more than 100 microseconds on a 64-CPU system.

**Quick Quiz 9.72:** To be sure, the clock frequencies of Power systems in 2008 were quite high, but even a 5GHz clock frequency is insufficient to allow loops to be executed in 50 picoseconds! What is going on here? ■

However, this implementation requires that each thread either invoke `rcu_quiescent_state()` periodically or to invoke `rcu_thread_offline()` for extended quiescent states. The need to invoke these functions periodically can make this implementation difficult to use in some situations, such as for certain types of library functions.

**Quick Quiz 9.73:** Why would the fact that the code is in a library make any difference for how easy it is to use the RCU implementation shown in Figures 9.53 and 9.54? ■

**Quick Quiz 9.74:** But what if you hold a lock across a call to `synchronize_rcu()`, and then acquire that same lock within an RCU read-side critical section? This should be a deadlock, but how can a primitive that generates absolutely no code possibly participate in a deadlock cycle? ■

In addition, this implementation does not permit concurrent calls to `synchronize_rcu()` to share grace periods. That said, one could easily imagine a production-quality RCU implementation based on this version of RCU.

### 9.3.5.10 Summary of Toy RCU Implementations

If you made it this far, congratulations! You should now have a much clearer understanding not only of RCU itself, but also of the requirements of enclosing software environments and applications. Those wishing an even deeper understanding are invited to read Appendix D, which presents some RCU implementations that have seen extensive use in production.

The preceding sections listed some desirable properties of the various RCU primitives. The following list is provided for easy reference for those wishing to create a new RCU implementation.

1. There must be read-side primitives (such as `rcu_read_lock()` and `rcu_read_unlock()`) and grace-period primitives (such as `synchronize_rcu()` and `call_rcu()`), such that any RCU read-side critical section in existence at the start of a grace period has completed by the end of the grace period.
2. RCU read-side primitives should have minimal overhead. In particular, expensive operations such as cache misses, atomic instructions, memory barriers, and branches should be avoided.
3. RCU read-side primitives should have  $O(1)$  computational complexity to enable real-time use. (This implies that readers run concurrently with updaters.)
4. RCU read-side primitives should be usable in all contexts (in the Linux kernel, they are permitted everywhere except in the idle loop). An important special case is that RCU read-side primitives be usable within an RCU read-side critical section, in other words, that it be possible to nest RCU read-side critical sections.
5. RCU read-side primitives should be unconditional, with no failure returns. This property is extremely important, as failure checking increases complexity and complicates testing and validation.
6. Any operation other than a quiescent state (and thus a grace period) should be permitted in an RCU read-side critical section. In particular, irrevocable operations such as I/O should be permitted.
7. It should be possible to update an RCU-protected data structure while executing within an RCU read-side critical section.
8. Both RCU read-side and update-side primitives should be independent of memory allocator design and implementation, in other words, the same RCU implementation should be able to protect a given data structure regardless of how the data elements are allocated and freed.
9. RCU grace periods should not be blocked by threads that halt outside of RCU read-side critical sections. (But note that most quiescent-state-based implementations violate this desideratum.)

**Quick Quiz 9.75:** Given that grace periods are prohibited within RCU read-side critical sections, how can an RCU data structure possibly be updated while in an RCU read-side critical section? ■

	Existence Guarantee	Updates and Readers Progress Concurrently	Read-Side Overhead	Bulk Reference	Low Memory Footprint	Unconditional Acquisition	Non-Blocking Updates
Reference Counting	Y		++ → atomic †		Y		?
Hazard Pointers	Y		MB †		Y		Y
Sequence Locks		Y	2 MB ‡	N/A	N/A		
RCU	Y		0 → 2 MB	Y		Y	

†Incurred on each element traversed on each retry

‡Incurred on each retry

atomic: Atomic operation

MB: Memory barrier

Table 9.7: Which Deferred Technique to Choose?

### 9.3.6 RCU Exercises

This section is organized as a series of Quick Quizzes that invite you to apply RCU to a number of examples earlier in this book. The answer to each Quick Quiz gives some hints, and also contains a pointer to a later section where the solution is explained at length. The `rcu_read_lock()`, `rcu_read_unlock()`, `rcu_dereference()`, `rcu_assign_pointer()`, and `synchronize_rcu()` primitives should suffice for most of these exercises.

**Quick Quiz 9.76:** The statistical-counter implementation shown in Figure 5.9 (`count_end.c`) used a global lock to guard the summation in `read_count()`, which resulted in poor performance and negative scalability. How could you use RCU to provide `read_count()` with excellent performance and good scalability. (Keep in mind that `read_count()`'s scalability will necessarily be limited by its need to scan all threads' counters.) ■

**Quick Quiz 9.77:** Section 5.5 showed a fanciful pair of code fragments that dealt with counting I/O accesses to removable devices. These code fragments suffered from high overhead on the fastpath (starting an I/O) due to the need to acquire a reader-writer lock. How would you use RCU to provide excellent performance and scalability? (Keep in mind that the performance of the common-case first code fragment that does I/O accesses is much more important than that of the device-removal code fragment.) ■

## 9.4 Which to Choose?

Table 9.7 provides some rough rules of thumb that can help you choose among the four deferred-processing techniques presented in this chapter.

As shown in the “Existence Guarantee” column, if you need existence guarantees for linked data elements, you must use reference counting, hazard pointers, or RCU. Sequence locks do not provide existence guarantees, instead providing detection of



updates, retrying any read-side critical sections that do encounter an update.

Of course, as shown in the “Updates and Readers Progress Concurrently” column, this detection of updates implies that sequence locking does not permit updates and readers to make forward progress concurrently. After all, preventing such forward progress is the whole point of using sequence locking in the first place! This situation points the way to using sequence locking in conjunction with reference counting, hazard pointers, or RCU in order to provide both existence guarantees and update detection. In fact, the Linux kernel combines RCU and sequence locking in this manner during pathname lookup.

The “Read-Side Overhead” column gives a rough sense of the read-side overhead of these techniques. The overhead of reference counting can vary widely. At the low end, a simple non-atomic increment suffices, at least in the case where the reference is acquired under the protection of a lock that must be acquired for other reasons. At the high end, a fully ordered atomic operation is required. Reference counting incurs this overhead on each and every data element traversed. Hazard pointers incur the overhead of a memory barrier for each data element traversed, and sequence locks incur the overhead of a pair of memory barriers for each attempt to execute the critical section. The overhead of RCU implementations vary from nothing to that of a pair of memory barriers for each read-side critical section, thus providing RCU with the best performance, particularly for read-side critical sections that traverse many data elements.

The “Bulk Reference” column indicates that only RCU is capable of acquiring multiple references with constant overhead. The entry for sequence locks is “N/A” because, again, sequence locks detect updates rather than acquiring references.

**Quick Quiz 9.78:** But can't both reference counting and hazard pointers also acquire a reference to multiple data elements with constant overhead? A single reference count can cover multiple data elements, right? ■

The “Low Memory Footprint” column indicates which techniques enjoy low memory footprint. This column ends up being the mirror image of the “Bulk Reference” column: The ability to acquire references on large numbers of data elements implies that all these data elements must persist, which in turn implies a large memory footprint in some cases. For example, one thread might delete a large number of data elements while another thread concurrently executes a long RCU read-side critical section. Because the read-side critical section could potentially retain a reference to any of the newly deleted data elements, all those data elements must be retained for the full duration of that critical section. In contrast, reference counting and hazard pointers would retain only those specific data elements actually referenced by concurrent readers.

However, this low-memory-footprint advantage comes at a price, as shown in the “Unconditional Acquisition” column. To see this, imagine a large linked data structure in which a reference-counting or hazard-pointer reader (call it Thread A) holds a reference to an isolated data element in the middle of that structure. Consider the following sequence of events:

1. Thread B removes the data element referenced by Thread A. Because of this reference, the data element cannot yet be freed.
2. Thread B removes all the data elements adjacent to the one referenced by Thread A. Because there are no references held for these data elements, they are all immediately freed. Because Thread A's data element has already been removed, its outgoing pointers are not updated.

3. All of Thread A's data element's outgoing pointers now reference the freelist, and therefore cannot safely be traversed.
4. The reference-counting or hazard-pointer implementation therefore has no choice but to fail any attempt by Thread A to acquire a reference via any of the pointers emanating from its data element.

In short, any deferred-processing technique that offers precise tracking of references must also be prepared to fail attempts to acquire references. Therefore, RCU's memory-footprint disadvantage implies an ease-of-use advantage, namely that RCU readers need not deal with acquisition failure.

This tension between memory footprint, precise tracking, and acquisition failures is sometimes resolved within the Linux kernel by combining use of RCU and reference counters. RCU is used for short-lived references, which means that RCU read-side critical sections can be short. These short RCU read-side critical sections in turn mean that the corresponding RCU grace periods can also be short, limiting the memory footprint. For the few data elements that need longer-lived references, reference counting is used. This means that the complexity of reference-acquisition failure only needs to be dealt with for those few data elements: The bulk of the reference acquisitions are unconditional, courtesy of RCU.

Finally, the "Non-Blocking Updates" column shows that hazard pointers can provide non-blocking updates [Mic04, HLM02]. Reference counting might or might not, depending on the implementation. However, sequence locking cannot provide non-blocking updates, courtesy of its update-side lock. RCU updaters must wait on readers, which also rules out fully non-blocking updates. However, there are situations in which the only blocking operation is a wait to free memory, which results in an situation that, for many purposes, is as good as non-blocking [DMS<sup>+</sup>12].

As more experience is gained using these techniques, both separately and in combination, the rules of thumb laid out in this section will need to be refined. However, this section does reflect the current state of the art.

## 9.5 What About Updates?

The deferred-processing techniques called out in this chapter are most directly applicable to read-mostly situations, which begs the question "But what about updates?" After all, increasing the performance and scalability of readers is all well and good, but it is only natural to also want great performance and scalability for writers.

We have already seen one situation featuring high performance and scalability for writers, namely the counting algorithms surveyed in Chapter 5. These algorithms featured partially partitioned data structures so that updates can operate locally, while the more-expensive reads must sum across the entire data structure. Silas Boyd-Wickhizer has generalized this notion to produce OpLog, which he has applied to Linux-kernel pathname lookup, VM reverse mappings, and the `stat()` system call [BW14].

Another approach, called "Disruptor," is designed for applications that process high-volume streams of input data. The approach is to rely on single-producer-single-consumer FIFO queues, minimizing the need for synchronization [Sut13]. For Java applications, Disruptor also has the virtue of minimizing use of the garbage collector.

And of course, where feasible, fully partitioned or "sharded" systems provide excellent performance and scalability, as noted in Chapter 6.

The next chapter will look at updates in the context of several types of data structures.



# Chapter 10

## Data Structures

Efficient access to data is critically important, so that discussions of algorithms include time complexity of the related data structures [CLRS01]. However, for parallel programs, measures of time complexity must also include concurrency effects. These effects can be overwhelmingly large, as shown in Chapter 3, which means that concurrent data structure designs must focus as much on concurrency as they do on sequential time complexity.

Section 10.1 presents a motivating application that will be used to evaluate the data structures presented in this chapter.

As discussed in Chapter 6, an excellent way to achieve high scalability is partitioning. This points the way to partitionable data structures, a topic taken up by Section 10.2. Chapter 9 described how deferring some actions can greatly improve both performance and scalability. Section 9.3 in particular showed how to tap the awesome power of procrastination in pursuit of performance and scalability, a topic taken up by Section 10.3.

Not all data structures are partitionable. Section 10.4 looks at a mildly non-partitionable example data structure. This section shows how to split it into read-mostly and partitionable portions, enabling a fast and scalable implementation.

Because this chapter cannot delve into the details of every concurrent data structure that has ever been used Section 10.5 provides a brief survey of the most common and important ones. Although the best performance and scalability results design rather than after-the-fact micro-optimization, it is nevertheless the case that micro-optimization has an important place in achieving the absolute best possible performance and scalability. This topic is therefore taken up in Section 10.6.

Finally, Section 10.7 presents a summary of this chapter.

### 10.1 Motivating Application

We will use the Schrödinger's Zoo application to evaluate performance [McK13]. Schrödinger has a zoo containing a large number of animals, and he would like to track them using an in-memory database with each animal in the zoo represented by a data item in this database. Each animal has a unique name that is used as a key, with a variety of data tracked for each animal.

Births, captures, and purchases result in insertions, while deaths, releases, and sales result in deletions. Because Schrödinger's zoo contains a large quantity of short-lived

animals, including mice and insects, the database must be able to support a high update rate.

Those interested in Schrödinger's animals can query them, however, Schrödinger has noted extremely high rates of queries for his cat, so much so that he suspects that his mice might be using the database to check up on their nemesis. This means that Schrödinger's application must be able to support a high rate of queries to a single data element.

Please keep this application in mind as various data structures are presented.

## 10.2 Partitionable Data Structures

There are a huge number of data structures in use today, so much so that there are multiple textbooks covering them. This small section focuses on a single data structure, namely the hash table. This focused approach allows a much deeper investigation of how concurrency interacts with data structures, and also focuses on a data structure that is heavily used in practice. Section 10.2.1 overviews of the design, and Section 10.2.2 presents the implementation. Finally, Section 10.2.3 discusses the resulting performance and scalability.

### 10.2.1 Hash-Table Design

Chapter 6 emphasized the need to apply partitioning in order to attain respectable performance and scalability, so partitionability must be a first-class criterion when selecting data structures. This criterion is well satisfied by that workhorse of parallelism, the hash table. Hash tables are conceptually simple, consisting of an array of *hash buckets*. A *hash function* maps from a given element's *key* to the hash bucket that this element will be stored in. Each hash bucket therefore heads up a linked list of elements, called a *hash chain*. When properly configured, these hash chains will be quite short, permitting a hash table to access the element with a given key extremely efficiently.

**Quick Quiz 10.1:** But there are many types of hash tables, of which the chained hash tables described here are but one type. Why the focus on chained hash tables? ■

In addition, each bucket can be given its own lock, so that elements in different buckets of the hash table may be added, deleted, and looked up completely independently. A large hash table containing a large number of elements therefore offers excellent scalability.

### 10.2.2 Hash-Table Implementation

Figure 10.1 (`hash_bkt.c`) shows a set of data structures used in a simple fixed-sized hash table using chaining and per-hash-bucket locking, and Figure 10.2 diagrams how they fit together. The `hashtab` structure (lines 11-14 in Figure 10.1) contains four `ht_bucket` structures (lines 6-9 in Figure 10.1), with the `->bt_nbuckets` field controlling the number of buckets. Each such bucket contains a list header `->htb_head` and a lock `->htb_lock`. The list headers chain `ht_elem` structures (lines 1-4 in Figure 10.1) through their `->hte_next` fields, and each `ht_elem` structure also caches the corresponding element's hash value in the `->hte_hash` field. The `ht_elem` structure would be included in the larger structure being placed in the hash table, and this larger structure might contain a complex key.

```

1 struct ht_elem {
2     struct cds_list_head hte_next;
3     unsigned long hte_hash;
4 };
5
6 struct ht_bucket {
7     struct cds_list_head htb_head;
8     spinlock_t htb_lock;
9 };
10
11 struct hashtable {
12     unsigned long ht_nbuckets;
13     struct ht_bucket ht_bkt[0];
14 };

```

Figure 10.1: Hash-Table Data Structures

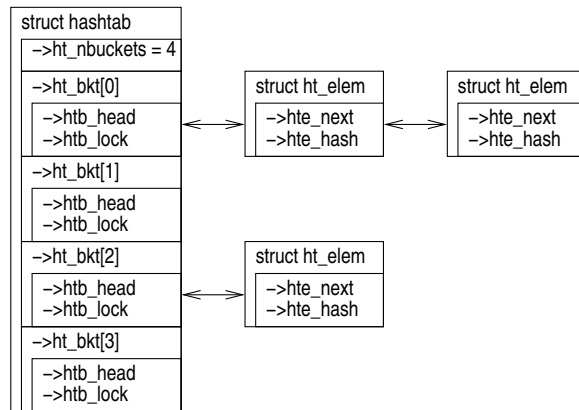


Figure 10.2: Hash-Table Data-Structure Diagram

The diagram shown in Figure 10.2 has bucket 0 with two elements and bucket 2 with one.

Figure 10.3 shows mapping and locking functions. Lines 1 and 2 show the macro `HASH2BKT()`, which maps from a hash value to the corresponding `ht_bucket` structure. This macro uses a simple modulus: if more aggressive hashing is required, the caller needs to implement it when mapping from key to hash value. The remaining two functions acquire and release the `->htb_lock` corresponding to the specified hash value.

Figure 10.4 shows `hashtab_lookup()`, which returns a pointer to the element with the specified hash and key if it exists, or `NULL` otherwise. This function takes both a hash value and a pointer to the key because this allows users of this function to use arbitrary keys and arbitrary hash functions, with the key-comparison function passed in via `cmp()`, in a manner similar to `qsort()`. Line 11 maps from the hash value to a pointer to the corresponding hash bucket. Each pass through the loop spanning line 12-19 examines one element of the bucket's hash chain. Line 15 checks to see if the hash values match, and if not, line 16 proceeds to the next element. Line 17 checks to see if the actual key matches, and if so, line 18 returns a pointer to the matching element. If no element matches, line 20 returns `NULL`.

**Quick Quiz 10.2:** But isn't the double comparison on lines 15-18 in Figure 10.4

```

1 #define HASH2BKT(htp, h) \
2   (&(htp)->ht_bkt[h % (htp)->ht_nbuckets])
3
4 static void hashtab_lock(struct hashtab *htp,
5                          unsigned long hash)
6 {
7   spin_lock(&HASH2BKT(htp, hash)->htb_lock);
8 }
9
10 static void hashtab_unlock(struct hashtab *htp,
11                            unsigned long hash)
12 {
13   spin_unlock(&HASH2BKT(htp, hash)->htb_lock);
14 }

```

Figure 10.3: Hash-Table Mapping and Locking

```

1 struct ht_elem *
2 hashtab_lookup(struct hashtab *htp,
3               unsigned long hash,
4               void *key,
5               int (*cmp)(struct ht_elem *htep,
6                          void *key))
7 {
8   struct ht_bucket *htb;
9   struct ht_elem *htep;
10
11   htb = HASH2BKT(htp, hash);
12   cds_list_for_each_entry(htep,
13                           &htb->htb_head,
14                           hte_next) {
15     if (htep->hte_hash != hash)
16       continue;
17     if (cmp(htep, key))
18       return htep;
19   }
20   return NULL;
21 }

```

Figure 10.4: Hash-Table Lookup

inefficient in the case where the key fits into an unsigned long? ■

Figure 10.5 shows the `hashtab_add()` and `hashtab_del()` functions that add and delete elements from the hash table, respectively.

The `hashtab_add()` function simply sets the element's hash value on line 6, then adds it to the corresponding bucket on lines 7 and 8. The `hashtab_del()` function simply removes the specified element from whatever hash chain it is on, courtesy of the doubly linked nature of the hash-chain lists. Before calling either of these two functions, the caller is required to ensure that no other thread is accessing or modifying this same bucket, for example, by invoking `hashtab_lock()` beforehand.

Figure 10.6 shows `hashtab_alloc()` and `hashtab_free()`, which do hash-table allocation and freeing, respectively. Allocation begins on lines 7-9 with allocation of the underlying memory. If line 10 detects that memory has been exhausted, line 11 returns `NULL` to the caller. Otherwise, line 12 initializes the number of buckets, and the loop spanning lines 13-16 initializes the buckets themselves, including the chain list header on line 14 and the lock on line 15. Finally, line 17 returns a pointer to the newly allocated hash table. The `hashtab_free()` function on lines 20-23 is straightforward.



```

1 void
2 hashtable_add(struct hashtable *htp,
3               unsigned long hash,
4               struct ht_elem *htep)
5 {
6     htep->hte_hash = hash;
7     cds_list_add(&htep->hte_next,
8                 &HASH2BKT(htp, hash)->htb_head);
9 }
10
11 void hashtable_del(struct ht_elem *htep)
12 {
13     cds_list_del_init(&htep->hte_next);
14 }

```

Figure 10.5: Hash-Table Modification

```

1 struct hashtable *
2 hashtable_alloc(unsigned long nbuckets)
3 {
4     struct hashtable *htp;
5     int i;
6
7     htp = malloc(sizeof(*htp) +
8                 nbuckets *
9                 sizeof(struct ht_bucket));
10    if (htp == NULL)
11        return NULL;
12    htp->ht_nbuckets = nbuckets;
13    for (i = 0; i < nbuckets; i++) {
14        CDS_INIT_LIST_HEAD(&htp->ht_bkt[i].htb_head);
15        spin_lock_init(&htp->ht_bkt[i].htb_lock);
16    }
17    return htp;
18 }
19
20 void hashtable_free(struct hashtable *htp)
21 {
22     free(htp);
23 }

```

Figure 10.6: Hash-Table Allocation and Free

### 10.2.3 Hash-Table Performance

The performance results for an eight-CPU 2GHz Intel<sup>®</sup>Xeon<sup>®</sup> system using a bucket-locked hash table with 1024 buckets are shown in Figure 10.7. The performance does scale nearly linearly, but is not much more than half of the ideal performance level, even at only eight CPUs. Part of this shortfall is due to the fact that the lock acquisitions and releases incur no cache misses on a single CPU, but do incur misses on two or more CPUs.

And things only get worse with larger number of CPUs, as can be seen in Figure 10.8. We do not need an additional line to show ideal performance: The performance for nine CPUs and beyond is worse than abysmal. This clearly underscores the dangers of extrapolating performance from a modest number of CPUs.

Of course, one possible reason for the collapse in performance might be that more hash buckets are needed. After all, we did not pad each hash bucket to a full cache line, so there are a number of hash buckets per cache line. It is possible that the resulting cache-thrashing comes into play at nine CPUs. This is of course easy to test

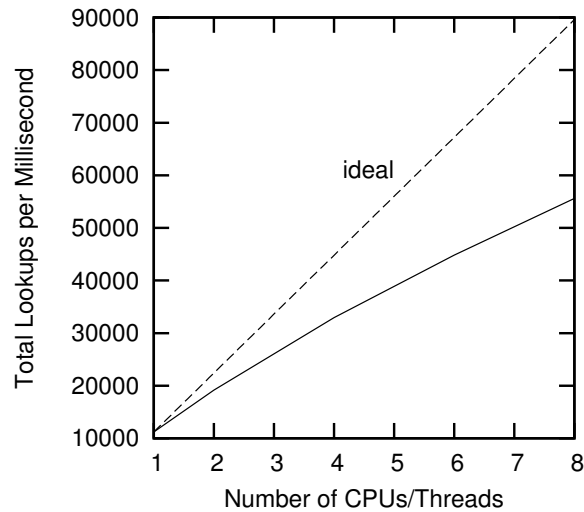


Figure 10.7: Read-Only Hash-Table Performance For Schrödinger’s Zoo

by increasing the number of hash buckets.

**Quick Quiz 10.3:** Instead of simply increasing the number of hash buckets, wouldn’t it be better to cache-align the existing hash buckets? ■

However, as can be seen in Figure 10.9, although increasing the number of buckets does increase performance somewhat, scalability is still abysmal. In particular, we still see a sharp dropoff at nine CPUs and beyond. Furthermore, going from 8192 buckets to 16,384 buckets produced almost no increase in performance. Clearly something else is going on.

The problem is that this is a multi-socket system, with CPUs 0-7 and 32-39 mapped to the first socket as shown in Table 10.1. Test runs confined to the first eight CPUs therefore perform quite well, but tests that involve socket 0’s CPUs 0-7 as well as socket 1’s CPU 8 incur the overhead of passing data across socket boundaries. This can severely degrade performance, as was discussed in Section 3.2.1. In short, large multi-socket systems require good locality of reference in addition to full partitioning.

**Quick Quiz 10.4:** Given the negative scalability of the Schrödinger’s Zoo application across sockets, why not just run multiple copies of the application, with each copy having a subset of the animals and confined to run on a single socket? ■

One key property of the Schrödinger’s-zoo runs discussed thus far is that they are all read-only. This makes the performance degradation due to lock-acquisition-induced cache misses all the more painful. Even though we are not updating the underlying hash table itself, we are still paying the price for writing to memory. Of course, if the hash table was never going to be updated, we could dispense entirely with mutual exclusion. This approach is quite straightforward and is left as an exercise for the reader. But even with the occasional update, avoiding writes avoids cache misses, and allows the read-mostly data to be replicated across all the caches, which in turn promotes locality of reference.

The next section therefore examines optimizations that can be carried out in read-mostly cases where updates are rare, but could happen at any time.

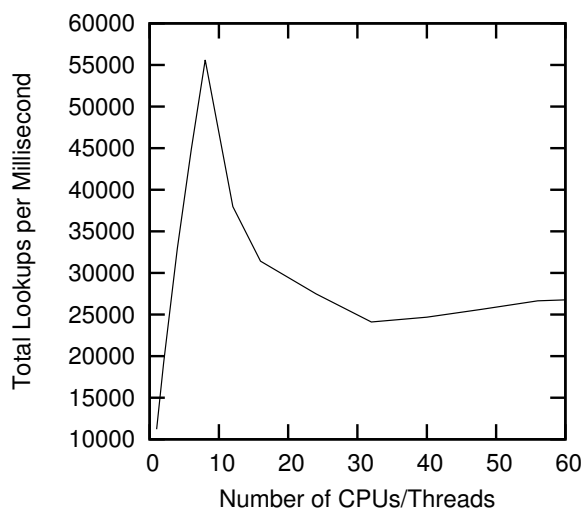


Figure 10.8: Read-Only Hash-Table Performance For Schrödinger’s Zoo, 60 CPUs

Socket	Core							
0	0	1	2	3	4	5	6	7
	32	33	34	35	36	37	38	39
1	8	9	10	11	12	13	14	15
	40	41	42	43	44	45	46	47
2	16	17	18	19	20	21	22	23
	48	49	50	51	52	53	54	55
3	24	25	26	27	28	29	30	31
	56	57	58	59	60	61	62	63

Table 10.1: NUMA Topology of System Under Test

## 10.3 Read-Mostly Data Structures

Although partitioned data structures can offer excellent scalability, NUMA effects can result in severe degradations of both performance and scalability. In addition, the need for readers to exclude writers can degrade performance in read-mostly situations. However, we can achieve both performance and scalability by using RCU, which was introduced in Section 9.3. Similar results can be achieved using hazard pointers (`hazptr.c`) [Mic04], which will be included in the performance results shown in this section [McK13].

### 10.3.1 RCU-Protected Hash Table Implementation

For an RCU-protected hash table with per-bucket locking, updaters use locking exactly as described in Section 10.2, but readers use RCU. The data structures remain as shown in Figure 10.1, and the `HASH2BKT()`, `hashtab_lock()`, and `hashtab_unlock()` functions remain as shown in Figure 10.3. However, readers use the lighter-weight concurrency-control embodied by `hashtab_lock_lookup()` and

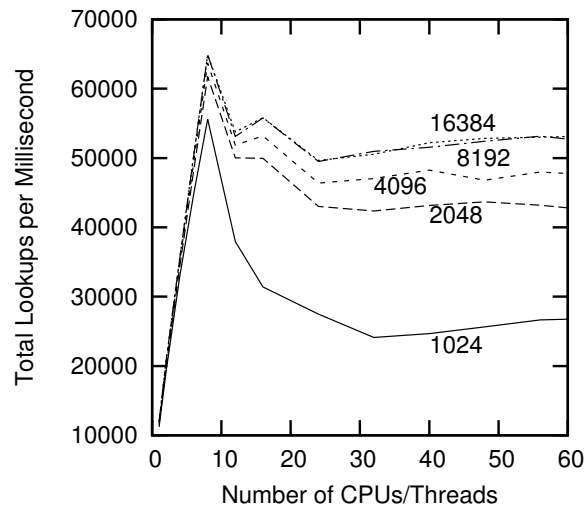


Figure 10.9: Read-Only Hash-Table Performance For Schrödinger’s Zoo, Varying Buckets

```

1 static void hashtable_lock_lookup(struct hashtable *htp,
2                                 unsigned long hash)
3 {
4     rcu_read_lock();
5 }
6
7 static void hashtable_unlock_lookup(struct hashtable *htp,
8                                    unsigned long hash)
9 {
10    rcu_read_unlock();
11 }

```

Figure 10.10: RCU-Protected Hash-Table Read-Side Concurrency Control

hashtable\_unlock\_lookup() shown in Figure 10.10.

Figure 10.11 shows hashtable\_lookup() for the RCU-protected per-bucket-locked hash table. This is identical to that in Figure 10.4 except that cds\_list\_for\_each\_entry() is replaced by cds\_list\_for\_each\_entry\_rcu(). Both of these primitives sequence down the hash chain referenced by htb->htb\_head but cds\_list\_for\_each\_entry\_rcu() also correctly enforces memory ordering in case of concurrent insertion. This is an important difference between these two hash-table implementations: Unlike the pure per-bucket-locked implementation, the RCU protected implementation allows lookups to run concurrently with insertions and deletions, and RCU-aware primitives like cds\_list\_for\_each\_entry\_rcu() are required to correctly handle this added concurrency. Note also that hashtable\_lookup()’s caller must be within an RCU read-side critical section, for example, the caller must invoke hashtable\_lock\_lookup() before invoking hashtable\_lookup() (and of course invoke hashtable\_unlock\_lookup() some time afterwards).

**Quick Quiz 10.5:** But if elements in a hash table can be deleted concurrently with lookups, doesn’t that mean that a lookup could return a reference to a data element that was deleted immediately after it was looked up? ■

```

1 struct ht_elem
2 *hashtab_lookup(struct hashtab *htp,
3                 unsigned long hash,
4                 void *key,
5                 int (*cmp)(struct ht_elem *htep,
6                             void *key))
7 {
8     struct ht_bucket *htb;
9     struct ht_elem *htep;
10
11     htb = HASH2BKT(htp, hash);
12     cds_list_for_each_entry_rcu(htep,
13                                 &htb->htb_head,
14                                 hte_next) {
15         if (htep->hte_hash != hash)
16             continue;
17         if (cmp(htep, key))
18             return htep;
19     }
20     return NULL;
21 }

```

Figure 10.11: RCU-Protected Hash-Table Lookup

```

1 void
2 hashtab_add(struct hashtab *htp,
3             unsigned long hash,
4             struct ht_elem *htep)
5 {
6     htep->hte_hash = hash;
7     cds_list_add_rcu(&htep->hte_next,
8                     &HASH2BKT(htp, hash)->htb_head);
9 }
10
11 void hashtab_del(struct ht_elem *htep)
12 {
13     cds_list_del_rcu(&htep->hte_next);
14 }

```

Figure 10.12: RCU-Protected Hash-Table Modification

Figure 10.12 shows `hashtab_add()` and `hashtab_del()`, both of which are quite similar to their counterparts in the non-RCU hash table shown in Figure 10.5. The `hashtab_add()` function uses `cds_list_add_rcu()` instead of `cds_list_add()` in order to ensure proper ordering when an element is added to the hash table at the same time that it is being looked up. The `hashtab_del()` function uses `cds_list_del_rcu()` instead of `cds_list_del_init()` to allow for the case where an element is looked up just before it is deleted. Unlike `cds_list_del_init()`, `cds_list_del_rcu()` leaves the forward pointer intact, so that `hashtab_lookup()` can traverse to the newly deleted element's successor.

Of course, after invoking `hashtab_del()`, the caller must wait for an RCU grace period (e.g., by invoking `synchronize_rcu()`) before freeing or otherwise reusing the memory for the newly deleted element.

### 10.3.2 RCU-Protected Hash Table Performance

Figure 10.13 shows the read-only performance of RCU-protected and hazard-pointer-protected hash tables against the previous section's per-bucket-locked implementation. As you can see, both RCU and hazard pointers achieve near-ideal performance and

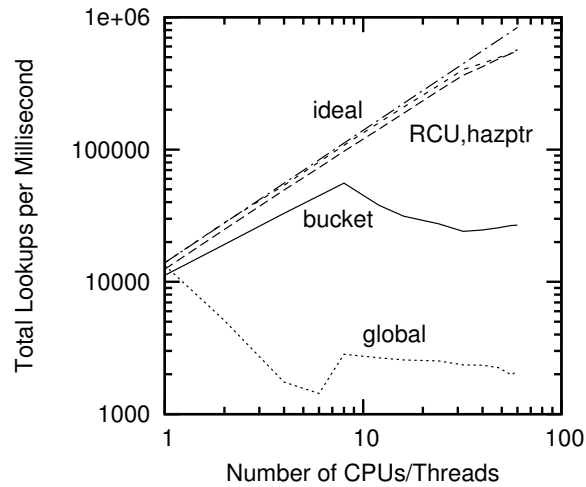


Figure 10.13: Read-Only RCU-Protected Hash-Table Performance For Schrödinger's Zoo

scalability despite the larger numbers of threads and the NUMA effects. Results from a globally locked implementation are also shown, and as expected the results are even worse than those of the per-bucket-locked implementation. RCU does slightly better than hazard pointers, but the difference is not readily visible in this log-scale plot.

Figure 10.14 shows the same data on a linear scale. This drops the global-locking trace into the x-axis, but allows the relative performance of RCU and hazard pointers to be more readily discerned. Both show a change in slope at 32 CPUs, and this is due to hardware multithreading. At 32 and fewer CPUs, each thread has a core to itself. In this regime, RCU does better than does hazard pointers because hazard pointers's read-side memory barriers result in dead time within the core. In short, RCU is better able to utilize a core from a single hardware thread than is hazard pointers.

This situation changes above 32 CPUs. Because RCU is using more than half of each core's resources from a single hardware thread, RCU gains relatively little benefit from the second hardware thread in each core. The slope of hazard pointers's trace also decreases at 32 CPUs, but less dramatically, because the second hardware thread is able to fill in the time that the first hardware thread is stalled due to memory-barrier latency. As we will see in later sections, hazard pointers's second-hardware-thread advantage depends on the workload.

As noted earlier, Schrödinger is surprised by the popularity of his cat [Sch35], but recognizes the need to reflect this popularity in his design. Figure 10.15 shows the results of 60-CPU runs, varying the number of CPUs that are doing nothing but looking up the cat. Both RCU and hazard pointers respond well to this challenge, but bucket locking scales negatively, eventually performing even worse than global locking. This should not be a surprise because if all CPUs are doing nothing but looking up the cat, the lock corresponding to the cat's bucket is for all intents and purposes a global lock.

This cat-only benchmark illustrates one potential problem with fully partitioned sharding approaches. Only the CPUs associated with the cat's partition is able to access the cat, limiting the cat-only throughput. Of course, a great many applications have good load-spreading properties, and for these applications sharding works quite well.

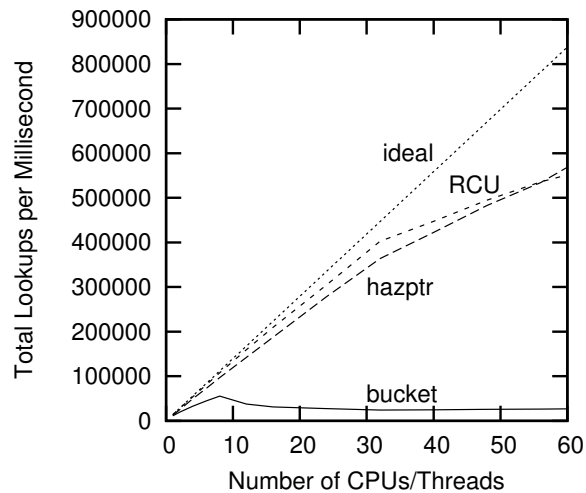


Figure 10.14: Read-Only RCU-Protected Hash-Table Performance For Schrödinger’s Zoo, Linear Scale

However, sharding does not handle “hot spots” very well, with the hot spot exemplified by Schrödinger’s cat being but one case in point.

Of course, if we were only ever going to read the data, we would not need any concurrency control to begin with. Figure 10.16 therefore shows the effect of updates. At the extreme left-hand side of this graph, all 60 CPUs are doing lookups, while to the right all 60 CPUs are doing updates. For all four implementations, the number of lookups per millisecond decreases as the number of updating CPUs increases, of course reaching zero lookups per millisecond when all 60 CPUs are updating. RCU does well relative to hazard pointers due to the fact that hazard pointers’s read-side memory barriers incur greater overhead in the presence of updates. It therefore seems likely that modern hardware heavily optimizes memory-barrier execution, greatly reducing memory-barrier overhead in the read-only case.

Where Figure 10.16 showed the effect of increasing update rates on lookups, Figure 10.17 shows the effect of increasing update rates on the updates themselves. Hazard pointers and RCU start off with a significant advantage because, unlike bucket locking, readers do not exclude updaters. However, as the number of updating CPUs increases, update-side overhead starts to make its presence known, first for RCU and then for hazard pointers. Of course, all three of these implementations fare much better than does global locking.

Of course, it is quite possible that the differences in lookup performance is affected by the differences in update rates. One way to check this is to artificially throttle the update rates of per-bucket locking and hazard pointers to match that of RCU. Doing so does not significantly improve the lookup performance of per-bucket locking, nor does it close the gap between hazard pointers and RCU. However, removing hazard pointers’s read-side memory barriers (thus resulting in an unsafe implementation of hazard pointers) does nearly close the gap between hazard pointers and RCU. Although this unsafe hazard-pointer implementation will usually be reliable enough for benchmarking purposes, it is absolutely not recommended for production use.

**Quick Quiz 10.6:** The dangers of extrapolating from eight CPUs to 60 CPUs was

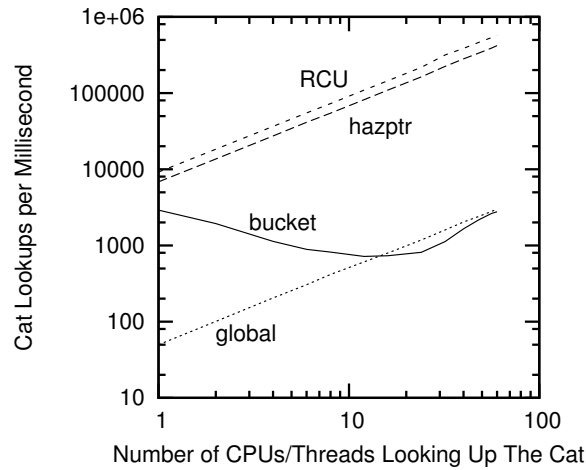


Figure 10.15: Read-Side Cat-Only RCU-Protected Hash-Table Performance For Schrödinger’s Zoo at 60 CPUs

made quite clear in Section 10.2.3. But why should extrapolating up from 60 CPUs be any safer? ■

### 10.3.3 RCU-Protected Hash Table Discussion

One consequence of the RCU and hazard-pointer implementations is that a pair of concurrent readers might disagree on the state of the cat. For example, one of the readers might have fetched the pointer to the cat’s data structure just before it was removed, while another reader might have fetched this same pointer just afterwards. The first reader would then believe that the cat was alive, while the second reader would believe that the cat was dead.

Of course, this situation is completely fitting for Schrödinger’s cat, but it turns out that it is quite reasonable for normal non-quantum cats as well.

The reason for this is that it is impossible to determine exactly when an animal is born or dies.

To see this, let’s suppose that we detect a cat’s death by heartbeat. This raise the question of exactly how long we should wait after the last heartbeat before declaring death. It is clearly ridiculous to wait only one millisecond, because then a healthy living cat would have to be declared dead—and then resurrected—more than once every second. It is equally ridiculous to wait a full month, because by that time the poor cat’s death would have made itself very clearly known via olfactory means.

Because an animal’s heart can stop for some seconds and then start up again, there is a tradeoff between timely recognition of death and probability of false alarms. It is quite possible that a pair of veterinarians might disagree on the time to wait between the last heartbeat and the declaration of death. For example, one veterinarian might declare death thirty seconds after the last heartbeat, while another might insist on waiting a full minute. In this case, the two veterinarians would disagree on the state of the cat for the second period of thirty seconds following the last heartbeat, as fancifully depicted in Figure 10.18.



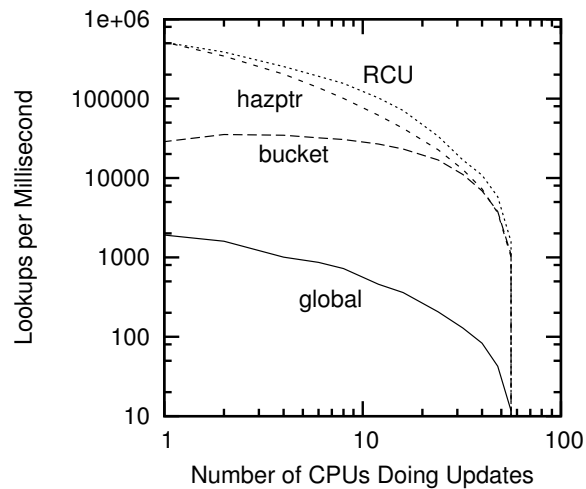


Figure 10.16: Read-Side RCU-Protected Hash-Table Performance For Schrödinger's Zoo at 60 CPUs

Of course, Heisenberg taught us to live with this sort of uncertainty [Hei27], which is a good thing because computing hardware and software acts similarly. For example, how do you know that a piece of computing hardware has failed? Often because it does not respond in a timely fashion. Just like the cat's heartbeat, this results in a window of uncertainty as to whether or not the hardware has failed.

Furthermore, most computing systems are intended to interact with the outside world. Consistency with the outside world is therefore of paramount importance. However, as we saw in Figure 9.26 on page 192, increased internal consistency can come at the expense of external consistency. Techniques such as RCU and hazard pointers give up some degree of internal consistency to attain improved external consistency.

In short, internal consistency is not a natural part of all problem domains, and often incurs great expense in terms of performance, scalability, external consistency, or all of the above.

## 10.4 Non-Partitionable Data Structures

Fixed-size hash tables are perfectly partitionable, but resizable hash tables pose partitioning challenges when growing or shrinking, as fancifully depicted in Figure 10.19. However, it turns out that it is possible to construct high-performance scalable RCU-protected hash tables, as described in the following sections.

### 10.4.1 Resizable Hash Table Design

In happy contrast to the situation in the early 2000s, there are now no fewer than three different types of scalable RCU-protected hash tables. The first (and simplest) was developed for the Linux kernel by Herbert Xu [Xu10], and is described in the following sections. The other two are covered briefly in Section 10.4.4.

The key insight behind the first hash-table implementation is that each data element

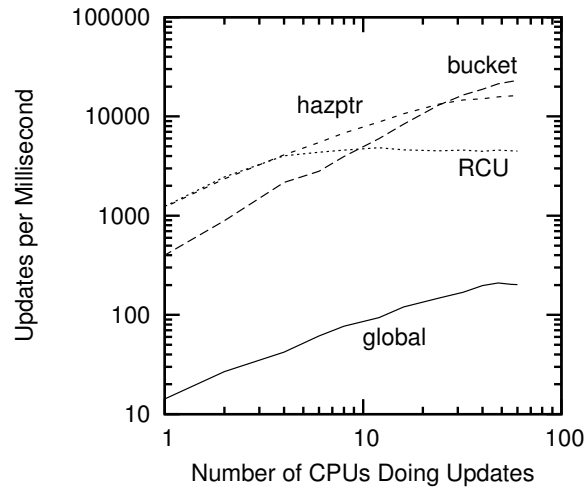


Figure 10.17: Update-Side RCU-Protected Hash-Table Performance For Schrödinger’s Zoo at 60 CPUs



Figure 10.18: Even Veterinarians Disagree!

can have two sets of list pointers, with one set currently being used by RCU readers (as well as by non-RCU updaters) and the other being used to construct a new resized hash table. This approach allows lookups, insertions, and deletions to all run concurrently with a resize operation (as well as with each other).

The resize operation proceeds as shown in Figures 10.20-10.23, with the initial two-bucket state shown in Figure 10.20 and with time advancing from figure to figure. The initial state uses the zero-index links to chain the elements into hash buckets. A four-bucket array is allocated, and the one-index links are used to chain the elements into these four new hash buckets. This results in state (b) shown in Figure 10.21, with readers still using the original two-bucket array.

The new four-bucket array is exposed to readers and then a grace-period operation waits for all readers, resulting in state (c), shown in Figure 10.22. In this state, all

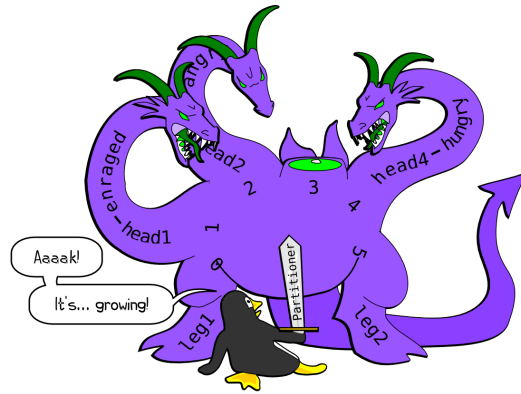


Figure 10.19: Partitioning Problems

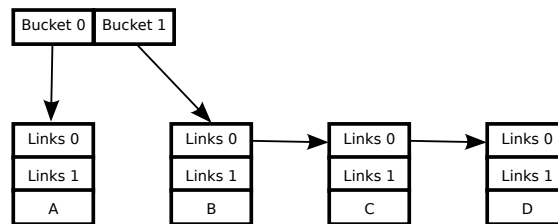


Figure 10.20: Growing a Double-List Hash Table, State (a)

readers are using the new four-bucket array, which means that the old two-bucket array may now be freed, resulting in state (d), shown in Figure 10.23.

This design leads to a relatively straightforward implementation, which is the subject of the next section.

## 10.4.2 Resizable Hash Table Implementation

Resizing is accomplished by the classic approach of inserting a level of indirection, in this case, the `ht` structure shown on lines 12-25 of Figure 10.24. The `hashtab` structure shown on lines 27-30 contains only a pointer to the current `ht` structure along with a spinlock that is used to serialize concurrent attempts to resize the hash table. If we were to use a traditional lock- or atomic-operation-based implementation, this `hashtab` structure could become a severe bottleneck from both performance and scalability viewpoints. However, because resize operations should be relatively infrequent, we should be able to make good use of RCU.

The `ht` structure represents a specific size of the hash table, as specified by the `->ht_nbuckets` field on line 13. The size is stored in the same structure containing the array of buckets (`->ht_bkt[]` on line 24) in order to avoid mismatches between the size and the array. The `->ht_resize_cur` field on line 14 is equal to -1 unless a resize operation is in progress, in which case it indicates the index of the bucket whose

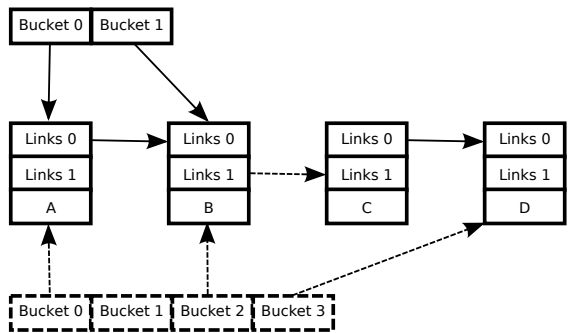


Figure 10.21: Growing a Double-List Hash Table, State (b)

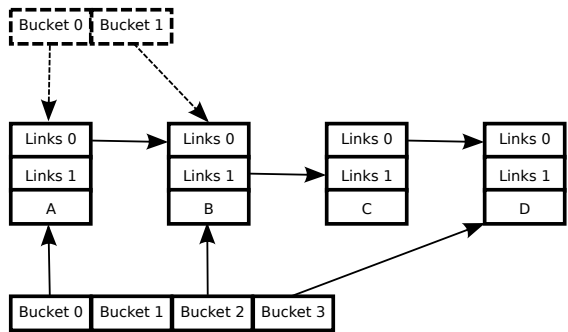


Figure 10.22: Growing a Double-List Hash Table, State (c)

elements are being inserted into the new hash table, which is referenced by the `->ht_new` field on line 15. If there is no resize operation in progress, `->ht_new` is `NULL`. Thus, a resize operation proceeds by allocating a new `ht` structure and referencing it via the `->ht_new` pointer, then advancing `->ht_resize_cur` through the old table's buckets. When all the elements have been added to the new table, the new table is linked into the `hashtab` structure's `->ht_cur` field. Once all old readers have completed, the old hash table's `ht` structure may be freed.

The `->ht_idx` field on line 16 indicates which of the two sets of list pointers are being used by this instantiation of the hash table, and is used to index the `->ht_element[]` array in the `ht_bucket` structure on line 3.

The `->ht_hash_private`, `->ht_cmp()`, `->ht_gethash()`, and `->ht_getkey()` fields on lines 17-23 collectively define the per-element key and the hash function. The `->ht_hash_private` allows the hash function to be perturbed [McK90a, McK90b, McK91], which can be used to avoid denial-of-service attacks based on statistical estimation of the parameters used in the hash function. The `->ht_cmp()` function compares a specified key with that of the specified element, the `->ht_gethash()` calculates the specified key's hash, and `->ht_getkey()` extracts the key from the enclosing data element.

The `ht_bucket` structure is the same as before, and the `ht_element` structure differs

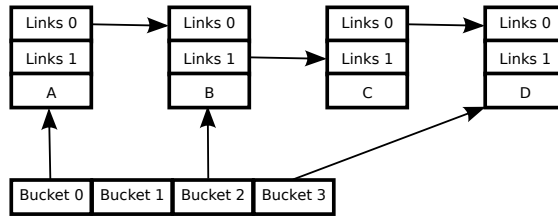


Figure 10.23: Growing a Double-List Hash Table, State (d)

```

1 struct ht_elem {
2     struct rcu_head rh;
3     struct cds_list_head hte_next[2];
4     unsigned long hte_hash;
5 };
6
7 struct ht_bucket {
8     struct cds_list_head htb_head;
9     spinlock_t htb_lock;
10 };
11
12 struct ht {
13     long ht_nbuckets;
14     long ht_resize_cur;
15     struct ht *ht_new;
16     int ht_idx;
17     void *ht_hash_private;
18     int (*ht_cmp)(void *hash_private,
19                 struct ht_elem *htep,
20                 void *key);
21     long (*ht_gethash)(void *hash_private,
22                       void *key);
23     void *(*ht_getkey)(struct ht_elem *htep);
24     struct ht_bucket ht_bkt[0];
25 };
26
27 struct hashtab {
28     struct ht *ht_cur;
29     spinlock_t ht_lock;
30 };

```

Figure 10.24: Resizable Hash-Table Data Structures

from that of previous implementations only in providing a two-element array of list pointer sets in place of the prior single set of list pointers.

In a fixed-sized hash table, bucket selection is quite straightforward: Simply transform the hash value to the corresponding bucket index. In contrast, when resizing, it is also necessary to determine which of the old and new sets of buckets to select from. If the bucket that would be selected from the old table has already been distributed into the new table, then the bucket should be selected from the new table. Conversely, if the bucket that would be selected from the old table has not yet been distributed, then the bucket should be selected from the old table.

Bucket selection is shown in Figure 10.25, which shows `ht_get_bucket_single()` on lines 1-8 and `ht_get_bucket()` on lines 10-24. The `ht_get_bucket_single()` function returns a reference to the bucket corresponding to the specified key in the specified hash table, without making any allowances for resizing. It also stores the hash value corresponding to the key into the location referenced by

```

1 static struct ht_bucket *
2 ht_get_bucket_single(struct ht *htp,
3                     void *key, long *b)
4 {
5     *b = htp->ht_gethash(htp->ht_hash_private,
6                         key) % htp->ht_nbuckets;
7     return &htp->ht_bkt[*b];
8 }
9
10 static struct ht_bucket *
11 ht_get_bucket(struct ht **htp, void *key,
12              long *b, int *i)
13 {
14     struct ht_bucket *htbp;
15
16     htbp = ht_get_bucket_single(*htp, key, b);
17     if (*b <= (*htp)->ht_resize_cur) {
18         *htp = (*htp)->ht_new;
19         htbp = ht_get_bucket_single(*htp, key, b);
20     }
21     if (i)
22         *i = (*htp)->ht_idx;
23     return htbp;
24 }

```

Figure 10.25: Resizable Hash-Table Bucket Selection

parameter `b` on lines 5 and 6. Line 7 then returns a reference to the corresponding bucket.

The `ht_get_bucket()` function handles hash-table selection, invoking `ht_get_bucket_single()` on line 16 to select the bucket corresponding to the hash in the current hash table, storing the hash value through parameter `b`. If line 17 determines that the table is being resized and that line 16's bucket has already been distributed across the new hash table, then line 18 selects the new hash table and line 19 selects the bucket corresponding to the hash in the new hash table, again storing the hash value through parameter `b`.

**Quick Quiz 10.7:** The code in Figure 10.25 computes the hash twice! Why this blatant inefficiency? ■

If line 21 finds that parameter `i` is non-NULL, then line 22 stores the pointer-set index for the selected hash table. Finally, line 23 returns a reference to the selected hash bucket.

**Quick Quiz 10.8:** How does the code in Figure 10.25 protect against the resizing process progressing past the selected bucket? ■

This implementation of `ht_get_bucket_single()` and `ht_get_bucket()` will permit lookups and modifications to run concurrently with a resize operation.

Read-side concurrency control is provided by RCU as was shown in Figure 10.10, but the update-side concurrency-control functions `hashtab_lock_mod()` and `hashtab_unlock_mod()` must now deal with the possibility of a concurrent resize operation as shown in Figure 10.26.

The `hashtab_lock_mod()` spans lines 1-19 in the figure. Line 9 enters an RCU read-side critical section to prevent the data structures from being freed during the traversal, line 10 acquires a reference to the current hash table, and then line 11 obtains a reference to the bucket in this hash table corresponding to the key. Line 12 acquires that bucket's lock, which will prevent any concurrent resizing operation from distributing that bucket, though of course it will have no effect if the resizing operation has already distributed this bucket. Line 13 then checks to see if a concurrent resize operation has

```

1 void hashtable_lock_mod(struct hashtable *htp_master,
2                         void *key)
3 {
4     long b;
5     struct ht *htp;
6     struct ht_bucket *htbp;
7     struct ht_bucket *htbp_new;
8
9     rcu_read_lock();
10    htp = rcu_dereference(htp_master->ht_cur);
11    htbp = ht_get_bucket_single(htp, key, &b);
12    spin_lock(&htbp->htb_lock);
13    if (b > htp->ht_resize_cur)
14        return;
15    htp = htp->ht_new;
16    htbp_new = ht_get_bucket_single(htp, key, &b);
17    spin_lock(&htbp_new->htb_lock);
18    spin_unlock(&htbp->htb_lock);
19 }
20
21 void hashtable_unlock_mod(struct hashtable *htp_master,
22                           void *key)
23 {
24     long b;
25     struct ht *htp;
26     struct ht_bucket *htbp;
27
28    htp = rcu_dereference(htp_master->ht_cur);
29    htbp = ht_get_bucket(&htp, key, &b, NULL);
30    spin_unlock(&htbp->htb_lock);
31    rcu_read_unlock();
32 }

```

Figure 10.26: Resizable Hash-Table Update-Side Concurrency Control

already distributed this bucket across the new hash table, and if not, line 14 returns with the selected hash bucket’s lock held (and also within an RCU read-side critical section).

Otherwise, a concurrent resize operation has already distributed this bucket, so line 15 proceeds to the new hash table and line 16 selects the bucket corresponding to the key. Finally, line 17 acquires the bucket’s lock and line 18 releases the lock for the old hash table’s bucket. Once again, `hashtable_lock_mod()` exits within an RCU read-side critical section.

**Quick Quiz 10.9:** The code in Figures 10.25 and 10.26 compute the hash and execute the bucket-selection logic twice for updates! Why this blatant inefficiency? ■

The `hashtable_unlock_mod()` function releases the lock acquired by `hashtable_lock_mod()`. Line 28 picks up the current hash table, and then line 29 invokes `ht_get_bucket()` in order to gain a reference to the bucket that corresponds to the key—and of course this bucket might well in a new hash table. Line 30 releases the bucket’s lock and finally line 31 exits the RCU read-side critical section.

**Quick Quiz 10.10:** Suppose that one thread is inserting an element into the new hash table during a resize operation. What prevents this insertion to be lost due to a subsequent resize operation completing before the insertion does? ■

Now that we have bucket selection and concurrency control in place, we are ready to search and update our resizable hash table. The `hashtable_lookup()`, `hashtable_add()`, and `hashtable_del()` functions shown in Figure 10.27.

The `hashtable_lookup()` function on lines 1-21 of the figure does hash lookups. Line 11 fetches the current hash table and line 12 obtains a reference to the bucket corresponding to the specified key. This bucket will be located in a new resized hash table when a resize operation has progressed past the bucket in the old hash table that

```

1 struct ht_elem *
2 hashtable_lookup(struct hashtable *htp_master,
3                 void *key)
4 {
5     long b;
6     int i;
7     struct ht *htp;
8     struct ht_elem *htep;
9     struct ht_bucket *htbp;
10
11     htp = rcu_dereference(htp_master->ht_cur);
12     htbp = ht_get_bucket(&htp, key, &b, &i);
13     cds_list_for_each_entry_rcu(htep,
14                                 &htbp->htb_head,
15                                 hte_next[i]) {
16         if (htp->ht_cmp(htp->ht_hash_private,
17                       htep, key))
18             return htep;
19     }
20     return NULL;
21 }
22
23 void
24 hashtable_add(struct hashtable *htp_master,
25              struct ht_elem *htep)
26 {
27     long b;
28     int i;
29     struct ht *htp;
30     struct ht_bucket *htbp;
31
32     htp = rcu_dereference(htp_master->ht_cur);
33     htbp = ht_get_bucket(&htp, htp->ht_getkey(htep),
34                         &b, &i);
35     cds_list_add_rcu(&htep->hte_next[i],
36                    &htbp->htb_head);
37 }
38
39 void
40 hashtable_del(struct hashtable *htp_master,
41              struct ht_elem *htep)
42 {
43     long b;
44     int i;
45     struct ht *htp;
46     struct ht_bucket *htbp;
47
48     htp = rcu_dereference(htp_master->ht_cur);
49     htbp = ht_get_bucket(&htp, htp->ht_getkey(htep),
50                         &b, &i);
51     cds_list_del_rcu(&htep->hte_next[i]);
52 }

```

Figure 10.27: Resizable Hash-Table Access Functions

contained the desired data element. Note that line 12 also passes back the index that will be used to select the correct set of pointers from the pair in each element. The loop spanning lines 13-19 searches the bucket, so that if line 16 detects a match, line 18 returns a pointer to the enclosing data element. Otherwise, if there is no match, line 20 returns NULL to indicate failure.

**Quick Quiz 10.11:** In the `hashtable_lookup()` function in Figure 10.27, the code carefully finds the right bucket in the new hash table if the element to be looked up has already been distributed by a concurrent resize operation. This seems wasteful for RCU-protected lookups. Why not just stick with the old hash table in this case? ■

The `hashtable_add()` function on lines 23-37 of the figure adds new data el-



ements to the hash table. Lines 32-34 obtain a pointer to the hash bucket corresponding to the key (and provide the index), as before, and line 35 adds the new element to the table. The caller is required to handle concurrency, for example, by invoking `hashtab_lock_mod()` before the call to `hashtab_add()` and invoking `hashtab_unlock_mod()` afterwards. These two concurrency-control functions will correctly synchronize with a concurrent resize operation: If the resize operation has already progressed beyond the bucket that this data element would have been added to, then the element is added to the new table.

The `hashtab_del()` function on lines 39-52 of the figure removes an existing element from the hash table. Lines 48-50 provide the bucket and index as before, and line 51 removes the specified element. As with `hashtab_add()`, the caller is responsible for concurrency control and this concurrency control suffices for synchronizing with a concurrent resize operation.

**Quick Quiz 10.12:** The `hashtab_del()` function in Figure 10.27 does not always remove the element from the old hash table. Doesn't this mean that readers might access this newly removed element after it has been freed? ■

The actual resizing itself is carried out by `hashtab_resize`, shown in Figure 10.28 on page 254. Line 17 conditionally acquires the top-level `->ht_lock`, and if this acquisition fails, line 18 returns `-EBUSY` to indicate that a resize is already in progress. Otherwise, line 19 picks up a reference to the current hash table, and lines 21-24 allocate a new hash table of the desired size. If a new set of hash/key functions have been specified, these are used for the new table, otherwise those of the old table are preserved. If line 25 detects memory-allocation failure, line 26 releases `->ht_lock` and line 27 returns a failure indication.

Line 29 starts the bucket-distribution process by installing a reference to the new table into the `->ht_new` field of the old table. Line 30 ensures that all readers who are not aware of the new table complete before the resize operation continues. Line 31 picks up the current table's index and stores its inverse to the new hash table, thus ensuring that the two hash tables avoid overwriting each other's linked lists.

Each pass through the loop spanning lines 33-44 distributes the contents of one of the old hash table's buckets into the new hash table. Line 34 picks up a reference to the old table's current bucket, line 35 acquires that bucket's spinlock, and line 36 updates `->ht_resize_cur` to indicate that this bucket is being distributed.

**Quick Quiz 10.13:** In the `hashtab_resize()` function in Figure 10.27, what guarantees that the update to `->ht_new` on line 29 will be seen as happening before the update to `->ht_resize_cur` on line 36 from the perspective of `hashtab_lookup()`, `hashtab_add()`, and `hashtab_del()`? ■

Each pass through the loop spanning lines 37-42 adds one data element from the current old-table bucket to the corresponding new-table bucket, holding the new-table bucket's lock during the add operation. Finally, line 43 releases the old-table bucket lock.

Execution reaches line 45 once all old-table buckets have been distributed across the new table. Line 45 installs the newly created table as the current one, and line 46 waits for all old readers (who might still be referencing the old table) to complete. Then line 47 releases the resize-serialization lock, line 48 frees the old hash table, and finally line 48 returns success.

```

1 int hashtable_resize(struct hashtable *htp_master,
2                     unsigned long nbuckets, void *hash_private,
3                     int (*cmp)(void *hash_private, struct ht_elem *htep, void *key),
4                     long (*gethash)(void *hash_private, void *key),
5                     void *(*getkey)(struct ht_elem *htep))
6 {
7     struct ht *htp;
8     struct ht *htp_new;
9     int i;
10    int idx;
11    struct ht_elem *htep;
12    struct ht_bucket *htbp;
13    struct ht_bucket *htbp_new;
14    unsigned long hash;
15    long b;
16
17    if (!spin_trylock(&htp_master->ht_lock))
18        return -EBUSY;
19    htp = htp_master->ht_cur;
20    htp_new = ht_alloc(nbuckets,
21                     hash_private ? hash_private : htp->ht_hash_private,
22                     cmp ? cmp : htp->ht_cmp,
23                     gethash ? gethash : htp->ht_gethash,
24                     getkey ? getkey : htp->ht_getkey);
25    if (htp_new == NULL) {
26        spin_unlock(&htp_master->ht_lock);
27        return -ENOMEM;
28    }
29    htp->ht_new = htp_new;
30    synchronize_rcu();
31    idx = htp->ht_idx;
32    htp_new->ht_idx = !idx;
33    for (i = 0; i < htp->ht_nbuckets; i++) {
34        htbp = &htp->ht_bkt[i];
35        spin_lock(&htbp->htb_lock);
36        htp->ht_resize_cur = i;
37        cds_list_for_each_entry(htep, &htbp->htb_head, hte_next[idx]) {
38            htbp_new = ht_get_bucket_single(htp_new, htp_new->ht_getkey(htep), &b);
39            spin_lock(&htbp_new->htb_lock);
40            cds_list_add_rcu(&htep->hte_next[!idx], &htbp_new->htb_head);
41            spin_unlock(&htbp_new->htb_lock);
42        }
43        spin_unlock(&htbp->htb_lock);
44    }
45    rcu_assign_pointer(htp_master->ht_cur, htp_new);
46    synchronize_rcu();
47    spin_unlock(&htp_master->ht_lock);
48    free(htp);
49    return 0;
50 }

```

Figure 10.28: Resizable Hash-Table Resizing

### 10.4.3 Resizable Hash Table Discussion

Figure 10.29 compares resizing hash tables to their fixed-sized counterparts for 2048, 16,384, and 131,072 elements in the hash table. The figure shows three traces for each element count, one for a fixed-size 1024-bucket hash table, another for a fixed-size 2048-bucket hash table, and a third for a resizable hash table that shifts back and forth between 1024 and 2048 buckets, with a one-millisecond pause between each resize operation.

The uppermost three traces are for the 2048-element hash table. The upper trace corresponds to the 2048-bucket fixed-size hash table, the middle trace to the 1024-bucket fixed-size hash table, and the lower trace to the resizable hash table. In this case, the short hash chains cause normal lookup overhead to be so low that the overhead

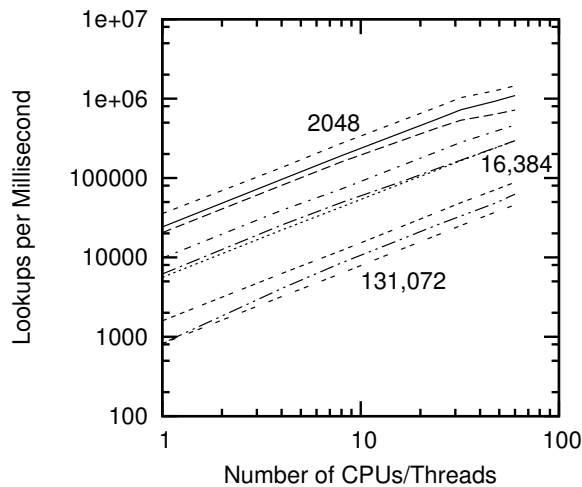


Figure 10.29: Overhead of Resizing Hash Tables

of resizing dominates. Nevertheless, the larger fixed-size hash table has a significant performance advantage, so that resizing can be quite beneficial, at least given sufficient time between resizing operations: One millisecond is clearly too short a time.

The middle three traces are for the 16,384-element hash table. Again, the upper trace corresponds to the 2048-bucket fixed-size hash table, but the middle trace now corresponds to the resizable hash table and the lower trace to the 1024-bucket fixed-size hash table. However, the performance difference between the resizable and the 1024-bucket hash table is quite small. One consequence of the eight-fold increase in number of elements (and thus also in hash-chain length) is that incessant resizing is now no worse than maintaining a too-small hash table.

The lower three traces are for the 131,072-element hash table. The upper trace corresponds to the 2048-bucket fixed-size hash table, the middle trace to the resizable hash table, and the lower trace to the 1024-bucket fixed-size hash table. In this case, longer hash chains result in higher lookup overhead, so that this lookup overhead dominates that of resizing the hash table. However, the performance of all three approaches at the 131,072-element level is more than an order of magnitude worse than that at the 2048-element level, suggesting that the best strategy would be a single 64-fold increase in hash-table size.

The key point from this data is that the RCU-protected resizable hash table performs and scales almost as well as does its fixed-size counterpart. The performance during an actual resize operation of course suffers somewhat due to the cache misses caused by the updates to each element's pointers, and this effect is most pronounced when the hash-tables bucket lists are short. This indicates that hash tables should be resized by substantial amounts, and that hysteresis should be applied to prevent performance degradation due to too-frequent resize operations. In memory-rich environments, hash-table sizes should furthermore be increased much more aggressively than they are decreased.

Another key point is that although the `hashtab` structure is non-partitionable, it is also read-mostly, which suggests the use of RCU. Given that the performance and scalability of this resizable hash table is very nearly that of RCU-protected fixed-sized

hash tables, we must conclude that this approach was quite successful.

Finally, it is important to note that insertions, deletions, and lookups can proceed concurrently with a resize operation. This concurrency is critically important when resizing large hash tables, especially for applications that must meet severe response-time constraints.

Of course, the `ht_elem` structure's pair of pointer sets does impose some memory overhead, which is taken up in the next section.

#### 10.4.4 Other Resizable Hash Tables

One shortcoming of the resizable hash table described earlier in this section is memory consumption. Each data element has two pairs of linked-list pointers rather than just one. Is it possible to create an RCU-protected resizable hash table that makes do with just one pair?

It turns out that the answer is “yes.” Josh Triplett et al. [TMW11] produced a *relativistic hash table* that incrementally splits and combines corresponding hash chains so that readers always see valid hash chains at all points during the resizing operation. This incremental splitting and combining relies on the fact that it is harmless for a reader to see a data element that should be in some other hash chain: When this happens, the reader will simply ignore the extraneous data element due to key mismatches.

The process of shrinking a relativistic hash table by a factor of two is shown in Figure 10.30, in this case shrinking a two-bucket hash table into a one-bucket hash table, otherwise known as a linear list. This process works by coalescing pairs of buckets in the old larger hash table into single buckets in the new smaller hash table. For this process to work correctly, we clearly need to constrain the hash functions for the two tables. One such constraint is to use the same underlying hash function for both tables, but to throw out the low-order bit when shrinking from large to small. For example, the old two-bucket hash table would use the two top bits of the value, while the new one-bucket hash table could use the top bit of the value. In this way, a given pair of adjacent even and odd buckets in the old large hash table can be coalesced into a single bucket in the new small hash table, while still having a single hash value cover all of the elements in that single bucket.

The initial state is shown at the top of the figure, with time advancing from top to bottom, starting with initial state (a). The shrinking process begins by allocating the new smaller array of buckets, and having each bucket of this new smaller array reference the first element of one of the buckets of the corresponding pair in the old large hash table, resulting in state (b).

Then the two hash chains are linked together, resulting in state (c). In this state, readers looking up an even-numbered element see no change, and readers looking up elements 1 and 3 likewise see no change. However, readers looking up some other odd number will also traverse elements 0 and 2. This is harmless because any odd number will compare not-equal to these two elements. There is some performance loss, but on the other hand, this is exactly the same performance loss that will be experienced once the new small hash table is fully in place.

Next, the new small hash table is made accessible to readers, resulting in state (d). Note that older readers might still be traversing the old large hash table, so in this state both hash tables are in use.

The next step is to wait for all pre-existing readers to complete, resulting in state (e). In this state, all readers are using the new small hash table, so that the old large hash

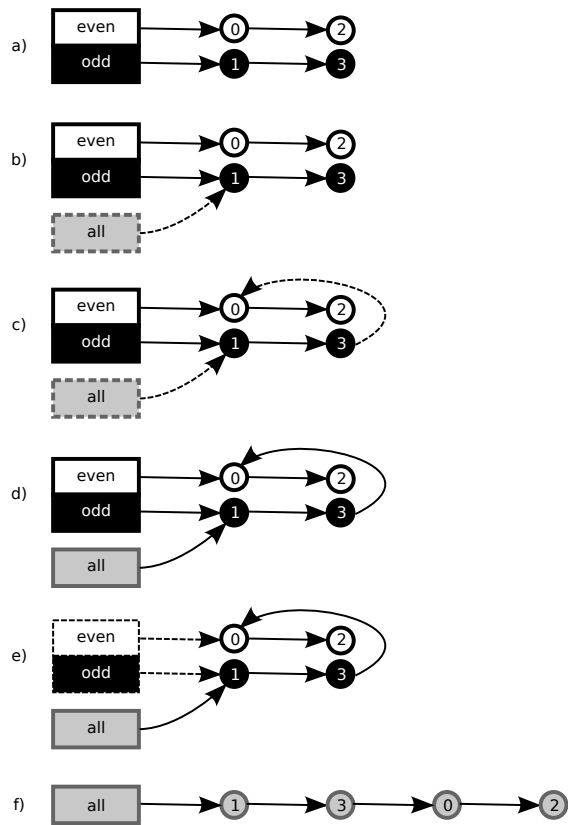


Figure 10.30: Shrinking a Relativistic Hash Table

table's buckets may be freed, resulting in the final state (f).

Growing a relativistic hash table reverses the shrinking process, but requires more grace-period steps, as shown in Figure 10.31. The initial state (a) is at the top of this figure, with time advancing from top to bottom.

We start by allocating the new large two-bucket hash table, resulting in state (b). Note that each of these new buckets references the first element destined for that bucket. These new buckets are published to readers, resulting in state (c). After a grace-period operation, all readers are using the new large hash table, resulting in state (d). In this state, only those readers traversing the even-values hash bucket traverse element 0, which is therefore now colored white.

At this point, the old small hash buckets may be freed, although many implementations use these old buckets to track progress “unzipping” the list of items into their respective new buckets. The last even-numbered element in the first consecutive run of such elements now has its pointer-to-next updated to reference the following even-numbered element. After a subsequent grace-period operation, the result is state (e). The vertical arrow indicates the next element to be unzipped, and element 1 is now colored black to indicate that only those readers traversing the odd-values hash bucket may reach it.

Next, the last odd-numbered element in the first consecutive run of such elements

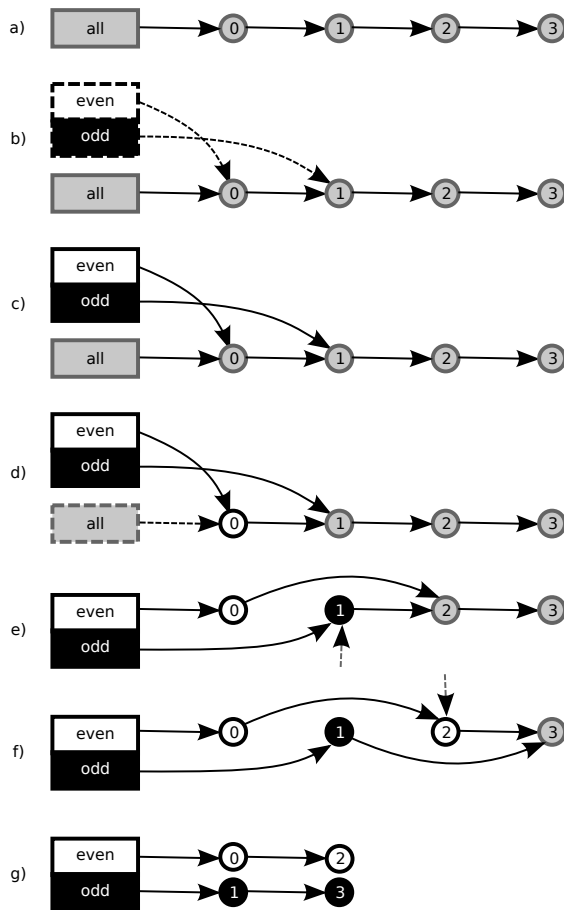


Figure 10.31: Growing a Relativistic Hash Table

now has its pointer-to-next updated to reference the following odd-numbered element. After a subsequent grace-period operation, the result is state (f). A final unzipping operation (including a grace-period operation) results in the final state (g).

In short, the relativistic hash table reduces the number of per-element list pointers at the expense of additional grace periods incurred during resizing. These additional grace periods are usually not a problem because insertions, deletions, and lookups may proceed concurrently with a resize operation.

It turns out that it is possible to reduce the per-element memory overhead from a pair of pointers to a single pointer, while still retaining  $O(1)$  deletions. This is accomplished by augmenting split-order list [SS06] with RCU protection [Des09, MDJ13a]. The data elements in the hash table are arranged into a single sorted linked list, with each hash bucket referencing the first element in that bucket. Elements are deleted by setting low-order bits in their pointer-to-next fields, and these elements are removed from the list by later traversals that encounter them.

This RCU-protected split-order list is complex, but offers lock-free progress guarantees for all insertion, deletion, and lookup operations. Such guarantees can be important

in real-time applications. An implementation is available from recent versions of the userspace RCU library [Des09].

## 10.5 Other Data Structures

The preceding sections have focused on data structures that enhance concurrency due to partitionability (Section 10.2), efficient handling of read-mostly access patterns (Section 10.3), or application of read-mostly techniques to avoid non-partitionability (Section 10.4). This section gives a brief review of other data structures.

One of the hash table's greatest advantages for parallel use is that it is fully partitionable, at least while not being resized. One way of preserving the partitionability and the size independence is to use a radix tree, which is also called a trie. Tries partition the search key, using each successive key partition to traverse the next level of the trie. As such, a trie can be thought of as a set of nested hash tables, thus providing the required partitionability. One disadvantage of tries is that a sparse key space can result in inefficient use of memory. There are a number of compression techniques that may be used to work around this disadvantage, including hashing the key value to a smaller key space before the traversal [ON06]. Radix trees are heavily used in practice, including in the Linux kernel [Pig06].

One important special case of both a hash table and a trie is what is perhaps the oldest of data structures, the array and its multi-dimensional counterpart, the matrix. The fully partitionable nature of matrices is exploited heavily in concurrent numerical algorithms.

Self-balancing trees are heavily used in sequential code, with AVL trees and red-black trees being perhaps the most well-known examples [CLRS01]. Early attempts to parallelize AVL trees were complex and not necessarily all that efficient [Ell80], however, more recent work on red-black trees provides better performance and scalability by using RCU for readers and hashed arrays of locks<sup>1</sup> to protect reads and updates, respectively [HW11, HW13]. It turns out that red-black trees rebalance aggressively, which works well for sequential programs, but not necessarily so well for parallel use. Recent work has therefore made use of RCU-protected "bonsai trees" that rebalance less aggressively [CKZ12], trading off optimal tree depth to gain more efficient concurrent updates.

Concurrent skip lists lend themselves well to RCU readers, and in fact represents an early academic use of a technique resembling RCU [Pug90].

Concurrent double-ended queues were discussed in Section 6.1.2, and concurrent stacks and queues have a long history [Tre86], though not normally the most impressive performance or scalability. They are nevertheless a common feature of concurrent libraries [MDJ13b]. Researchers have recently proposed relaxing the ordering constraints of stacks and queues [Sha11], with some work indicating that relaxed-ordered queues actually have better ordering properties than do strict FIFO queues [HKLP12, KLP12, HHK<sup>+</sup>13].

It seems likely that continued work with concurrent data structures will produce novel algorithms with surprising properties.

---

<sup>1</sup> In the guise of swissTM [DFGG11], which is a variant of software transactional memory in which the developer flags non-shared accesses.

## 10.6 Micro-Optimization

The data structures shown in this section were coded straightforwardly, with no adaptation to the underlying system's cache hierarchy. In addition, many of the implementations used pointers to functions for key-to-hash conversions and other frequent operations. Although this approach provides simplicity and portability, in many cases it does give up some performance.

The following sections touch on specialization, memory conservation, and hardware considerations. Please do not mistakes these short sections for a definitive treatise on this subject. Whole books have been written on optimizing to a specific CPU, let alone to the set of CPU families in common use today.

### 10.6.1 Specialization

The resizable hash table presented in Section 10.4 used an opaque type for the key. This allows great flexibility, permitting any sort of key to be used, but it also incurs significant overhead due to the calls via of pointers to functions. Now, modern hardware uses sophisticated branch-prediction techniques to minimize this overhead, but on the other hand, real-world software is often larger than can be accommodated even by today's large hardware branch-prediction tables. This is especially the case for calls via pointers, in which case the branch prediction hardware must record a pointer in addition to branch-taken/branch-not-taken information.

This overhead can be eliminated by specializing a hash-table implementation to a given key type and hash function. Doing so eliminates the `->ht_cmp()`, `->ht_gethash()`, and `->ht_getkey()` function pointers in the `ht` structure shown in Figure 10.24 on page 249. It also eliminates the corresponding calls through these pointers, which could allow the compiler to inline the resulting fixed functions, eliminating not only the overhead of the call instruction, but the argument marshalling as well.

In addition, the resizable hash table is designed to fit an API that segregates bucket selection from concurrency control. Although this allows a single torture test to exercise all the hash-table implementations in this chapter, it also means that many operations must compute the hash and interact with possible resize operations twice rather than just once. In a performance-conscious environment, the `hashtab_lock_mod()` function would also return a reference to the bucket selected, eliminating the subsequent call to `ht_get_bucket()`.

**Quick Quiz 10.14:** Couldn't the `hashtorture.h` code be modified to accommodate a version of `hashtab_lock_mod()` that subsumes the `ht_get_bucket()` functionality? ■

**Quick Quiz 10.15:** How much do these specializations really save? Are they really worth it? ■

All that aside, one of the great benefits of modern hardware compared to that available when I first started learning to program back in the early 1970s is that much less specialization is required. This allows much greater productivity than was possible back in the days of four-kilobyte address spaces.

### 10.6.2 Bits and Bytes

The hash tables discussed in this chapter made almost no attempt to conserve memory. For example, the `->ht_idx` field in the `ht` structure in Figure 10.24 on page 249 always has a value of either zero or one, yet takes up a full 32 bits of memory. It



could be eliminated, for example, by stealing a bit from the `->ht_resize_key` field. This works because the `->ht_resize_key` field is large enough to address every byte of memory and the `ht_bucket` structure is more than one byte long, so that the `->ht_resize_key` field must have several bits to spare.

This sort of bit-packing trick is frequently used in data structures that are highly replicated, as is the `page` structure in the Linux kernel. However, the resizable hash table's `ht` structure is not all that highly replicated. It is instead the `ht_bucket` structures we should focus on. There are two major opportunities for shrinking the `ht_bucket` structure: (1) Placing the `->htb_lock` field in a low-order bit of one of the `->htb_head` pointers and (2) Reducing the number of pointers required.

The first opportunity might make use of bit-spinlocks in the Linux kernel, which are provided by the `include/linux/bit_spinlock.h` header file. These are used in space-critical data structures in the Linux kernel, but are not without their disadvantages:

1. They are significantly slower than the traditional spinlock primitives.
2. They cannot participate in the lockdep deadlock detection tooling in the Linux kernel [Cor06a].
3. They do not record lock ownership, further complicating debugging.
4. They do not participate in priority boosting in `-rt` kernels, which means that preemption must be disabled when holding bit spinlocks, which can degrade real-time latency.

Despite these disadvantages, bit-spinlocks are extremely useful when memory is at a premium.

One aspect of the second opportunity was covered in Section 10.4.4, which presented resizable hash tables that require only one set of bucket-list pointers in place of the pair of sets required by the resizable hash table presented in Section 10.4. Another approach would be to use singly linked bucket lists in place of the doubly linked lists used in this chapter. One downside of this approach is that deletion would then require additional overhead, either by marking the outgoing pointer for later removal or by searching the bucket list for the element being deleted.

In short, there is a tradeoff between minimal memory overhead on the one hand, and performance and simplicity on the other. Fortunately, the relatively large memories available on modern systems have allowed us to prioritize performance and simplicity over memory overhead. However, even with today's large-memory systems<sup>2</sup> it is sometime necessary to take extreme measures to reduce memory overhead.

### 10.6.3 Hardware Considerations

Modern computers typically move data between CPUs and main memory in fixed-sized blocks that range in size from 32 bytes to 256 bytes. These blocks are called *cache lines*, and are extremely important to high performance and scalability, as was discussed in Section 3.2. One timeworn way to kill both performance and scalability is to place incompatible variables into the same cacheline. For example, suppose that a resizable hash table data element had the `ht_elem` structure in the same cacheline as a counter that was incremented quite frequently. The frequent incrementing would cause the

---

<sup>2</sup> Smartphones with gigabytes of memory, anyone?

```

struct hash_elem {
    struct ht_elem e;
    long __attribute__((aligned(64))) counter;
};

```

Figure 10.32: Alignment for 64-Byte Cache Lines

cacheline to be present at the CPU doing the incrementing, but nowhere else. If other CPUs attempted to traverse the hash bucket list containing that element, they would incur expensive cache misses, degrading both performance and scalability.

One way to solve this problem on systems with 64-byte cache line is shown in Figure 10.32. Here a `gcc aligned` attribute is used to force the `->counter` and the `ht_elem` structure into separate cache lines. This would allow CPUs to traverse the hash bucket list at full speed despite the frequent incrementing.

Of course, this raises the question “How did we know that cache lines are 64 bytes in size?” On a Linux system, this information may be obtained from the `/sys/devices/system/cpu/cpu*/cache/` directories, and it is even possible to make the installation process rebuild the application to accommodate the system’s hardware structure. However, this would be more difficult if you wanted your application to also run on non-Linux systems. Furthermore, even if you were content to run only on Linux, such a self-modifying installation poses validation challenges.

Fortunately, there are some rules of thumb that work reasonably well in practice, which were gathered into a 1995 paper [GKPS95].<sup>3</sup> The first group of rules involve rearranging structures to accommodate cache geometry:

1. Separate read-mostly data from data that is frequently updated. For example, place read-mostly data at the beginning of the structure and frequently updated data at the end. Where possible, place data that is rarely accessed in between.
2. If the structure has groups of fields such that each group is updated by an independent code path, separate these groups from each other. Again, it can make sense to place data that is rarely accessed between the groups. In some cases, it might also make sense to place each such group into a separate structure referenced by the original structure.
3. Where possible, associate update-mostly data with a CPU, thread, or task. We saw several very effective examples of this rule of thumb in the counter implementations in Chapter 5.
4. In fact, where possible, you should partition your data on a per-CPU, per-thread, or per-task basis, as was discussed in Chapter 8.

There has recently been some work towards automated trace-based rearrangement of structure fields [GDZE10]. This work might well ease one of the more painstaking tasks required to get excellent performance and scalability from multithreaded software.

An additional set of rules of thumb deal with locks:

1. Given a heavily contended lock protecting data that is frequently modified, take one of the following approaches:

<sup>3</sup> A number of these rules are paraphrased and expanded on here with permission from Orran Krieger.

- (a) Place the lock in a different cacheline than the data that it protects.
  - (b) Use a lock that is adapted for high contention, such as a queued lock.
  - (c) Redesign to reduce lock contention. (This approach is best, but can require quite a bit of work.)
2. Place uncontended locks into the same cache line as the data that they protect. This approach means that the cache miss that brought the lock to the current CPU also brought its data.
  3. Protect read-mostly data with RCU, or, if RCU cannot be used and the critical sections are of very long duration, reader-writer locks.

Of course, these are rules of thumb rather than absolute rules. Some experimentation is required to work out which are most applicable to your particular situation.

## 10.7 Summary

This chapter has focused primarily on hash tables, including resizable hash tables, which are not fully partitionable. Section 10.5 gave a quick overview of a few non-hash-table data structures. Nevertheless, this exposition of hash tables is an excellent introduction to the many issues surrounding high-performance scalable data access, including:

1. Fully partitioned data structures work well on small systems, for example, single-socket systems.
2. Larger systems require locality of reference as well as full partitioning.
3. Read-mostly techniques, such as hazard pointers and RCU, provide good locality of reference for read-mostly workloads, and thus provide excellent performance and scalability even on larger systems.
4. Read-mostly techniques also work well on some types of non-partitionable data structures, such as resizable hash tables.
5. Additional performance and scalability can be obtained by specializing the data structure to a specific workload, for example, by replacing a general key with a 32-bit integer.
6. Although requirements for portability and for extreme performance often conflict, there are some data-structure-layout techniques that can strike a good balance between these two sets of requirements.

That said, performance and scalability is of little use without reliability, so the next chapter covers validation.



# Chapter 11

## Validation

I have had a few parallel programs work the first time, but that is only because I have written a large number parallel programs over the past two decades. And I have had far more parallel programs that fooled me into thinking that they were working correctly the first time than actually were working the first time.

I have therefore had great need of validation for my parallel programs. The basic trick behind parallel validation, as with other software validation, is to realize that the computer knows what is wrong. It is therefore your job to force it to tell you. This chapter can therefore be thought of as a short course in machine interrogation.<sup>1</sup>

A longer course may be found in many recent books on validation, as well as at least one rather old but quite worthwhile one [Mye79]. Validation is an extremely important topic that cuts across all forms of software, and is therefore worth intensive study in its own right. However, this book is primarily about concurrency, so this chapter will necessarily do little more than scratch the surface of this critically important topic.

Section 11.1 introduces the philosophy of debugging. Section 11.2 discusses tracing, Section 11.3 discusses assertions, and Section 11.4 discusses static analysis. Section 11.5 describes some unconventional approaches to code review that can be helpful when the fabled 10,000 eyes happen not to be looking at your code. Section 11.6 gives an overview of the use of probability for validating parallel software. Because performance and scalability are first-class requirements for parallel programming, Section 11.7 which covers these topics. Finally, Section 11.8 gives a fanciful summary and a short list of statistical traps to avoid.

### 11.1 Introduction

Section 11.1.1 discusses the sources of bugs, and Section 11.1.2 overviews the mindset required when validating software. Section 11.1.3 discusses when you should start validation, and Section 11.1.4 describes the surprisingly effective open-source regimen of code review and community testing.

---

<sup>1</sup> But you can leave the thumbscrews and waterboards at home. This chapter covers much more sophisticated and effective methods, especially given that most computer systems neither feel pain nor fear drowning.

### 11.1.1 Where Do Bugs Come From?

Bugs come from developers. The basic problem is that the human brain did not evolve with computer software in mind. Instead, the human brain evolved in concert with other human brains and with animal brains. Because of this history, the following three characteristics of computers often come as a shock to human intuition:

1. Computers typically lack common sense, despite decades of research sacrificed at the altar of artificial intelligence.
2. Computers generally fail to understand user intent, or more formally, computers generally lack a theory of mind.
3. Computers usually cannot do anything useful with a fragmentary plan, instead requiring that each and every detail of each and every possible scenario be spelled out in full.

The first two points should be uncontroversial, as they are illustrated by any number of failed products, perhaps most famously Clippy and Microsoft Bob. By attempting to relate to users as people, these two products raised common-sense and theory-of-mind expectations that they proved incapable of meeting. Perhaps the set of software assistants that have recently started appearing on smartphones will fare better. That said, the developers working on them by all accounts still develop the old way: The assistants might well benefit end users, but not so much their own developers.

This human love of fragmentary plans deserves more explanation, especially given that it is a classic two-edged sword. This love of fragmentary plans is apparently due to the assumption that the person carrying out the plan will have (1) common sense and (2) a good understanding of the intent behind the plan. This latter assumption is especially likely to hold in the common case where the person doing the planning and the person carrying out the plan are one and the same: In this case, the plan will be revised almost subconsciously as obstacles arise. Therefore, the love of fragmentary plans has served human beings well, in part because it is better to take random actions that have a high probability of locating food than to starve to death while attempting to plan the unplannable. However, the past usefulness of fragmentary plans in everyday life is no guarantee of their future usefulness in stored-program computers.

Furthermore, the need to follow fragmentary plans has had important effects on the human psyche, due to the fact that throughout much of human history, life was often difficult and dangerous. It should come as no surprise that executing a fragmentary plan that has a high probability of a violent encounter with sharp teeth and claws requires almost insane levels of optimism—a level of optimism that actually is present in most human beings. These insane levels of optimism extend to self-assessments of programming ability, as evidenced by the effectiveness of (and the controversy over) interviewing techniques involving coding trivial programs [Bra07]. In fact, the clinical term for a human being with less-than-insane levels of optimism is “clinically depressed.” Such people usually have extreme difficulty functioning in their daily lives, underscoring the perhaps counter-intuitive importance of insane levels of optimism to a normal, healthy life. If you are not insanely optimistic, you are less likely to start a

difficult but worthwhile project.<sup>2</sup>

**Quick Quiz 11.1:** When in computing is the willingness to follow a fragmentary plan critically important? ■

An important special case is the project that, while valuable, is not valuable enough to justify the time required to implement it. This special case is quite common, and one early symptom is the unwillingness of the decision-makers to invest enough to actually implement the project. A natural reaction is for the developers to produce an unrealistically optimistic estimate in order to be permitted to start the project. If the organization (be it open source or proprietary) is strong enough, it might survive the resulting schedule slips and budget overruns, so that the project might see the light of day. However, if the organization is not strong enough and if the decision-makers fail to cancel the project as soon as it becomes clear that the estimates are garbage, then the project might well kill the organization. This might result in another organization picking up the project and either completing it, cancelling it, or being killed by it. A given project might well succeed only after killing several organizations. One can only hope that the organization that eventually makes a success of a serial-organization-killer project manages maintains a suitable level of humility, lest it be killed by the next project.

Important though insane levels of optimism might be, they are a key source of bugs (and perhaps failure of organizations). The question is therefore “How to maintain the optimism required to start a large project while at the same time injecting enough reality to keep the bugs down to a dull roar?” The next section examines this conundrum.

### 11.1.2 Required Mindset

When carrying out any validation effort, you should keep the following definitions in mind:

1. The only bug-free programs are trivial programs.
2. A reliable program has no known bugs.

From these definitions, it logically follows that any reliable non-trivial program contains at least one bug that you do not know about. Therefore, any validation effort undertaken on a non-trivial program that fails to find any bugs is itself a failure. A good validation is therefore an exercise in destruction. This means that if you are the type of person who enjoys breaking things, validation is just the right type of job for you.

**Quick Quiz 11.2:** Suppose that you are writing a script that processes the output of the `time` command, which looks as follows:

```
real    0m0.132s
user    0m0.040s
sys     0m0.008s
```

The script is required to check its input for errors, and to give appropriate diagnostics if fed erroneous `time` output. What test inputs should you provide to this program to test it for use with `time` output generated by single-threaded programs? ■

But perhaps you are a super-programmer whose code is always perfect the first time every time. If so, congratulations! Feel free to skip this chapter, but I do hope that you

---

<sup>2</sup> There are some famous exceptions to this rule of thumb. One set of exceptions is people who take on difficult or risky projects in order to make at least a temporary escape from their depression. Another set is people who have nothing to lose: the project is literally a matter of life or death.

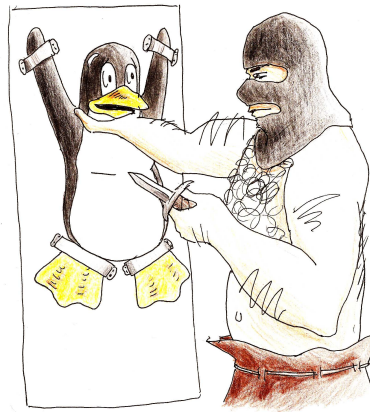


Figure 11.1: Validation and the Geneva Convention

will forgive my skepticism. You see, I have met far more people who claimed to be able to write perfect code the first time than I have people who were actually capable of carrying out this feat, which is not too surprising given the previous discussion of optimism and over-confidence. And even if you really are a super-programmer, you just might find yourself debugging lesser mortals' work.

One approach for the rest of us is to alternate between our normal state of insane optimism (Sure, I can program that!) and severe pessimism (It seems to work, but I just know that there have to be more bugs hiding in there somewhere!). It helps if you enjoy breaking things. If you don't, or if your joy in breaking things is limited to breaking *other* people's things, find someone who does love breaking your code and get them to help you test it.

Another helpful frame of mind is to hate other people finding bugs in your code. This hatred can help motivate you to torture your code beyond reason in order to increase the probability that you find the bugs rather than someone else.

One final frame of mind is to consider the possibility that someone's life depends on your code being correct. This can also motivate you to torture your code into revealing the whereabouts of its bugs.

This wide variety of frames of mind opens the door to the possibility of multiple people with different frames of mind contributing to the project, with varying levels of optimism. This can work well, if properly organized.

Some people might see vigorous validation as a form of torture, as depicted in Figure 11.1.<sup>3</sup> Such people might do well to remind themselves that, Tux cartoons aside, they are really torturing an inanimate object, as shown in Figure 11.2. In addition, rest assured that those who fail to torture their code are doomed to be tortured by it.

However, this leaves open the question of exactly when during the project lifetime validation should start, a topic taken up by the next section.

---

<sup>3</sup> More cynical people might question whether these people are instead merely afraid that validation will find bugs that they will then be expected to fix.



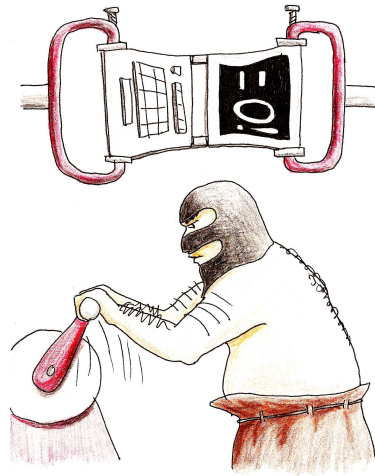


Figure 11.2: Rationalizing Validation

### 11.1.3 When Should Validation Start?

Validation should start at the same time that the project starts.

To see this, consider that tracking down a bug is much harder in a large program than in a small one. Therefore, to minimize the time and effort required to track down bugs, you should test small units of code. Although you won't find all the bugs this way, you will find a substantial fraction, and it will be much easier to find and fix the ones you do find. Testing at this level can also alert you to larger flaws in your overall design, minimizing the time you waste writing code that is quite literally broken by design.

But why wait until you have code before validating your design?<sup>4</sup> Hopefully reading Chapters 3 and 4 provided you with the information required to avoid some regrettably common design flaws, but discussing your design with a colleague or even simply writing it down can help flush out additional flaws.

However, it is all too often the case that waiting to start validation until you have a design is waiting too long. Mightn't your natural level of optimism caused you to start the design before you fully understood the requirements? The answer to this question will almost always be "yes". One good way to avoid flawed requirements is to get to know your users. To really serve them well, you will have to live among them.

**Quick Quiz 11.3:** You are asking me to do all this validation BS before I even start coding??? That sounds like a great way to never get started!!! ■

First-of-a-kind projects require different approaches to validation, for example, rapid prototyping. Here, the main goal of the first few prototypes is to learn how the project should be implemented, not so much to create a correct implementation on the first try. However, it is important to keep in mind that you should not omit validation, but rather take a radically different approach to it.

Now that we have established that you should start validation when you start the project, the following sections cover a number of validation techniques and methods that have proven their worth.

<sup>4</sup> The old saying "First we must code, then we have incentive to think" notwithstanding.

### 11.1.4 The Open Source Way

The open-source programming methodology has proven quite effective, and includes a regimen of intense code review and testing.

I can personally attest to the effectiveness of the open-source community's intense code review. One of the first patches I prepared for the Linux kernel involved a distributed filesystem where a user on one node writes to a given file at a location that a user on another node has mapped into memory. In this case, it is necessary to invalidate the affected pages from the mapping in order to allow the filesystem to maintain coherence during the write operation. I coded up a first attempt at a patch, and, in keeping with the open-source maxim "post early, post often", I posted the patch. I then considered how I was going to test it.

But before I could even decide on an overall test strategy, I got a reply to my posting pointing out a few bugs. I fixed the bugs and reposted the patch, and returned to thinking out my test strategy. However, before I had a chance to write any test code, I received a reply to my reposted patch, pointing out more bugs. This process repeated itself many times, and I am not sure that I ever got a chance to actually test the patch.

This experience brought home the truth of the open-source saying: Given enough eyeballs, all bugs are shallow [Ray99].

However, when you post some code or a given patch, it is worth asking a few questions:

1. How many of those eyeballs are actually going to look at your code?
2. How many will be experienced and clever enough to actually find your bugs?
3. Exactly when are they going to look?

I was lucky: There was someone out there who wanted the functionality provided by my patch, who had long experience with distributed filesystems, and who looked at my patch almost immediately. If no one had looked at my patch, there would have been no review, and therefore no finding of bugs. If the people looking at my patch had lacked experience with distributed filesystems, it is unlikely that they would have found all the bugs. Had they waited months or even years to look, I likely would have forgotten how the patch was supposed to work, making it much more difficult to fix them.

However, we must not forget the second tenet of the open-source development, namely intensive testing. For example, a great many people test the Linux kernel. Some test patches as they are submitted, perhaps even yours. Others test the -next tree, which is helpful, but there is likely to be several weeks or even months delay between the time that you write the patch and the time that it appears in the -next tree, by which time the patch will not be quite as fresh in your mind. Still others test maintainer trees, which often have a similar time delay.

Quite a few people don't test code until it is committed to mainline, or the master source tree (Linus's tree in the case of the Linux kernel). If your maintainer won't accept your patch until it has been tested, this presents you with a deadlock situation: your patch won't be accepted until it is tested, but it won't be tested until it is accepted. Nevertheless, people who test mainline code are still relatively aggressive, given that many people and organizations do not test code until it has been pulled into a Linux distro.

And even if someone does test your patch, there is no guarantee that they will be running the hardware and software configuration and workload required to locate your bugs.

Therefore, even when writing code for an open-source project, you need to be prepared to develop and run your own test suite. Test development is an underappreciated and very valuable skill, so be sure to take full advantage of any existing test suites available to you. Important as test development is, we will leave further discussion of to books dedicated to that topic. The following sections therefore discuss locating bugs in your code given that you already have a good test suite.

## 11.2 Tracing

When all else fails, add a `printk()`! Or a `printf()`, if you are working with user-mode C-language applications.

The rationale is simple: If you cannot figure out how execution reached a given point in the code, sprinkle print statements earlier in the code to work out what happened. You can get a similar effect, and with more convenience and flexibility, by using a debugger such as `gdb` (for user applications) or `kgdb` (for debugging Linux kernels). Much more sophisticated tools exist, with some of the more recent offering the ability to rewind backwards in time from the point of failure.

These brute-force testing tools are all valuable, especially now that typical systems have more than 64K of memory and CPUs running faster than 4MHz. Much has been written about these tools, so this chapter will add little more.

However, these tools all have a serious shortcoming when the job at hand is to convince a the fastpath of a high-performance parallel algorithm to tell you what is going wrong, namely, they often have excessive overheads. There are special tracing technologies for this purpose, which typically leverage data ownership techniques (see Chapter 8) to minimize the overhead of runtime data collection. One example within the Linux kernel is “trace events” [Ros10b, Ros10c, Ros10d, Ros10a]. Another example that handles userspace (but has not been accepted into the Linux kernel) is `LTTng` [DD09]. Each of these uses per-CPU buffers to allow data to be collected with extremely low overhead. Even so, enabling tracing can sometimes change timing enough to hide bugs, resulting in *heisenbugs*, which are discussed in Section 11.6 and especially Section 11.6.4.

Even if you avoid heisenbugs, other pitfalls await you. For example, although the machine really does know all, what it knows is almost always way more than your head can hold. For this reason, high-quality test suites normally come with sophisticated scripts to analyze the voluminous output. But beware—scripts won’t necessarily notice surprising things. My `rcutorture` scripts are a case in point: Early versions of those scripts were quite satisfied with a test run in which RCU grace periods stalled indefinitely. This of course resulted in the scripts being modified to detect RCU grace-period stalls, but this does not change the fact that the scripts will only detects problems that I think to make them detect. The scripts are useful, but they are no substitute for occasional manual scans of the `rcutorture` output.

Another problem with tracing and especially with `printk()` calls is that their overhead is often too much for production use. In some such cases, assertions can be helpful.

## 11.3 Assertions

Assertions are usually implemented in the following manner:

```
1 if (something_bad_is_happening())
2     complain();
```

This pattern is often encapsulated into C-preprocessor macros or language intrinsics, for example, in the Linux kernel, this might be represented as `WARN_ON(something_bad_is_happening())`. Of course, if `something_bad_is_happening()` quite frequently, the resulting output might obscure reports of other problems, in which case `WARN_ON_ONCE(something_bad_is_happening())` might be more appropriate.

**Quick Quiz 11.4:** How can you implement `WARN_ON_ONCE()`? ■

In parallel code, one especially bad something that might happen is that a function expecting to be called under a particular lock might be called without that lock being held. Such functions sometimes have header comments stating something like “The caller must hold `foo_lock` when calling this function”, but such a comment does no good unless someone actually reads it. An executable statement like `lock_is_held(&foo_lock)` carries far more force.

The Linux kernel’s lockdep facility [Cor06a, Ros11] takes this a step farther, reporting potential deadlocks as well as allowing functions to verify that the proper locks are held. Of course, this additional functionality incurs significant overhead, so that lockdep is not necessarily appropriate for production use.

So what can be done in cases where checking is necessary, but where the overhead of runtime checking cannot be tolerated? One approach is static analysis, which is discussed in the next section.

## 11.4 Static Analysis

Static analysis is a validation technique where one program takes a second program as input, reporting errors and vulnerabilities located in this second program. Interestingly enough, almost all programs are subjected to static analysis by their compilers or interpreters. These tools are of course far from perfect, but their ability to locate errors has improved immensely over the past few decades, in part because they now have much more than 64K bytes of memory in which to carry out their analysis.

The original UNIX `lint` tool [Joh77] was quite useful, though much of its functionality has since been incorporated into C compilers. There are nevertheless lint-like tools under development and in use to this day.

The sparse static analyzer [Cor04] looks for higher-level issues in the Linux kernel, including:

1. Misuse of pointers to user-space structures.
2. Assignments from too-long constants.
3. Empty `switch` statements.
4. Mismatched lock acquisition and release primitives.
5. Misuse of per-CPU primitives.
6. Use of RCU primitives on non-RCU pointers and vice versa.

Although it is likely that compilers will continue to increase their static-analysis capabilities, the sparse static analyzer demonstrates the benefits of static analysis outside of the compiler, particularly for finding application-specific bugs.

## 11.5 Code Review

Various code-review activities are special cases of static analysis, but with human beings doing the analysis. This section covers inspection, walkthroughs, and self-inspection.

### 11.5.1 Inspection

Traditionally, formal code inspections take place in face-to-face meetings with formally defined roles: moderator, developer, and one or two other participants. The developer reads through the code, explaining what it is doing and why it works. The one or two other participants ask questions and raise issues, while the moderator's job is to resolve any conflicts and to take notes. This process can be extremely effective at locating bugs, particularly if all of the participants are familiar with the code at hand.

However, this face-to-face formal procedure does not necessarily work well in the global Linux kernel community, although it might work well via an IRC session. Instead, individuals review code separately and provide comments via email or IRC. The note-taking is provided by email archives or IRC logs, and moderators volunteer their services as appropriate. Give or take the occasional flamewar, this process also works reasonably well, particularly if all of the participants are familiar with the code at hand.<sup>5</sup>

It is quite likely that the Linux kernel community's review process is ripe for improvement:

1. There is sometimes a shortage of people with the time and expertise required to carry out an effective review.
2. Even though all review discussions are archived, they are often "lost" in the sense that insights are forgotten and people often fail to look up the discussions. This can result in re-insertion of the same old bugs.
3. It is sometimes difficult to resolve flamewars when they do break out, especially when the combatants have disjoint goals, experience, and vocabulary.

When reviewing, therefore, it is worthwhile to review relevant documentation in commit logs, bug reports, and LWN articles.

### 11.5.2 Walkthroughs

A traditional code walkthrough is similar to a formal inspection, except that the group "plays computer" with the code, driven by specific test cases. A typical walkthrough team has a moderator, a secretary (who records bugs found), a testing expert (who generates the test cases) and perhaps one to two others. These can be extremely effective, albeit also extremely time-consuming.

It has been some decades since I have participated in a formal walkthrough, and I suspect that a present-day walkthrough would use single-stepping debuggers. One could imagine a particularly sadistic procedure as follows:

1. The tester presents the test case.

---

<sup>5</sup> That said, one advantage of the Linux kernel community approach over traditional formal inspections is the greater probability of contributions from people *not* familiar with the code, who therefore might not be blinded by the invalid assumptions harbored by those familiar with the code.

2. The moderator starts the code under a debugger, using the specified test case as input.
3. Before each statement is executed, the developer is required to predict the outcome of the statement and explain why this outcome is correct.
4. If the outcome differs from that predicted by the developer, this is taken as evidence of a potential bug.
5. In parallel code, a “concurrency shark” asks what code might execute concurrently with this code, and why such concurrency is harmless.

Sadistic, certainly. Effective? Maybe. If the participants have a good understanding of the requirements, software tools, data structures, and algorithms, then walkthroughs can be extremely effective. If not, walkthroughs are often a waste of time.

### 11.5.3 Self-Inspection

Although developers are usually not all that effective at inspecting their own code, there are a number of situations where there is no reasonable alternative. For example, the developer might be the only person authorized to look at the code, other qualified developers might all be too busy, or the code in question might be sufficiently bizarre that the developer is unable to convince anyone else to take it seriously until after demonstrating a prototype. In these cases, the following procedure can be quite helpful, especially for complex parallel code:

1. Write design document with requirements, diagrams for data structures, and rationale for design choices.
2. Consult with experts, update the design document as needed.
3. Write the code in pen on paper, correct errors as you go. Resist the temptation to refer to pre-existing nearly identical code sequences, instead, copy them.
4. If there were errors, copy the code in pen on fresh paper, correcting errors as you go. Repeat until the last two copies are identical.
5. Produce proofs of correctness for any non-obvious code.
6. Where possible, test the code fragments from the bottom up.
7. When all the code is integrated, do full-up functional and stress testing.
8. Once the code passes all tests, write code-level documentation, perhaps as an extension to the design document discussed above.

When I faithfully follow this procedure for new RCU code, there are normally only a few bugs left at the end. With a few prominent (and embarrassing) exceptions [McK11a], I usually manage to locate these bugs before others do. That said, this is getting more difficult over time as the number and variety of Linux-kernel users increases.

**Quick Quiz 11.5:** Why would anyone bother copying existing code in pen on paper??? Doesn't that just increase the probability of transcription errors? ■

**Quick Quiz 11.6:** This procedure is ridiculously over-engineered! How can you expect to get a reasonable amount of software written doing it this way??? ■

The above procedure works well for new code, but what if you need to inspect code that you have already written? You can of course apply the above procedure for old code in the special case where you wrote one to throw away [FPB79], but the following approach can also be helpful in less desperate circumstances:

1. Using your favorite documentation tool (L<sup>A</sup>T<sub>E</sub>X, HTML, OpenOffice, or straight ASCII), describe the high-level design of the code in question. Use lots of diagrams to illustrate the data structures and how these structures are updated.
2. Make a copy of the code, stripping away all comments.
3. Document what the code does statement by statement.
4. Fix bugs as you find them.

This works because describing the code in detail is an excellent way to spot bugs [Mye79]. Although this second procedure is also a good way to get your head around someone else's code, in many cases, the first step suffices.

Although review and inspection by others is probably more efficient and effective, the above procedures can be quite helpful in cases where for whatever reason it is not feasible to involve others.

At this point, you might be wondering how to write parallel code without having to do all this boring paperwork. Here are some time-tested ways of accomplishing this:

1. Write a sequential program that scales through use of available parallel library functions.
2. Write sequential plug-ins for a parallel framework, such as map-reduce, BOINC, or a web-application server.
3. Do such a good job of parallel design that the problem is fully partitioned, then just implement sequential program(s) that run in parallel without communication.
4. Stick to one of the application areas (such as linear algebra) where tools can automatically decompose and parallelize the problem.
5. Make extremely disciplined use of parallel-programming primitives, so that the resulting code is easily seen to be correct. But beware: It is always tempting to break the rules "just a little bit" to gain better performance or scalability. Breaking the rules often results in general breakage. That is, unless you carefully do the paperwork described in this section.

But the sad fact is that even if you do the paperwork or use one of the above ways to more-or-less safely avoid paperwork, there will be bugs. If nothing else, more users and a greater variety of users will expose more bugs more quickly, especially if those users are doing things that the original developers did not consider. The next section describes how to handle the probabilistic bugs that occur all too commonly when validating parallel software.

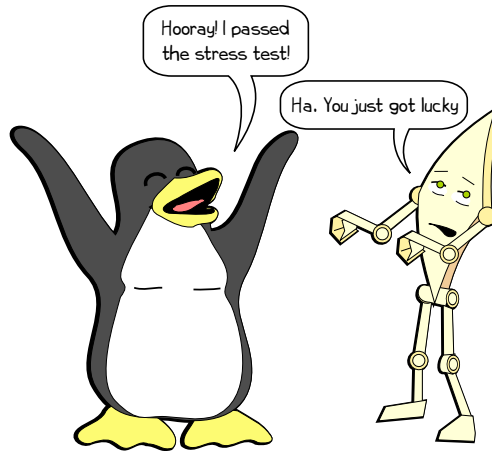


Figure 11.3: Passed on Merits? Or Dumb Luck?

## 11.6 Probability and Heisenbugs

So your parallel program fails. Sometimes.

But you used techniques from the earlier sections to locate the problem and now have a fix in place! Congratulations!!!

Now the question is just how much testing is required in order to be certain that you actually fixed the bug, as opposed to just reducing the probability of it occurring on the one hand, having fixed only one of several related bugs on the other and, or made some ineffectual unrelated change on yet a third hand. In short, what is the answer to the eternal question posed by Figure 11.3?

Unfortunately, the honest answer is that an infinite amount of testing is required to attain absolute certainty.

**Quick Quiz 11.7:** Suppose that you had a very large number of systems at your disposal. For example, at current cloud prices, you can purchase a huge amount of CPU time at a reasonably low cost. Why not use this approach to get close enough to certainty for all practical purposes? ■

But suppose that we are willing to give up absolute certainty in favor of high probability. Then we can bring powerful statistical tools to bear on this problem. However, this section will focus on simple statistical tools. These tools are extremely helpful, please note that reading this section not a substitute for taking a good set of statistics classes.<sup>6</sup>

For our start with simple statistical tools, we need to decide whether we are doing discrete or continuous testing. Discrete testing features well-defined individual test runs. For example, a boot-up test of a Linux kernel patch is an example of a discrete test. You boot the kernel, and it either comes up or it does not. Although you might spend an hour boot-testing your kernel, the number of times you attempted to boot the kernel and the number of times the boot-up succeeded would often be of more interest than the length

<sup>6</sup> Which I most highly recommend. The few statistics courses I have taken have provided value way out of proportion to the time I spent studying for them.



of time you spent testing. Functional tests tend to be discrete.

On the other hand, if my patch involved RCU, I would probably run rcutorture, which is a kernel module that, strangely enough, tests RCU. Unlike booting the kernel, where the appearance of a login prompt signals the successful end of a discrete test, rcutorture will happily continue torturing RCU until either the kernel crashes or until you tell it to stop. The duration of the rcutorture test is therefore (usually) of more interest than the number of times you started and stopped it. Therefore, rcutorture is an example of a continuous test, a category that includes many stress tests.

The statistics governing discrete and continuous tests differ somewhat. However, the statistics for discrete tests is simpler and more familiar than that for continuous tests, and furthermore the statistics for discrete tests can often be pressed into service (with some loss of accuracy) for continuous tests. We therefore start with discrete tests.

### 11.6.1 Statistics for Discrete Testing

Suppose that the bug had a 10% chance of occurring in a given run and that we do five runs. How do we compute that probability of at least one run failing? One way is as follows:

1. Compute the probability of a given run succeeding, which is 90%.
2. Compute the probability of all five runs succeeding, which is 0.9 raised to the fifth power, or about 59%.
3. There are only two possibilities: either all five runs succeed, or at least one fails. Therefore, the probability of at least one failure is 59% taken away from 100%, or 41%.

However, many people find it easier to work with a formula than a series of steps, although if you prefer the above series of steps, have at it! For those who like formulas, call the probability of a single failure  $f$ . The probability of a single success is then  $1 - f$  and the probability that all of  $n$  tests will succeed is then:

$$S_n = (1 - f)^n \quad (11.1)$$

The probability of failure is  $1 - S_n$ , or:

$$F_n = 1 - (1 - f)^n \quad (11.2)$$

**Quick Quiz 11.8:** Say what??? When I plug the earlier example of five tests each with a 10% failure rate into the formula, I get 59,050% and that just doesn't make sense!!! ■

So suppose that a given test has been failing 10% of the time. How many times do you have to run the test to be 99% sure that your supposed fix has actually improved matters?

Another way to ask this question is “how many times would we need to run the test to cause the probability of failure to rise above 99%?” After all, if we were to run the test enough times that the probability of seeing at least one failure becomes 99%, if there are no failures, there is only 1% probability of this being due to dumb luck. And if we plug  $f = 0.1$  into Equation 11.2 and vary  $n$ , we find that 43 runs gives us a 98.92% chance of at least one test failing given the original 10% per-test failure rate, while 44 runs gives us a 99.03% chance of at least one test failing. So if we run the test on our fix

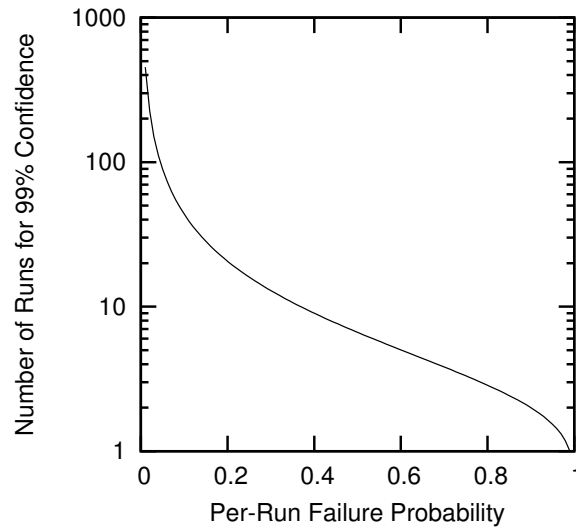


Figure 11.4: Number of Tests Required for 99 Percent Confidence Given Failure Rate

44 times and see no failures, there is a 99% probability that our fix was actually a real improvement.

But repeatedly plugging numbers into Equation 11.2 can get tedious, so let's solve for  $n$ :

$$F_n = 1 - (1 - f)^n \quad (11.3)$$

$$1 - F_n = (1 - f)^n \quad (11.4)$$

$$\log(1 - F_n) = n \log(1 - f) \quad (11.5)$$

Finally the number of tests required is given by:

$$n = \frac{\log(1 - F_n)}{\log(1 - f)} \quad (11.6)$$

Plugging  $f = 0.1$  and  $F_n = 0.99$  into Equation 11.6 gives 43.7, meaning that we need 44 consecutive successful test runs to be 99% certain that our fix was a real improvement. This matches the number obtained by the previous method, which is reassuring.

**Quick Quiz 11.9:** In Equation 11.6, are the logarithms base-10, base-2, or base- $e$ ?

Figure 11.4 shows a plot of this function. Not surprisingly, the less frequently each test run fails, the more test runs are required to be 99% confident that the bug has been fixed. If the bug caused the test to fail only 1% of the time, then a mind-boggling 458 test runs are required. As the failure probability decreases, the number of test runs required increases, going to infinity as the failure probability goes to zero.

The moral of this story is that when you have found a rarely occurring bug, your testing job will be much easier if you can come up with a carefully targeted test with a much higher failure rate. For example, if your targeted test raised the failure rate from 1% to 30%, then the number of runs required for 99% confidence would drop from 458 test runs to a mere thirteen test runs.

But these thirteen test runs would only give you 99% confidence that your fix had produced “some improvement”. Suppose you instead want to have 99% confidence that your fix reduced the failure rate by an order of magnitude. How many failure-free test runs are required?

An order of magnitude improvement from a 30% failure rate would be a 3% failure rate. Plugging these numbers into Equation 11.6 yields:

$$n = \frac{\log(1 - 0.99)}{\log(1 - 0.03)} = 151.2 \quad (11.7)$$

So our order of magnitude improvement requires roughly an order of magnitude more testing. Certainty is impossible, and high probabilities are quite expensive. Clearly making tests run more quickly and making failures more probable are essential skills in the development of highly reliable software. These skills will be covered in Section 11.6.4.

## 11.6.2 Abusing Statistics for Discrete Testing

But suppose that you have a continuous test that fails about three times every ten hours, and that you fix the bug that you believe was causing the failure. How long do you have to run this test without failure to be 99% certain that you reduced the probability of failure?

Without doing excessive violence to statistics, we could simply redefine a one-hour run to be a discrete test that has a 30% probability of failure. Then the results of in the previous section tell us that if the test runs for 13 hours without failure, there is a 99% probability that our fix actually improved the program’s reliability.

A dogmatic statistician might not approve of this approach, but the sad fact is that the errors introduced by this sort of abuse of statistical methodology are usually quite small compared to the errors inherent in your measurements of your program’s failure rates. Nevertheless, the next section describes a slightly less dodgy approach.

## 11.6.3 Statistics for Continuous Testing

This section contains more aggressive mathematics. If you are not in the mood for mathematical aggression, feel free to use the results of the previous section or to skip ahead to Section 11.6.3.2, possibly noting Equation 11.30 on page 282 for future reference.

### 11.6.3.1 Derivation of Poisson Distribution

As the number of tests  $n$  increases and the probability of per-test failure  $f$  decreases, it makes sense to move the mathematics to the continuous domain. It is convenient to define  $\lambda$  as  $nf$ : as we increase  $n$  and decrease  $f$ ,  $\lambda$  will remain fixed. Intuitively,  $\lambda$  is the expected number of failures per unit time.

What then is the probability of all  $n$  tests succeeding? This is given by:

$$(1 - f)^n \quad (11.8)$$

But because  $\lambda$  is equal to  $nf$ , we can solve for  $f$  and obtain  $f = \frac{\lambda}{n}$ . Substituting this into the previous equation yields:

$$\left(1 - \frac{\lambda}{n}\right)^n \quad (11.9)$$

Readers who are both alert and mathematically inclined will recognize this as approaching  $e^{-\lambda}$  as  $n$  increases without limit. In other words, if we expect  $\lambda$  failures from a test of a given duration, the probability  $F_0$  of zero failures from the test is given by:

$$F_0 = e^{-\lambda} \quad (11.10)$$

The next step is to compute the probability of all but one of  $n$  tests succeeding, which is:

$$\frac{n!}{1!(n-1)!} f(1-f)^{n-1} \quad (11.11)$$

The ratio of factorials accounts for the different permutations of test results. The  $f$  is the chance of the single failure, and the  $(1-f)^{n-1}$  is the chance that the rest of the tests succeed. The  $n!$  in the numerator allows for all permutations of  $n$  tests, while the two factors in the denominator allow for the indistinguishability of the one failure on the one hand and the  $n-1$  successes on the other.

Cancelling the factorials and multiplying top and bottom by  $1-f$  yields:

$$\frac{nf}{1-f}(1-f)^n \quad (11.12)$$

But because  $f$  is assumed to be arbitrarily small,  $1-f$  is arbitrarily close to the value one, allowing us to dispense with the denominator:

$$nf(1-f)^n \quad (11.13)$$

Substituting  $f = \frac{\lambda}{n}$  as before yields:

$$\lambda \left(1 - \frac{\lambda}{n}\right)^n \quad (11.14)$$

For large  $n$ , as before, the latter term is approximated by  $e^{-\lambda}$ , so that the probability of a single failure in a test from which  $\lambda$  failures were expected is given by:

$$F_1 = \lambda e^{-\lambda} \quad (11.15)$$

The third step is to compute the probability of all but two of the  $n$  tests succeeding, which is:

$$\frac{n!}{2!(n-2)!} f^2(1-f)^{n-2} \quad (11.16)$$

Cancelling the factorials and multiplying top and bottom by  $(1-f)^2$  yields:

$$\frac{n(n-1)f^2}{2(1-f)^2}(1-f)^n \quad (11.17)$$

Once again, because  $f$  is assumed to be arbitrarily small,  $(1-f)^2$  is arbitrarily close to the value one, once again allowing us to dispense with this portion of the denominator:

$$\frac{n(n-1)f^2}{2}(1-f)^n \quad (11.18)$$

Substituting  $f = \frac{\lambda}{n}$  once again yields:

$$\frac{n(n-1)\lambda^2}{2n^2}\left(1 - \frac{\lambda}{n}\right)^n \quad (11.19)$$

Because  $n$  is assumed large,  $n-1$  is arbitrarily close to  $n$ , allowing the  $n(n-1)$  in the numerator to be cancelled with the  $n^2$  in the denominator. And again, the final term is approximated by  $e^{-\lambda}$ , yielding the probability of two failures from a test from which  $\lambda$  failures were expected:

$$F_2 = \frac{\lambda^2}{2}e^{-\lambda} \quad (11.20)$$

We are now ready to try a more general result. Assume that there are  $m$  failures, where  $m$  is extremely small compared to  $n$ . Then we have:

$$\frac{n!}{m!(n-m)!}f^m(1-f)^{n-m} \quad (11.21)$$

Cancelling the factorials and multiplying top and bottom by  $(1-f)^m$  yields:

$$\frac{n(n-1)\dots(n-m+2)(n-m+1)f^m}{m!(1-f)^m}(1-f)^n \quad (11.22)$$

And you guessed it, because  $f$  is arbitrarily small,  $(1-f)^m$  is arbitrarily close to the value one and may therefore be dropped:

$$\frac{n(n-1)\dots(n-m+2)(n-m+1)f^m}{m!}(1-f)^n \quad (11.23)$$

Substituting  $f = \frac{\lambda}{n}$  one more time:

$$\frac{n(n-1)\dots(n-m+2)(n-m+1)\lambda^m}{m!n^m}\left(1 - \frac{\lambda}{n}\right)^n \quad (11.24)$$

Because  $m$  is small compared to  $n$ , we can cancel all but the last of the factors in the numerator with the  $n^m$  in the denominator, resulting in:

$$\frac{\lambda^m}{m!}\left(1 - \frac{\lambda}{n}\right)^n \quad (11.25)$$

As always, for large  $n$ , the last term is approximated by  $e^{-\lambda}$ , yielding the probability of  $m$  failures from a test from which  $\lambda$  failures were expected:

$$F_m = \frac{\lambda^m}{m!}e^{-\lambda} \quad (11.26)$$

This is the celebrated Poisson distribution. A more rigorous derivation may be found in any advanced probability textbook, for example, Feller's classic "An Introduction to Probability Theory and Its Applications" [Fel50].

### 11.6.3.2 Use of Poisson Distribution

Let's try reworking the example from Section 11.6.2 using the Poisson distribution. Recall that this example involved a test with a 30% failure rate per hour, and that the question was how long the test would need to run on a alleged fix to be 99% certain that the fix actually reduced the failure rate. Solving this requires setting  $e^{-\lambda}$  to 0.01 and solving for  $\lambda$ , resulting in:

$$\lambda = -\log 0.01 = 4.6 \quad (11.27)$$

Because we get 0.3 failures per hour, the number of hours required is  $4.6/0.3 = 14.3$ , which is within 10% of the 13 hours calculated using the method in Section 11.6.2. Given that you normally won't know your failure rate to within 10%, this indicates that the method in Section 11.6.2 is a good and sufficient substitute for the Poisson distribution in a great many situations.

More generally, if we have  $n$  failures per unit time, and we want to be  $P\%$  certain that a fix reduced the failure rate, we can use the following formula:

$$T = -\frac{1}{n} \log \frac{100 - P}{100} \quad (11.28)$$

**Quick Quiz 11.10:** Suppose that a bug causes a test failure three times per hour on average. How long must the test run error-free to provide 99.9% confidence that the fix significantly reduced the probability of failure? ■

As before, the less frequently the bug occurs and the greater the required level of confidence, the longer the required error-free test run.

Suppose that a given test fails about once every hour, but after a bug fix, a 24-hour test run fails only twice. What is the probability of this being due to random chance, in other words, what is the probability that the fix had no statistical effect? This probability may be calculated by summing Equation 11.26 as follows:

$$F_0 + F_1 + \dots + F_{m-1} + F_m = \sum_{i=0}^m \frac{\lambda^i}{i!} e^{-\lambda} \quad (11.29)$$

This is the Poisson cumulative distribution function, which can be written more compactly as:

$$F_{i \leq m} = \sum_{i=0}^m \frac{\lambda^i}{i!} e^{-\lambda} \quad (11.30)$$

Here  $m$  is the number of errors in the long test run (in this case, two) and  $\lambda$  is expected number of errors in the long test run (in this case, 24). Plugging  $m = 2$  and  $\lambda = 24$  into this expression gives the probability of two or fewer failures as about  $1.2 \times 10^{-8}$ , indicating that the odds are extremely good that the fix had a statistically significant effect.<sup>7</sup>

**Quick Quiz 11.11:** Doing the summation of all the factorials and exponentials is a real pain. Isn't there an easier way? ■

**Quick Quiz 11.12:** But wait!!! Given that there has to be *some* number of failures (including the possibility of zero failures), shouldn't the summation shown in Equation 11.30 approach the value 1 as  $m$  goes to infinity? ■

<sup>7</sup> Of course, this result in no way excuses you from finding and fixing the bug(s) resulting in the remaining two failures!

The Poisson distribution is a powerful tool for analyzing test results, but the fact is that in this last example there were still two remaining test failures in a 24-hour test run. Such a low failure rate results in very long test runs. The next section discusses counter-intuitive ways of improving this situation.

### 11.6.4 Hunting Heisenbugs

This line of thought also helps explain heisenbugs: adding tracing and assertions can easily reduce the probability of a bug appearing. And this is why extremely lightweight tracing and assertion mechanism are so critically important.

The name “heisenbug” stems from the Heisenberg Uncertainty Principle from quantum physics, which states that it is impossible to exactly quantify a given particle’s position and velocity at any given point in time [Hei27]. Any attempt to more accurately measure that particle’s position will result in increased uncertainty of its velocity. A similar effect occurs for heisenbugs: attempts to track down the heisenbug causes it to radically change its symptoms or even disappear completely.

If the field of physics inspired the name of this problem, it is only logical that we should look to the field of physics for the solution. Fortunately, particle physics is up to the task: Why not create an anti-heisenbug to annihilate the heisenbug?

This section describes a number of ways to do just that:

1. Add delay to race-prone regions.
2. Increase workload intensity.
3. Test suspicious subsystems in isolation.
4. Simulate unusual events.

Although producing an anti-heisenbug for a given heisenbug is more an art than a science, the following sections give some tips on generating the corresponding species of anti-heisenbug.

#### 11.6.4.1 Add Delay

Consider the count-lossy code in Section 5.1. Adding `printf()` statements will likely greatly reduce or even eliminate the lost counts. However, converting the load-add-store sequence to a load-add-delay-store sequence will greatly increase the incidence of lost counts (try it!). Once you spot a bug involving a race condition, it is frequently possible to create an anti-heisenbug by adding delay in this manner.

Of course, this begs the question of how to find the race condition in the first place. This is a bit of a dark art, but there are a number of things you can do to find them.

One approach is to recognize that race conditions often end up corrupting some of the data involved in the race. It is therefore good practice to double-check the synchronization of any corrupted data. Even if you cannot immediately recognize the race condition, adding delay before and after accesses to the corrupted data might change the failure rate. By adding and removing the delays in an organized fashion (e.g., binary search), you might learn more about the workings of the race condition.

**Quick Quiz 11.13:** How is this approach supposed to help if the corruption affected some unrelated pointer, which then caused the corruption??? ■

Another important approach is to vary the software and hardware configuration and look for statistically significant differences in failure rate. You can then look more

intensively at the code implicated by the software or hardware configuration changes that make the greatest difference in failure rate. It might be helpful to test that code in isolation, for example.

One important aspect of software configuration is the history of changes, which is why `git bisect` is so useful. Bisection of the change history can provide very valuable clues as to the nature of the heisenbug.

**Quick Quiz 11.14:** But I did the bisection, and ended up with a huge commit. What do I do now? ■

However you locate the suspicious section of code, you can then introduce delays to attempt to increase the probability of failure. As we have seen, increasing the probability of failure makes it much easier to gain high confidence in the corresponding fix.

However, it is sometimes quite difficult to track down the problem using normal debugging techniques. The following sections present some other alternatives.

#### 11.6.4.2 Increase Workload Intensity

It is often the case that a given test suite places relatively low stress on a given subsystem, so that a small change in timing can cause a heisenbug to disappear. One way to create an anti-heisenbug for this case is to increase the workload intensity, which has a good chance of increasing the probability of the bug appearing. If the probability is increased sufficiently, it may be possible to add lightweight diagnostics such as tracing without causing the bug to vanish.

How can you increase the workload intensity? This depends on the program, but here are some things to try:

1. Add more CPUs.
2. If the program uses networking, add more network adapters and more or faster remote systems.
3. If the program is doing heavy I/O when the problem occurs, either (1) add more storage devices, (2) use faster storage devices, for example, substitute SSDs for disks, or (3) use a RAM-based filesystem to substitute main memory for mass storage.
4. Change the size of the problem, for example, if doing a parallel matrix multiply, change the size of the matrix. Larger problems may introduce more complexity, but smaller problems often increase the level of contention. If you aren't sure whether you should go large or go small, just try both.

However, it is often the case that the bug is in a specific subsystem, and the structure of the program limits the amount of stress that can be applied to that subsystem. The next section addresses this situation.

#### 11.6.4.3 Isolate Suspicious Subsystems

If the program is structured such that it is difficult or impossible to apply much stress to a subsystem that is under suspicion, a useful anti-heisenbug is a stress test that tests that subsystem in isolation. The Linux kernel's `rcutorture` module takes exactly this approach with RCU: By applying more stress to RCU than is feasible in a production



environment, the probability that any RCU bugs will be found during rcutorture testing rather than during production use is increased.<sup>8</sup>

In fact, when creating a parallel program, it is wise to stress-test the components separately. Creating such component-level stress tests can seem like a waste of time, but a little bit of component-level testing can save a huge amount of system-level debugging.

#### 11.6.4.4 Simulate Unusual Events

Heisenbugs are sometimes due to unusual events, such as memory-allocation failure, conditional-lock-acquisition failure, CPU-hotplug operations, timeouts, packet losses, and so on. One way to construct an anti-heisenbug for this class of heisenbug is to introduce spurious failures.

For example, instead of invoking `malloc()` directly, invoke a wrapper function that uses a random number to decide whether to return `NULL` unconditionally on the one hand, or to actually invoke `malloc()` and return the resulting pointer on the other. Inducing spurious failures is an excellent way to bake robustness into sequential programs as well as parallel programs.

**Quick Quiz 11.15:** Why don't existing conditional-locking primitives provide this spurious-failure functionality? ■

Thus far, we have focused solely on bugs in the parallel program's functionality. However, because performance is a first-class requirement for a parallel program (otherwise, why not write a sequential program?), the next section looks into finding performance bugs.

## 11.7 Performance Estimation

Parallel programs usually have performance and scalability requirements, after all, if performance is not an issue, why not use a sequential program? Ultimate performance and linear scalability might not be necessary, but there is little use for a parallel program that runs slower than its optimal sequential counterpart. And there really are cases where every microsecond matters and every nanosecond is needed. Therefore, for parallel programs, insufficient performance is just as much a bug as is incorrectness.

**Quick Quiz 11.16:** That is ridiculous!!! After all, isn't getting the correct answer later than one would like *has* better than getting an incorrect answer?? ■

**Quick Quiz 11.17:** But if you are going to put in all the hard work of parallelizing an application, why not do it right? Why settle for anything less than optimal performance and linear scalability? ■

Validating a parallel program must therefore include validating its performance. But validating performance means having a workload to run and performance criteria with which to evaluate the program at hand. These needs are often met by *performance benchmarks*, which are discussed in the next section.

### 11.7.1 Benchmarking

The old saying goes "There are lies, damn lies, statistics, and benchmarks." However, benchmarks are heavily used, so it is not helpful to be too dismissive of them.

Benchmarks span the range from ad hoc test jigs to international standards, but regardless of their level of formality, benchmarks serve three major purposes:

---

<sup>8</sup> Though sadly not increased to probability one.

1. Providing a fair framework for comparing competing implementations.
2. Focusing competitive energy on improving implementations in ways that matter to users.
3. Serving as example uses of the implementations being benchmarked.
4. Serving as a marketing tool to highlight your software's strong points against your competitors' offerings.

Of course, the only completely fair framework is the intended application itself. So why would anyone who cared about fairness in benchmarking bother creating imperfect benchmarks rather than simply using the application itself as the benchmark?

Running the actual application is in fact the best approach where it is practical. Unfortunately, it is often impractical for the following reasons:

1. The application might be proprietary, and you might not have the right to run the intended application.
2. The application might require more hardware that you have access to.
3. The application might use data that you cannot legally access, for example, due to privacy regulations.

In these cases, creating a benchmark that approximates the application can help overcome these obstacles. A carefully constructed benchmark can help promote performance, scalability, energy efficiency, and much else besides.

### 11.7.2 Profiling

In many cases, a fairly small portion of your software is responsible for the majority of the performance and scalability shortfall. However, developers are notoriously unable to identify the actual bottlenecks by hand. For example, in the case of a kernel buffer allocator, all attention focused on a search of a dense array which turned out to represent only a few percent of the allocator's execution time. An execution profile collected via a logic analyzer focused attention on the cache misses that were actually responsible for the majority of the problem [MS93].

There are a number of tools including `gprof` and `perf` that can help you to focus your attention where it will do the most good.

### 11.7.3 Differential Profiling

Scalability problems will not necessarily be apparent unless you are running on very large systems. However, it is sometimes possible to detect impending scalability problems even when running on much smaller systems. One technique for doing this is called *differential profiling*.

The idea is to run your workload under two different sets of conditions. For example, you might run it on two CPUs, then run it again on four CPUs. You might instead vary the load placed on the system, the number of network adapters, the number of mass-storage devices, and so on. You then collect profiles of the two runs, and mathematically combine corresponding profile measurements. For example, if your main concern is scalability, you might take the ratio of corresponding measurements, and then sort the

ratios into descending numerical order. The prime scalability suspects will then be sorted to the top of the list /citeMcKenney95a,McKenney99b.

Some tools such as `perf` have built-in differential-profiling support.

#### 11.7.4 Microbenchmarking

Microbenchmarking can be useful when deciding which algorithms or data structures are worth incorporating into a larger body of software for deeper evaluation.

One common approach to microbenchmarking is to measure the time, run some number of iterations of the code under test, then measure the time again. The difference between the two times divided by the number of iterations gives the measured time required to execute the code under test.

Unfortunately, this approach to measurement allows any number of errors to creep in, including:

1. The measurement will include some of the overhead of the time measurement. This source of error can be reduced to an arbitrarily small value by increasing the number of iterations.
2. The first few iterations of the test might incur cache misses or (worse yet) page faults that might inflate the measured value. This source of error can also be reduced by increasing the number of iterations, or it can often be eliminated entirely by running a few warm-up iterations before starting the measurement period.
3. Some types of interference, for example, random memory errors, are so rare that they can be dealt with by running a number of sets of iterations of the test. If the level of interference was statistically significant, any performance outliers could be rejected statistically.
4. Any iteration of the test might be interfered with by other activity on the system. Sources of interference include other applications, system utilities and daemons, device interrupts, firmware interrupts (including system management interrupts, or SMIs), virtualization, memory errors, and much else besides. Assuming that these sources of interference occur randomly, their effect can be minimized by reducing the number of iterations.

The first and third sources of interference provide conflicting advice, which is one sign that we are living in the real world. The remainder of this section looks at ways of resolving this conflict.

**Quick Quiz 11.18:** But what about other sources of error, for example, due to interactions between caches and memory layout? ■

The following sections discuss ways of dealing with these measurement errors, with Section 11.7.5 covering isolation techniques that may be used to prevent some forms of interference, and with Section 11.7.6 covering methods for detecting interference so as to reject measurement data that might have been corrupted by that interference.

#### 11.7.5 Isolation

The Linux kernel provides a number of ways to isolate a group of CPUs from outside interference.

First, let's look at interference by other processes, threads, and tasks. The POSIX `sched_setaffinity()` system call may be used to move most tasks off of a given set of CPUs and to confine your tests to that same group. The Linux-specific user-level `taskset` command may be used for the same purpose, though both `sched_setaffinity()` and `taskset` require elevated permissions. Linux-specific control groups (cgroups) may be used for this same purpose. This approach can be quite effective at reducing interference, and is sufficient in many cases. However, it does have limitations, for example, it cannot do anything about the per-CPU kernel threads that are often used for housekeeping tasks.

One way to avoid interference from per-CPU kernel threads is to run your test at a high real-time priority, for example, by using the POSIX `sched_setscheduler()` system call. However, note that if you do this, you are implicitly taking on responsibility for avoiding infinite loops, because otherwise your test will prevent part of the kernel from functioning.<sup>9</sup>

These approaches can greatly reduce, and perhaps even eliminate, interference from processes, threads, and tasks. However, it does nothing to prevent interference from device interrupts, at least in the absence of threaded interrupts. Linux allows some control of threaded interrupts via the `/proc/irq` directory, which contains numerical directories, one per interrupt vector. Each numerical directory contains `smp_affinity` and `smp_affinity_list`. Given sufficient permissions, you can write a value to these files to restrict interrupts to the specified set of CPUs. For example, “`sudo echo 3 > /proc/irq/23/smp_affinity`” would confine interrupts on vector 23 to CPUs 0 and 1. The same results may be obtained via “`sudo echo 0-1 > /proc/irq/23/smp_affinity_list`”. You can use “`cat /proc/interrupts`” to obtain a list of the interrupt vectors on your system, how many are handled by each CPU, and what devices use each interrupt vector.

Running a similar command for all interrupt vectors on your system would confine interrupts to CPUs 0 and 1, leaving the remaining CPUs free of interference. Or mostly free of interference, anyway. It turns out that the scheduling-clock interrupt fires on each CPU that is running in user mode.<sup>10</sup> In addition you must take care to ensure that the set of CPUs that you confine the interrupts to is capable of handling the load.

But this only handles processes and interrupts running in the same operating-system instance as the test. Suppose that you are running the test in a guest OS that is itself running on a hypervisor, for example, Linux running KVM? Although you can in theory apply the same techniques at the hypervisor level that you can at the guest-OS level, it is quite common for hypervisor-level operations to be restricted to authorized personnel. In addition, none of these techniques work against firmware-level interference.

**Quick Quiz 11.19:** Wouldn't the techniques suggested to isolate the code under test also affect that code's performance, particularly if it is running within a larger application? ■

If you find yourself in this painful situation, instead of preventing the interference, you might need to detect the interference as described in the next section.

---

<sup>9</sup> This is an example of the Spiderman Principle: “With great power comes great responsibility.”

<sup>10</sup> Frederic Weisbecker is working on an adaptive-ticks project that will allow the scheduling-clock interrupt to be shut off on any CPU that has only one runnable task, but as of early 2013, this is unfortunately still work in progress.

```

1 #include <sys/time.h>
2 #include <sys/resource.h>
3
4 /* Return 0 if test results should be rejected. */
5 int runtest(void)
6 {
7     struct rusage ru1;
8     struct rusage ru2;
9
10    if (getrusage(RUSAGE_SELF, &ru1) != 0) {
11        perror("getrusage");
12        abort();
13    }
14    /* run test here. */
15    if (getrusage(RUSAGE_SELF, &ru2) != 0) {
16        perror("getrusage");
17        abort();
18    }
19    return (ru1.ru_nvcsw == ru2.ru_nvcsw &&
20            ru1.runivcsw == ru2.runivcsw);
21 }

```

Figure 11.5: Using getrusage() to Detect Context Switches

## 11.7.6 Detecting Interference

If you cannot prevent interference, perhaps you can detect the interference after the fact and reject the test runs that were affected by that interference. Section 11.7.6.1 describes methods of rejection involving additional measurements, while Section 11.7.6.2 describes statistics-based rejection.

### 11.7.6.1 Detecting Interference Via Measurement

Many systems, including Linux, provide means for determining after the fact whether some forms of interference have occurred. For example, if your test encountered process-based interference, a context switch must have occurred during the test. On Linux-based systems, this context switch will be visible in `/proc/<PID>/sched` in the `nr_switches` field. Similarly, interrupt-based interference can be detected via the `/proc/interrupts` file.

Opening and reading files is not the way to low overhead, and it is possible to get the count of context switches for a given thread by using the `getrusage()` system call, as shown in Figure 11.5. This same system call can be used to detect minor page faults (`ru_minflt`) and major page faults (`ru_majflt`).

Unfortunately, detecting memory errors and firmware interference is quite system-specific, as is the detection of interference due to virtualization. Although avoidance is better than detection, and detection is better than statistics, there are times when one must avail oneself of statistics, a topic addressed in the next section.

### 11.7.6.2 Detecting Interference Via Statistics

Any statistical analysis will be based on assumptions about the data, and performance microbenchmarks often support the following assumptions:

1. Smaller measurements are more likely to be accurate than larger measurements.
2. The measurement uncertainty of good data is known.

3. A reasonable fraction of the test runs will result in good data.

The fact that smaller measurements are more likely to be accurate than larger measurements suggests that sorting the measurements in increasing order is likely to be productive.<sup>11</sup> The fact that the measurement uncertainty is known allows us to accept measurements within this uncertainty of each other: If the effects of interference are large compared to this uncertainty, this will ease rejection of bad data. Finally, the fact that some fraction (for example, one third) can be assumed to be good allows us to blindly accept the first portion of the sorted list, and this data can then be used to gain an estimate of the natural variation of the measured data, over and above the assumed measurement error.

The approach is to take the specified number of leading elements from the beginning of the sorted list, and use these to estimate a typical inter-element delta, which in turn may be multiplied by the number of elements in the list to obtain an upper bound on permissible values. The algorithm then repeatedly considers the next element of the list. If it falls below the upper bound, and if the distance between the next element and the previous element is not too much greater than the average inter-element distance for the portion of the list accepted thus far, then the next element is accepted and the process repeats. Otherwise, the remainder of the list is rejected.

Figure 11.6 shows a simple `sh/awk` script implementing this notion. Input consists of an `x`-value followed by an arbitrarily long list of `y`-values, and output consists of one line for each input line, with fields as follows:

1. The `x`-value.
2. The average of the selected data.
3. The minimum of the selected data.
4. The maximum of the selected data.
5. The number of selected data items.
6. The number of input data items.

This script takes three optional arguments as follows:

- `--divisor`: Number of segments to divide the list into, for example, a divisor of four means that the first quarter of the data elements will be assumed to be good. This defaults to three.
- `--relerr`: Relative measurement error. The script assumes that values that differ by less than this error are for all intents and purposes equal. This defaults to 0.01, which is equivalent to 1%.
- `--trendbreak`: Ratio of inter-element spacing constituting a break in the trend of the data. For example, if the average spacing in the data accepted so far is 1.5, then if the trend-break ratio is 2.0, then if the next data value differs from the last one by more than 3.0, this constitutes a break in the trend. (Unless of course, the relative error is greater than 3.0, in which case the “break” will be ignored.)

---

<sup>11</sup> To paraphrase the old saying, “Sort first and ask questions later.”

Lines 1-3 of Figure 11.6 set the default values for the parameters, and lines 4-21 parse any command-line overriding of these parameters. The `awk` invocation on lines 23 and 24 sets the values of the `divisor`, `relerr`, and `trendbreak` variables to their `sh` counterparts. In the usual `awk` manner, lines 25-52 are executed on each input line. The loop spanning lines 24 and 26 copies the input `y`-values to the `d` array, which line 27 sorts into increasing order. Line 28 computes the number of `y`-values that are to be trusted absolutely by applying `divisor` and rounding up.

Lines 29-33 compute the `maxdelta` value used as a lower bound on the upper bound of `y`-values. To this end, lines 29 and 30 multiply the difference in values over the trusted region of data by the `divisor`, which projects the difference in values across the trusted region across the entire set of `y`-values. However, this value might well be much smaller than the relative error, so line 31 computes the absolute error (`d[i] * relerr`) and adds that to the difference `delta` across the trusted portion of the data. Lines 32 and 33 then compute the maximum of these two values.

Each pass through the loop spanning lines 34-43 attempts to add another data value to the set of good data. Lines 35-39 compute the trend-break delta, with line 36 disabling this limit if we don't yet have enough values to compute a trend, and with lines 38 and 39 multiplying `trendbreak` by the average difference between pairs of data values in the good set. If line 40 determines that the candidate data value would exceed the lower bound on the upper bound (`maxdelta`) and line 41 determines that the difference between the candidate data value and its predecessor exceeds the trend-break difference (`maxdiff`), then line 42 exits the loop: We have the full good set of data.

Lines 44-52 then compute and print the statistics for the data set.

**Quick Quiz 11.20:** This approach is just plain weird! Why not use means and standard deviations, like we were taught in our statistics classes? ■

**Quick Quiz 11.21:** But what if all the `y`-values in the trusted group of data are exactly zero? Won't that cause the script to reject any non-zero value? ■

Although statistical interference detection can be quite useful, it should be used only as a last resort. It is far better to avoid interference in the first place (Section 11.7.5), or, failing that, detecting interference via measurement (Section 11.7.6.1).

## 11.8 Summary

Although validation never will be an exact science, much can be gained by taking an organized approach to it, as an organized approach will help you choose the right validation tools for your job, avoiding situations like the one fancifully depicted in Figure 11.7.

A key choice is that of statistics. Although the methods described in this chapter work very well most of the time, they do have their limitations. These limitations are inherent because we are attempting to do something that is in general impossible, courtesy of the Halting Problem [Tur37, Pul00]. Fortunately for us, there are a huge number of special cases in which we can not only work out whether a given program will halt, but also establish estimates for how long it will run before halting, as discussed in Section 11.7. Furthermore, in cases where a given program might or might not work correctly, we can often establish estimates for what fraction of the time it will work correctly, as discussed in Section 11.6.

Nevertheless, unthinking reliance on these estimates is brave to the point of foolhardiness. After all, we are summarizing a huge mass of complexity in code and data structures down to a single solitary number. Even though we can get away with such

bravery a surprisingly large fraction of the time, it is only reasonable to expect that the code and data being abstracted away will occasionally cause severe problems.

One possible problem is variability, where repeated runs might give wildly different results. This is often dealt with by maintaining a standard deviation as well as a mean, but the fact is that attempting to summarize the behavior of a large and complex program with two numbers is almost as brave as summarizing its behavior with only one number. In computer programming, the surprising thing is that use of the mean or the mean and standard deviation are often sufficient, but there are no guarantees.

One cause of variation is confounding factors. For example, the CPU time consumed by a linked-list search will depend on the length of the list. Averaging together runs with wildly different list lengths will probably not be useful, and adding a standard deviation to the mean will not be much better. The right thing to do would be control for list length, either by holding the length constant or to measure CPU time as a function of list length.

Of course, this advice assumes that you are aware of the confounding factors, and Murphy says that you probably will not be. I have been involved in projects that had confounding factors as diverse as air conditioners (which drew considerable power at startup, thus causing the voltage supplied to the computer to momentarily drop too low, sometimes resulting in failure), cache state (resulting in odd variations in performance), I/O errors (including disk errors, packet loss, and duplicate Ethernet MAC addresses), and even porpoises (which could not resist playing with an array of transponders, which, in the absence of porpoises, could be used for high-precision acoustic positioning and navigation).

In short, validation always will require some measure of the behavior of the system. Because this measure must be a severe summarization of the system, it can be misleading. So as the saying goes, “Be careful. It is a real world out there.”

But suppose you are working on the Linux kernel, which as of 2013 has about a billion instances throughout the world? In that case, a bug that would be encountered once every million years will be encountered almost three times per day across the installed base. A test with a 50% chance of encountering this bug in a one-hour run would need to increase that bug’s probability of occurrence by more than nine orders of magnitude, which poses a severe challenge to today’s testing methodologies. One important tool that can sometimes be applied with good effect to such situations is formal validation, the subject of the next chapter.



```

1 divisor=3
2 relerr=0.01
3 trendbreak=10
4 while test $# -gt 0
5 do
6   case "$1" in
7     --divisor)
8       shift
9       divisor=$1
10      ;;
11     --relerr)
12       shift
13       relerr=$1
14      ;;
15     --trendbreak)
16       shift
17       trendbreak=$1
18      ;;
19     esac
20   shift
21 done
22
23 awk -v divisor=$divisor -v relerr=$relerr \
24     -v trendbreak=$trendbreak '{
25   for (i = 2; i <= NF; i++)
26     d[i - 1] = $i;
27   asort(d);
28   i = int((NF + divisor - 1) / divisor);
29   delta = d[i] - d[1];
30   maxdelta = delta * divisor;
31   maxdeltal = delta + d[i] * relerr;
32   if (maxdeltal > maxdelta)
33     maxdelta = maxdeltal;
34   for (j = i + 1; j < NF; j++) {
35     if (j <= 2)
36       maxdiff = d[NF - 1] - d[1];
37     else
38       maxdiff = trendbreak * \
39         (d[j - 1] - d[1]) / (j - 2);
40     if (d[j] - d[1] > maxdelta && \
41         d[j] - d[j - 1] > maxdiff)
42       break;
43   }
44   n = sum = 0;
45   for (k = 1; k < j; k++) {
46     sum += d[k];
47     n++;
48   }
49   min = d[1];
50   max = d[j - 1];
51   avg = sum / n;
52   print $1, avg, min, max, n, NF - 1;
53 }'
```

Figure 11.6: Statistical Elimination of Interference

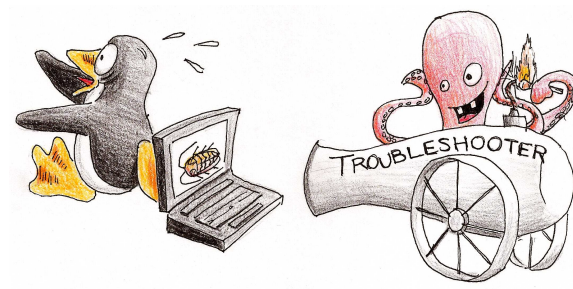


Figure 11.7: Choose Validation Methods Wisely

## Chapter 12

# Formal Verification

Parallel algorithms can be hard to write, and even harder to debug. Testing, though essential, is insufficient, as fatal race conditions can have extremely low probabilities of occurrence. Proofs of correctness can be valuable, but in the end are just as prone to human error as is the original algorithm. In addition, a proof of correctness cannot be expected to find errors in your assumptions, shortcomings in the requirements, misunderstandings of the underlying software or hardware primitives, or errors that you did not think to construct a proof for. This means that formal methods can never replace testing, however, formal methods are nevertheless a valuable addition to your validation toolbox.

It would be very helpful to have a tool that could somehow locate all race conditions. A number of such tools exist, for example, the language Promela and its compiler Spin, which are described in this chapter. Section 12.1 provide an introduction to Promela and Spin, Section 12.2 demonstrates use of Promela and Spin to find a race in a non-atomic increment example, Section 12.3 uses Promela and Spin to validate a similar atomic-increment example, Section 12.4 gives an overview of using Promela and Spin, Section 12.5 demonstrates a Promela model of a spinlock, Section 12.6 applies Promela and spin to validate a simple RCU implementation, Section 12.7 applies Promela to validate an interface between preemptible RCU and the dyntick-idle energy-conservation feature in the Linux kernel, Section 12.8 presents a simpler interface that does not require formal verification, Section 12.9 describes the PPCMEM tool that understands ARM and Power memory ordering, and finally Section 12.10 sums up use of formal-verification tools for verifying parallel algorithms.

### 12.1 What are Promela and Spin?

Promela is a language designed to help verify protocols, but which can also be used to verify small parallel algorithms. You recode your algorithm and correctness constraints in the C-like language Promela, and then use Spin to translate it into a C program that you can compile and run. The resulting program conducts a full state-space search of your algorithm, either verifying or finding counter-examples for assertions that you can include in your Promela program.

This full-state search can extremely powerful, but can also be a two-edged sword. If your algorithm is too complex or your Promela implementation is careless, there might be more states than fit in memory. Furthermore, even given sufficient memory, the

```

1 #define NUMPROCS 2
2
3 byte counter = 0;
4 byte progress[NUMPROCS];
5
6 proctype incrementer(byte me)
7 {
8     int temp;
9
10    temp = counter;
11    counter = temp + 1;
12    progress[me] = 1;
13 }
14
15 init {
16     int i = 0;
17     int sum = 0;
18
19     atomic {
20         i = 0;
21         do
22             :: i < NUMPROCS ->
23                 progress[i] = 0;
24                 run incrementer(i);
25                 i++;
26             :: i >= NUMPROCS -> break
27         od;
28     }
29     atomic {
30         i = 0;
31         sum = 0;
32         do
33             :: i < NUMPROCS ->
34                 sum = sum + progress[i];
35                 i++;
36             :: i >= NUMPROCS -> break
37         od;
38         assert(sum < NUMPROCS || counter == NUMPROCS)
39     }
40 }

```

Figure 12.1: Promela Code for Non-Atomic Increment

state-space search might well run for longer than the expected lifetime of the universe. Therefore, use this tool for compact but complex parallel algorithms. Attempts to naively apply it to even moderate-scale algorithms (let alone the full Linux kernel) will end badly.

Promela and Spin may be downloaded from <http://spinroot.com/spin/whatispin.html>.

The above site also gives links to Gerard Holzmann's excellent book [Hol03] on Promela and Spin, as well as searchable online references starting at: <http://www.spinroot.com/spin/Man/index.html>.

The remainder of this article describes how to use Promela to debug parallel algorithms, starting with simple examples and progressing to more complex uses.

## 12.2 Promela Example: Non-Atomic Increment

Figure 12.1 demonstrates the textbook race condition resulting from non-atomic increment. Line 1 defines the number of processes to run (we will vary this to see the effect on state space), line 3 defines the counter, and line 4 is used to implement the assertion that appears on lines 29-39.

```

pan: assertion violated ((sum<2)||counter==2) (at depth 20)
pan: wrote increment.spin.trail
(Spin Version 4.2.5 -- 2 April 2005)
Warning: Search not completed
      + Partial Order Reduction

Full statespace search for:
  never claim          - (none specified)
  assertion violations  +
  cycle checks         - (disabled by -DSAFETY)
  invalid end states   +

State-vector 40 byte, depth reached 22, errors: 1
  45 states, stored
  13 states, matched
  58 transitions (= stored+matched)
  51 atomic steps
hash conflicts: 0 (resolved)

2.622 memory usage (Mbyte)

```

Figure 12.2: Non-Atomic Increment spin Output

Lines 6-13 define a process that increments the counter non-atomically. The argument `me` is the process number, set by the initialization block later in the code. Because simple Promela statements are each assumed atomic, we must break the increment into the two statements on lines 10-11. The assignment on line 12 marks the process's completion. Because the Spin system will fully search the state space, including all possible sequences of states, there is no need for the loop that would be used for conventional testing.

Lines 15-40 are the initialization block, which is executed first. Lines 19-28 actually do the initialization, while lines 29-39 perform the assertion. Both are atomic blocks in order to avoid unnecessarily increasing the state space: because they are not part of the algorithm proper, we lose no verification coverage by making them atomic.

The `do-od` construct on lines 21-27 implements a Promela loop, which can be thought of as a C `for ( ; ; )` loop containing a `switch` statement that allows expressions in case labels. The condition blocks (prefixed by `:`) are scanned non-deterministically, though in this case only one of the conditions can possibly hold at a given time. The first block of the `do-od` from lines 22-25 initializes the *i*-th incrementer's progress cell, runs the *i*-th incrementer's process, and then increments the variable *i*. The second block of the `do-od` on line 26 exits the loop once these processes have been started.

The atomic block on lines 29-39 also contains a similar `do-od` loop that sums up the progress counters. The `assert()` statement on line 38 verifies that if all processes have been completed, then all counts have been correctly recorded.

You can build and run this program as follows:

```

spin -a increment.spin # Translate the model to C
cc -DSAFETY -o pan pan.c # Compile the model
./pan # Run the model

```

This will produce output as shown in Figure 12.2. The first line tells us that our assertion was violated (as expected given the non-atomic increment!). The second line that a `trail` file was written describing how the assertion was violated. The "Warning" line reiterates that all was not well with our model. The second paragraph describes the type of state-search being carried out, in this case for assertion violations and invalid end states. The third paragraph gives state-size statistics: this small model had only 45

states. The final line shows memory usage.

The `trail` file may be rendered human-readable as follows:

```
spin -t -p increment.spin

Starting :init: with pid 0
1: proc 0 (:init:) line 20 "increment.spin" (state 1) [i = 0]
2: proc 0 (:init:) line 22 "increment.spin" (state 2) [((i<2))]
2: proc 0 (:init:) line 23 "increment.spin" (state 3) [progress[i] = 0]
Starting incremter with pid 1
3: proc 0 (:init:) line 24 "increment.spin" (state 4) [(run incremter(i))]
3: proc 0 (:init:) line 25 "increment.spin" (state 5) [i = (i+1)]
4: proc 0 (:init:) line 22 "increment.spin" (state 2) [((i<2))]
4: proc 0 (:init:) line 23 "increment.spin" (state 3) [progress[i] = 0]
Starting incremter with pid 2
5: proc 0 (:init:) line 24 "increment.spin" (state 4) [(run incremter(i))]
5: proc 0 (:init:) line 25 "increment.spin" (state 5) [i = (i+1)]
6: proc 0 (:init:) line 26 "increment.spin" (state 6) [((i>=2))]
7: proc 0 (:init:) line 21 "increment.spin" (state 10) [break]
8: proc 2 (incremter) line 10 "increment.spin" (state 1) [temp = counter]
9: proc 1 (incremter) line 10 "increment.spin" (state 1) [temp = counter]
10: proc 2 (incremter) line 11 "increment.spin" (state 2) [counter = (temp+1)]
11: proc 2 (incremter) line 12 "increment.spin" (state 3) [progress[me] = 1]
12: proc 2 terminates
13: proc 1 (incremter) line 11 "increment.spin" (state 2) [counter = (temp+1)]
14: proc 1 (incremter) line 12 "increment.spin" (state 3) [progress[me] = 1]
15: proc 1 terminates
16: proc 0 (:init:) line 30 "increment.spin" (state 12) [i = 0]
16: proc 0 (:init:) line 31 "increment.spin" (state 13) [sum = 0]
17: proc 0 (:init:) line 33 "increment.spin" (state 14) [((i<2))]
17: proc 0 (:init:) line 34 "increment.spin" (state 15) [sum = (sum+progress[i])]
17: proc 0 (:init:) line 35 "increment.spin" (state 16) [i = (i+1)]
18: proc 0 (:init:) line 33 "increment.spin" (state 14) [((i<2))]
18: proc 0 (:init:) line 34 "increment.spin" (state 15) [sum = (sum+progress[i])]
18: proc 0 (:init:) line 35 "increment.spin" (state 16) [i = (i+1)]
19: proc 0 (:init:) line 36 "increment.spin" (state 17) [((i>=2))]
20: proc 0 (:init:) line 32 "increment.spin" (state 21) [break]
spin: line 38 "increment.spin", Error: assertion violated
spin: text of failed assertion: assert(((sum<2)||counter==2))
21: proc 0 (:init:) line 38 "increment.spin" (state 22)
[assert(((sum<2)||counter==2))]
spin: trail ends after 21 steps
#processes: 1
    counter = 1
    progress[0] = 1
    progress[1] = 1
21: proc 0 (:init:) line 40 "increment.spin" (state 24) <valid end state>
3 processes created
```

Figure 12.3: Non-Atomic Increment Error Trail

This gives the output shown in Figure 12.3. As can be seen, the first portion of the `init` block created both `incremter` processes, both of which first fetched the counter, then both incremented and stored it, losing a count. The assertion then triggered, after which the global state is displayed.

## 12.3 Promela Example: Atomic Increment

It is easy to fix this example by placing the body of the `incremter` processes in an atomic blocks as shown in Figure 12.4. One could also have simply replaced the pair of statements with `counter = counter + 1`, because Promela statements are

```

1 proctype incrementer(byte me)
2 {
3   int temp;
4
5   atomic {
6     temp = counter;
7     counter = temp + 1;
8   }
9   progress[me] = 1;
10 }

```

Figure 12.4: Promela Code for Atomic Increment

```

(Spin Version 4.2.5 -- 2 April 2005)
+ Partial Order Reduction

Full statespace search for:
  never claim           - (none specified)
  assertion violations  +
  cycle checks          - (disabled by -DSAFETY)
  invalid end states   +

State-vector 40 byte, depth reached 20, errors: 0
  52 states, stored
  21 states, matched
  73 transitions (= stored+matched)
  66 atomic steps
hash conflicts: 0 (resolved)

2.622  memory usage (Mbyte)

unreached in proctype incrementer
  (0 of 5 states)
unreached in proctype :init:
  (0 of 24 states)

```

Figure 12.5: Atomic Increment spin Output

# incrementers	# states	megabytes
1	11	2.6
2	52	2.6
3	372	2.6
4	3,496	2.7
5	40,221	5.0
6	545,720	40.5
7	8,521,450	652.7

Table 12.1: Memory Usage of Increment Model

atomic. Either way, running this modified model gives us an error-free traversal of the state space, as shown in Figure 12.5.

### 12.3.1 Combinatorial Explosion

Table 12.1 shows the number of states and memory consumed as a function of number of incrementers modeled (by redefining `NUMPROCS`):

Running unnecessarily large models is thus subtly discouraged, although 652MB is well within the limits of modern desktop and laptop machines.

With this example under our belt, let’s take a closer look at the commands used to analyze Promela models and then look at more elaborate examples.

## 12.4 How to Use Promela

Given a source file `qrcu.spin`, one can use the following commands:

- `spin -a qrcu.spin` Create a file `pan.c` that fully searches the state machine.
- `cc -DSAFETY -o pan pan.c` Compile the generated state-machine search. The `-DSAFETY` generates optimizations that are appropriate if you have only assertions (and perhaps `never` statements). If you have liveness, fairness, or forward-progress checks, you may need to compile without `-DSAFETY`. If you leave off `-DSAFETY` when you could have used it, the program will let you know. The optimizations produced by `-DSAFETY` greatly speed things up, so you should use it when you can. An example situation where you cannot use `-DSAFETY` is when checking for livelocks (AKA “non-progress cycles”) via `-DNP`.
- `./pan` This actually searches the state space. The number of states can reach into the tens of millions with very small state machines, so you will need a machine with large memory. For example, `qrcu.spin` with 3 readers and 2 updaters required 2.7GB of memory.

If you aren’t sure whether your machine has enough memory, run `top` in one window and `./pan` in another. Keep the focus on the `./pan` window so that you can quickly kill execution if need be. As soon as CPU time drops much below 100%, kill `./pan`. If you have removed focus from the window running `./pan`, you may wait a long time for the windowing system to grab enough memory to do anything for you.



Don't forget to capture the output, especially if you are working on a remote machine,

If your model includes forward-progress checks, you will likely need to enable “weak fairness” via the `-f` command-line argument to `./pan`. If your forward-progress checks involve `accept` labels, you will also need the `-a` argument.

- `spin -t -p qrcu.spin` Given `trail` file output by a run that encountered an error, output the sequence of steps leading to that error. The `-g` flag will also include the values of changed global variables, and the `-l` flag will also include the values of changed local variables.

### 12.4.1 Promela Peculiarities

Although all computer languages have underlying similarities, Promela will provide some surprises to people used to coding in C, C++, or Java.

1. In C, “`;`” terminates statements. In Promela it separates them. Fortunately, more recent versions of Spin have become much more forgiving of “extra” semicolons.
2. Promela's looping construct, the `do` statement, takes conditions. This `do` statement closely resembles a looping if-then-else statement.
3. In C's `switch` statement, if there is no matching case, the whole statement is skipped. In Promela's equivalent, confusingly called `if`, if there is no matching guard expression, you get an error without a recognizable corresponding error message. So, if the error output indicates an innocent line of code, check to see if you left out a condition from an `if` or `do` statement.
4. When creating stress tests in C, one usually races suspect operations against each other repeatedly. In Promela, one instead sets up a single race, because Promela will search out all the possible outcomes from that single race. Sometimes you do need to loop in Promela, for example, if multiple operations overlap, but doing so greatly increases the size of your state space.
5. In C, the easiest thing to do is to maintain a loop counter to track progress and terminate the loop. In Promela, loop counters must be avoided like the plague because they cause the state space to explode. On the other hand, there is no penalty for infinite loops in Promela as long as the none of the variables monotonically increase or decrease – Promela will figure out how many passes through the loop really matter, and automatically prune execution beyond that point.
6. In C torture-test code, it is often wise to keep per-task control variables. They are cheap to read, and greatly aid in debugging the test code. In Promela, per-task control variables should be used only when there is no other alternative. To see this, consider a 5-task verification with one bit each to indicate completion. This gives 32 states. In contrast, a simple counter would have only six states, more than a five-fold reduction. That factor of five might not seem like a problem, at least not until you are struggling with a verification program possessing more than 150 million states consuming more than 10GB of memory!

```

1 i = 0;
2 sum = 0;
3 do
4 :: i < N_QRCU_READERS ->
5   sum = sum + (readerstart[i] == 1 &&
6     readerprogress[i] == 1);
7   i++;
8 :: i >= N_QRCU_READERS ->
9   assert(sum == 0);
10  break
11 od

```

Figure 12.6: Complex Promela Assertion

7. One of the most challenging things both in C torture-test code and in Promela is formulating good assertions. Promela also allows `never` claims that act sort of like an assertion replicated between every line of code.
8. Dividing and conquering is extremely helpful in Promela in keeping the state space under control. Splitting a large model into two roughly equal halves will result in the state space of each half being roughly the square root of the whole. For example, a million-state combined model might reduce to a pair of thousand-state models. Not only will Promela handle the two smaller models much more quickly with much less memory, but the two smaller algorithms are easier for people to understand.

## 12.4.2 Promela Coding Tricks

Promela was designed to analyze protocols, so using it on parallel programs is a bit abusive. The following tricks can help you to abuse Promela safely:

1. Memory reordering. Suppose you have a pair of statements copying globals `x` and `y` to locals `r1` and `r2`, where ordering matters (e.g., unprotected by locks), but where you have no memory barriers. This can be modeled in Promela as follows:

```

1 if
2 :: 1 -> r1 = x;
3   r2 = y
4 :: 1 -> r2 = y;
5   r1 = x
6 fi

```

The two branches of the `if` statement will be selected nondeterministically, since they both are available. Because the full state space is searched, *both* choices will eventually be made in all cases.

Of course, this trick will cause your state space to explode if used too heavily. In addition, it requires you to anticipate possible reorderings.

2. State reduction. If you have complex assertions, evaluate them under `atomic`. After all, they are not part of the algorithm. One example of a complex assertion (to be discussed in more detail later) is as shown in Figure 12.6.

There is no reason to evaluate this assertion non-atomically, since it is not actually part of the algorithm. Because each statement contributes to state, we can reduce the number of useless states by enclosing it in an `atomic` block as shown in Figure 12.7

```

1 atomic {
2   i = 0;
3   sum = 0;
4   do
5     :: i < N_QRCU_READERS ->
6       sum = sum + (readerstart[i] == 1 &&
7         readerprogress[i] == 1);
8     i++;
9     :: i >= N_QRCU_READERS ->
10    assert(sum == 0);
11    break
12  od
13 }

```

Figure 12.7: Atomic Block for Complex Promela Assertion

```

1 #define spin_lock(mutex) \
2   do \
3     :: 1 -> atomic { \
4       if \
5         :: mutex == 0 -> \
6           mutex = 1; \
7           break \
8         :: else -> skip \
9       fi \
10    } \
11  od
12
13 #define spin_unlock(mutex) \
14   mutex = 0

```

Figure 12.8: Promela Code for Spinlock

3. Promela does not provide functions. You must instead use C preprocessor macros. However, you must use them carefully in order to avoid combinatorial explosion.

Now we are ready for more complex examples.

## 12.5 Promela Example: Locking

Since locks are generally useful, `spin_lock()` and `spin_unlock()` macros are provided in `lock.h`, which may be included from multiple Promela models, as shown in Figure 12.8. The `spin_lock()` macro contains an infinite do-od loop spanning lines 2-11, courtesy of the single guard expression of “1” on line 3. The body of this loop is a single atomic block that contains an if-fi statement. The if-fi construct is similar to the do-od construct, except that it takes a single pass rather than looping. If the lock is not held on line 5, then line 6 acquires it and line 7 breaks out of the enclosing do-od loop (and also exits the atomic block). On the other hand, if the lock is already held on line 8, we do nothing (`skip`), and fall out of the if-fi and the atomic block so as to take another pass through the outer loop, repeating until the lock is available.

The `spin_unlock()` macro simply marks the lock as no longer held.

Note that memory barriers are not needed because Promela assumes full ordering. In any given Promela state, all processes agree on both the current state and the order of state changes that caused us to arrive at the current state. This is analogous to the “sequentially consistent” memory model used by a few computer systems (such as MIPS and PA-RISC). As noted earlier, and as will be seen in a later example, weak memory ordering must be explicitly coded.

```

1 #include "lock.h"
2
3 #define N_LOCKERS 3
4
5 bit mutex = 0;
6 bit havelock[N_LOCKERS];
7 int sum;
8
9 proctype locker(byte me)
10 {
11   do
12     :: 1 ->
13     spin_lock(mutex);
14     havelock[me] = 1;
15     havelock[me] = 0;
16     spin_unlock(mutex)
17   od
18 }
19
20 init {
21   int i = 0;
22   int j;
23
24 end: do
25   :: i < N_LOCKERS ->
26   havelock[i] = 0;
27   run locker(i);
28   i++
29   :: i >= N_LOCKERS ->
30   sum = 0;
31   j = 0;
32   atomic {
33     do
34       :: j < N_LOCKERS ->
35       sum = sum + havelock[j];
36       j = j + 1
37       :: j >= N_LOCKERS ->
38       break
39     od
40   }
41   assert(sum <= 1);
42   break
43 od
44 }

```

Figure 12.9: Promela Code to Test Spinlocks

These macros are tested by the Promela code shown in Figure 12.9. This code is similar to that used to test the increments, with the number of locking processes defined by the `N_LOCKERS` macro definition on line 3. The mutex itself is defined on line 5, an array to track the lock owner on line 6, and line 7 is used by assertion code to verify that only one process holds the lock.

The locker process is on lines 9-18, and simply loops forever acquiring the lock on line 13, claiming it on line 14, unclaiming it on line 15, and releasing it on line 16.

The init block on lines 20-44 initializes the current locker's havelock array entry on line 26, starts the current locker on line 27, and advances to the next locker on line 28. Once all locker processes are spawned, the do-od loop moves to line 29, which checks the assertion. Lines 30 and 31 initialize the control variables, lines 32-40 atomically sum the havelock array entries, line 41 is the assertion, and line 42 exits the loop.

We can run this model by placing the above two code fragments into files named `lock.h` and `lock.spin`, respectively, and then running the following commands:

```
spin -a lock.spin
cc -DSAFETY -o pan pan.c
./pan

(Spin Version 4.2.5 -- 2 April 2005)
+ Partial Order Reduction

Full statespace search for:
  never claim           - (none specified)
  assertion violations  +
  cycle checks          - (disabled by -DSAFETY)
  invalid end states   +

State-vector 40 byte, depth reached 357, errors: 0
  564 states, stored
  929 states, matched
  1493 transitions (= stored+matched)
  368 atomic steps
hash conflicts: 0 (resolved)

2.622  memory usage (Mbyte)

unreached in proctype locker
  line 18, state 20, "-end-"
  (1 of 20 states)
unreached in proctype :init:
  (0 of 22 states)
```

Figure 12.10: Output for Spinlock Test

The output will look something like that shown in Figure 12.10. As expected, this run has no assertion failures (“errors: 0”).

**Quick Quiz 12.1:** Why is there an unreached statement in `locker`? After all, isn't this a *full* state-space search? ■

**Quick Quiz 12.2:** What are some Promela code-style issues with this example? ■

## 12.6 Promela Example: QRCU

This final example demonstrates a real-world use of Promela on Oleg Nesterov's QRCU [Nes06a, Nes06b], but modified to speed up the `synchronize_qrcu()` fastpath.

But first, what is QRCU?

QRCU is a variant of SRCU [McK06b] that trades somewhat higher read overhead (atomic increment and decrement on a global variable) for extremely low grace-period latencies. If there are no readers, the grace period will be detected in less than a microsecond, compared to the multi-millisecond grace-period latencies of most other RCU implementations.

1. There is a `qrcu_struct` that defines a QRCU domain. Like SRCU (and unlike other variants of RCU) QRCU's action is not global, but instead focused on the specified `qrcu_struct`.
2. There are `qrcu_read_lock()` and `qrcu_read_unlock()` primitives that delimit QRCU read-side critical sections. The corresponding `qrcu_struct` must be passed into these primitives, and the return value from `qrcu_read_lock()` must be passed to `qrcu_read_unlock()`.

For example:

```
idx = qrcu_read_lock(&my_qrcu_struct);
/* read-side critical section. */
qrcu_read_unlock(&my_qrcu_struct, idx);
```

3. There is a `synchronize_qrcu()` primitive that blocks until all pre-existing QRCU read-side critical sections complete, but, like SRCU's `synchronize_srcu()`, QRCU's `synchronize_qrcu()` need wait only for those read-side critical sections that are using the same `qrcu_struct`.

For example, `synchronize_qrcu(&your_qrcu_struct)` would *not* need to wait on the earlier QRCU read-side critical section. In contrast, `synchronize_qrcu(&my_qrcu_struct)` *would* need to wait, since it shares the same `qrcu_struct`.

A Linux-kernel patch for QRCU has been produced [McK07b], but has not yet been included in the Linux kernel as of April 2008.

```
1 #include "lock.h"
2
3 #define N_QRCU_READERS 2
4 #define N_QRCU_UPDATERS 2
5
6 bit idx = 0;
7 byte ctr[2];
8 byte readerprogress[N_QRCU_READERS];
9 bit mutex = 0;
```

Figure 12.11: QRCU Global Variables

Returning to the Promela code for QRCU, the global variables are as shown in Figure 12.11. This example uses locking, hence including `lock.h`. Both the number of readers and writers can be varied using the two `#define` statements, giving us not one but two ways to create combinatorial explosion. The `idx` variable controls which of the two elements of the `ctr` array will be used by readers, and the `readerprogress` variable allows to assertion to determine when all the readers are finished (since a QRCU update cannot be permitted to complete until all pre-existing readers have completed their QRCU read-side critical sections). The `readerprogress` array elements have values as follows, indicating the state of the corresponding reader:

1. 0: not yet started.
2. 1: within QRCU read-side critical section.
3. 2: finished with QRCU read-side critical section.

Finally, the `mutex` variable is used to serialize updaters' slowpaths.

```

1 proctype qrcu_reader(byte me)
2 {
3   int myidx;
4
5   do
6     :: 1 ->
7     myidx = idx;
8     atomic {
9       if
10        :: ctr[myidx] > 0 ->
11        ctr[myidx]++;
12        break
13        :: else -> skip
14      fi
15    }
16  od;
17  readerprogress[me] = 1;
18  readerprogress[me] = 2;
19  atomic { ctr[myidx]-- }
20 }
```

Figure 12.12: QRCU Reader Process

QRCU readers are modeled by the `qrcu_reader()` process shown in Figure 12.12. A do-od loop spans lines 5-16, with a single guard of “1” on line 6 that makes it an infinite loop. Line 7 captures the current value of the global index, and lines 8-15 atomically increment it (and break from the infinite loop) if its value was non-zero (`atomic_inc_not_zero()`). Line 17 marks entry into the RCU read-side critical section, and line 18 marks exit from this critical section, both lines for the benefit of the `assert()` statement that we shall encounter later. Line 19 atomically decrements the same counter that we incremented, thereby exiting the RCU read-side critical section.

```

1 #define sum_unordered \
2   atomic { \
3     do \
4       :: 1 -> \
5       sum = ctr[0]; \
6       i = 1; \
7       break \
8     :: 1 -> \
9     sum = ctr[1]; \
10    i = 0; \
11    break \
12  od; \
13 } \
14 sum = sum + ctr[i]
```

Figure 12.13: QRCU Unordered Summation

The C-preprocessor macro shown in Figure 12.13 sums the pair of counters so as to emulate weak memory ordering. Lines 2-13 fetch one of the counters, and line 14 fetches the other of the pair and sums them. The atomic block consists of a single do-od statement. This do-od statement (spanning lines 3-12) is unusual in that it contains

two unconditional branches with guards on lines 4 and 8, which causes Promela to non-deterministically choose one of the two (but again, the full state-space search causes Promela to eventually make all possible choices in each applicable situation). The first branch fetches the zero-th counter and sets `i` to 1 (so that line 14 will fetch the first counter), while the second branch does the opposite, fetching the first counter and setting `i` to 0 (so that line 14 will fetch the second counter).

**Quick Quiz 12.3:** Is there a more straightforward way to code the do-od statement?

With the `sum_unordered` macro in place, we can now proceed to the update-side process shown in Figure. The update-side process repeats indefinitely, with the corresponding do-od loop ranging over lines 7-57. Each pass through the loop first snapshots the global `readerprogress` array into the local `readerstart` array on lines 12-21. This snapshot will be used for the assertion on line 53. Line 23 invokes `sum_unordered`, and then lines 24-27 re-invoke `sum_unordered` if the fastpath is potentially usable.

Lines 28-40 execute the slowpath code if need be, with lines 30 and 38 acquiring and releasing the update-side lock, lines 31-33 flipping the index, and lines 34-37 waiting for all pre-existing readers to complete.

Lines 44-56 then compare the current values in the `readerprogress` array to those collected in the `readerstart` array, forcing an assertion failure should any readers that started before this update still be in progress.

**Quick Quiz 12.4:** Why are there atomic blocks at lines 12-21 and lines 44-56, when the operations within those atomic blocks have no atomic implementation on any current production microprocessor?

**Quick Quiz 12.5:** Is the re-summing of the counters on lines 24-27 *really* necessary?

All that remains is the initialization block shown in Figure 12.15. This block simply initializes the counter pair on lines 5-6, spawns the reader processes on lines 7-14, and spawns the updater processes on lines 15-21. This is all done within an atomic block to reduce state space.

## 12.6.1 Running the QRCU Example

To run the QRCU example, combine the code fragments in the previous section into a single file named `qrcu.spin`, and place the definitions for `spin_lock()` and `spin_unlock()` into a file named `lock.h`. Then use the following commands to build and run the QRCU model:

```
spin -a qrcu.spin
cc -DSAFETY -o pan pan.c
./pan
```

The resulting output shows that this model passes all of the cases shown in Table 12.2. Now, it would be nice to run the case with three readers and three updaters, however, simple extrapolation indicates that this will require on the order of a terabyte of memory best case. So, what to do? Here are some possible approaches:

1. See whether a smaller number of readers and updaters suffice to prove the general case.
2. Manually construct a proof of correctness.



```

1 proctype qrcu_updater(byte me)
2 {
3   int i;
4   byte readerstart[N_QRCU_READERS];
5   int sum;
6
7   do
8     :: 1 ->
9
10    /* Snapshot reader state. */
11
12    atomic {
13      i = 0;
14      do
15        :: i < N_QRCU_READERS ->
16          readerstart[i] = readerprogress[i];
17        i++
18        :: i >= N_QRCU_READERS ->
19          break
20      od
21    }
22
23    sum_unordered;
24    if
25      :: sum <= 1 -> sum_unordered
26      :: else -> skip
27    fi;
28    if
29      :: sum > 1 ->
30        spin_lock(mutex);
31        atomic { ctr[!idx]++ }
32        idx = !idx;
33        atomic { ctr[!idx]-- }
34        do
35          :: ctr[!idx] > 0 -> skip
36          :: ctr[!idx] == 0 -> break
37        od;
38        spin_unlock(mutex);
39      :: else -> skip
40    fi;
41
42    /* Verify reader progress. */
43
44    atomic {
45      i = 0;
46      sum = 0;
47      do
48        :: i < N_QRCU_READERS ->
49          sum = sum + (readerstart[i] == 1 &&
50            readerprogress[i] == 1);
51        i++
52        :: i >= N_QRCU_READERS ->
53          assert(sum == 0);
54          break
55      od
56    }
57  od
58 }

```

Figure 12.14: QRCU Updater Process

```

1 init {
2   int i;
3
4   atomic {
5     ctr[idx] = 1;
6     ctr[!idx] = 0;
7     i = 0;
8     do
9       :: i < N_QRCU_READERS ->
10        readerprogress[i] = 0;
11        run qrcu_reader(i);
12        i++
13      :: i >= N_QRCU_READERS -> break
14    od;
15    i = 0;
16    do
17      :: i < N_QRCU_UPDATERS ->
18       run qrcu_updater(i);
19       i++
20      :: i >= N_QRCU_UPDATERS -> break
21    od
22  }
23 }

```

Figure 12.15: QRCU Initialization Process

updaters	readers	# states	MB
1	1	376	2.6
1	2	6,177	2.9
1	3	82,127	7.5
2	1	29,399	4.5
2	2	1,071,180	75.4
2	3	33,866,700	2,715.2
3	1	258,605	22.3
3	2	169,533,000	14,979.9

Table 12.2: Memory Usage of QRCU Model

3. Use a more capable tool.
4. Divide and conquer.

The following sections discuss each of these approaches.

### 12.6.2 How Many Readers and Updaters Are Really Needed?

One approach is to look carefully at the Promela code for `qrcu_updater()` and notice that the only global state change is happening under the lock. Therefore, only one updater at a time can possibly be modifying state visible to either readers or other updaters. This means that any sequences of state changes can be carried out serially by a single updater due to the fact that Promela does a full state-space search. Therefore, at most two updaters are required: one to change state and a second to become confused.

The situation with the readers is less clear-cut, as each reader does only a single read-side critical section then terminates. It is possible to argue that the useful number of readers is limited, due to the fact that the fastpath must see at most a zero and a one in the counters. This is a fruitful avenue of investigation, in fact, it leads to the full proof of correctness described in the next section.

### 12.6.3 Alternative Approach: Proof of Correctness

An informal proof [McK07b] follows:

1. For `synchronize_qrcu()` to exit too early, then by definition there must have been at least one reader present during `synchronize_qrcu()`'s full execution.
2. The counter corresponding to this reader will have been at least 1 during this time interval.
3. The `synchronize_qrcu()` code forces at least one of the counters to be at least 1 at all times.
4. Therefore, at any given point in time, either one of the counters will be at least 2, or both of the counters will be at least one.
5. However, the `synchronize_qrcu()` fastpath code can read only one of the counters at a given time. It is therefore possible for the fastpath code to fetch the first counter while zero, but to race with a counter flip so that the second counter is seen as one.
6. There can be at most one reader persisting through such a race condition, as otherwise the sum would be two or greater, which would cause the updater to take the slowpath.
7. But if the race occurs on the fastpath's first read of the counters, and then again on its second read, there have to have been two counter flips.
8. Because a given updater flips the counter only once, and because the update-side lock prevents a pair of updaters from concurrently flipping the counters, the only way that the fastpath code can race with a flip twice is if the first updater completes.

9. But the first updater will not complete until after all pre-existing readers have completed.
10. Therefore, if the fastpath races with a counter flip twice in succession, all pre-existing readers must have completed, so that it is safe to take the fastpath.

Of course, not all parallel algorithms have such simple proofs. In such cases, it may be necessary to enlist more capable tools.

#### **12.6.4 Alternative Approach: More Capable Tools**

Although Promela and Spin are quite useful, much more capable tools are available, particularly for verifying hardware. This means that if it is possible to translate your algorithm to the hardware-design VHDL language, as it often will be for low-level parallel algorithms, then it is possible to apply these tools to your code (for example, this was done for the first realtime RCU algorithm). However, such tools can be quite expensive.

Although the advent of commodity multiprocessing might eventually result in powerful free-software model-checkers featuring fancy state-space-reduction capabilities, this does not help much in the here and now.

As an aside, there are Spin features that support approximate searches that require fixed amounts of memory, however, I have never been able to bring myself to trust approximations when verifying parallel algorithms.

Another approach might be to divide and conquer.

#### **12.6.5 Alternative Approach: Divide and Conquer**

It is often possible to break down a larger parallel algorithm into smaller pieces, which can then be proven separately. For example, a 10-billion-state model might be broken into a pair of 100,000-state models. Taking this approach not only makes it easier for tools such as Promela to verify your algorithms, it can also make your algorithms easier to understand.

### **12.7 Promela Parable: dynticks and Preemptible RCU**

In early 2008, a preemptible variant of RCU was accepted into mainline Linux in support of real-time workloads, a variant similar to the RCU implementations in the `-rt` patchset [Mol05] since August 2005. Preemptible RCU is needed for real-time workloads because older RCU implementations disable preemption across RCU read-side critical sections, resulting in excessive real-time latencies.

However, one disadvantage of the older `-rt` implementation (described in Appendix D.4) was that each grace period requires work to be done on each CPU, even if that CPU is in a low-power “dynticks-idle” state, and thus incapable of executing RCU read-side critical sections. The idea behind the dynticks-idle state is that idle CPUs should be physically powered down in order to conserve energy. In short, preemptible RCU can disable a valuable energy-conservation feature of recent Linux kernels. Although Josh Triplett and Paul McKenney had discussed some approaches for allowing CPUs to remain in low-power state throughout an RCU grace period (thus preserving the Linux kernel’s ability to conserve energy), matters did not come to a head until

Steve Rostedt integrated a new dyntick implementation with preemptible RCU in the `-rt` patchset.

This combination caused one of Steve's systems to hang on boot, so in October, Paul coded up a dynticks-friendly modification to preemptible RCU's grace-period processing. Steve coded up `rcu_irq_enter()` and `rcu_irq_exit()` interfaces called from the `irq_enter()` and `irq_exit()` interrupt entry/exit functions. These `rcu_irq_enter()` and `rcu_irq_exit()` functions are needed to allow RCU to reliably handle situations where a dynticks-idle CPU is momentarily powered up for an interrupt handler containing RCU read-side critical sections. With these changes in place, Steve's system booted reliably, but Paul continued inspecting the code periodically on the assumption that we could not possibly have gotten the code right on the first try.

Paul reviewed the code repeatedly from October 2007 to February 2008, and almost always found at least one bug. In one case, Paul even coded and tested a fix before realizing that the bug was illusory, and in fact in all cases, the "bug" turned out to be illusory.

Near the end of February, Paul grew tired of this game. He therefore decided to enlist the aid of Promela and spin [Hol03], as described in Section 12. The following presents a series of seven increasingly realistic Promela models, the last of which passes, consuming about 40GB of main memory for the state space.

More important, Promela and Spin did find a very subtle bug for me!

**Quick Quiz 12.6:** Yeah, that's just great! Now, just what am I supposed to do if I don't happen to have a machine with 40GB of main memory???

Still better would be to come up with a simpler and faster algorithm that has a smaller state space. Even better would be an algorithm so simple that its correctness was obvious to the casual observer!

Section 12.7.1 gives an overview of preemptible RCU's dynticks interface, Section 12.7.2, and Section 12.7.3 lists lessons (re)learned during this effort.

## 12.7.1 Introduction to Preemptible RCU and dynticks

The per-CPU `dynticks_progress_counter` variable is central to the interface between dynticks and preemptible RCU. This variable has an even value whenever the corresponding CPU is in dynticks-idle mode, and an odd value otherwise. A CPU exits dynticks-idle mode for the following three reasons:

1. to start running a task,
2. when entering the outermost of a possibly nested set of interrupt handlers, and
3. when entering an NMI handler.

Preemptible RCU's grace-period machinery samples the value of the `dynticks_progress_counter` variable in order to determine when a dynticks-idle CPU may safely be ignored.

The following three sections give an overview of the task interface, the interrupt/NMI interface, and the use of the `dynticks_progress_counter` variable by the grace-period machinery.

### 12.7.1.1 Task Interface

When a given CPU enters dynticks-idle mode because it has no more tasks to run, it invokes `rcu_enter_nohz()`:

```

1 static inline void rcu_enter_nohz(void)
2 {
3     mb();
4     __get_cpu_var(dynticks_progress_counter)++;
5     WARN_ON(__get_cpu_var(dynticks_progress_counter) &
6             0x1);
7 }

```

This function simply increments `dynticks_progress_counter` and checks that the result is even, but first executing a memory barrier to ensure that any other CPU that sees the new value of `dynticks_progress_counter` will also see the completion of any prior RCU read-side critical sections.

Similarly, when a CPU that is in dynticks-idle mode prepares to start executing a newly runnable task, it invokes `rcu_exit_nohz`:

```

1 static inline void rcu_exit_nohz(void)
2 {
3     __get_cpu_var(dynticks_progress_counter)++;
4     mb();
5     WARN_ON(!(__get_cpu_var(dynticks_progress_counter) &
6             0x1));
7 }

```

This function again increments `dynticks_progress_counter`, but follows it with a memory barrier to ensure that if any other CPU sees the result of any subsequent RCU read-side critical section, then that other CPU will also see the incremented value of `dynticks_progress_counter`. Finally, `rcu_exit_nohz()` checks that the result of the increment is an odd value.

The `rcu_enter_nohz()` and `rcu_exit_nohz` functions handle the case where a CPU enters and exits dynticks-idle mode due to task execution, but does not handle interrupts, which are covered in the following section.

### 12.7.1.2 Interrupt Interface

The `rcu_irq_enter()` and `rcu_irq_exit()` functions handle interrupt/NMI entry and exit, respectively. Of course, nested interrupts must also be properly accounted for. The possibility of nested interrupts is handled by a second per-CPU variable, `rcu_update_flag`, which is incremented upon entry to an interrupt or NMI handler (in `rcu_irq_enter()`) and is decremented upon exit (in `rcu_irq_exit()`). In addition, the pre-existing `in_interrupt()` primitive is used to distinguish between an outermost or a nested interrupt/NMI.

Interrupt entry is handled by the `rcu_irq_enter` shown below:

```

1 void rcu_irq_enter(void)
2 {
3     int cpu = smp_processor_id();
4
5     if (per_cpu(rcu_update_flag, cpu))
6         per_cpu(rcu_update_flag, cpu)++;
7     if (!in_interrupt() &&
8         (per_cpu(dynticks_progress_counter,
9                 cpu) & 0x1) == 0) {
10        per_cpu(dynticks_progress_counter, cpu)++;
11        smp_mb();
12        per_cpu(rcu_update_flag, cpu)++;
13    }
14 }

```

Line 3 fetches the current CPU's number, while lines 5 and 6 increment the `rcu_update_flag` nesting counter if it is already non-zero. Lines 7-9 check to see

whether we are the outermost level of interrupt, and, if so, whether `dynticks_progress_counter` needs to be incremented. If so, line 10 increments `dynticks_progress_counter`, line 11 executes a memory barrier, and line 12 increments `rcu_update_flag`. As with `rcu_exit_nohz()`, the memory barrier ensures that any other CPU that sees the effects of an RCU read-side critical section in the interrupt handler (following the `rcu_irq_enter()` invocation) will also see the increment of `dynticks_progress_counter`.

**Quick Quiz 12.7:** Why not simply increment `rcu_update_flag`, and then only increment `dynticks_progress_counter` if the old value of `rcu_update_flag` was zero???

**Quick Quiz 12.8:** But if line 7 finds that we are the outermost interrupt, wouldn't we *always* need to increment `dynticks_progress_counter`?

Interrupt exit is handled similarly by `rcu_irq_exit()`:

```

1 void rcu_irq_exit(void)
2 {
3     int cpu = smp_processor_id();
4
5     if (per_cpu(rcu_update_flag, cpu)) {
6         if (--per_cpu(rcu_update_flag, cpu))
7             return;
8         WARN_ON(in_interrupt());
9         smp_mb();
10        per_cpu(dynticks_progress_counter, cpu)++;
11        WARN_ON(per_cpu(dynticks_progress_counter,
12                      cpu) & 0x1);
13    }
14 }

```

Line 3 fetches the current CPU's number, as before. Line 5 checks to see if the `rcu_update_flag` is non-zero, returning immediately (via falling off the end of the function) if not. Otherwise, lines 6 through 12 come into play. Line 6 decrements `rcu_update_flag`, returning if the result is not zero. Line 8 verifies that we are indeed leaving the outermost level of nested interrupts, line 9 executes a memory barrier, line 10 increments `dynticks_progress_counter`, and lines 11 and 12 verify that this variable is now even. As with `rcu_enter_nohz()`, the memory barrier ensures that any other CPU that sees the increment of `dynticks_progress_counter` will also see the effects of an RCU read-side critical section in the interrupt handler (preceding the `rcu_irq_exit()` invocation).

These two sections have described how the `dynticks_progress_counter` variable is maintained during entry to and exit from `dynticks-idle` mode, both by tasks and by interrupts and NMIs. The following section describes how this variable is used by preemptible RCU's grace-period machinery.

### 12.7.1.3 Grace-Period Interface

Of the four preemptible RCU grace-period states shown in Figure D.63 on page 564 in Appendix D.4, only the `rcu_try_flip_waitack_state()` and `rcu_try_flip_waitmb_state()` states need to wait for other CPUs to respond.

Of course, if a given CPU is in `dynticks-idle` state, we shouldn't wait for it. Therefore, just before entering one of these two states, the preceding state takes a snapshot of each CPU's `dynticks_progress_counter` variable, placing the snapshot in another per-CPU variable, `rcu_dyntick_snapshot`. This is accomplished by invoking `dyntick_save_progress_counter`, shown below:

```

1 static void dyntick_save_progress_counter(int cpu)
2 {
3     per_cpu(rcu_dyntick_snapshot, cpu) =
4         per_cpu(dynticks_progress_counter, cpu);
5 }

```

The `rcu_try_flip_waitack_state()` state invokes `rcu_try_flip_waitack_needed()`, shown below:

```

1 static inline int
2 rcu_try_flip_waitack_needed(int cpu)
3 {
4     long curr;
5     long snap;
6
7     curr = per_cpu(dynticks_progress_counter, cpu);
8     snap = per_cpu(rcu_dyntick_snapshot, cpu);
9     smp_mb();
10    if ((curr == snap) && ((curr & 0x1) == 0))
11        return 0;
12    if ((curr - snap) > 2 || (snap & 0x1) == 0)
13        return 0;
14    return 1;
15 }

```

Lines 7 and 8 pick up current and snapshot versions of `dynticks_progress_counter`, respectively. The memory barrier on line 9 ensures that the counter checks in the later `rcu_try_flip_waitzero_state` follow the fetches of these counters. Lines 10 and 11 return zero (meaning no communication with the specified CPU is required) if that CPU has remained in `dynticks-idle` state since the time that the snapshot was taken. Similarly, lines 12 and 13 return zero if that CPU was initially in `dynticks-idle` state or if it has completely passed through a `dynticks-idle` state. In both these cases, there is no way that that CPU could have retained the old value of the grace-period counter. If neither of these conditions hold, line 14 returns one, meaning that the CPU needs to explicitly respond.

For its part, the `rcu_try_flip_waitmb_state` state invokes `rcu_try_flip_waitmb_needed()`, shown below:

```

1 static inline int
2 rcu_try_flip_waitmb_needed(int cpu)
3 {
4     long curr;
5     long snap;
6
7     curr = per_cpu(dynticks_progress_counter, cpu);
8     snap = per_cpu(rcu_dyntick_snapshot, cpu);
9     smp_mb();
10    if ((curr == snap) && ((curr & 0x1) == 0))
11        return 0;
12    if (curr != snap)
13        return 0;
14    return 1;
15 }

```

This is quite similar to `rcu_try_flip_waitack_needed`, the difference being in lines 12 and 13, because any transition either to or from `dynticks-idle` state executes the memory barrier needed by the `rcu_try_flip_waitmb_state()` state.

We now have seen all the code involved in the interface between RCU and the `dynticks-idle` state. The next section builds up the Promela model used to verify this code.

**Quick Quiz 12.9:** Can you spot any bugs in any of the code in this section? ■



## 12.7.2 Validating Preemptible RCU and dynticks

This section develops a Promela model for the interface between dynticks and RCU step by step, with each of the following sections illustrating one step, starting with the process-level code, adding assertions, interrupts, and finally NMIs.

### 12.7.2.1 Basic Model

This section translates the process-level dynticks entry/exit code and the grace-period processing into Promela [Hol03]. We start with `rcu_exit_nohz()` and `rcu_enter_nohz()` from the 2.6.25-rc4 kernel, placing these in a single Promela process that models exiting and entering dynticks-idle mode in a loop as follows:

```
1 proctype dyntick_nohz()
2 {
3   byte tmp;
4   byte i = 0;
5
6   do
7     :: i >= MAX_DYNTICK_LOOP_NOHZ -> break;
8     :: i < MAX_DYNTICK_LOOP_NOHZ ->
9       tmp = dynticks_progress_counter;
10      atomic {
11        dynticks_progress_counter = tmp + 1;
12        assert((dynticks_progress_counter & 1) == 1);
13      }
14      tmp = dynticks_progress_counter;
15      atomic {
16        dynticks_progress_counter = tmp + 1;
17        assert((dynticks_progress_counter & 1) == 0);
18      }
19      i++;
20    od;
21 }
```

Lines 6 and 20 define a loop. Line 7 exits the loop once the loop counter `i` has exceeded the limit `MAX_DYNTICK_LOOP_NOHZ`. Line 8 tells the loop construct to execute lines 9-19 for each pass through the loop. Because the conditionals on lines 7 and 8 are exclusive of each other, the normal Promela random selection of true conditions is disabled. Lines 9 and 11 model `rcu_exit_nohz()`'s non-atomic increment of `dynticks_progress_counter`, while line 12 models the `WARN_ON()`. The `atomic` construct simply reduces the Promela state space, given that the `WARN_ON()` is not strictly speaking part of the algorithm. Lines 14-18 similarly models the increment and `WARN_ON()` for `rcu_enter_nohz()`. Finally, line 19 increments the loop counter.

Each pass through the loop therefore models a CPU exiting dynticks-idle mode (for example, starting to execute a task), then re-entering dynticks-idle mode (for example, that same task blocking).

**Quick Quiz 12.10:** Why isn't the memory barrier in `rcu_exit_nohz()` and `rcu_enter_nohz()` modeled in Promela? ■

**Quick Quiz 12.11:** Isn't it a bit strange to model `rcu_exit_nohz()` followed by `rcu_enter_nohz()`? Wouldn't it be more natural to instead model entry before exit? ■

The next step is to model the interface to RCU's grace-period processing. For this, we need to model `dyntick_save_progress_counter()`, `rcu_try_flip_waitack_needed()`, `rcu_try_flip_waitmb_needed()`, as well as portions of `rcu_try_flip_waitack()` and `rcu_try_flip_waitmb()`, all from the 2.6.25-rc4 kernel. The following `grace_period()` Promela process models these

functions as they would be invoked during a single pass through preemptible RCU's grace-period processing.

```

1 proctype grace_period()
2 {
3     byte curr;
4     byte snap;
5
6     atomic {
7         printf("MDLN = %d\n", MAX_DYNTICK_LOOP_NOHZ);
8         snap = dynticks_progress_counter;
9     }
10    do
11    :: 1 ->
12        atomic {
13            curr = dynticks_progress_counter;
14            if
15            :: (curr == snap) && ((curr & 1) == 0) ->
16                break;
17            :: (curr - snap) > 2 || (snap & 1) == 0 ->
18                break;
19            :: 1 -> skip;
20        fi;
21    }
22    od;
23    snap = dynticks_progress_counter;
24    do
25    :: 1 ->
26        atomic {
27            curr = dynticks_progress_counter;
28            if
29            :: (curr == snap) && ((curr & 1) == 0) ->
30                break;
31            :: (curr != snap) ->
32                break;
33            :: 1 -> skip;
34        fi;
35    }
36    od;
37 }

```

Lines 6-9 print out the loop limit (but only into the .trail file in case of error) and models a line of code from `rcu_try_flip_idle()` and its call to `dyntick_save_progress_counter()`, which takes a snapshot of the current CPU's `dynticks_progress_counter` variable. These two lines are executed atomically to reduce state space.

Lines 10-22 model the relevant code in `rcu_try_flip_waitack()` and its call to `rcu_try_flip_waitack_needed()`. This loop is modeling the grace-period state machine waiting for a counter-flip acknowledgement from each CPU, but only that part that interacts with dynticks-idle CPUs.

Line 23 models a line from `rcu_try_flip_waitzero()` and its call to `dyntick_save_progress_counter()`, again taking a snapshot of the CPU's `dynticks_progress_counter` variable.

Finally, lines 24-36 model the relevant code in `rcu_try_flip_waitack()` and its call to `rcu_try_flip_waitack_needed()`. This loop is modeling the grace-period state-machine waiting for each CPU to execute a memory barrier, but again only that part that interacts with dynticks-idle CPUs.

**Quick Quiz 12.12:** Wait a minute! In the Linux kernel, both `dynticks_progress_counter` and `rcu_dyntick_snapshot` are per-CPU variables. So why are they instead being modeled as single global variables? ■

The resulting model (`dyntickRCU-base.spin`), when run with the `runspin.sh` script, generates 691 states and passes without errors, which is not at all surprising

given that it completely lacks the assertions that could find failures. The next section therefore adds safety assertions.

### 12.7.2.2 Validating Safety

A safe RCU implementation must never permit a grace period to complete before the completion of any RCU readers that started before the start of the grace period. This is modeled by a `gp_state` variable that can take on three states as follows:

```
1 #define GP_IDLE    0
2 #define GP_WAITING 1
3 #define GP_DONE    2
4 byte gp_state = GP_DONE;
```

The `grace_period()` process sets this variable as it progresses through the grace-period phases, as shown below:

```
1 proctype grace_period()
2 {
3   byte curr;
4   byte snap;
5
6   gp_state = GP_IDLE;
7   atomic {
8     printf("MDLN = %d\n", MAX_DYNTICK_LOOP_NOHZ);
9     snap = dynticks_progress_counter;
10    gp_state = GP_WAITING;
11  }
12  do
13  :: 1 ->
14    atomic {
15      curr = dynticks_progress_counter;
16      if
17      :: (curr == snap) && ((curr & 1) == 0) ->
18        break;
19      :: (curr - snap) > 2 || (snap & 1) == 0 ->
20        break;
21      :: 1 -> skip;
22    fi;
23  }
24  od;
25  gp_state = GP_DONE;
26  gp_state = GP_IDLE;
27  atomic {
28    snap = dynticks_progress_counter;
29    gp_state = GP_WAITING;
30  }
31  do
32  :: 1 ->
33    atomic {
34      curr = dynticks_progress_counter;
35      if
36      :: (curr == snap) && ((curr & 1) == 0) ->
37        break;
38      :: (curr != snap) ->
39        break;
40      :: 1 -> skip;
41    fi;
42  }
43  od;
44  gp_state = GP_DONE;
45 }
```

Lines 6, 10, 25, 26, 29, and 44 update this variable (combining atomically with algorithmic operations where feasible) to allow the `dyntick_nohz()` process to verify the basic RCU safety property. The form of this verification is to assert that the

value of the `gp_state` variable cannot jump from `GP_IDLE` to `GP_DONE` during a time period over which RCU readers could plausibly persist.

**Quick Quiz 12.13:** Given there are a pair of back-to-back changes to `gp_state` on lines 25 and 26, how can we be sure that line 25's changes won't be lost? ■

The `dyntick_nohz()` Promela process implements this verification as shown below:

```
1 proctype dyntick_nohz()
2 {
3   byte tmp;
4   byte i = 0;
5   bit old_gp_idle;
6
7   do
8   :: i >= MAX_DYNTICK_LOOP_NOHZ -> break;
9   :: i < MAX_DYNTICK_LOOP_NOHZ ->
10    tmp = dynticks_progress_counter;
11    atomic {
12      dynticks_progress_counter = tmp + 1;
13      old_gp_idle = (gp_state == GP_IDLE);
14      assert((dynticks_progress_counter & 1) == 1);
15    }
16    atomic {
17      tmp = dynticks_progress_counter;
18      assert(!old_gp_idle ||
19            gp_state != GP_DONE);
20    }
21    atomic {
22      dynticks_progress_counter = tmp + 1;
23      assert((dynticks_progress_counter & 1) == 0);
24    }
25    i++;
26  od;
27 }
```

Line 13 sets a new `old_gp_idle` flag if the value of the `gp_state` variable is `GP_IDLE` at the beginning of task execution, and the assertion at lines 18 and 19 fire if the `gp_state` variable has advanced to `GP_DONE` during task execution, which would be illegal given that a single RCU read-side critical section could span the entire intervening time period.

The resulting model (`dyntickRCU-base-s.spin`), when run with the `runspin.sh` script, generates 964 states and passes without errors, which is reassuring. That said, although safety is critically important, it is also quite important to avoid indefinitely stalling grace periods. The next section therefore covers verifying liveness.

### 12.7.2.3 Validating Liveness

Although liveness can be difficult to prove, there is a simple trick that applies here. The first step is to make `dyntick_nohz()` indicate that it is done via a `dyntick_nohz_done` variable, as shown on line 27 of the following:

```
1 proctype dyntick_nohz()
2 {
3   byte tmp;
4   byte i = 0;
5   bit old_gp_idle;
6
7   do
8   :: i >= MAX_DYNTICK_LOOP_NOHZ -> break;
9   :: i < MAX_DYNTICK_LOOP_NOHZ ->
10    tmp = dynticks_progress_counter;
11    atomic {
12      dynticks_progress_counter = tmp + 1;
13      old_gp_idle = (gp_state == GP_IDLE);
```

```

14     assert((dynticks_progress_counter & 1) == 1);
15 }
16 atomic {
17     tmp = dynticks_progress_counter;
18     assert(!old_gp_idle ||
19         gp_state != GP_DONE);
20 }
21 atomic {
22     dynticks_progress_counter = tmp + 1;
23     assert((dynticks_progress_counter & 1) == 0);
24 }
25 i++;
26 od;
27 dyntick_nohz_done = 1;
28 }

```

With this variable in place, we can add assertions to `grace_period()` to check for unnecessary blockage as follows:

```

1 proctype grace_period()
2 {
3     byte curr;
4     byte snap;
5     bit shouldexit;
6
7     gp_state = GP_IDLE;
8     atomic {
9         printf("MDLN = %d\n", MAX_DYNTICK_LOOP_NOHZ);
10        shouldexit = 0;
11        snap = dynticks_progress_counter;
12        gp_state = GP_WAITING;
13    }
14    do
15    :: 1 ->
16        atomic {
17            assert(!shouldexit);
18            shouldexit = dyntick_nohz_done;
19            curr = dynticks_progress_counter;
20            if
21            :: (curr == snap) && ((curr & 1) == 0) ->
22                break;
23            :: (curr - snap) > 2 || (snap & 1) == 0 ->
24                break;
25            :: else -> skip;
26            fi;
27        }
28    od;
29    gp_state = GP_DONE;
30    gp_state = GP_IDLE;
31    atomic {
32        shouldexit = 0;
33        snap = dynticks_progress_counter;
34        gp_state = GP_WAITING;
35    }
36    do
37    :: 1 ->
38        atomic {
39            assert(!shouldexit);
40            shouldexit = dyntick_nohz_done;
41            curr = dynticks_progress_counter;
42            if
43            :: (curr == snap) && ((curr & 1) == 0) ->
44                break;
45            :: (curr != snap) ->
46                break;
47            :: else -> skip;
48            fi;
49        }
50    od;
51    gp_state = GP_DONE;
52 }

```

We have added the `shouldexit` variable on line 5, which we initialize to zero on

line 10. Line 17 asserts that `shouldexit` is not set, while line 18 sets `shouldexit` to the `dyntick_nohz_done` variable maintained by `dyntick_nohz()`. This assertion will therefore trigger if we attempt to take more than one pass through the wait-for-counter-flip-acknowledgement loop after `dyntick_nohz()` has completed execution. After all, if `dyntick_nohz()` is done, then there cannot be any more state changes to force us out of the loop, so going through twice in this state means an infinite loop, which in turn means no end to the grace period.

Lines 32, 39, and 40 operate in a similar manner for the second (memory-barrier) loop.

However, running this model (`dyntickRCU-base-sl-busted.spin`) results in failure, as line 23 is checking that the wrong variable is even. Upon failure, `spin` writes out a “trail” file (`dyntickRCU-base-sl-busted.spin.trail`) file, which records the sequence of states that lead to the failure. Use the `spin -t -p -g -l dyntickRCU-base-sl-busted.spin` command to cause `spin` to retrace this sequence of state, printing the statements executed and the values of variables (`dyntickRCU-base-sl-busted.spin.trail.txt`). Note that the line numbers do not match the listing above due to the fact that `spin` takes both functions in a single file. However, the line numbers *do* match the full model (`dyntickRCU-base-sl-busted.spin`).

We see that the `dyntick_nohz()` process completed at step 34 (search for “34:”), but that the `grace_period()` process nonetheless failed to exit the loop. The value of `curr` is 6 (see step 35) and that the value of `snap` is 5 (see step 17). Therefore the first condition on line 21 above does not hold because `curr != snap`, and the second condition on line 23 does not hold either because `snap` is odd and because `curr` is only one greater than `snap`.

So one of these two conditions has to be incorrect. Referring to the comment block in `rcu_try_flip_waitack_needed()` for the first condition:

If the CPU remained in dynticks mode for the entire time and didn’t take any interrupts, NMIs, SMIs, or whatever, then it cannot be in the middle of an `rcu_read_lock()`, so the next `rcu_read_lock()` it executes must use the new value of the counter. So we can safely pretend that this CPU already acknowledged the counter.

The first condition does match this, because if `curr == snap` and if `curr` is even, then the corresponding CPU has been in dynticks-idle mode the entire time, as required. So let’s look at the comment block for the second condition:

If the CPU passed through or entered a dynticks idle phase with no active irq handlers, then, as above, we can safely pretend that this CPU already acknowledged the counter.

The first part of the condition is correct, because if `curr` and `snap` differ by two, there will be at least one even number in between, corresponding to having passed completely through a dynticks-idle phase. However, the second part of the condition corresponds to having *started* in dynticks-idle mode, not having *finished* in this mode. We therefore need to be testing `curr` rather than `snap` for being an even number.

The corrected C code is as follows:

```
1 static inline int
2 rcu_try_flip_waitack_needed(int cpu)
3 {
```

```

4 long curr;
5 long snap;
6
7 curr = per_cpu(dynticks_progress_counter, cpu);
8 snap = per_cpu(rcu_dyntick_snapshot, cpu);
9 smp_mb();
10 if ((curr == snap) && ((curr & 0x1) == 0))
11     return 0;
12 if ((curr - snap) > 2 || (curr & 0x1) == 0)
13     return 0;
14 return 1;
15 }

```

Lines 10-13 can now be combined and simplified, resulting in the following. A similar simplification can be applied to `rcu_try_flip_waitmb_needed`.

```

1 static inline int
2 rcu_try_flip_waitack_needed(int cpu)
3 {
4     long curr;
5     long snap;
6
7     curr = per_cpu(dynticks_progress_counter, cpu);
8     snap = per_cpu(rcu_dyntick_snapshot, cpu);
9     smp_mb();
10    if ((curr - snap) >= 2 || (curr & 0x1) == 0)
11        return 0;
12    return 1;
13 }

```

Making the corresponding correction in the model (`dyntickRCU-base-sl.spin`) results in a correct verification with 661 states that passes without errors. However, it is worth noting that the first version of the liveness verification failed to catch this bug, due to a bug in the liveness verification itself. This liveness-verification bug was located by inserting an infinite loop in the `grace_period()` process, and noting that the liveness-verification code failed to detect this problem!

We have now successfully verified both safety and liveness conditions, but only for processes running and blocking. We also need to handle interrupts, a task taken up in the next section.

#### 12.7.2.4 Interrupts

There are a couple of ways to model interrupts in Promela:

1. using C-preprocessor tricks to insert the interrupt handler between each and every statement of the `dynticks_nohz()` process, or
2. modeling the interrupt handler with a separate process.

A bit of thought indicated that the second approach would have a smaller state space, though it requires that the interrupt handler somehow run atomically with respect to the `dynticks_nohz()` process, but not with respect to the `grace_period()` process.

Fortunately, it turns out that Promela permits you to branch out of atomic statements. This trick allows us to have the interrupt handler set a flag, and recode `dynticks_nohz()` to atomically check this flag and execute only when the flag is not set. This can be accomplished with a C-preprocessor macro that takes a label and a Promela statement as follows:

```

1 #define EXECUTE_MAINLINE(label, stmt) \
2 label: skip; \
3     atomic { \
4         if \
5             :: in_dyntick_irq -> goto label; \
6             :: else -> stmt; \
7         fi; \
8     } \

```

One might use this macro as follows:

```

EXECUTE_MAINLINE(stmt1,
                 tmp = dynticks_progress_counter)

```

Line 2 of the macro creates the specified statement label. Lines 3-8 are an atomic block that tests the `in_dyntick_irq` variable, and if this variable is set (indicating that the interrupt handler is active), branches out of the atomic block back to the label. Otherwise, line 6 executes the specified statement. The overall effect is that mainline execution stalls any time an interrupt is active, as required.

### 12.7.2.5 Validating Interrupt Handlers

The first step is to convert `dyntick_nohz()` to `EXECUTE_MAINLINE()` form, as follows:

```

1 proctype dyntick_nohz()
2 {
3     byte tmp;
4     byte i = 0;
5     bit old_gp_idle;
6
7     do
8         :: i >= MAX_DYNTICK_LOOP_NOHZ -> break;
9         :: i < MAX_DYNTICK_LOOP_NOHZ ->
10            EXECUTE_MAINLINE(stmt1,
11                tmp = dynticks_progress_counter)
12            EXECUTE_MAINLINE(stmt2,
13                dynticks_progress_counter = tmp + 1;
14                old_gp_idle = (gp_state == GP_IDLE);
15                assert((dynticks_progress_counter & 1) == 1))
16            EXECUTE_MAINLINE(stmt3,
17                tmp = dynticks_progress_counter;
18                assert(!old_gp_idle ||
19                    gp_state != GP_DONE))
20            EXECUTE_MAINLINE(stmt4,
21                dynticks_progress_counter = tmp + 1;
22                assert((dynticks_progress_counter & 1) == 0))
23            i++;
24     od;
25     dyntick_nohz_done = 1;
26 }

```

It is important to note that when a group of statements is passed to `EXECUTE_MAINLINE()`, as in lines 11-14, all statements in that group execute atomically.

**Quick Quiz 12.14:** But what would you do if you needed the statements in a single `EXECUTE_MAINLINE()` group to execute non-atomically? ■

**Quick Quiz 12.15:** But what if the `dynticks_nohz()` process had “if” or “do” statements with conditions, where the statement bodies of these constructs needed to execute non-atomically? ■

The next step is to write a `dyntick_irq()` process to model an interrupt handler:

```

1 proctype dyntick_irq()
2 {
3     byte tmp;

```



```

4  byte i = 0;
5  bit old_gp_idle;
6
7  do
8  :: i >= MAX_DYNTICK_LOOP_IRQ -> break;
9  :: i < MAX_DYNTICK_LOOP_IRQ ->
10  in_dyntick_irq = 1;
11  if
12  :: rcu_update_flag > 0 ->
13  tmp = rcu_update_flag;
14  rcu_update_flag = tmp + 1;
15  :: else -> skip;
16  fi;
17  if
18  :: !in_interrupt &&
19  (dynticks_progress_counter & 1) == 0 ->
20  tmp = dynticks_progress_counter;
21  dynticks_progress_counter = tmp + 1;
22  tmp = rcu_update_flag;
23  rcu_update_flag = tmp + 1;
24  :: else -> skip;
25  fi;
26  tmp = in_interrupt;
27  in_interrupt = tmp + 1;
28  old_gp_idle = (gp_state == GP_IDLE);
29  assert(!old_gp_idle || gp_state != GP_DONE);
30  tmp = in_interrupt;
31  in_interrupt = tmp - 1;
32  if
33  :: rcu_update_flag != 0 ->
34  tmp = rcu_update_flag;
35  rcu_update_flag = tmp - 1;
36  if
37  :: rcu_update_flag == 0 ->
38  tmp = dynticks_progress_counter;
39  dynticks_progress_counter = tmp + 1;
40  :: else -> skip;
41  fi;
42  :: else -> skip;
43  fi;
44  atomic {
45  in_dyntick_irq = 0;
46  i++;
47  }
48  od;
49  dyntick_irq_done = 1;
50 }

```

The loop from line 7-48 models up to `MAX_DYNTICK_LOOP_IRQ` interrupts, with lines 8 and 9 forming the loop condition and line 45 incrementing the control variable. Line 10 tells `dyntick_nohz()` that an interrupt handler is running, and line 45 tells `dyntick_nohz()` that this handler has completed. Line 49 is used for liveness verification, much as is the corresponding line of `dyntick_nohz()`.

**Quick Quiz 12.16:** Why are lines 45 and 46 (the `in_dyntick_irq = 0;` and the `i++;`) executed atomically? ■

Lines 11-25 model `rcu_irq_enter()`, and lines 26 and 27 model the relevant snippet of `__irq_enter()`. Lines 28 and 29 verifies safety in much the same manner as do the corresponding lines of `dynticks_nohz()`. Lines 30 and 31 model the relevant snippet of `__irq_exit()`, and finally lines 32-43 model `rcu_irq_exit()`.

**Quick Quiz 12.17:** What property of interrupts is this `dynticks_irq()` process unable to model? ■

The `grace_period` process then becomes as follows:

```

1 proctype grace_period()
2 {

```

```

3  byte curr;
4  byte snap;
5  bit shouldexit;
6
7  gp_state = GP_IDLE;
8  atomic {
9      printf("MDLN = %d\n", MAX_DYNTICK_LOOP_NOHZ);
10     printf("MDLI = %d\n", MAX_DYNTICK_LOOP_IRQ);
11     shouldexit = 0;
12     snap = dynticks_progress_counter;
13     gp_state = GP_WAITING;
14 }
15 do
16 :: 1 ->
17     atomic {
18         assert(!shouldexit);
19         shouldexit = dyntick_nohz_done && dyntick_irq_done;
20         curr = dynticks_progress_counter;
21         if
22             :: (curr - snap) >= 2 || (curr & 1) == 0 ->
23             break;
24             :: else -> skip;
25         fi;
26     }
27 od;
28 gp_state = GP_DONE;
29 gp_state = GP_IDLE;
30 atomic {
31     shouldexit = 0;
32     snap = dynticks_progress_counter;
33     gp_state = GP_WAITING;
34 }
35 do
36 :: 1 ->
37     atomic {
38         assert(!shouldexit);
39         shouldexit = dyntick_nohz_done && dyntick_irq_done;
40         curr = dynticks_progress_counter;
41         if
42             :: (curr != snap) || ((curr & 1) == 0) ->
43             break;
44             :: else -> skip;
45         fi;
46     }
47 od;
48 gp_state = GP_DONE;
49 }

```

The implementation of `grace_period()` is very similar to the earlier one. The only changes are the addition of line 10 to add the new interrupt-count parameter, changes to lines 19 and 39 to add the new `dyntick_irq_done` variable to the liveness checks, and of course the optimizations on lines 22 and 42.

This model (`dyntickRCU-irqnn-ssl.spin`) results in a correct verification with roughly half a million states, passing without errors. However, this version of the model does not handle nested interrupts. This topic is taken up in the next section.

### 12.7.2.6 Validating Nested Interrupt Handlers

Nested interrupt handlers may be modeled by splitting the body of the loop in `dyntick_irq()` as follows:

```

1  proctype dyntick_irq()
2  {
3      byte tmp;
4      byte i = 0;
5      byte j = 0;
6      bit old_gp_idle;
7      bit outermost;

```

```

8
9 do
10 :: i >= MAX_DYNTICK_LOOP_IRQ &&
11     j >= MAX_DYNTICK_LOOP_IRQ -> break;
12 :: i < MAX_DYNTICK_LOOP_IRQ ->
13     atomic {
14         outermost = (in_dyntick_irq == 0);
15         in_dyntick_irq = 1;
16     }
17     if
18     :: rcu_update_flag > 0 ->
19         tmp = rcu_update_flag;
20         rcu_update_flag = tmp + 1;
21     :: else -> skip;
22     fi;
23     if
24     :: !in_interrupt &&
25         (dynticks_progress_counter & 1) == 0 ->
26         tmp = dynticks_progress_counter;
27         dynticks_progress_counter = tmp + 1;
28         tmp = rcu_update_flag;
29         rcu_update_flag = tmp + 1;
30     :: else -> skip;
31     fi;
32     tmp = in_interrupt;
33     in_interrupt = tmp + 1;
34     atomic {
35         if
36         :: outermost ->
37             old_gp_idle = (gp_state == GP_IDLE);
38         :: else -> skip;
39         fi;
40     }
41     i++;
42 :: j < i ->
43     atomic {
44         if
45         :: j + 1 == i ->
46             assert(!old_gp_idle ||
47                 gp_state != GP_DONE);
48         :: else -> skip;
49         fi;
50     }
51     tmp = in_interrupt;
52     in_interrupt = tmp - 1;
53     if
54     :: rcu_update_flag != 0 ->
55         tmp = rcu_update_flag;
56         rcu_update_flag = tmp - 1;
57     if
58     :: rcu_update_flag == 0 ->
59         tmp = dynticks_progress_counter;
60         dynticks_progress_counter = tmp + 1;
61     :: else -> skip;
62     fi;
63 :: else -> skip;
64     fi;
65     atomic {
66         j++;
67         in_dyntick_irq = (i != j);
68     }
69 od;
70 dyntick_irq_done = 1;
71 }

```

This is similar to the earlier `dynticks_irq()` process. It adds a second counter variable `j` on line 5, so that `i` counts entries to interrupt handlers and `j` counts exits. The `outermost` variable on line 7 helps determine when the `gp_state` variable needs to be sampled for the safety checks. The loop-exit check on lines 10 and 11 is updated to require that the specified number of interrupt handlers are exited as well as entered, and the increment of `i` is moved to line 41, which is the end of the interrupt-entry model.

Lines 13-16 set the outermost variable to indicate whether this is the outermost of a set of nested interrupts and to set the `in_dyntick_irq` variable that is used by the `dyntick_nohz()` process. Lines 34-40 capture the state of the `gp_state` variable, but only when in the outermost interrupt handler.

Line 42 has the do-loop conditional for interrupt-exit modeling: as long as we have exited fewer interrupts than we have entered, it is legal to exit another interrupt. Lines 43-50 check the safety criterion, but only if we are exiting from the outermost interrupt level. Finally, lines 65-68 increment the interrupt-exit count `j` and, if this is the outermost interrupt level, clears `in_dyntick_irq`.

This model (`dyntickRCU-irq-ssl.spin`) results in a correct verification with a bit more than half a million states, passing without errors. However, this version of the model does not handle NMIs, which are taken up in the next section.

### 12.7.2.7 Validating NMI Handlers

We take the same general approach for NMIs as we do for interrupts, keeping in mind that NMIs do not nest. This results in a `dyntick_nmi()` process as follows:

```

1 proctype dyntick_nmi()
2 {
3   byte tmp;
4   byte i = 0;
5   bit old_gp_idle;
6
7   do
8   :: i >= MAX_DYNTICK_LOOP_NMI -> break;
9   :: i < MAX_DYNTICK_LOOP_NMI ->
10    in_dyntick_nmi = 1;
11    if
12    :: rcu_update_flag > 0 ->
13       tmp = rcu_update_flag;
14       rcu_update_flag = tmp + 1;
15    :: else -> skip;
16    fi;
17    if
18    :: !in_interrupt &&
19       (dynticks_progress_counter & 1) == 0 ->
20       tmp = dynticks_progress_counter;
21       dynticks_progress_counter = tmp + 1;
22       tmp = rcu_update_flag;
23       rcu_update_flag = tmp + 1;
24    :: else -> skip;
25    fi;
26    tmp = in_interrupt;
27    in_interrupt = tmp + 1;
28    old_gp_idle = (gp_state == GP_IDLE);
29    assert(!old_gp_idle || gp_state != GP_DONE);
30    tmp = in_interrupt;
31    in_interrupt = tmp - 1;
32    if
33    :: rcu_update_flag != 0 ->
34       tmp = rcu_update_flag;
35       rcu_update_flag = tmp - 1;
36       if
37       :: rcu_update_flag == 0 ->
38          tmp = dynticks_progress_counter;
39          dynticks_progress_counter = tmp + 1;
40       :: else -> skip;
41       fi;
42    :: else -> skip;
43    fi;
44    atomic {
45      i++;
46      in_dyntick_nmi = 0;
47    }
48  od;

```

```

49  dyntick_nmi_done = 1;
50 }

```

Of course, the fact that we have NMIs requires adjustments in the other components. For example, the EXECUTE\_MAINLINE () macro now needs to pay attention to the NMI handler (in\_dyntick\_nmi) as well as the interrupt handler (in\_dyntick\_irq) by checking the dyntick\_nmi\_done variable as follows:

```

1 #define EXECUTE_MAINLINE(label, stmt) \
2 label: skip; \
3 atomic { \
4   if \
5     :: in_dyntick_irq || \
6     in_dyntick_nmi -> goto label; \
7     :: else -> stmt; \
8   fi; \
9 } \

```

We will also need to introduce an EXECUTE\_IRQ () macro that checks in\_dyntick\_nmi in order to allow dyntick\_irq () to exclude dyntick\_nmi ():

```

1 #define EXECUTE_IRQ(label, stmt) \
2 label: skip; \
3 atomic { \
4   if \
5     :: in_dyntick_nmi -> goto label; \
6     :: else -> stmt; \
7   fi; \
8 } \

```

It is further necessary to convert dyntick\_irq () to EXECUTE\_IRQ () as follows:

```

1 proctype dyntick_irq()
2 {
3   byte tmp;
4   byte i = 0;
5   byte j = 0;
6   bit old_gp_idle;
7   bit outermost;
8
9   do
10  :: i >= MAX_DYNTICK_LOOP_IRQ &&
11  j >= MAX_DYNTICK_LOOP_IRQ -> break;
12  :: i < MAX_DYNTICK_LOOP_IRQ ->
13  atomic {
14    outermost = (in_dyntick_irq == 0);
15    in_dyntick_irq = 1;
16  }
17  stmt1: skip;
18  atomic {
19    if
20    :: in_dyntick_nmi -> goto stmt1;
21    :: !in_dyntick_nmi && rcu_update_flag ->
22    goto stmt1_then;
23    :: else -> goto stmt1_else;
24    fi;
25  }
26  stmt1_then: skip;
27  EXECUTE_IRQ(stmt1_1, tmp = rcu_update_flag)
28  EXECUTE_IRQ(stmt1_2, rcu_update_flag = tmp + 1)
29  stmt1_else: skip;
30  stmt2: skip; atomic {
31    if
32    :: in_dyntick_nmi -> goto stmt2;
33    :: !in_dyntick_nmi &&
34    !in_interrupt &&
35    (dynticks_progress_counter & 1) == 0 ->
36    goto stmt2_then;

```

```

37     :: else -> goto stmt2_else;
38     fi;
39 }
40 stmt2_then: skip;
41 EXECUTE_IRQ(stmt2_1, tmp = dynticks_progress_counter)
42 EXECUTE_IRQ(stmt2_2,
43     dynticks_progress_counter = tmp + 1)
44 EXECUTE_IRQ(stmt2_3, tmp = rcu_update_flag)
45 EXECUTE_IRQ(stmt2_4, rcu_update_flag = tmp + 1)
46 stmt2_else: skip;
47 EXECUTE_IRQ(stmt3, tmp = in_interrupt)
48 EXECUTE_IRQ(stmt4, in_interrupt = tmp + 1)
49 stmt5: skip;
50 atomic {
51     if
52     :: in_dyntick_nmi -> goto stmt4;
53     :: !in_dyntick_nmi && outermost ->
54     old_gp_idle = (gp_state == GP_IDLE);
55     :: else -> skip;
56     fi;
57 }
58 i++;
59 :: j < i ->
60 stmt6: skip;
61 atomic {
62     if
63     :: in_dyntick_nmi -> goto stmt6;
64     :: !in_dyntick_nmi && j + 1 == i ->
65     assert(!old_gp_idle ||
66         gp_state != GP_DONE);
67     :: else -> skip;
68     fi;
69 }
70 EXECUTE_IRQ(stmt7, tmp = in_interrupt);
71 EXECUTE_IRQ(stmt8, in_interrupt = tmp - 1);
72
73 stmt9: skip;
74 atomic {
75     if
76     :: in_dyntick_nmi -> goto stmt9;
77     :: !in_dyntick_nmi && rcu_update_flag != 0 ->
78     goto stmt9_then;
79     :: else -> goto stmt9_else;
80     fi;
81 }
82 stmt9_then: skip;
83 EXECUTE_IRQ(stmt9_1, tmp = rcu_update_flag)
84 EXECUTE_IRQ(stmt9_2, rcu_update_flag = tmp - 1)
85 stmt9_3: skip;
86 atomic {
87     if
88     :: in_dyntick_nmi -> goto stmt9_3;
89     :: !in_dyntick_nmi && rcu_update_flag == 0 ->
90     goto stmt9_3_then;
91     :: else -> goto stmt9_3_else;
92     fi;
93 }
94 stmt9_3_then: skip;
95 EXECUTE_IRQ(stmt9_3_1,
96     tmp = dynticks_progress_counter)
97 EXECUTE_IRQ(stmt9_3_2,
98     dynticks_progress_counter = tmp + 1)
99 stmt9_3_else:
100 stmt9_else: skip;
101 atomic {
102     j++;
103     in_dyntick_irq = (i != j);
104 }
105 od;
106 dyntick_irq_done = 1;
107 }

```

Note that we have open-coded the “if” statements (for example, lines 17-29). In

addition, statements that process strictly local state (such as line 58) need not exclude `dyntick_nmi()`.

Finally, `grace_period()` requires only a few changes:

```
1 proctype grace_period()
2 {
3   byte curr;
4   byte snap;
5   bit shouldexit;
6
7   gp_state = GP_IDLE;
8   atomic {
9     printf("MDLN = %d\n", MAX_DYNTICK_LOOP_NOHZ);
10    printf("MDLI = %d\n", MAX_DYNTICK_LOOP_IRQ);
11    printf("MDLN = %d\n", MAX_DYNTICK_LOOP_NMI);
12    shouldexit = 0;
13    snap = dynticks_progress_counter;
14    gp_state = GP_WAITING;
15  }
16  do
17  :: 1 ->
18    atomic {
19      assert(!shouldexit);
20      shouldexit = dyntick_nohz_done &&
21                  dyntick_irq_done &&
22                  dyntick_nmi_done;
23      curr = dynticks_progress_counter;
24      if
25      :: (curr - snap) >= 2 || (curr & 1) == 0 ->
26        break;
27      :: else -> skip;
28    fi;
29  }
30  od;
31  gp_state = GP_DONE;
32  gp_state = GP_IDLE;
33  atomic {
34    shouldexit = 0;
35    snap = dynticks_progress_counter;
36    gp_state = GP_WAITING;
37  }
38  do
39  :: 1 ->
40    atomic {
41      assert(!shouldexit);
42      shouldexit = dyntick_nohz_done &&
43                  dyntick_irq_done &&
44                  dyntick_nmi_done;
45      curr = dynticks_progress_counter;
46      if
47      :: (curr != snap) || ((curr & 1) == 0) ->
48        break;
49      :: else -> skip;
50    fi;
51  }
52  od;
53  gp_state = GP_DONE;
54 }
```

We have added the `printf()` for the new `MAX_DYNTICK_LOOP_NMI` parameter on line 11 and added `dyntick_nmi_done` to the `shouldexit` assignments on lines 22 and 44.

The model (`dyntickRCU-irq-nmi-ssl.spin`) results in a correct verification with several hundred million states, passing without errors.

**Quick Quiz 12.18:** Does Paul *always* write his code in this painfully incremental manner? ■

```

static inline void rcu_enter_nohz(void)
{
+   mb();
  __get_cpu_var(dynticks_progress_counter)++;
-   mb();
}

static inline void rcu_exit_nohz(void)
{
-   mb();
  __get_cpu_var(dynticks_progress_counter)++;
+   mb();
}

```

Figure 12.16: Memory-Barrier Fix Patch

```

-   if ((curr - snap) > 2 || (snap & 0x1) == 0)
+   if ((curr - snap) > 2 || (curr & 0x1) == 0)

```

Figure 12.17: Variable-Name-Typo Fix Patch

### 12.7.3 Lessons (Re)Learned

This effort provided some lessons (re)learned:

1. **Promela and spin can verify interrupt/NMI-handler interactions.**
2. **Documenting code can help locate bugs.** In this case, the documentation effort located a misplaced memory barrier in `rcu_enter_nohz()` and `rcu_exit_nohz()`, as shown by the patch in Figure 12.16.
3. **Validate your code early, often, and up to the point of destruction.** This effort located one subtle bug in `rcu_try_flip_waitack_needed()` that would have been quite difficult to test or debug, as shown by the patch in Figure 12.17.
4. **Always verify your verification code.** The usual way to do this is to insert a deliberate bug and verify that the verification code catches it. Of course, if the verification code fails to catch this bug, you may also need to verify the bug itself, and so on, recursing infinitely. However, if you find yourself in this position, getting a good night's sleep can be an extremely effective debugging technique.
5. **Use of atomic instructions can simplify verification.** Unfortunately, use of the `cmpxchg` atomic instruction would also slow down the critical irq fastpath, so they are not appropriate in this case.
6. **The need for complex formal verification often indicates a need to re-think your design.** In fact the design verified in this section turns out to have a much simpler solution, which is presented in the next section.

## 12.8 Simplicity Avoids Formal Verification

The complexity of the dynticks interface for preemptible RCU is primarily due to the fact that both irqs and NMIs use the same code path and the same state variables. This leads to the notion of providing separate code paths and variables for irqs and NMIs,



```

1 struct rcu_dynticks {
2     int dynticks_nesting;
3     int dynticks;
4     int dynticks_nmi;
5 };
6
7 struct rcu_data {
8     ...
9     int dynticks_snap;
10    int dynticks_nmi_snap;
11    ...
12 };

```

Figure 12.18: Variables for Simple Dynticks Interface

as has been done for hierarchical RCU [McK08a] as indirectly suggested by Manfred Spraul [Spr08b].

### 12.8.1 State Variables for Simplified Dynticks Interface

Figure 12.18 shows the new per-CPU state variables. These variables are grouped into structs to allow multiple independent RCU implementations (e.g., `rcu` and `rcu_bh`) to conveniently and efficiently share dynticks state. In what follows, they can be thought of as independent per-CPU variables.

The `dynticks_nesting`, `dynticks`, and `dynticks_snap` variables are for the irq code paths, and the `dynticks_nmi` and `dynticks_nmi_snap` variables are for the NMI code paths, although the NMI code path will also reference (but not modify) the `dynticks_nesting` variable. These variables are used as follows:

- `dynticks_nesting`: This counts the number of reasons that the corresponding CPU should be monitored for RCU read-side critical sections. If the CPU is in dynticks-idle mode, then this counts the irq nesting level, otherwise it is one greater than the irq nesting level.
- `dynticks`: This counter's value is even if the corresponding CPU is in dynticks-idle mode and there are no irq handlers currently running on that CPU, otherwise the counter's value is odd. In other words, if this counter's value is odd, then the corresponding CPU might be in an RCU read-side critical section.
- `dynticks_nmi`: This counter's value is odd if the corresponding CPU is in an NMI handler, but only if the NMI arrived while this CPU was in dyntick-idle mode with no irq handlers running. Otherwise, the counter's value will be even.
- `dynticks_snap`: This will be a snapshot of the `dynticks` counter, but only if the current RCU grace period has extended for too long a duration.
- `dynticks_nmi_snap`: This will be a snapshot of the `dynticks_nmi` counter, but again only if the current RCU grace period has extended for too long a duration.

If both `dynticks` and `dynticks_nmi` have taken on an even value during a given time interval, then the corresponding CPU has passed through a quiescent state during that interval.

**Quick Quiz 12.19:** But what happens if an NMI handler starts running before an

```

1 void rcu_enter_nohz(void)
2 {
3     unsigned long flags;
4     struct rcu_dynticks *rdtp;
5
6     smp_mb();
7     local_irq_save(flags);
8     rdtp = &__get_cpu_var(rcu_dynticks);
9     rdtp->dynticks++;
10    rdtp->dynticks_nesting--;
11    WARN_ON(rdtp->dynticks & 0x1);
12    local_irq_restore(flags);
13 }
14
15 void rcu_exit_nohz(void)
16 {
17     unsigned long flags;
18     struct rcu_dynticks *rdtp;
19
20    local_irq_save(flags);
21    rdtp = &__get_cpu_var(rcu_dynticks);
22    rdtp->dynticks++;
23    rdtp->dynticks_nesting++;
24    WARN_ON(!(rdtp->dynticks & 0x1));
25    local_irq_restore(flags);
26    smp_mb();
27 }

```

Figure 12.19: Entering and Exiting Dynticks-Idle Mode

irq handler completes, and if that NMI handler continues running until a second irq handler starts? ■

## 12.8.2 Entering and Leaving Dynticks-Idle Mode

Figure 12.19 shows the `rcu_enter_nohz()` and `rcu_exit_nohz()`, which enter and exit dynticks-idle mode, also known as “nohz” mode. These two functions are invoked from process context.

Line 6 ensures that any prior memory accesses (which might include accesses from RCU read-side critical sections) are seen by other CPUs before those marking entry to dynticks-idle mode. Lines 7 and 12 disable and reenables irqs. Line 8 acquires a pointer to the current CPU’s `rcu_dynticks` structure, and line 9 increments the current CPU’s `dynticks` counter, which should now be even, given that we are entering dynticks-idle mode in process context. Finally, line 10 decrements `dynticks_nesting`, which should now be zero.

The `rcu_exit_nohz()` function is quite similar, but increments `dynticks_nesting` rather than decrementing it and checks for the opposite `dynticks` polarity.

## 12.8.3 NMIs From Dynticks-Idle Mode

Figure 12.20 show the `rcu_nmi_enter()` and `rcu_nmi_exit()` functions, which inform RCU of NMI entry and exit, respectively, from dynticks-idle mode. However, if the NMI arrives during an irq handler, then RCU will already be on the lookout for RCU read-side critical sections from this CPU, so lines 6 and 7 of `rcu_nmi_enter` and lines 18 and 19 of `rcu_nmi_exit` silently return if `dynticks` is odd. Otherwise, the two functions increment `dynticks_nmi`, with `rcu_nmi_enter()` leaving it with an odd value and `rcu_nmi_exit()` leaving it with an even value. Both functions

```

1 void rcu_nmi_enter(void)
2 {
3     struct rcu_dynticks *rdtp;
4
5     rdtp = &__get_cpu_var(rcu_dynticks);
6     if (rdtp->dynticks & 0x1)
7         return;
8     rdtp->dynticks_nmi++;
9     WARN_ON(!(rdtp->dynticks_nmi & 0x1));
10    smp_mb();
11 }
12
13 void rcu_nmi_exit(void)
14 {
15     struct rcu_dynticks *rdtp;
16
17     rdtp = &__get_cpu_var(rcu_dynticks);
18     if (rdtp->dynticks & 0x1)
19         return;
20     smp_mb();
21     rdtp->dynticks_nmi++;
22     WARN_ON(rdtp->dynticks_nmi & 0x1);
23 }

```

Figure 12.20: NMIs From Dynticks-Idle Mode

execute memory barriers between this increment and possible RCU read-side critical sections on lines 11 and 21, respectively.

### 12.8.4 Interrupts From Dynticks-Idle Mode

Figure 12.21 shows `rcu_irq_enter()` and `rcu_irq_exit()`, which inform RCU of entry to and exit from, respectively, irq context. Line 6 of `rcu_irq_enter()` increments `dynticks_nesting`, and if this variable was already non-zero, line 7 silently returns. Otherwise, line 8 increments `dynticks`, which will then have an odd value, consistent with the fact that this CPU can now execute RCU read-side critical sections. Line 10 therefore executes a memory barrier to ensure that the increment of `dynticks` is seen before any RCU read-side critical sections that the subsequent irq handler might execute.

Line 18 of `rcu_irq_exit` decrements `dynticks_nesting`, and if the result is non-zero, line 19 silently returns. Otherwise, line 20 executes a memory barrier to ensure that the increment of `dynticks` on line 21 is seen after any RCU read-side critical sections that the prior irq handler might have executed. Line 22 verifies that `dynticks` is now even, consistent with the fact that no RCU read-side critical sections may appear in dynticks-idle mode. Lines 23-25 check to see if the prior irq handlers enqueued any RCU callbacks, forcing this CPU out of dynticks-idle mode via an reschedule IPI if so.

### 12.8.5 Checking For Dynticks Quiescent States

Figure 12.22 shows `dyntick_save_progress_counter()`, which takes a snapshot of the specified CPU's `dynticks` and `dynticks_nmi` counters. Lines 8 and 9 snapshot these two variables to locals, line 10 executes a memory barrier to pair with the memory barriers in the functions in Figures 12.19, 12.20, and 12.21. Lines 11 and 12 record the snapshots for later calls to `rcu_implicit_dynticks_qs`, and lines 13 and 14 checks to see if the CPU is in dynticks-idle mode with neither irqs nor NMIs

```

1 void rcu_irq_enter(void)
2 {
3     struct rcu_dynticks *rdtp;
4
5     rdtp = &__get_cpu_var(rcu_dynticks);
6     if (rdtp->dynticks_nesting++)
7         return;
8     rdtp->dynticks++;
9     WARN_ON(!(rdtp->dynticks & 0x1));
10    smp_mb();
11 }
12
13 void rcu_irq_exit(void)
14 {
15     struct rcu_dynticks *rdtp;
16
17     rdtp = &__get_cpu_var(rcu_dynticks);
18     if (--rdtp->dynticks_nesting)
19         return;
20     smp_mb();
21     rdtp->dynticks++;
22     WARN_ON(rdtp->dynticks & 0x1);
23     if (__get_cpu_var(rcu_data).nxtlist ||
24         __get_cpu_var(rcu_bh_data).nxtlist)
25         set_need_resched();
26 }

```

Figure 12.21: Interrupts From Dynticks-Idle Mode

```

1 static int
2 dyntick_save_progress_counter(struct rcu_data *rdp)
3 {
4     int ret;
5     int snap;
6     int snap_nmi;
7
8     snap = rdp->dynticks->dynticks;
9     snap_nmi = rdp->dynticks->dynticks_nmi;
10    smp_mb();
11    rdp->dynticks_snap = snap;
12    rdp->dynticks_nmi_snap = snap_nmi;
13    ret = ((snap & 0x1) == 0) &&
14          ((snap_nmi & 0x1) == 0);
15    if (ret)
16        rdp->dynticks_fqs++;
17    return ret;
18 }

```

Figure 12.22: Saving Dyntick Progress Counters

```

1 static int
2 rcu_implicit_dynticks_qs(struct rcu_data *rdp)
3 {
4     long curr;
5     long curr_nmi;
6     long snap;
7     long snap_nmi;
8
9     curr = rdp->dynticks->dynticks;
10    snap = rdp->dynticks_snap;
11    curr_nmi = rdp->dynticks->dynticks_nmi;
12    snap_nmi = rdp->dynticks_nmi_snap;
13    smp_mb();
14    if ((curr != snap || (curr & 0x1) == 0) &&
15        (curr_nmi != snap_nmi ||
16         (curr_nmi & 0x1) == 0)) {
17        rdp->dynticks_fqs++;
18        return 1;
19    }
20    return rcu_implicit_offline_qs(rdp);
21 }

```

Figure 12.23: Checking Dyntick Progress Counters

in progress (in other words, both snapshots have even values), hence in an extended quiescent state. If so, lines 15 and 16 count this event, and line 17 returns true if the CPU was in a quiescent state.

Figure 12.23 shows `dyntick_save_progress_counter`, which is called to check whether a CPU has entered dyntick-idle mode subsequent to a call to `dynticks_save_progress_counter()`. Lines 9 and 11 take new snapshots of the corresponding CPU's `dynticks` and `dynticks_nmi` variables, while lines 10 and 12 retrieve the snapshots saved earlier by `dynticks_save_progress_counter()`. Line 13 then executes a memory barrier to pair with the memory barriers in the functions in Figures 12.19, 12.20, and 12.21. Lines 14-16 then check to see if the CPU is either currently in a quiescent state (`curr` and `curr_nmi` having even values) or has passed through a quiescent state since the last call to `dynticks_save_progress_counter()` (the values of `dynticks` and `dynticks_nmi` having changed). If these checks confirm that the CPU has passed through a dyntick-idle quiescent state, then line 17 counts that fact and line 18 returns an indication of this fact. Either way, line 20 checks for race conditions that can result in RCU waiting for a CPU that is offline.

**Quick Quiz 12.20:** This is still pretty complicated. Why not just have a `cpumask_t` that has a bit set for each CPU that is in dyntick-idle mode, clearing the bit when entering an irq or NMI handler, and setting it upon exit? ■

## 12.8.6 Discussion

A slight shift in viewpoint resulted in a substantial simplification of the dynticks interface for RCU. The key change leading to this simplification was minimizing of sharing between irq and NMI contexts. The only sharing in this simplified interface is references from NMI context to irq variables (the `dynticks` variable). This type of sharing is benign, because the NMI functions never update this variable, so that its value remains constant through the lifetime of the NMI handler. This limitation of sharing allows the individual functions to be understood one at a time, in happy contrast to the situation described in Section 12.7, where an NMI might change shared state at any point during

```

1 PPC SB+lwsync-RMW-lwsync+isync-simple
2 ""
3 {
4 0:r2=x; 0:r3=2; 0:r4=y; 0:r10=0; 0:r11=0; 0:r12=z;
5 1:r2=y; 1:r4=x;
6 }
7 P0          | P1          ;
8 li r1,1     | li r1,1     ;
9 stw r1,0(r2) | stw r1,0(r2) ;
10 lwsync     | sync        ;
11          | lwz r3,0(r4) ;
12 lwarx r11,r10,r12 | ;
13 stwcx. r11,r10,r12 | ;
14 bne Fail1  | ;
15 isync      | ;
16 lwz r3,0(r4) | ;
17 Fail1:     | ;
18
19 exists
20 (0:r3=0 /\ 1:r3=0)

```

Figure 12.24: CPPMEM Litmus Test

execution of the irq functions.

Verification can be a good thing, but simplicity is even better.

## 12.9 Formal Verification and Memory Ordering

Section 12.6 showed how to convince Promela to account for weak memory ordering. Although this approach can work well, it requires that the developer fully understand the system’s memory model. Unfortunately, few (if and) developers fully understand the complex memory models of modern CPUs.

Therefore, another approach is to use a tool that already understands this memory ordering, such as the PPCMEM tool produced by Peter Sewell and Susmit Sarkar at the University of Cambridge, Luc Maranget, Francesco Zappa Nardelli, and Pankaj Pawan at INRIA, and Jade Alglave at Oxford University, in cooperation with Derek Williams of IBM [AMP<sup>+</sup>11]. This group formalized the memory models of Power, ARM, x86, as well as that of the C/C++11 standard [Bec11], and produced the CPPMEM tool based on the Power and ARM formalizations.

**Quick Quiz 12.21:** But x86 has strong memory ordering! Why would you need to formalize its memory model? ■

The PPCMEM tool takes *litmus tests* as input. A sample litmus test is presented in Section 12.9.1. Section 12.9.2 relates this litmus test to the equivalent C-language program, and Section 12.9.3 describes how to apply CPPMEM to this litmus test.

### 12.9.1 Anatomy of a Litmus Test

An example PowerPC litmus test for CPPMEM is shown in Figure 12.24. The ARM interface works exactly the same way, but with ARM instructions substituted for the Power instructions and with the initial “PPC” replaced by “ARM”. You can select the ARM interface by clicking on “Change to ARM Model” at the web page called out above.

In the example, line 1 identifies the type of system (“ARM” or “PPC”) and contains the title for the model. Line 2 provides a place for an alternative name for the test, which

you will usually want to leave blank as shown in the above example. Comments can be inserted between lines 2 and 3 using the OCaml (or Pascal) syntax of `(* *)`.

Lines 3-6 give initial values for all registers; each is of the form `P : R=V`, where `P` is the process identifier, `R` is the register identifier, and `V` is the value. For example, process 0's register `r3` initially contains the value 2. If the value is a variable (`x`, `y`, or `z` in the example) then the register is initialized to the address of the variable. It is also possible to initialize the contents of variables, for example, `x=1` initializes the value of `x` to 1. Uninitialized variables default to the value zero, so that in the example, `x`, `y`, and `z` are all initially zero.

Line 7 provides identifiers for the two processes, so that the `0 : r3=2` on line 4 could instead have been written `P0 : r3=2`. Line 7 is required, and the identifiers must be of the form `Pn`, where `n` is the column number, starting from zero for the left-most column. This may seem unnecessarily strict, but it does prevent considerable confusion in actual use.

**Quick Quiz 12.22:** Why does line 8 of Figure 12.24 initialize the registers? Why not instead initialize them on lines 4 and 5? ■

Lines 8-17 are the lines of code for each process. A given process can have empty lines, as is the case for `P0`'s line 11 and `P1`'s lines 12-17. Labels and branches are permitted, as demonstrated by the branch on line 14 to the label on line 17. That said, too-free use of branches will expand the state space. Use of loops is a particularly good way to explode your state space.

Lines 19-20 show the assertion, which in this case indicates that we are interested in whether `P0`'s and `P1`'s `r3` registers can both contain zero after both threads complete execution. This assertion is important because there are a number of use cases that would fail miserably if both `P0` and `P1` saw zero in their respective `r3` registers.

This should give you enough information to construct simple litmus tests. Some additional documentation is available, though much of this additional documentation is intended for a different research tool that runs tests on actual hardware. Perhaps more importantly, a large number of pre-existing litmus tests are available with the online tool (available via the “Select ARM Test” and “Select POWER Test” buttons). It is quite likely that one of these pre-existing litmus tests will answer your Power or ARM memory-ordering question.

## 12.9.2 What Does This Litmus Test Mean?

`P0`'s lines 8 and 9 are equivalent to the C statement `x=1` because line 4 defines `P0`'s register `r2` to be the address of `x`. `P0`'s lines 12 and 13 are the mnemonics for load-linked (“load register exclusive” in ARM parlance and “load reserve” in Power parlance) and store-conditional (“store register exclusive” in ARM parlance), respectively. When these are used together, they form an atomic instruction sequence, roughly similar to the compare-and-swap sequences exemplified by the x86 `lock;cmpxchg` instruction. Moving to a higher level of abstraction, the sequence from lines 10-15 is equivalent to the Linux kernel's `atomic_add_return(&z, 0)`. Finally, line 16 is roughly equivalent to the C statement `r3=y`.

`P1`'s lines 8 and 9 are equivalent to the C statement `y=1`, line 10 is a memory barrier, equivalent to the Linux kernel statement `smp_mb()`, and line 11 is equivalent to the C statement `r3=x`.

**Quick Quiz 12.23:** But whatever happened to line 17 of Figure 12.24, the one that is the `Fail : label`? ■

```

1 void P0(void)
2 {
3   int r3;
4
5   x = 1; /* Lines 8 and 9 */
6   atomic_add_return(&z, 0); /* Lines 10-15 */
7   r3 = y; /* Line 16 */
8 }
9
10 void P1(void)
11 {
12   int r3;
13
14   y = 1; /* Lines 8-9 */
15   smp_mb(); /* Line 10 */
16   r3 = x; /* Line 11 */
17 }

```

Figure 12.25: Meaning of CPPMEM Litmus Test

```

./ppcmem -model lwsync_read_block \
          -model coherence_points filename.litmus
...
States 6
0:r3=0; 1:r3=0;
0:r3=0; 1:r3=1;
0:r3=1; 1:r3=0;
0:r3=1; 1:r3=1;
0:r3=2; 1:r3=0;
0:r3=2; 1:r3=1;
Ok
Condition exists (0:r3=0 /\ 1:r3=0)
Hash=e2240ce2072a2610c034ccd4fc964e77
Observation SB+lwsync-RMW-lwsync+isync Sometimes 1

```

Figure 12.26: CPPMEM Detects an Error

Putting all this together, the C-language equivalent to the entire litmus test is as shown in Figure 12.25. The key point is that if `atomic_add_return()` acts as a full memory barrier (as the Linux kernel requires it to), then it should be impossible for `P0()`'s and `P1()`'s `r3` variables to both be zero after execution completes.

The next section describes how to run this litmus test.

### 12.9.3 Running a Litmus Test

Although litmus tests may be run interactively via <http://www.cl.cam.ac.uk/~pes20/ppcmem/>, which can help build an understanding of the memory model. However, this approach requires that the user manually carry out the full state-space search. Because it is very difficult to be sure that you have checked every possible sequence of events, a separate tool is provided for this purpose [McK11c].

Because the litmus test shown in Figure 12.24 contains read-modify-write instructions, we must add `-model` arguments to the command line. If the litmus test is stored in `filename.litmus`, this will result in the output shown in Figure 12.26, where the `...` stands for voluminous making-progress output. The list of states includes `0:r3=0; 1:r3=0;`, indicating once again that the old PowerPC implementation of `atomic_add_return()` does not act as a full barrier. The “Sometimes” on the last line confirms this: the assertion triggers for some executions, but not all of the time.

The fix to this Linux-kernel bug is to replace `P0`'s `isync` with `sync`, which results



```

./ppcmem -model lwsync_read_block \
         -model coherence_points filename.litmus
...
States 5
0:r3=0; 1:r3=1;
0:r3=1; 1:r3=0;
0:r3=1; 1:r3=1;
0:r3=2; 1:r3=0;
0:r3=2; 1:r3=1;
No (allowed not found)
Condition exists (0:r3=0 /\ 1:r3=0)
Hash=77dd723cda9981248ea4459fcdf6097d
Observation SB+lwsync-RMW-lwsync+sync Never 0 5

```

Figure 12.27: CPPMEM on Repaired Litmus Test

in the output shown in Figure 12.27. As you can see, `0:r3=0; 1:r3=0;` does not appear in the list of states, and the last line calls out “Never”. Therefore, the model predicts that the offending execution sequence cannot happen.

**Quick Quiz 12.24:** Does the ARM Linux kernel have a similar bug? ■

#### 12.9.4 CPPMEM Discussion

These tools promise to be of great help to people working on low-level parallel primitives that run on ARM and on Power. These tools do have some intrinsic limitations:

1. These tools are research prototypes, and as such are unsupported.
2. These tools do not constitute official statements by IBM or ARM on their respective CPU architectures. For example, both corporations reserve the right to report a bug at any time against any version of any of these tools. These tools are therefore not a substitute for careful stress testing on real hardware. Moreover, both the tools and the model that they are based on are under active development and might change at any time. On the other hand, this model was developed in consultation with the relevant hardware experts, so there is good reason to be confident that it is a robust representation of the architectures.
3. These tools currently handle a subset of the instruction set. This subset has been sufficient for my purposes, but your mileage may vary. In particular, the tool handles only word-sized accesses (32 bits), and the words accessed must be properly aligned. In addition, the tool does not handle some of the weaker variants of the ARM memory-barrier instructions.
4. The tools are restricted to small loop-free code fragments running on small numbers of threads. Larger examples result in state-space explosion, just as with similar tools such as Promela and spin.
5. The full state-space search does not give any indication of how each offending state was reached. That said, once you realize that the state is in fact reachable, it is usually not too hard to find that state using the interactive tool.
6. The tools will detect only those problems for which you code an assertion. This weakness is common to all formal methods, and is yet another reason why testing remains important. In the immortal words of Donald Knuth, “Beware of bugs in the above code; I have only proved it correct, not tried it.”

That said, one strength of these tools is that they are designed to model the full range of behaviors allowed by the architectures, including behaviors that are legal, but which current hardware implementations do not yet inflict on unwary software developers. Therefore, an algorithm that is vetted by these tools likely has some additional safety margin when running on real hardware. Furthermore, testing on real hardware can only find bugs; such testing is inherently incapable of proving a given usage correct. To appreciate this, consider that the researchers routinely ran in excess of 100 billion test runs on real hardware to validate their model. In one case, behavior that is allowed by the architecture did not occur, despite 176 billion runs [AMP<sup>+</sup>11]. In contrast, the full-state-space search allows the tool to prove code fragments correct.

It is worth repeating that formal methods and tools are no substitute for testing. The fact is that producing large reliable concurrent software artifacts, the Linux kernel for example, is quite difficult. Developers must therefore be prepared to apply every tool at their disposal towards this goal. The tools presented in this paper are able to locate bugs that are quite difficult to produce (let alone track down) via testing. On the other hand, testing can be applied to far larger bodies of software than the tools presented in this paper are ever likely to handle. As always, use the right tools for the job!

Of course, it is always best to avoid the need to work at this level by designing your parallel code to be easily partitioned and then using higher-level primitives (such as locks, sequence counters, atomic operations, and RCU) to get your job done more straightforwardly. And even if you absolutely must use low-level memory barriers and read-modify-write instructions to get your job done, the more conservative your use of these sharp instruments, the easier your life is likely to be.

## 12.10 Summary

Promela and CPPMEM are very powerful tools for validating small parallel algorithms, but they should not be the only tools in your toolbox. The QRCU experience is a case in point: given the Promela validation, the proof of correctness, and several rcutorture runs, I now feel reasonably confident in the QRCU algorithm and its implementation. But I would certainly not feel so confident given only one of the three!

Nevertheless, if your code is so complex that you find yourself relying too heavily on validation tools, you should carefully rethink your design. For example, a complex implementation of the dynticks interface for preemptible RCU that was presented in Section 12.7 turned out to have a much simpler alternative implementation, as discussed in Section 12.8. All else being equal, a simpler implementation is much better than a mechanical proof for a complex implementation!

## Chapter 13

# Putting It All Together

This chapter gives a few hints on handling some concurrent-programming puzzles, starting with counter conundrums in Section 13.1, continuing with some RCU rescues in Section 13.2, and finishing off with some hashing hassles in Section 13.3.

### 13.1 Counter Conundrums

This section outlines possible solutions to some counter conundrums.

#### 13.1.1 Counting Updates

Suppose that Schödinger (see Section 10.1) wants to count the number of updates for each animal, and that these updates are synchronized using a per-data-element lock. How can this counting best be done?

Of course, any number of counting algorithms from Chapter 5 might be considered, but the optimal approach is much simpler in this case. Just place a counter in each data element, and increment it under the protection of that element's lock!

#### 13.1.2 Counting Lookups

Suppose that Schödinger also wants to count the number of lookups for each animal, where lookups are protected by RCU. How can this counting best be done?

One approach would be to protect a lookup counter with the per-element lock, as discussed in Section 13.1.1. Unfortunately, this would require all lookups to acquire this lock, which would be a severe bottleneck on large systems.

Another approach is to “just say no” to counting, following the example of the `noatime` mount option. If this approach is feasible, it is clearly the best: After all, nothing is faster than doing nothing. If the lookup count cannot be dispensed with, read on!

Any of the counters from Chapter 5 could be pressed into service, with the statistical counters described in Section 5.2 being perhaps the most common choice. However, this results in a large memory footprint: The number of counters required is the number of data elements multiplied by the number of threads.

If this memory overhead is excessive, then one approach is to keep per-socket counters rather than per-CPU counters, with an eye to the hash-table performance

results depicted in Figure 10.8. This will require that the counter increments be atomic operations, especially for user-mode execution where a given thread could migrate to another CPU at any time.

If some elements are looked up very frequently, there are a number of approaches that batch updates by maintaining a per-thread log, where multiple log entries for a given element can be merged. After a given log entry has a sufficiently large increment or after sufficient time has passed, the log entries may be applied to the corresponding data elements. Silas Boyd-Wickizer has done some work formalizing this notion [BW14].

## 13.2 RCU Rescues

This section shows how to apply RCU to some examples discussed earlier in this book. In some cases, RCU provides simpler code, in other cases better performance and scalability, and in still other cases, both.

### 13.2.1 RCU and Per-Thread-Variable-Based Statistical Counters

Section 5.2.4 described an implementation of statistical counters that provided excellent performance, roughly that of simple increment (as in the C++ operator), and linear scalability — but only for incrementing via `inc_count()`. Unfortunately, threads needing to read out the value via `read_count()` were required to acquire a global lock, and thus incurred high overhead and suffered poor scalability. The code for the lock-based implementation is shown in Figure 5.9 on Page 57.

**Quick Quiz 13.1:** Why on earth did we need that global lock in the first place? ■

#### 13.2.1.1 Design

The hope is to use RCU rather than `final_mutex` to protect the thread traversal in `read_count()` in order to obtain excellent performance and scalability from `read_count()`, rather than just from `inc_count()`. However, we do not want to give up any accuracy in the computed sum. In particular, when a given thread exits, we absolutely cannot lose the exiting thread's count, nor can we double-count it. Such an error could result in inaccuracies equal to the full precision of the result, in other words, such an error would make the result completely useless. And in fact, one of the purposes of `final_mutex` is to ensure that threads do not come and go in the middle of `read_count()` execution.

**Quick Quiz 13.2:** Just what is the accuracy of `read_count()`, anyway? ■

Therefore, if we are to dispense with `final_mutex`, we will need to come up with some other method for ensuring consistency. One approach is to place the total count for all previously exited threads and the array of pointers to the per-thread counters into a single structure. Such a structure, once made available to `read_count()`, is held constant, ensuring that `read_count()` sees consistent data.

#### 13.2.1.2 Implementation

Lines 1-4 of Figure 13.1 show the `countarray` structure, which contains a `->total` field for the count from previously exited threads, and a `counterp[]` array of pointers to the per-thread `counter` for each currently running thread. This structure allows a

```

1 struct countarray {
2     unsigned long total;
3     unsigned long *counterp[NR_THREADS];
4 };
5
6 long __thread counter = 0;
7 struct countarray *countarrayp = NULL;
8 DEFINE_SPINLOCK(final_mutex);
9
10 void inc_count(void)
11 {
12     counter++;
13 }
14
15 long read_count(void)
16 {
17     struct countarray *cap;
18     unsigned long sum;
19     int t;
20
21     rcu_read_lock();
22     cap = rcu_dereference(countarrayp);
23     sum = cap->total;
24     for_each_thread(t)
25         if (cap->counterp[t] != NULL)
26             sum += *cap->counterp[t];
27     rcu_read_unlock();
28     return sum;
29 }
30
31 void count_init(void)
32 {
33     countarrayp = malloc(sizeof(*countarrayp));
34     if (countarrayp == NULL) {
35         fprintf(stderr, "Out of memory\n");
36         exit(-1);
37     }
38     memset(countarrayp, '\0', sizeof(*countarrayp));
39 }
40
41 void count_register_thread(void)
42 {
43     int idx = smp_thread_id();
44
45     spin_lock(&final_mutex);
46     countarrayp->counterp[idx] = &counter;
47     spin_unlock(&final_mutex);
48 }
49
50 void count_unregister_thread(int nthreadsexpected)
51 {
52     struct countarray *cap;
53     struct countarray *capold;
54     int idx = smp_thread_id();
55
56     cap = malloc(sizeof(*countarrayp));
57     if (cap == NULL) {
58         fprintf(stderr, "Out of memory\n");
59         exit(-1);
60     }
61     spin_lock(&final_mutex);
62     *cap = *countarrayp;
63     cap->total += counter;
64     cap->counterp[idx] = NULL;
65     capold = countarrayp;
66     rcu_assign_pointer(countarrayp, cap);
67     spin_unlock(&final_mutex);
68     synchronize_rcu();
69     free(capold);
70 }

```

Figure 13.1: RCU and Per-Thread Statistical Counters

given execution of `read_count()` to see a total that is consistent with the indicated set of running threads.

Lines 6-8 contain the definition of the per-thread `counter` variable, the global pointer `countarrayp` referencing the current `countarray` structure, and the `final_mutex` spinlock.

Lines 10-13 show `inc_count()`, which is unchanged from Figure 5.9.

Lines 15-29 show `read_count()`, which has changed significantly. Lines 21 and 27 substitute `rcu_read_lock()` and `rcu_read_unlock()` for acquisition and release of `final_mutex`. Line 22 uses `rcu_dereference()` to snapshot the current `countarray` structure into local variable `cap`. Proper use of RCU will guarantee that this `countarray` structure will remain with us through at least the end of the current RCU read-side critical section at line 27. Line 23 initializes `sum` to `cap->total`, which is the sum of the counts of threads that have previously exited. Lines 24-26 add up the per-thread counters corresponding to currently running threads, and, finally, line 28 returns the sum.

The initial value for `countarrayp` is provided by `count_init()` on lines 31-39. This function runs before the first thread is created, and its job is to allocate and zero the initial structure, and then assign it to `countarrayp`.

Lines 41-48 show the `count_register_thread()` function, which is invoked by each newly created thread. Line 43 picks up the current thread's index, line 45 acquires `final_mutex`, line 46 installs a pointer to this thread's `counter`, and line 47 releases `final_mutex`.

**Quick Quiz 13.3:** Hey!!! Line 45 of Figure 13.1 modifies a value in a pre-existing `countarray` structure! Didn't you say that this structure, once made available to `read_count()`, remained constant??? ■

Lines 50-70 shows `count_unregister_thread()`, which is invoked by each thread just before it exits. Lines 56-60 allocate a new `countarray` structure, line 61 acquires `final_mutex` and line 67 releases it. Line 62 copies the contents of the current `countarray` into the newly allocated version, line 63 adds the exiting thread's `counter` to new structure's total, and line 64 NULLs the exiting thread's `counterp[]` array element. Line 65 then retains a pointer to the current (soon to be old) `countarray` structure, and line 66 uses `rcu_assign_pointer()` to install the new version of the `countarray` structure. Line 68 waits for a grace period to elapse, so that any threads that might be concurrently executing in `read_count`, and thus might have references to the old `countarray` structure, will be allowed to exit their RCU read-side critical sections, thus dropping any such references. Line 69 can then safely free the old `countarray` structure.

### 13.2.1.3 Discussion

**Quick Quiz 13.4:** Wow! Figure 13.1 contains 69 lines of code, compared to only 42 in Figure 5.9. Is this extra complexity really worth it? ■

Use of RCU enables exiting threads to wait until other threads are guaranteed to be done using the exiting threads' `__thread` variables. This allows the `read_count()` function to dispense with locking, thereby providing excellent performance and scalability for both the `inc_count()` and `read_count()` functions. However, this performance and scalability come at the cost of some increase in code complexity. It is hoped that compiler and library writers employ user-level RCU [Des09] to provide safe cross-thread access to `__thread` variables, greatly reducing the complexity seen by users of `__thread` variables.

```

1 struct foo {
2     int length;
3     char *a;
4 };

```

Figure 13.2: RCU-Protected Variable-Length Array

### 13.2.2 RCU and Counters for Removable I/O Devices

Section 5.5 showed a fanciful pair of code fragments for dealing with counting I/O accesses to removable devices. These code fragments suffered from high overhead on the fastpath (starting an I/O) due to the need to acquire a reader-writer lock.

This section shows how RCU may be used to avoid this overhead.

The code for performing an I/O is quite similar to the original, with an RCU read-side critical section be substituted for the reader-writer lock read-side critical section in the original:

```

1 rcu_read_lock();
2 if (removing) {
3     rcu_read_unlock();
4     cancel_io();
5 } else {
6     add_count(1);
7     rcu_read_unlock();
8     do_io();
9     sub_count(1);
10 }

```

The RCU read-side primitives have minimal overhead, thus speeding up the fastpath, as desired.

The updated code fragment removing a device is as follows:

```

1 spin_lock(&mylock);
2 removing = 1;
3 sub_count(mybias);
4 spin_unlock(&mylock);
5 synchronize_rcu();
6 while (read_count() != 0) {
7     poll(NULL, 0, 1);
8 }
9 remove_device();

```

Here we replace the reader-writer lock with an exclusive spinlock and add a `synchronize_rcu()` to wait for all of the RCU read-side critical sections to complete. Because of the `synchronize_rcu()`, once we reach line 6, we know that all remaining I/Os have been accounted for.

Of course, the overhead of `synchronize_rcu()` can be large, but given that device removal is quite rare, this is usually a good tradeoff.

### 13.2.3 Array and Length

Suppose we have an RCU-protected variable-length array, as shown in Figure 13.2. The length of the array `->a[]` can change dynamically, and at any given time, its length is

```

1 struct foo_a {
2     int length;
3     char a[0];
4 };
5
6 struct foo {
7     struct foo_a *fa;
8 };

```

Figure 13.3: Improved RCU-Protected Variable-Length Array

given by the field `->length`. Of course, this introduces the following race condition:

1. The array is initially 16 characters long, and thus `->length` is equal to 16.
2. CPU 0 loads the value of `->length`, obtaining the value 16.
3. CPU 1 shrinks the array to be of length 8, and assigns a pointer to a new 8-character block of memory into `->a[]`.
4. CPU 0 picks up the new pointer from `->a[]`, and stores a new value into element 12. Because the array has only 8 characters, this results in a SEGV or (worse yet) memory corruption.

How can we prevent this?

One approach is to make careful use of memory barriers, which are covered in Section 14.2. This works, but incurs read-side overhead and, perhaps worse, requires use of explicit memory barriers.

A better approach is to put the value and the array into the same structure, as shown in Figure 13.3. Allocating a new array (`foo_a` structure) then automatically provides a new place for the array length. This means that if any CPU picks up a reference to `->fa`, it is guaranteed that the `->length` will match the `->a[]` length [ACMS03].

1. The array is initially 16 characters long, and thus `->length` is equal to 16.
2. CPU 0 loads the value of `->fa`, obtaining a pointer to the structure containing the value 16 and the 16-byte array.
3. CPU 0 loads the value of `->fa->length`, obtaining the value 16.
4. CPU 1 shrinks the array to be of length 8, and assigns a pointer to a new `foo_a` structure containing an 8-character block of memory into `->a[]`.
5. CPU 0 picks up the new pointer from `->a[]`, and stores a new value into element 12. But because CPU 0 is still referencing the old `foo_a` structure that contains the 16-byte array, all is well.

Of course, in both cases, CPU 1 must wait for a grace period before freeing the old array.

A more general version of this approach is presented in the next section.



```

1 struct animal {
2   char name[40];
3   double age;
4   double meas_1;
5   double meas_2;
6   double meas_3;
7   char photo[0]; /* large bitmap. */
8 };

```

Figure 13.4: Uncorrelated Measurement Fields

```

1 struct measurement {
2   double meas_1;
3   double meas_2;
4   double meas_3;
5 };
6
7 struct animal {
8   char name[40];
9   double age;
10  struct measurement *mp;
11  char photo[0]; /* large bitmap. */
12 };

```

Figure 13.5: Correlated Measurement Fields

### 13.2.4 Correlated Fields

Suppose that each of Schödinger’s animals is represented by the data element shown in Figure 13.4. The `meas_1`, `meas_2`, and `meas_3` fields are a set of correlated measurements that are updated periodically. It is critically important that readers see these three values from a single measurement update: If a reader sees an old value of `meas_1` but new values of `meas_2` and `meas_3`, that reader will become fatally confused. How can we guarantee that readers will see coordinated sets of these three values?

One approach would be to allocate a new `animal` structure, copy the old structure into the new structure, update the new structure’s `meas_1`, `meas_2`, and `meas_3` fields, and then replace the old structure with a new one by updating the pointer. This does guarantee that all readers see coordinated sets of measurement values, but it requires copying a large structure due to the `->photo[]` field. This copying might incur unacceptably large overhead.

Another approach is to insert a level of indirection, as shown in Figure 13.5. When a new measurement is taken, a new `measurement` structure is allocated, filled in with the measurements, and the `animal` structure’s `->mp` field is updated to point to this new `measurement` structure using `rcu_assign_pointer()`. After a grace period elapses, the old `measurement` structure can be freed.

**Quick Quiz 13.5:** But can’t the approach shown in Figure 13.5 result in extra cache misses, in turn resulting in additional read-side overhead? ■

This approach enables readers to see correlated values for selected fields with minimal read-side overhead.

## 13.3 Hashing Hassles

This section looks at some issues that can arise when dealing with hash tables. Please note that these issues also apply to many other search structures.

### 13.3.1 Correlated Data Elements

This situation is analogous to that in Section 13.2.4: We have a hash table where we need correlated views of two or more of the elements. These elements are updated together, and we do not want to see an old version of the first element along with new versions of the other elements. For example, Schrödinger decided to add his extended family to his in-memory database along with all his animals. Although Schrödinger understands that marriages and divorces do not happen instantaneously, he is also a traditionalist. As such, he absolutely does not want his database ever to show that the bride is now married, but the groom is not, and vice versa. In other words, Schrödinger wants to be able to carry out a wedlock-consistent traversal of his database.

One approach is to use sequence locks (see Section 9.2), so that wedlock-related updates are carried out under the protection of `write_seqlock()`, while reads requiring wedlock consistency are carried out within a `read_seqbegin() / read_seqretry()` loop. Note that sequence locks are not a replacement for RCU protection: Sequence locks protect against concurrent modifications, but RCU is still needed to protect against concurrent deletions.

This approach works quite well when the number of correlated elements is small, the time to read these elements is short, and the update rate is low. Otherwise, updates might happen so quickly that readers might never complete. Although Schrödinger does not expect that even his least-sane relatives will marry and divorce quickly enough for this to be a problem, he does realize that this problem could well arise in other situations. One way to avoid this reader-starvation problem is to have the readers use the update-side primitives if there have been too many retries, but this can degrade both performance and scalability.

In addition, if the update-side primitives are used too frequently, poor performance and scalability will result due to lock contention. One way to avoid this is to maintain a per-element sequence lock, and to hold both spouses' locks when updating their marital status. Readers can do their retry looping on either of the spouses' locks to gain a stable view of any change in marital status involving both members of the pair. This avoids contention due to high marriage and divorce rates, but complicates gaining a stable view of all marital statuses during a single scan of the database.

If the element groupings are well-defined and persistent, which marital status is hoped to be, then one approach is to add pointers to the data elements to link together the members of a given group. Readers can then traverse these pointers to access all the data elements in the same group as the first one located.

Other approaches using version numbering are left as exercises for the interested reader.

### 13.3.2 Update-Friendly Hash-Table Traversal

Suppose that a statistical scan of all elements in a hash table is required. For example, Schrödinger might wish to compute the average length-to-weight ratio over all of his

animals.<sup>1</sup> Suppose further that Schrödinger is willing to ignore slight errors due to animals being added to and removed from the hash table while this statistical scan is being carried out. What should Schrödinger do to control concurrency?

One approach is to enclose the statistical scan in an RCU read-side critical section. This permits updates to proceed concurrently without unduly impeding the scan. In particular, the scan does not block the updates and vice versa, which allows scan of hash tables containing very large numbers of elements to be supported gracefully, even in the face of very high update rates.

**Quick Quiz 13.6:** But how does this scan work while a resizable hash table is being resized? In that case, neither the old nor the new hash table is guaranteed to contain all the elements in the hash table! ■

---

<sup>1</sup> Why would such a quantity be useful? Beats me! But group statistics in general are often useful.



## Chapter 14

# Advanced Synchronization

### 14.1 Avoiding Locks

Although locking is the workhorse of parallelism in production, in many situations performance, scalability, and real-time response can all be greatly improved through use of lockless techniques. A particularly impressive example of such a lockless technique are the statistical counters described in Section 5.2, which avoids not only locks, but also atomic operations, memory barriers, and even cache misses for counter increments. Other examples we have covered include:

1. The fastpaths through a number of other counting algorithms in Chapter 5.
2. The fastpath through resource allocator caches in Section 6.4.3.
3. The maze solver in Section 6.5.
4. The data-ownership techniques described in Section 8.
5. The reference-counting and RCU techniques described in Chapter 9.
6. The lookup code paths described in Chapter 10.
7. Many of the techniques described in Chapter 13.

In short, lockless techniques are quite useful and are heavily used.

However, it is best if lockless techniques are hidden behind a well-defined API, such as the `inc_count()`, `memblock_alloc()`, `rcu_read_lock()`, and so on. The reason for this is that undisciplined use of lockless techniques is a good way to create difficult bugs.

A key component of many lockless techniques is the memory barrier, which is described in the following section.

### 14.2 Memory Barriers

Author: David Howells and Paul McKenney.

Causality and sequencing are deeply intuitive, and hackers often tend to have a much stronger grasp of these concepts than does the general population. These intuitions can

be extremely powerful tools when writing, analyzing, and debugging both sequential code and parallel code that makes use of standard mutual-exclusion mechanisms, such as locking and RCU.

Unfortunately, these intuitions break down completely in face of code that makes direct use of explicit memory barriers for data structures in shared memory (driver writers making use of MMIO registers can place greater trust in their intuition, but more on this later). The following sections show exactly where this intuition breaks down, and then puts forward a mental model of memory barriers that can help you avoid these pitfalls.

Section 14.2.1 gives a brief overview of memory ordering and memory barriers. Once this background is in place, the next step is to get you to admit that your intuition has a problem. This painful task is taken up by Section 14.2.2, which shows an intuitively correct code fragment that fails miserably on real hardware, and by Section 14.2.3, which presents some code demonstrating that scalar variables can take on multiple values simultaneously. Once your intuition has made it through the grieving process, Section 14.2.4 provides the basic rules that memory barriers follow, rules that we will build upon. These rules are further refined in Sections 14.2.5 through 14.2.14.

### 14.2.1 Memory Ordering and Memory Barriers

But why are memory barriers needed in the first place? Can't CPUs keep track of ordering on their own? Isn't that why we have computers in the first place, to keep track of things?

Many people do indeed expect their computers to keep track of things, but many also insist that they keep track of things quickly. One difficulty that modern computer-system vendors face is that the main memory cannot keep up with the CPU – modern CPUs can execute hundreds of instructions in time required to fetch a single variable from memory. CPUs therefore sport increasingly large caches, as shown in Figure 14.1. Variables that are heavily used by a given CPU will tend to remain in that CPU's cache, allowing high-speed access to the corresponding data.

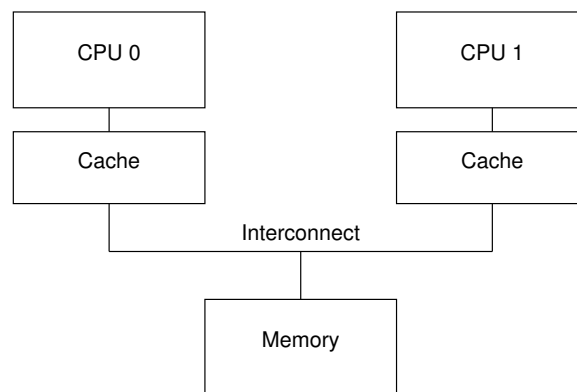


Figure 14.1: Modern Computer System Cache Structure

Unfortunately, when a CPU accesses data that is not yet in its cache will result in an expensive “cache miss”, requiring the data to be fetched from main memory. Doubly unfortunately, running typical code results in a significant number of cache misses. To

limit the resulting performance degradation, CPUs have been designed to execute other instructions and memory references while waiting for a cache miss to fetch data from memory. This clearly causes instructions and memory references to execute out of order, which could cause serious confusion, as illustrated in Figure 14.2. Compilers and synchronization primitives (such as locking and RCU) are responsible for maintaining the illusion of ordering through use of “memory barriers” (for example, `smp_mb()` in the Linux kernel). These memory barriers can be explicit instructions, as they are on ARM, POWER, Itanium, and Alpha, or they can be implied by other instructions, as they are on x86.

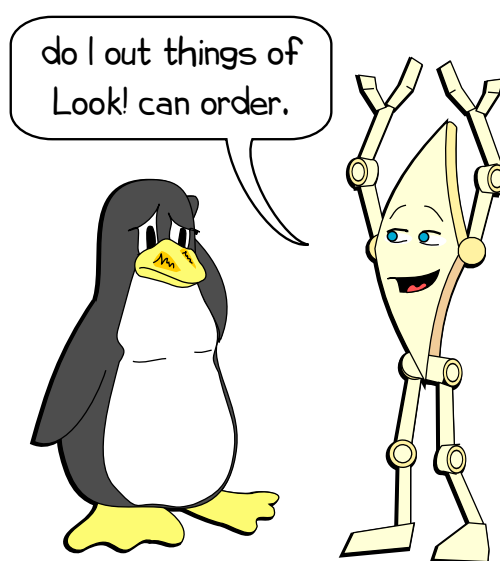


Figure 14.2: CPUs Can Do Things Out of Order

Since the standard synchronization primitives preserve the illusion of ordering, your path of least resistance is to stop reading this section and simply use these primitives.

However, if you need to implement the synchronization primitives themselves, or if you are simply interested in understanding how memory ordering and memory barriers work, read on!

The next sections present counter-intuitive scenarios that you might encounter when using explicit memory barriers.

### 14.2.2 If B Follows A, and C Follows B, Why Doesn't C Follow A?

Memory ordering and memory barriers can be extremely counter-intuitive. For example, consider the functions shown in Figure 14.3 executing in parallel where variables A, B, and C are initially zero:

Intuitively, `thread0()` assigns to B after it assigns to A, `thread1()` waits until `thread0()` has assigned to B before assigning to C, and `thread2()` waits until `thread1()` has assigned to C before referencing A. Therefore, again intuitively, the assertion on line 21 cannot possibly fire.

```

1 thread0(void)
2 {
3   A = 1;
4   smp_wmb();
5   B = 1;
6 }
7
8 thread1(void)
9 {
10  while (B != 1)
11    continue;
12  barrier();
13  C = 1;
14 }
15
16 thread2(void)
17 {
18  while (C != 1)
19    continue;
20  smp_mb();
21  assert(A != 0);
22 }

```

Figure 14.3: Parallel Hardware is Non-Causal

This line of reasoning, intuitively obvious though it may be, is completely and utterly incorrect. Please note that this is *not* a theoretical assertion: actually running this code on real-world weakly-ordered hardware (a 1.5GHz 16-CPU POWER 5 system) resulted in the assertion firing 16 times out of 10 million runs. Clearly, anyone who produces code with explicit memory barriers should do some extreme testing – although a proof of correctness might be helpful, the strongly counter-intuitive nature of the behavior of memory barriers should in turn strongly limit one’s trust in such proofs. The requirement for extreme testing should not be taken lightly, given that a number of dirty hardware-dependent tricks were used to greatly *increase* the probability of failure in this run.

**Quick Quiz 14.1:** How on earth could the assertion on line 21 of the code in Figure 14.3 on page 356 *possibly* fail? ■

**Quick Quiz 14.2:** Great... So how do I fix it? ■

So what should you do? Your best strategy, if possible, is to use existing primitives that incorporate any needed memory barriers, so that you can simply ignore the rest of this chapter.

Of course, if you are implementing synchronization primitives, you don’t have this luxury. The following discussion of memory ordering and memory barriers is for you.

### 14.2.3 Variables Can Have More Than One Value

It is natural to think of a variable as taking on a well-defined sequence of values in a well-defined, global order. Unfortunately, it is time to say “goodbye” to this sort of comforting fiction.

To see this, consider the program fragment shown in Figure 14.4. This code fragment is executed in parallel by several CPUs. Line 1 sets a shared variable to the current CPU’s ID, line 2 initializes several variables from a `gettb()` function that delivers the value of fine-grained hardware “timebase” counter that is synchronized among all CPUs (not available from all CPU architectures, unfortunately!), and the loop from lines 3-8 records the length of time that the variable retains the value that this CPU assigned to it.



Of course, one of the CPUs will “win”, and would thus never exit the loop if not for the check on lines 7-8.

**Quick Quiz 14.3:** What assumption is the code fragment in Figure 14.4 making that might not be valid on real hardware? ■

```

1 state.variable = mycpu;
2 lasttb = oldtb = firsttb = gettb();
3 while (state.variable == mycpu) {
4     lasttb = oldtb;
5     oldtb = gettb();
6     if (lasttb - firsttb > 1000)
7         break;
8 }

```

Figure 14.4: Software Logic Analyzer

Upon exit from the loop, `firsttb` will hold a timestamp taken shortly after the assignment and `lasttb` will hold a timestamp taken before the last sampling of the shared variable that still retained the assigned value, or a value equal to `firsttb` if the shared variable had changed before entry into the loop. This allows us to plot each CPU’s view of the value of `state.variable` over a 532-nanosecond time period, as shown in Figure 14.5. This data was collected on 1.5GHz POWER5 system with 8 cores, each containing a pair of hardware threads. CPUs 1, 2, 3, and 4 recorded the values, while CPU 0 controlled the test. The timebase counter period was about 5.32ns, sufficiently fine-grained to allow observations of intermediate cache states.

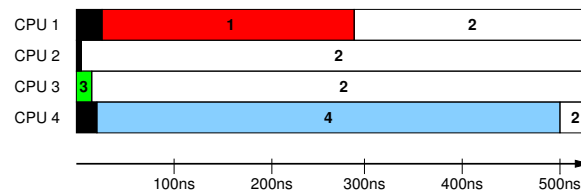


Figure 14.5: A Variable With Multiple Simultaneous Values

Each horizontal bar represents the observations of a given CPU over time, with the black regions to the left indicating the time before the corresponding CPU’s first measurement. During the first 5ns, only CPU 3 has an opinion about the value of the variable. During the next 10ns, CPUs 2 and 3 disagree on the value of the variable, but thereafter agree that the value is “2”, which is in fact the final agreed-upon value. However, CPU 1 believes that the value is “1” for almost 300ns, and CPU 4 believes that the value is “4” for almost 500ns.

**Quick Quiz 14.4:** How could CPUs possibly have different views of the value of a single variable *at the same time*? ■

**Quick Quiz 14.5:** Why do CPUs 2 and 3 come to agreement so quickly, when it takes so long for CPUs 1 and 4 to come to the party? ■

We have entered a regime where we must bid a fond farewell to comfortable intuitions about values of variables and the passage of time. This is the regime where memory barriers are needed.

## 14.2.4 What Can You Trust?

You most definitely cannot trust your intuition.

What *can* you trust?

It turns out that there are a few reasonably simple rules that allow you to make good use of memory barriers. This section derives those rules, for those who wish to get to the bottom of the memory-barrier story, at least from the viewpoint of portable code. If you just want to be told what the rules are rather than suffering through the actual derivation, please feel free to skip to Section 14.2.6.

The exact semantics of memory barriers vary wildly from one CPU to another, so portable code must rely only on the least-common-denominator semantics of memory barriers.

Fortunately, all CPUs impose the following rules:

1. All accesses by a given CPU will appear to that CPU to have occurred in program order.
2. All CPUs' accesses to a single variable will be consistent with some global ordering of stores to that variable.
3. Memory barriers will operate in a pair-wise fashion.
4. Operations will be provided from which exclusive locking primitives may be constructed.

Therefore, if you need to use memory barriers in portable code, you can rely on all of these properties.<sup>1</sup> Each of these properties is described in the following sections.

### 14.2.4.1 Self-References Are Ordered

A given CPU will see its own accesses as occurring in “program order”, as if the CPU was executing only one instruction at a time with no reordering or speculation. For older CPUs, this restriction is necessary for binary compatibility, and only secondarily for the sanity of us software types. There have been a few CPUs that violate this rule to a limited extent, but in those cases, the compiler has been responsible for ensuring that ordering is explicitly enforced as needed.

Either way, from the programmer's viewpoint, the CPU sees its own accesses in program order.

### 14.2.4.2 Single-Variable Memory Consistency

Because current commercially available computer systems provide *cache coherence*, if a group of CPUs all do concurrent non-atomic stores to a single variable, the series of values seen by all CPUs will be consistent with at least one global ordering. For example, in the series of accesses shown in Figure 14.5, CPU 1 sees the sequence {1, 2}, CPU 2 sees the sequence {2}, CPU 3 sees the sequence {3, 2}, and CPU 4 sees the sequence {4, 2}. This is consistent with the global sequence {3, 1, 4, 2}, but also with all five of the other sequences of these four numbers that end in “2”. Thus, there will be agreement on the sequence of values taken on by a single variable, but there might be ambiguity.

---

<sup>1</sup> Or, better yet, you can avoid explicit use of memory barriers entirely. But that would be the subject of other sections.

In contrast, had the CPUs used atomic operations (such as the Linux kernel's `atomic_inc_return()` primitive) rather than simple stores of unique values, their observations would be guaranteed to determine a single globally consistent sequence of values. One of the `atomic_inc_return()` invocations would happen first, and would change the value from 0 to 1, the second from 1 to 2, and so on. The CPUs could compare notes afterwards and come to agreement on the exact ordering of the sequence of `atomic_inc_return()` invocations. This does not work for the non-atomic stores described earlier because the non-atomic stores do not return any indication of the earlier value, hence the possibility of ambiguity.

Please note well that this section applies *only* when all CPUs' accesses are to one single variable. In this single-variable case, cache coherence guarantees the global ordering, at least assuming that some of the more aggressive compiler optimizations are disabled via the Linux kernel's `ACCESS_ONCE()` directive or C++11's relaxed atomics [Bec11]. In contrast, if there are multiple variables, memory barriers are required for the CPUs to consistently agree on the order for current commercially available computer systems.

#### 14.2.4.3 Pair-Wise Memory Barriers

Pair-wise memory barriers provide conditional ordering semantics. For example, in the following set of operations, CPU 1's access to A does not unconditionally precede its access to B from the viewpoint of an external logic analyzer (see Appendix C for examples). However, if CPU 2's access to B sees the result of CPU 1's access to B, then CPU 2's access to A is guaranteed to see the result of CPU 1's access to A. Although some CPUs' memory barriers do in fact provide stronger, unconditional ordering guarantees, portable code may rely only on this weaker if-then conditional ordering guarantee.

CPU 1	CPU 2
<code>access(A);</code>	<code>access(B);</code>
<code>smp_mb();</code>	<code>smp_mb();</code>
<code>access(B);</code>	<code>access(A);</code>

**Quick Quiz 14.6:** But if the memory barriers do not unconditionally force ordering, how the heck can a device driver reliably execute sequences of loads and stores to MMIO registers? ■

Of course, accesses must be either loads or stores, and these do have different properties. Table 14.1 shows all possible combinations of loads and stores from a pair of CPUs. Of course, to enforce conditional ordering, there must be a memory barrier between each CPU's pair of operations.

#### 14.2.4.4 Pair-Wise Memory Barriers: Portable Combinations

The following pairings from Table 14.1, enumerate all the combinations of memory-barrier pairings that portable software may depend on.

**Pairing 1.** In this pairing, one CPU executes a pair of loads separated by a memory barrier, while a second CPU executes a pair of stores also separated by a memory barrier, as

CPU 1	CPU 2
<code>A=1;</code>	<code>Y=B;</code>
<code>smp_mb();</code>	<code>smp_mb();</code>
<code>B=1;</code>	<code>X=A;</code>

follows (both A and B are initially equal to zero):

	CPU 1		CPU 2		Description
0	load(A)	load(B)	load(B)	load(A)	Ears to ears.
1	load(A)	load(B)	load(B)	store(A)	Only one store.
2	load(A)	load(B)	store(B)	load(A)	Only one store.
3	load(A)	load(B)	store(B)	store(A)	Pairing 1.
4	load(A)	store(B)	load(B)	load(A)	Only one store.
5	load(A)	store(B)	load(B)	store(A)	Pairing 2.
6	load(A)	store(B)	store(B)	load(A)	Mouth to mouth, ear to ear.
7	load(A)	store(B)	store(B)	store(A)	Pairing 3.
8	store(A)	load(B)	load(B)	load(A)	Only one store.
9	store(A)	load(B)	load(B)	store(A)	Mouth to mouth, ear to ear.
A	store(A)	load(B)	store(B)	load(A)	Ears to mouths.
B	store(A)	load(B)	store(B)	store(A)	Stores “pass in the night”.
C	store(A)	store(B)	load(B)	load(A)	Pairing 1.
D	store(A)	store(B)	load(B)	store(A)	Pairing 3.
E	store(A)	store(B)	store(B)	load(A)	Stores “pass in the night”.
F	store(A)	store(B)	store(B)	store(A)	Stores “pass in the night”.

Table 14.1: Memory-Barrier Combinations

After both CPUs have completed executing these code sequences, if  $Y==1$ , then we must also have  $X==1$ . In this case, the fact that  $Y==1$  means that CPU 2’s load prior to its memory barrier has seen the store following CPU 1’s memory barrier. Due to the pairwise nature of memory barriers, CPU 2’s load following its memory barrier must therefore see the store that precedes CPU 1’s memory barrier, so that  $X==1$ .

On the other hand, if  $Y==0$ , the memory-barrier condition does not hold, and so in this case,  $X$  could be either 0 or 1.

**Pairing 2.** In this pairing, each CPU executes a load followed by a memory barrier fol-

	CPU 1	CPU 2
lowed by a store, as follows (both A and B are initially equal to zero):	X=A; smp_mb (); B=1;	Y=B; smp_mb (); A=1;

After both CPUs have completed executing these code sequences, if  $X==1$ , then we must also have  $Y==0$ . In this case, the fact that  $X==1$  means that CPU 1’s load prior to its memory barrier has seen the store following CPU 2’s memory barrier. Due to the pairwise nature of memory barriers, CPU 1’s store following its memory barrier must therefore see the results of CPU 2’s load preceding its memory barrier, so that  $Y==0$ .

On the other hand, if  $X==0$ , the memory-barrier condition does not hold, and so in this case,  $Y$  could be either 0 or 1.

The two CPUs’ code sequences are symmetric, so if  $Y==1$  after both CPUs have finished executing these code sequences, then we must have  $X==0$ .

**Pairing 3.** In this pairing, one CPU executes a load followed by a memory barrier followed by a store, while the other CPU executes a pair of stores separated by a memory

CPU 1	CPU 2
X=A;	B=2;
smp_mb ();	smp_mb ();
B=1;	A=1;

barrier, as follows (both A and B are initially equal to zero):

After both CPUs have completed executing these code sequences, if  $X==1$ , then we must also have  $B==1$ . In this case, the fact that  $X==1$  means that CPU 1's load prior to its memory barrier has seen the store following CPU 2's memory barrier. Due to the pairwise nature of memory barriers, CPU 1's store following its memory barrier must therefore see the results of CPU 2's store preceding its memory barrier. This means that CPU 1's store to B will overwrite CPU 2's store to B, resulting in  $B==1$ .

On the other hand, if  $X==0$ , the memory-barrier condition does not hold, and so in this case, B could be either 1 or 2.

#### 14.2.4.5 Pair-Wise Memory Barriers: Semi-Portable Combinations

The following pairings from Table 14.1 can be used on modern hardware, but might fail on some systems that were produced in the 1900s. However, these *can* safely be used on all mainstream hardware introduced since the year 2000. So if you think that memory barriers are difficult to deal with, please keep in mind that they used to be a *lot* harder on some systems!

**Ears to Mouths.** Since the stores cannot see the results of the loads (again, ignoring MMIO registers for the moment), it is not always possible to determine whether the memory-barrier condition has been met. However, 21<sup>st</sup>-century hardware *would* guarantee that at least one of the loads saw the value stored by the corresponding store (or some later value for that same variable).

**Quick Quiz 14.7:** How do we know that modern hardware guarantees that at least one of the loads will see the value stored by the other thread in the ears-to-mouths scenario? ■

**Stores “Pass in the Night”.** In the following example, after both CPUs have finished executing their code sequences, it is quite tempting to conclude that the result  $\{A==1, B==2\}$  cannot happen.

CPU 1	CPU 2
A=1;	B=2;
smp_mb ();	smp_mb ();
B=1;	A=2;

Unfortunately, although this conclusion is correct on 21<sup>st</sup>-century systems, it does not necessarily hold on all antique 20<sup>th</sup>-century systems. Suppose that the cache line containing A is initially owned by CPU 2, and that containing B is initially owned by CPU 1. Then, in systems that have invalidation queues and store buffers, it is possible for the first assignments to “pass in the night”, so that the second assignments actually happen first. This strange effect is explained in Appendix C.

This same effect can happen in any memory-barrier pairing where each CPU's memory barrier is preceded by a store, including the “ears to mouths” pairing.

However, 21<sup>st</sup>-century hardware *does* accommodate these ordering intuitions, and *do* permit this combination to be used safely.

#### 14.2.4.6 Pair-Wise Memory Barriers: Dubious Combinations

In the following combinations from Table 14.1, the memory barriers have very limited use in portable code, even on 21<sup>st</sup>-century hardware. However, “limited use” is different than “no use”, so let’s see what can be done! Avid readers will want to write toy programs that rely on each of these combinations in order to fully understand how this works.

**Ears to Ears.** Since loads do not change the state of memory (ignoring MMIO registers for the moment), it is not possible for one of the loads to see the results of the other load. However, if we know that CPU 2’s load from B returned a newer value than CPU 1’s load from B, then we also know that CPU 2’s load from A returned either the same value as CPU 1’s load from A or some later value.

**Mouth to Mouth, Ear to Ear.** One of the variables is only loaded from, and the other is only stored to. Because (once again, ignoring MMIO registers) it is not possible for one load to see the results of the other, it is not possible to detect the conditional ordering provided by the memory barrier.

However, it is possible to determine which store happened last, but this requires an additional load from B. If this additional load from B is executed after both CPUs 1 and 2 complete, and if it turns out that CPU 2’s store to B happened last, then we know that CPU 2’s load from A returned either the same value as CPU 1’s load from A or some later value.

**Only One Store.** Because there is only one store, only one of the variables permits one CPU to see the results of the other CPU’s access. Therefore, there is no way to detect the conditional ordering provided by the memory barriers.

At least not straightforwardly. But suppose that in combination 1 from Table 14.1, CPU 1’s load from A returns the value that CPU 2 stored to A. Then we know that CPU 1’s load from B returned either the same value as CPU 2’s load from A or some later value.

**Quick Quiz 14.8:** How can the other “Only one store” entries in Table 14.1 be used? ■

#### 14.2.4.7 Semantics Sufficient to Implement Locking

Suppose we have an exclusive lock (`spinlock_t` in the Linux kernel, `pthread_mutex_t` in pthreads code) that guards a number of variables (in other words, these variables are not accessed except from the lock’s critical sections). The following properties must then hold true:

1. A given CPU or thread must see all of its own loads and stores as if they had occurred in program order.
2. The lock acquisitions and releases must appear to have executed in a single global order.<sup>2</sup>

---

<sup>2</sup> Of course, this order might be different from one run to the next. On any given run, however, all CPUs and threads must have a consistent view of the order of critical sections for a given exclusive lock.

3. Suppose a given variable has not yet been stored in a critical section that is currently executing. Then any load from a given variable performed in that critical section must see the last store to that variable from the last previous critical section that stored to it.

The difference between the last two properties is a bit subtle: the second requires that the lock acquisitions and releases occur in a well-defined order, while the third requires that the critical sections not “bleed out” far enough to cause difficulties for other critical section.

Why are these properties necessary?

Suppose the first property did not hold. Then the assertion in the following code might well fail!

```
a = 1;
b = 1 + a;
assert(b == 2);
```

**Quick Quiz 14.9:** How could the assertion `b==2` on page 363 possibly fail? ■

Suppose that the second property did not hold. Then the following code might leak memory!

```
spin_lock(&mylock);
if (p == NULL)
    p = kmalloc(sizeof(*p), GFP_KERNEL);
spin_unlock(&mylock);
```

**Quick Quiz 14.10:** How could the code on page 363 possibly leak memory? ■

Suppose that the third property did not hold. Then the counter shown in the following code might well count backwards. This third property is crucial, as it cannot be strictly with pairwise memory barriers.

```
spin_lock(&mylock);
ctr = ctr + 1;
spin_unlock(&mylock);
```

**Quick Quiz 14.11:** How could the code on page 363 possibly count backwards? ■

If you are convinced that these rules are necessary, let’s look at how they interact with a typical locking implementation.

## 14.2.5 Review of Locking Implementations

Naive pseudocode for simple lock and unlock operations are shown below. Note that the `atomic_xchg()` primitive implies a memory barrier both before and after the atomic exchange operation, which eliminates the need for an explicit memory barrier in `spin_lock()`. Note also that, despite the names, `atomic_read()` and `atomic_set()` do *not* execute any atomic instructions, instead, it merely executes a simple load and store, respectively. This pseudocode follows a number of Linux implementations for the unlock operation, which is a simple non-atomic store following a memory barrier. These minimal implementations must possess all the locking properties laid out in Section 14.2.4.

```

1 void spin_lock(spinlock_t *lck)
2 {
3     while (atomic_xchg(&lck->a, 1) != 0)
4         while (atomic_read(&lck->a) != 0)
5             continue;
6 }
7
8 void spin_unlock(spinlock_t lck)
9 {
10     smp_mb();
11     atomic_set(&lck->a, 0);
12 }

```

The `spin_lock()` primitive cannot proceed until the preceding `spin_unlock()` primitive completes. If CPU 1 is releasing a lock that CPU 2 is attempting to acquire, the sequence of operations might be as follows:

CPU 1	CPU 2
(critical section)	<code>atomic_xchg(&amp;lck-&gt;a, 1)-&gt;1</code>
<code>smp_mb();</code>	<code>lck-&gt;a-&gt;1</code>
<code>lck-&gt;a=0;</code>	<code>lck-&gt;a-&gt;1</code>
	<code>lck-&gt;a-&gt;0</code>
	(implicit <code>smp_mb()</code> 1)
	<code>atomic_xchg(&amp;lck-&gt;a, 1)-&gt;0</code>
	(implicit <code>smp_mb()</code> 2)
	(critical section)

In this particular case, pairwise memory barriers suffice to keep the two critical sections in place. CPU 2's `atomic_xchg(&lck->a, 1)` has seen CPU 1's `lck->a=0`, so therefore everything in CPU 2's following critical section must see everything that CPU 1's preceding critical section did. Conversely, CPU 1's critical section cannot see anything that CPU 2's critical section will do.

## 14.2.6 A Few Simple Rules

Probably the easiest way to understand memory barriers is to understand a few simple rules:

1. Each CPU sees its own accesses in order.
2. If a single shared variable is loaded and stored by multiple CPUs, then the series of values seen by a given CPU will be consistent with the series seen by the other CPUs, and there will be at least one sequence consisting of all values stored to that variable with which each CPU's series will be consistent.<sup>3</sup>
3. If one CPU does ordered stores to variables A and B,<sup>4</sup> and if a second CPU does ordered loads from B and A,<sup>5</sup> then if the second CPU's load from B gives the value stored by the first CPU, then the second CPU's load from A must give the value stored by the first CPU.
4. If one CPU does a load from A ordered before a store to B, and if a second CPU does a load from B ordered before a store from A, and if the second CPU's load from B gives the value stored by the first CPU, then the first CPU's load from A must *not* give the value stored by the second CPU.

<sup>3</sup> A given CPU's series may of course be incomplete, for example, if a given CPU never loaded or stored the shared variable, then it can have no opinion about that variable's value.

<sup>4</sup> For example, by executing the store to A, a memory barrier, and then the store to B.

<sup>5</sup> For example, by executing the load from B, a memory barrier, and then the load from A.



5. If one CPU does a load from A ordered before a store to B, and if a second CPU does a store to B ordered before a store to A, and if the first CPU's load from A gives the value stored by the second CPU, then the first CPU's store to B must happen after the second CPU's store to B, hence the value stored by the first CPU persists.<sup>6</sup>

The next section takes a more operational view of these rules.

### 14.2.7 Abstract Memory Access Model

Consider the abstract model of the system shown in Figure 14.6.

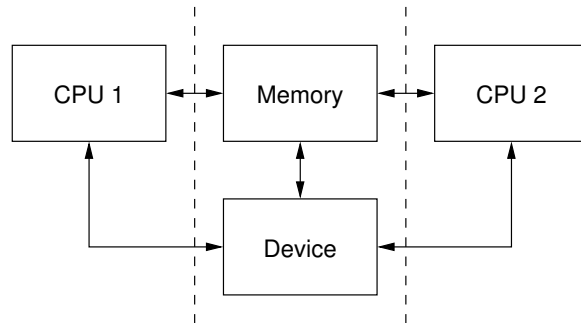


Figure 14.6: Abstract Memory Access Model

Each CPU executes a program that generates memory access operations. In the abstract CPU, memory operation ordering is very relaxed, and a CPU may actually perform the memory operations in any order it likes, provided program causality appears to be maintained. Similarly, the compiler may also arrange the instructions it emits in any order it likes, provided it doesn't affect the apparent operation of the program.

So in the above diagram, the effects of the memory operations performed by a CPU are perceived by the rest of the system as the operations cross the interface between the CPU and rest of the system (the dotted lines).

For example, consider the following sequence of events given the initial values {A = 1, B = 2}:

CPU 1	CPU 2
A = 3;	x = A;
B = 4;	y = B;

The set of accesses as seen by the memory system in the middle can be arranged in 24 different combinations, with loads denoted by "ld" and stores denoted by "st":

```

st A=3,    st B=4,    x=ld A→3,   y=ld B→4
st A=3,    st B=4,    y=ld B→4,   x=ld A→3
st A=3,    x=ld A→3,   st B=4,     y=ld B→4
st A=3,    x=ld A→3,   y=ld B→2,   st B=4
st A=3,    y=ld B→2,   st B=4,     x=ld A→3
st A=3,    y=ld B→2,   x=ld A→3,   st B=4
st B=4,    st A=3,    x=ld A→3,   y=ld B→4
st B=4,    ...
...

```

<sup>6</sup> Or, for the more competitively oriented, the first CPU's store to B "wins".

and can thus result in four different combinations of values:

```
x == 1,  y == 2
x == 1,  y == 4
x == 3,  y == 2
x == 3,  y == 4
```

Furthermore, the stores committed by a CPU to the memory system may not be perceived by the loads made by another CPU in the same order as the stores were committed.

As a further example, consider this sequence of events given the initial values {A = 1, B = 2, C = 3, P = &A, Q = &C}:

CPU 1	CPU 2
B = 4;	Q = P;
P = &B	D = *Q;

There is an obvious data dependency here, as the value loaded into D depends on the address retrieved from P by CPU 2. At the end of the sequence, any of the following results are possible:

```
(Q == &A) and (D == 1)
(Q == &B) and (D == 2)
(Q == &B) and (D == 4)
```

Note that CPU 2 will never try and load C into D because the CPU will load P into Q before issuing the load of \*Q.

## 14.2.8 Device Operations

Some devices present their control interfaces as collections of memory locations, but the order in which the control registers are accessed is very important. For instance, imagine an Ethernet card with a set of internal registers that are accessed through an address port register (A) and a data port register (D). To read internal register 5, the following code might then be used:

```
*A = 5;
x = *D;
```

but this might show up as either of the following two sequences:

```
STORE *A = 5, x = LOAD *D
x = LOAD *D, STORE *A = 5
```

the second of which will almost certainly result in a malfunction, since it set the address *after* attempting to read the register.

## 14.2.9 Guarantees

There are some minimal guarantees that may be expected of a CPU:

1. On any given CPU, dependent memory accesses will be issued in order, with respect to itself. This means that for:

```
Q = P; D = *Q;
```

the CPU will issue the following memory operations:

Q = LOAD P, D = LOAD \*Q

and always in that order.

2. Overlapping loads and stores within a particular CPU will appear to be ordered within that CPU. This means that for:

a = \*X; \*X = b;

the CPU will only issue the following sequence of memory operations:

a = LOAD \*X, STORE \*X = b

And for:

\*X = c; d = \*X;

the CPU will only issue:

STORE \*X = c, d = LOAD \*X

(Loads and stores overlap if they are targetted at overlapping pieces of memory).

3. A series of stores to a single variable will appear to all CPUs to have occurred in a single order, though this order might not be predictable from the code, and in fact the order might vary from one run to another.

And there are a number of things that *must* or *must not* be assumed:

1. It *must not* be assumed that independent loads and stores will be issued in the order given. This means that for:

X = \*A; Y = \*B; \*D = Z;

we may get any of the following sequences:

```
X = LOAD *A,   Y = LOAD *B,   STORE *D = Z
X = LOAD *A,   STORE *D = Z,   Y = LOAD *B
Y = LOAD *B,   X = LOAD *A,   STORE *D = Z
Y = LOAD *B,   STORE *D = Z,   X = LOAD *A
STORE *D = Z,   X = LOAD *A,   Y = LOAD *B
STORE *D = Z,   Y = LOAD *B,   X = LOAD *A
```

2. It *must* be assumed that overlapping memory accesses may be merged or discarded. This means that for:

X = \*A; Y = \*(A + 4);

we may get any one of the following sequences:

```
X = LOAD *A; Y = LOAD *(A + 4);
Y = LOAD *(A + 4); X = LOAD *A;
{X, Y} = LOAD { *A, *(A + 4) };
```

And for:

```
*A = X; Y = *A;
```

we may get any of:

```
STORE *A = X; STORE *(A + 4) = Y;
STORE *(A + 4) = Y; STORE *A = X;
STORE { *A, *(A + 4) } = {X, Y};
```

Finally, for:

```
*A = X; *A = Y;
```

we may get either of:

```
STORE *A = X; STORE *A = Y;
STORE *A = Y;
```

## 14.2.10 What Are Memory Barriers?

As can be seen above, independent memory operations are effectively performed in random order, but this can be a problem for CPU-CPU interaction and for I/O. What is required is some way of intervening to instruct the compiler and the CPU to restrict the order.

Memory barriers are such interventions. They impose a perceived partial ordering over the memory operations on either side of the barrier.

Such enforcement is important because the CPUs and other devices in a system can use a variety of tricks to improve performance - including reordering, deferral and combination of memory operations; speculative loads; speculative branch prediction and various types of caching. Memory barriers are used to override or suppress these tricks, allowing the code to sanely control the interaction of multiple CPUs and/or devices.

### 14.2.10.1 Explicit Memory Barriers

Memory barriers come in four basic varieties:

1. Write (or store) memory barriers,
2. Data dependency barriers,
3. Read (or load) memory barriers, and
4. General memory barriers.

Each variety is described below.

**Write Memory Barriers** A write memory barrier gives a guarantee that all the STORE operations specified before the barrier will appear to happen before all the STORE operations specified after the barrier with respect to the other components of the system.

A write barrier is a partial ordering on stores only; it is not required to have any effect on loads.

A CPU can be viewed as committing a sequence of store operations to the memory system as time progresses. All stores before a write barrier will occur in the sequence *before* all the stores after the write barrier.

† Note that write barriers should normally be paired with read or data dependency barriers; see the “SMP barrier pairing” subsection.

**Data Dependency Barriers** A data dependency barrier is a weaker form of read barrier. In the case where two loads are performed such that the second depends on the result of the first (e.g., the first load retrieves the address to which the second load will be directed), a data dependency barrier would be required to make sure that the target of the second load is updated before the address obtained by the first load is accessed.

A data dependency barrier is a partial ordering on interdependent loads only; it is not required to have any effect on stores, independent loads or overlapping loads.

As mentioned for write memory barriers, the other CPUs in the system can be viewed as committing sequences of stores to the memory system that the CPU being considered can then perceive. A data dependency barrier issued by the CPU under consideration guarantees that for any load preceding it, if that load touches one of a sequence of stores from another CPU, then by the time the barrier completes, the effects of all the stores prior to that touched by the load will be perceptible to any loads issued after the data dependency barrier.

See the “Examples of memory barrier sequences” subsection for diagrams showing the ordering constraints.

† Note that the first load really has to have a *data* dependency and not a control dependency. If the address for the second load is dependent on the first load, but the dependency is through a conditional rather than actually loading the address itself, then it’s a *control* dependency and a full read barrier or better is required. See the “Control dependencies” subsection for more information.

† Note that data dependency barriers should normally be paired with write barriers; see the “SMP barrier pairing” subsection.

**Read Memory Barriers** A read barrier is a data dependency barrier plus a guarantee that all the LOAD operations specified before the barrier will appear to happen before all the LOAD operations specified after the barrier with respect to the other components of the system.

A read barrier is a partial ordering on loads only; it is not required to have any effect on stores.

Read memory barriers imply data dependency barriers, and so can substitute for them.

† Note that read barriers should normally be paired with write barriers; see the “SMP barrier pairing” subsection.

**General Memory Barriers** A general memory barrier gives a guarantee that all the LOAD and STORE operations specified before the barrier will appear to happen before

all the LOAD and STORE operations specified after the barrier with respect to the other components of the system.

A general memory barrier is a partial ordering over both loads and stores.

General memory barriers imply both read and write memory barriers, and so can substitute for either.

#### 14.2.10.2 Implicit Memory Barriers

There are a couple of types of implicit memory barriers, so called because they are embedded into locking primitives:

1. LOCK operations and
2. UNLOCK operations.

**LOCK Operations** A lock operation acts as a one-way permeable barrier. It guarantees that all memory operations after the LOCK operation will appear to happen after the LOCK operation with respect to the other components of the system.

Memory operations that occur before a LOCK operation may appear to happen after it completes.

A LOCK operation should almost always be paired with an UNLOCK operation.

**UNLOCK Operations** Unlock operations also act as a one-way permeable barrier. It guarantees that all memory operations before the UNLOCK operation will appear to happen before the UNLOCK operation with respect to the other components of the system.

Memory operations that occur after an UNLOCK operation may appear to happen before it completes.

LOCK and UNLOCK operations are guaranteed to appear with respect to each other strictly in the order specified.

The use of LOCK and UNLOCK operations generally precludes the need for other sorts of memory barrier (but note the exceptions mentioned in the subsection “MMIO write barrier”).

**Quick Quiz 14.12:** What effect does the following sequence have on the order of stores to variables “a” and “b”?

```
a = 1;  
b = 1;  
<write barrier> ■
```

#### 14.2.10.3 What May Not Be Assumed About Memory Barriers?

There are certain things that memory barriers cannot guarantee outside of the confines of a given architecture:

1. There is no guarantee that any of the memory accesses specified before a memory barrier will be *complete* by the completion of a memory barrier instruction; the barrier can be considered to draw a line in that CPU’s access queue that accesses of the appropriate type may not cross.

2. There is no guarantee that issuing a memory barrier on one CPU will have any direct effect on another CPU or any other hardware in the system. The indirect effect will be the order in which the second CPU sees the effects of the first CPU's accesses occur, but see the next point.
3. There is no guarantee that a CPU will see the correct order of effects from a second CPU's accesses, even *if* the second CPU uses a memory barrier, unless the first CPU *also* uses a matching memory barrier (see the subsection on "SMP Barrier Pairing").
4. There is no guarantee that some intervening piece of off-the-CPU hardware<sup>7</sup> will not reorder the memory accesses. CPU cache coherency mechanisms should propagate the indirect effects of a memory barrier between CPUs, but might not do so in order.

#### 14.2.10.4 Data Dependency Barriers

The usage requirements of data dependency barriers are a little subtle, and it's not always obvious that they're needed. To illustrate, consider the following sequence of events, with initial values {A = 1, B = 2, C = 3, P = &A, Q = &C}:

<pre>CPU 1 B = 4; &lt;write barrier&gt; P = &amp;B;</pre>	<pre>CPU 2 Q = P; D = *Q;</pre>
-----------------------------------------------------------	---------------------------------

There's a clear data dependency here, and it would seem intuitively obvious that by the end of the sequence, Q must be either &A or &B, and that:

```
(Q == &A) implies (D == 1)
(Q == &B) implies (D == 4)
```

Counter-intuitive though it might be, it is quite possible that CPU 2's perception of P might be updated *before* its perception of B, thus leading to the following situation:

```
(Q == &B) and (D == 2) ????
```

Whilst this may seem like a failure of coherency or causality maintenance, it isn't, and this behaviour can be observed on certain real CPUs (such as the DEC Alpha).

To deal with this, a data dependency barrier must be inserted between the address load and the data load (again with initial values of {A = 1, B = 2, C = 3, P = &A, Q = &C}):

<pre>CPU 1 B = 4; &lt;write barrier&gt; P = &amp;B;</pre>	<pre>CPU 2 Q = P; &lt;data dependency barrier&gt; D = *Q;</pre>
-----------------------------------------------------------	-----------------------------------------------------------------

This enforces the occurrence of one of the two implications, and prevents the third possibility from arising.

<sup>7</sup> This is of concern primarily in operating-system kernels. For more information on hardware operations and memory ordering, see the files `pci.txt`, `DMA-API-HOWTO.txt`, and `DMA-API.txt` in the `Documentation` directory in the Linux source tree [Tor03c].

Note that this extremely counterintuitive situation arises most easily on machines with split caches, so that, for example, one cache bank processes even-numbered cache lines and the other bank processes odd-numbered cache lines. The pointer `P` might be stored in an odd-numbered cache line, and the variable `B` might be stored in an even-numbered cache line. Then, if the even-numbered bank of the reading CPU's cache is extremely busy while the odd-numbered bank is idle, one can see the new value of the pointer `P` (which is `&B`), but the old value of the variable `B` (which is 1).

Another example of where data dependency barriers might be required is where a number is read from memory and then used to calculate the index for an array access with initial values  $\{M[0] = 1, M[1] = 2, M[3] = 3, P = 0, Q = 3\}$ :

CPU 1	CPU 2
<code>M[1] = 4;</code>	
<code>&lt;write barrier&gt;</code>	
<code>P = 1;</code>	
	<code>Q = P;</code>
	<code>&lt;data dependency barrier&gt;</code>
	<code>D = M[Q];</code>

The data dependency barrier is very important to the Linux kernel's RCU system, for example, see `rcu_dereference()` in `include/linux/rcupdate.h`. This permits the current target of an RCU'd pointer to be replaced with a new modified target, without the replacement target appearing to be incompletely initialised.

See also Section 14.2.13.1 for a larger example.

### 14.2.10.5 Control Dependencies

A control dependency requires a full read memory barrier, not simply a data dependency barrier to make it work correctly. Consider the following bit of code:

```
1 q = &a;
2 if (p)
3   q = &b;
4 <data dependency barrier>
5 x = *q;
```

This will not have the desired effect because there is no actual data dependency, but rather a control dependency that the CPU may short-circuit by attempting to predict the outcome in advance. In such a case what's actually required is:

```
1 q = &a;
2 if (p)
3   q = &b;
4 <read barrier>
5 x = *q;
```

### 14.2.10.6 SMP Barrier Pairing

When dealing with CPU-CPU interactions, certain types of memory barrier should always be paired. A lack of appropriate pairing is almost certainly an error.

A write barrier should always be paired with a data dependency barrier or read barrier, though a general barrier would also be viable. Similarly a read barrier or a data dependency barrier should always be paired with at least an write barrier, though, again, a general barrier is viable:



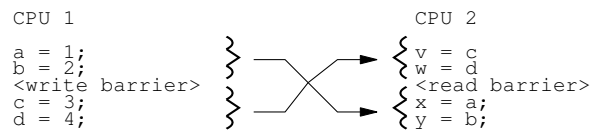
CPU 1	CPU 2
A = 1; <write barrier> B = 2;	X = B; <read barrier> Y = A;

Or:

CPU 1	CPU 2
A = 1; <write barrier> B = &A;	X = B; <data dependency barrier> Y = *X;

One way or another, the read barrier must always be present, even though it might be of a weaker type.<sup>8</sup>

Note that the stores before the write barrier would normally be expected to match the loads after the read barrier or data dependency barrier, and vice versa:



### 14.2.10.7 Examples of Memory Barrier Pairings

Firstly, write barriers act as a partial orderings on store operations. Consider the following sequence of events:

```

STORE A = 1
STORE B = 2
STORE C = 3
<write barrier>
STORE D = 4
STORE E = 5

```

This sequence of events is committed to the memory coherence system in an order that the rest of the system might perceive as the unordered set of {A=1, B=2, C=3} all occurring before the unordered set of {D=4, E=5}, as shown in Figure 14.7.

Secondly, data dependency barriers act as a partial orderings on data-dependent loads. Consider the following sequence of events with initial values {B = 7, X = 9, Y = 8, C = &Y}:

CPU 1	CPU 2
A = 1; B = 2; <write barrier> C = &B; D = 4;	LOAD X LOAD C (gets &B) LOAD *C (reads B)

Without intervention, CPU 2 may perceive the events on CPU 1 in some effectively random order, despite the write barrier issued by CPU 1, as shown in Figure 14.8.

In the above example, CPU 2 perceives that B is 7, despite the load of \*C (which would be B) coming after the LOAD of C.

<sup>8</sup> By “weaker”, we mean “makes fewer ordering guarantees”. A weaker barrier is usually also lower-overhead than is a stronger barrier.

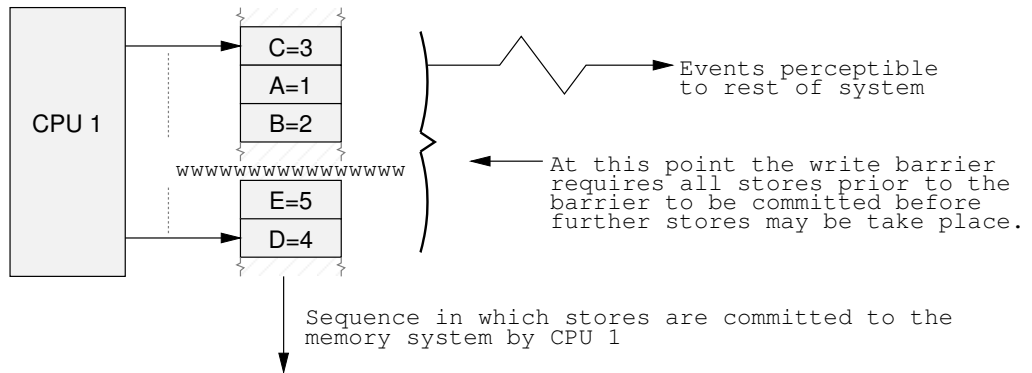


Figure 14.7: Write Barrier Ordering Semantics

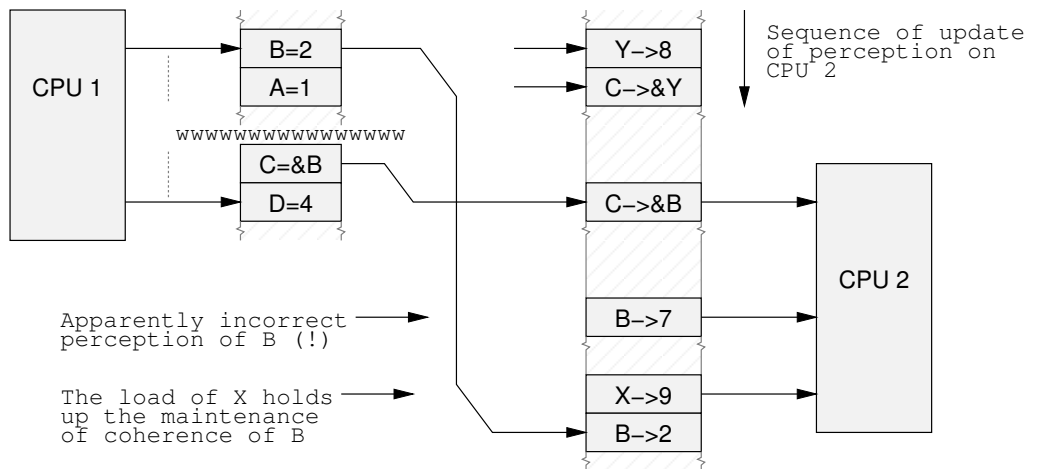


Figure 14.8: Data Dependency Barrier Omitted

If, however, a data dependency barrier were to be placed between the load of C and the load of \*C (i.e.: B) on CPU 2, again with initial values of {B = 7, X = 9, Y = 8, C = &Y}:

CPU 1	CPU 2
A = 1;	
B = 2;	
<write barrier>	
C = &B;	LOAD X
D = 4;	LOAD C (gets &B)
	<data dependency barrier>
	LOAD *C (reads B)

then ordering will be as intuitively expected, as shown in Figure 14.9.

And thirdly, a read barrier acts as a partial order on loads. Consider the following sequence of events, with initial values {A = 0, B = 9}:

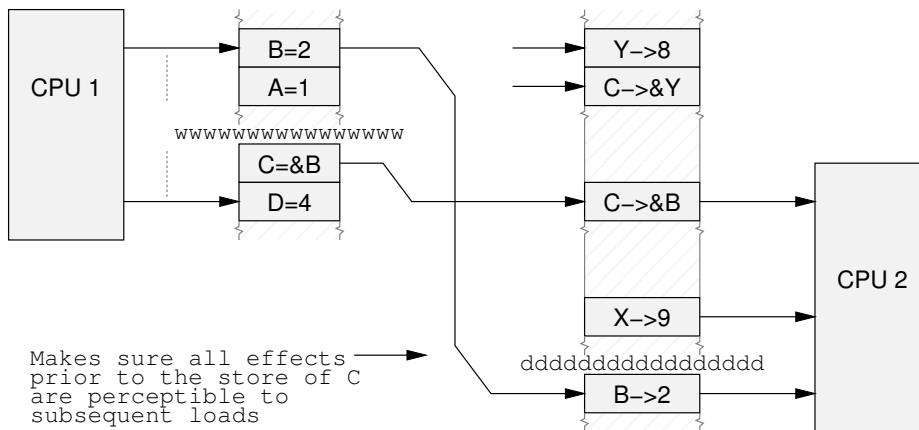


Figure 14.9: Data Dependency Barrier Supplied

CPU 1	CPU 2
A = 1;	
<write barrier>	
B = 2;	
	LOAD B
	LOAD A

Without intervention, CPU 2 may then choose to perceive the events on CPU 1 in some effectively random order, despite the write barrier issued by CPU 1, as shown in Figure 14.10.

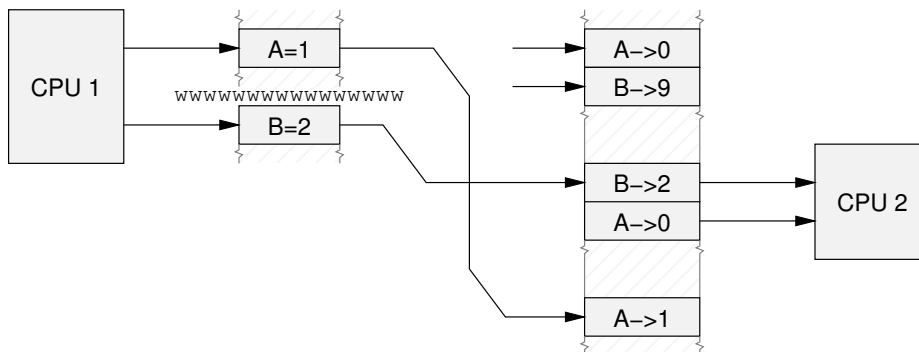


Figure 14.10: Read Barrier Needed

If, however, a read barrier were to be placed between the load of B and the load of A on CPU 2, again with initial values of {A = 0, B = 9}:

CPU 1	CPU 2
A = 1;	
<write barrier>	
B = 2;	
	LOAD B
	<read barrier>
	LOAD A

then the partial ordering imposed by CPU 1's write barrier will be perceived correctly by CPU 2, as shown in Figure 14.11.

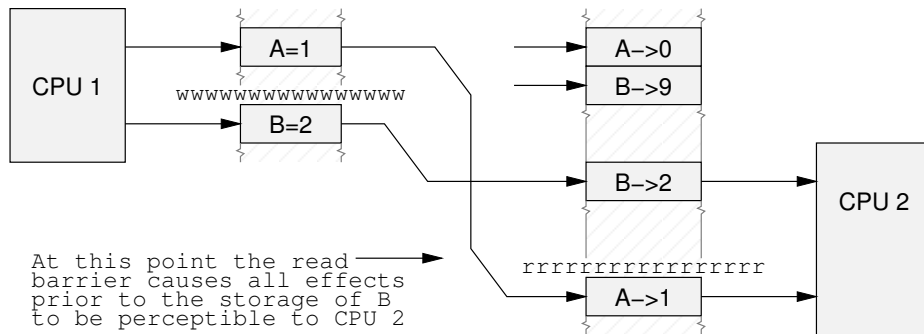


Figure 14.11: Read Barrier Supplied

To illustrate this more completely, consider what could happen if the code contained a load of A either side of the read barrier, once again with the same initial values of {A = 0, B = 9}:

CPU 1	CPU 2
A = 1;	
<write barrier>	
B = 2;	
	LOAD B
	LOAD A (1 <sup>st</sup> )
	<read barrier>
	LOAD A (2 <sup>nd</sup> )

Even though the two loads of A both occur after the load of B, they may both come up with different values, as shown in Figure 14.12.

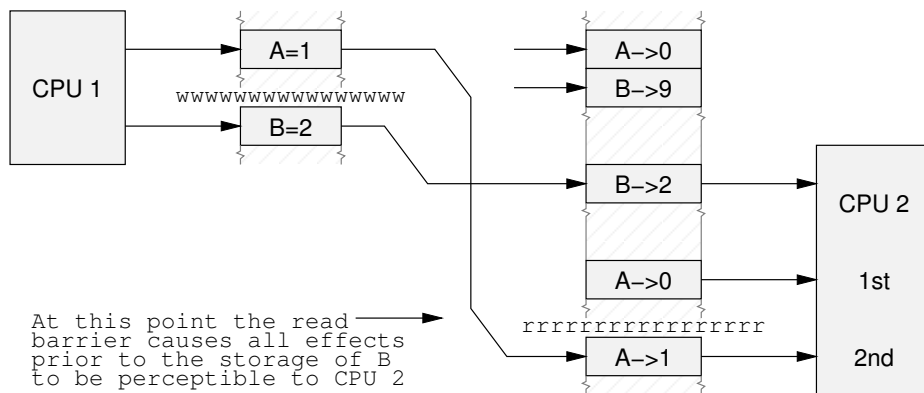


Figure 14.12: Read Barrier Supplied, Double Load

Of course, it may well be that CPU 1's update to A becomes perceptible to CPU 2 before the read barrier completes, as shown in Figure 14.13.

The guarantee is that the second load will always come up with A == 1 if the load of B came up with B == 2. No such guarantee exists for the first load of A; that may

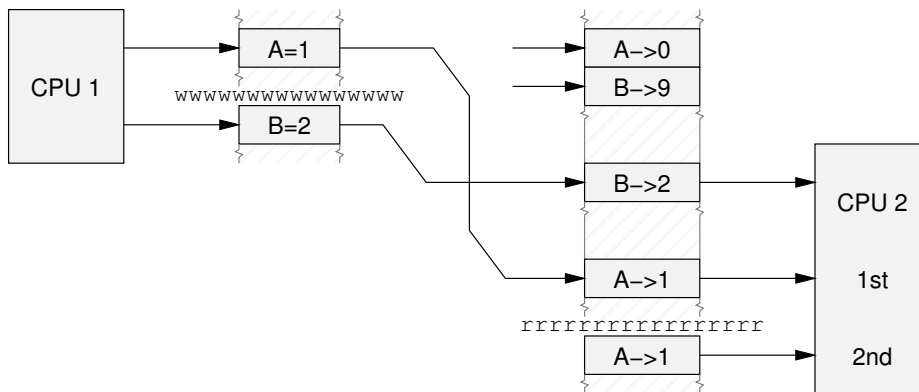


Figure 14.13: Read Barrier Supplied, Take Two

come up with either  $A == 0$  or  $A == 1$ .

#### 14.2.10.8 Read Memory Barriers vs. Load Speculation

Many CPUs speculate with loads: that is, they see that they will need to load an item from memory, and they find a time where they're not using the bus for any other loads, and then do the load in advance — even though they haven't actually got to that point in the instruction execution flow yet. Later on, this potentially permits the actual load instruction to complete immediately because the CPU already has the value on hand.

It may turn out that the CPU didn't actually need the value (perhaps because a branch circumvented the load) in which case it can discard the value or just cache it for later use. For example, consider the following:

CPU 1	CPU 2
	LOAD B
	DIVIDE
	DIVIDE
	LOAD A

On some CPUs, divide instructions can take a long time to complete, which means that CPU 2's bus might go idle during that time. CPU 2 might therefore speculatively load A before the divides complete. In the (hopefully) unlikely event of an exception from one of the divides, this speculative load will have been wasted, but in the (again, hopefully) common case, overlapping the load with the divides will permit the load to complete more quickly, as illustrated by Figure 14.14.

Placing a read barrier or a data dependency barrier just before the second load:

CPU 1	CPU 2
	LOAD B
	DIVIDE
	DIVIDE
	<read barrier>
	LOAD A

will force any value speculatively obtained to be reconsidered to an extent dependent on the type of barrier used. If there was no change made to the speculated memory location, then the speculated value will just be used, as shown in Figure 14.15. On the other hand, if there was an update or invalidation to A from some other CPU, then

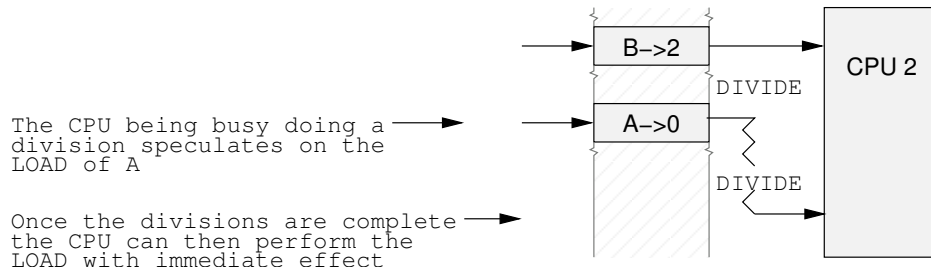


Figure 14.14: Speculative Load

the speculation will be cancelled and the value of A will be reloaded, as shown in Figure 14.16.

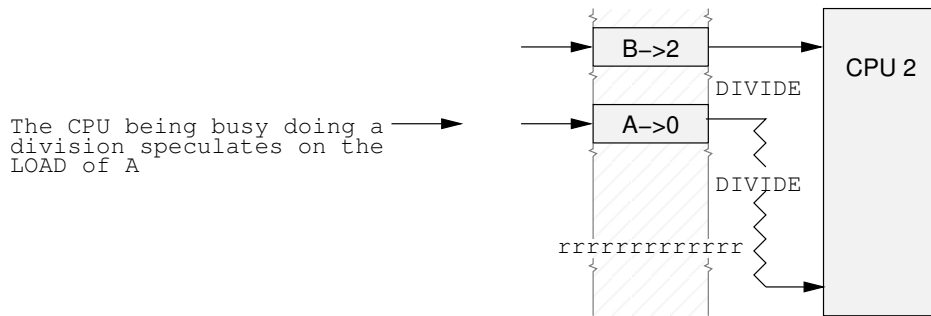


Figure 14.15: Speculative Load and Barrier

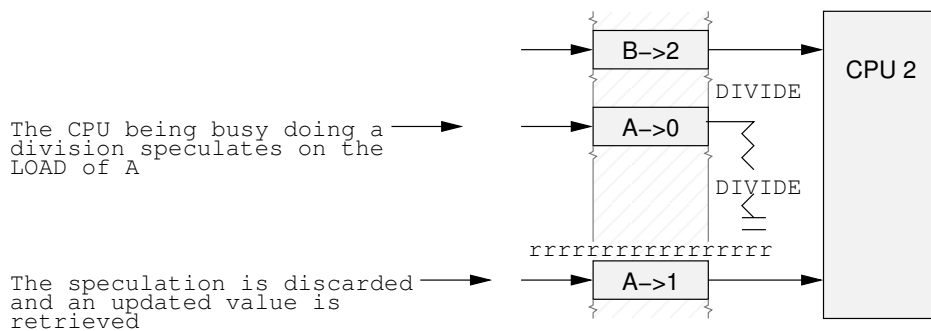


Figure 14.16: Speculative Load Cancelled by Barrier

### 14.2.11 Locking Constraints

As noted earlier, locking primitives contain implicit memory barriers. These implicit memory barriers provide the following guarantees:

1. LOCK operation guarantee:
  - Memory operations issued after the LOCK will be completed after the LOCK operation has completed.
  - Memory operations issued before the LOCK may be completed after the LOCK operation has completed.
2. UNLOCK operation guarantee:
  - Memory operations issued before the UNLOCK will be completed before the UNLOCK operation has completed.
  - Memory operations issued after the UNLOCK may be completed before the UNLOCK operation has completed.
3. LOCK vs LOCK guarantee:
  - All LOCK operations issued before another LOCK operation will be completed before that LOCK operation.
4. LOCK vs UNLOCK guarantee:
  - All LOCK operations issued before an UNLOCK operation will be completed before the UNLOCK operation.
  - All UNLOCK operations issued before a LOCK operation will be completed before the LOCK operation.
5. Failed conditional LOCK guarantee:
  - Certain variants of the LOCK operation may fail, either due to being unable to get the lock immediately, or due to receiving an unblocked signal or exception whilst asleep waiting for the lock to become available. Failed locks do not imply any sort of barrier.

## 14.2.12 Memory-Barrier Examples

### 14.2.12.1 Locking Examples

**LOCK Followed by UNLOCK:** A LOCK followed by an UNLOCK may not be assumed to be a full memory barrier because it is possible for an access preceding the LOCK to happen after the LOCK, and an access following the UNLOCK to happen before the UNLOCK, and the two accesses can themselves then cross. For example, the following:

```

1 *A = a;
2 LOCK
3 UNLOCK
4 *B = b;
```

might well execute in the following order:

```

2 LOCK
4 *B = b;
1 *A = a;
3 UNLOCK
```

Again, always remember that both LOCK and UNLOCK are permitted to let preceding operations “bleed in” to the critical section.

**Quick Quiz 14.13:** What sequence of LOCK-UNLOCK operations *would* act as a full memory barrier? ■

**Quick Quiz 14.14:** What (if any) CPUs have memory-barrier instructions from which these semi-permeable locking primitives might be constructed? ■

**LOCK-Based Critical Sections:** Although a LOCK-UNLOCK pair does not act as a full memory barrier, these operations *do* affect memory ordering.

Consider the following code:

```
1 *A = a;
2 *B = b;
3 LOCK
4 *C = c;
5 *D = d;
6 UNLOCK
7 *E = e;
8 *F = f;
```

This could legitimately execute in the following order, where pairs of operations on the same line indicate that the CPU executed those operations concurrently:

```
3 LOCK
1 *A = a; *F = f;
7 *E = e;
4 *C = c; *D = d;
2 *B = b;
6 UNLOCK
```

#	Ordering: legitimate or not?
1	*A; *B; LOCK; *C; *D; UNLOCK; *E; *F;
2	*A; { *B; LOCK; } *C; *D; UNLOCK; *E; *F;
3	{ *F; *A; } *B; LOCK; *C; *D; UNLOCK; *E;
4	*A; *B; { LOCK; *C; } *D; { UNLOCK; *E; } *F;
5	*B; LOCK; *C; *D; *A; UNLOCK; *E; *F;
6	*A; *B; *C; LOCK; *D; UNLOCK; *E; *F;
7	*A; *B; LOCK; *C; UNLOCK; *D; *E; *F;
8	{ *B; *A; LOCK; } { *D; *C; } { UNLOCK; *F; *E; }
9	*B; LOCK; *C; *D; UNLOCK; { *F; *A; } *E;

Table 14.2: Lock-Based Critical Sections

**Quick Quiz 14.15:** Given that operations grouped in curly braces are executed concurrently, which of the rows of Table 14.2 are legitimate reorderings of the assignments to variables “A” through “F” and the LOCK/UNLOCK operations? (The order in the code is A, B, LOCK, C, D, UNLOCK, E, F.) Why or why not? ■

**Ordering with Multiple Locks:** Code containing multiple locks still sees ordering constraints from those locks, but one must be careful to keep track of which lock is which. For example, consider the code shown in Table 14.3, which uses a pair of locks named “M” and “Q”.

In this example, there are no guarantees as to what order the assignments to variables “A” through “H” will appear in, other than the constraints imposed by the locks themselves, as described in the previous section.

**Quick Quiz 14.16:** What are the constraints for Table 14.3? ■



CPU 1	CPU 2
A = a;	E = e;
LOCK M;	LOCK Q;
B = b;	F = f;
C = c;	G = g;
UNLOCK M;	UNLOCK Q;
D = d;	H = h;

Table 14.3: Ordering With Multiple Locks

**Ordering with Multiple CPUs on One Lock:** Suppose, instead of the two different locks as shown in Table 14.3, both CPUs acquire the same lock, as shown in Table 14.4?

CPU 1	CPU 2
A = a;	E = e;
LOCK M;	LOCK M;
B = b;	F = f;
C = c;	G = g;
UNLOCK M;	UNLOCK M;
D = d;	H = h;

Table 14.4: Ordering With Multiple CPUs on One Lock

In this case, either CPU 1 acquires M before CPU 2 does, or vice versa. In the first case, the assignments to A, B, and C must precede those to F, G, and H. On the other hand, if CPU 2 acquires the lock first, then the assignments to E, F, and G must precede those to B, C, and D.

### 14.2.13 The Effects of the CPU Cache

The perceived ordering of memory operations is affected by the caches that lie between the CPUs and memory, as well as by the cache coherence protocol that maintains memory consistency and ordering. From a software viewpoint, these caches are for all intents and purposes part of memory. Memory barriers can be thought of as acting on the vertical dotted line in Figure 14.17, ensuring that the CPU presents its values to memory in the proper order, as well as ensuring that it sees changes made by other CPUs in the proper order.

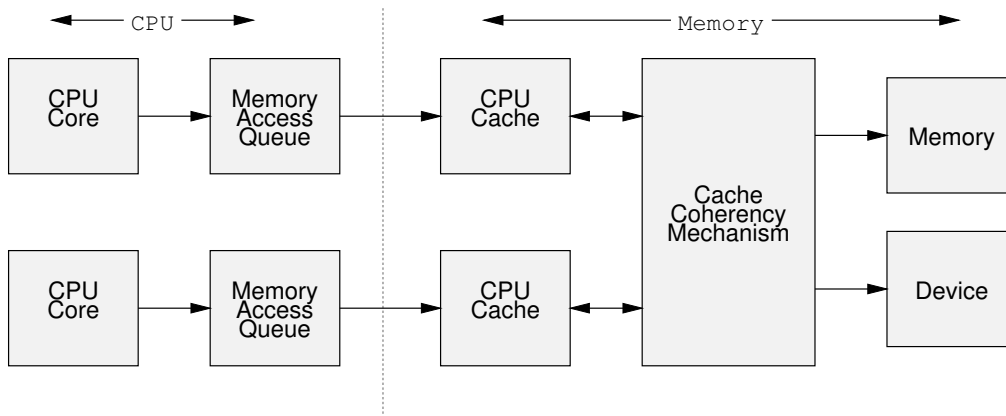


Figure 14.17: Memory Architecture

Although the caches can “hide” a given CPU’s memory accesses from the rest of the system, the cache-coherence protocol ensures that all other CPUs see any effects of these hidden accesses, migrating and invalidating cachelines as required. Furthermore, the CPU core may execute instructions in any order, restricted only by the requirement that program causality and memory ordering appear to be maintained. Some of these instructions may generate memory accesses that must be queued in the CPU’s memory access queue, but execution may nonetheless continue until the CPU either fills up its internal resources or until it must wait for some queued memory access to complete.

#### 14.2.13.1 Cache Coherency

Although cache-coherence protocols guarantee that a given CPU sees its own accesses in order, and that all CPUs agree on the order of modifications to a single variable contained within a single cache line, there is no guarantee that modifications to different variables will be seen in the same order by all CPUs — although some computer systems do make some such guarantees, portable software cannot rely on them.

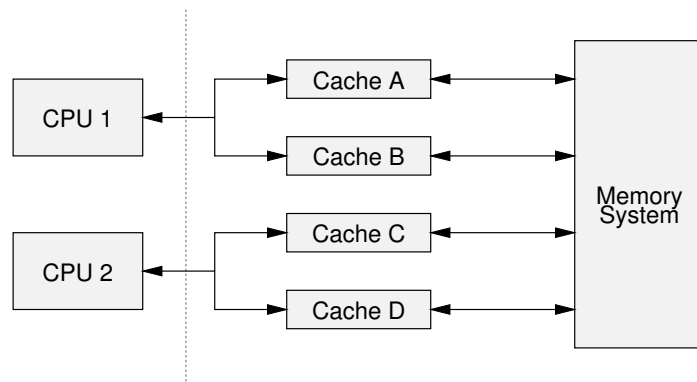


Figure 14.18: Split Caches

To see why reordering can occur, consider the two-CPU system shown in Figure 14.18, in which each CPU has a split cache. This system has the following properties:

1. An odd-numbered cache line may be in cache A, cache C, in memory, or some combination of the above.
2. An even-numbered cache line may be in cache B, cache D, in memory, or some combination of the above.
3. While the CPU core is interrogating one of its caches,<sup>9</sup> its other cache is not necessarily quiescent. This other cache may instead be responding to an invalidation request, writing back a dirty cache line, processing elements in the CPU’s memory-access queue, and so on.
4. Each cache has queues of operations that need to be applied to that cache in order to maintain the required coherence and ordering properties.

<sup>9</sup> But note that in “superscalar” systems, the CPU might well be accessing both halves of its cache at once, and might in fact be performing multiple concurrent accesses to each of the halves.

5. These queues are not necessarily flushed by loads from or stores to cache lines affected by entries in those queues.

In short, if cache A is busy, but cache B is idle, then CPU 1's stores to odd-numbered cache lines may be delayed compared to CPU 2's stores to even-numbered cache lines. In not-so-extreme cases, CPU 2 may see CPU 1's operations out of order.

Much more detail on memory ordering in hardware and software may be found in Appendix C.

#### 14.2.14 Where Are Memory Barriers Needed?

Memory barriers are only required where there's a possibility of interaction between two CPUs or between a CPU and a device. If it can be guaranteed that there won't be any such interaction in any particular piece of code, then memory barriers are unnecessary in that piece of code.

Note that these are the *minimum* guarantees. Different architectures may give more substantial guarantees, as discussed in Appendix C, but they may *not* be relied upon outside of code specifically designed to run only on the corresponding architecture.

However, primitives that implement atomic operations, such as locking primitives and atomic data-structure manipulation and traversal primitives, will normally include any needed memory barriers in their definitions. However, there are some exceptions, such as `atomic_inc()` in the Linux kernel, so be sure to review the documentation, and, if possible, the actual implementations, for your software environment.

One final word of advice: use of raw memory-barrier primitives should be a last resort. It is almost always better to use an existing primitive that takes care of memory barriers.

### 14.3 Non-Blocking Synchronization

The term *non-blocking synchronization* (NBS) describes six classes of linearizable algorithms with differing *forward-progress guarantees*. These forward-progress guarantees are orthogonal to those that form the basis of real-time programming:

1. Real-time forward-progress guarantees usually have some definite time associated with them, for example, "scheduling latency must be less than 100 microseconds." In contrast, NBS only that progress will be made in finite time, with no definite bound.
2. Real-time forward-progress guarantees are sometimes probabilistic, as in the soft-real-time guarantee that "at least 99.9% of the time, scheduling latency must be less than 100 microseconds." In contrast, NBS's forward-progress guarantees have traditionally been unconditional.
3. Real-time forward-progress guarantees are often conditioned on environmental constraints, for example, only being honored for the highest-priority tasks, when each CPU spends at least a certain fraction of its time idle, or when I/O rates are below some specified maximum. In contrast, NBS's forward-progress guarantees are usually unconditional.<sup>10</sup>

---

<sup>10</sup> As we will see below, some recent NBS work relaxes this guarantee.

4. Real-time forward-progress guarantees usually apply only in the absence of software bugs. In contrast, most NBS guarantees apply even in the face of fail-stop bugs.<sup>11</sup>
5. NBS forward-progress guarantee classes imply linearizability. In contrast, real-time forward progress guarantees are often independent of ordering constraints such as linearizability.

Despite these differences, a number of NBS algorithms are extremely useful in real-time programs.

There are currently six levels in the NBS hierarchy [ACHS13], which are roughly as follows:

1. *Wait-free synchronization*: Every thread will make progress in finite time [Her93].
2. *Lock-free synchronization*: At least one thread will make progress in finite time [Her93].
3. *Obstruction-free synchronization*: Every thread will make progress in finite time in the absence of contention [HLM03].
4. *Clash-free synchronization*: At least one thread will make progress in finite time in the absence of contention [ACHS13].
5. *Starvation-free synchronization*: Every thread will make progress in finite time in the absence of failures [ACHS13].
6. *Deadlock-free synchronization*: At least one thread will make progress in finite time in the absence of failures [ACHS13].

NBS classes 1 and 2 were first formulated in the early 1990s, class 3 was first formulated in the early 2000s, and class 4 was first formulated in 2013. The final two classes have seen informal use for a great many decades, but were reformulated in 2013.

In theory, any parallel algorithm can be cast into wait-free form, but there are a relatively small subset of NBS algorithms that are in common use. A few of these are listed in the following section.

### 14.3.1 Simple NBS

Perhaps the simplest NBS algorithm is atomic update of an integer counter using `fetch-and-add(atomic_add_return())` primitives.

Another simple NBS algorithm implements a set of integers in an array. Here the array index indicates a value that might be a member of the set and the array element indicates whether or not that value actually is a set member. The linearizability criterion for NBS algorithms requires that reads from and updates to the array either use atomic instructions or be accompanied by memory barriers, but in the not-uncommon case where linearizability is not important, simple volatile loads and stores suffice, for example, using `ACCESS_ONCE()`.

An NBS set may also be implemented using a bitmap, where each value that might be a member of the set corresponds to one bit. Reads and updates must normally

<sup>11</sup> Again, some recent NBS work relaxes this guarantee.

```

1 static inline bool
2 ___cds_wfcq_append(struct cds_wfcq_head *head,
3                   struct cds_wfcq_tail *tail,
4                   struct cds_wfcq_node *new_head,
5                   struct cds_wfcq_node *new_tail)
6 {
7     struct cds_wfcq_node *old_tail;
8
9     old_tail = uatomic_xchg(&tail->p, new_tail);
10    CMM_STORE_SHARED(old_tail->next, new_head);
11    return old_tail != &head->node;
12 }
13
14 static inline bool
15 _cds_wfcq_enqueue(struct cds_wfcq_head *head,
16                  struct cds_wfcq_tail *tail,
17                  struct cds_wfcq_node *new_tail)
18 {
19     return ___cds_wfcq_append(head, tail,
20                               new_tail, new_tail);
21 }

```

Figure 14.19: NBS Enqueue Algorithm

be carried out via atomic bit-manipulation instructions, although compare-and-swap (`cmpxchg ()` or CAS) instructions can also be used.

The statistical counters algorithm discussed in Section 5.2 can be considered wait-free, but only but using a cute definitional trick in which the sum is considered approximate rather than exact.<sup>12</sup> Given sufficiently wide error bounds that are a function of the length of time that the `read_count ()` function takes to sum the counters, it is not possible to prove that any non-linearizable behavior occurred. This definitely (if a bit artificially) classifies the statistical-counters algorithm as wait-free. This algorithm is probably the most heavily used NBS algorithm in the Linux kernel.

Another common NBS algorithm is the atomic queue where elements are enqueued using an atomic exchange instruction [MS98b], followed by a store into the `->next` pointer of the new element's predecessor, as shown in Figure 14.19, which shows the userspace-RCU library implementation [Des09]. Line 9 updates the tail pointer to reference the new element while returning a reference to its predecessor, which is stored in local variable `old_tail`. Line 10 then updates the predecessor's `->next` pointer to reference the newly added element, and finally line 11 returns an indication as to whether or not the queue was initially empty.

Although mutual exclusion is required to dequeue a single element (so that dequeue is blocking), it is possible to carry out a non-blocking removal of the entire contents of the queue. What is not possible is to dequeue any given element in a non-blocking manner: The enqueuer might have failed between lines 9 and 10 of the figure, so that the element in question is only partially enqueued. This results in a half-NBS algorithm where enqueues are NBS but dequeues are blocking. This algorithm is nevertheless used in practice, in part because most production software is not required to tolerate arbitrary fail-stop errors.

### 14.3.2 NBS Discussion

It is possible to create fully non-blocking queues [MS96], however, such queues are much more complex than the half-NBS algorithm outlined above. The lesson here is to

<sup>12</sup> Citation needed. I hear of this trick verbally from Mark Moir.

carefully consider what your requirements really are. Relaxing irrelevant requirements can often result in great improvements in both simplicity and performance.

Recent research points to another important way to relax requirements. It turns out that systems providing fair scheduling can enjoy most of the benefits of wait-free synchronization even when running algorithms that provide only non-blocking synchronization, both in theory [ACHS13] and in practice [AB13]. Because a great many schedulers used in production do in fact provide fairness, the more-complex algorithms providing wait-free synchronization usually provide no practical advantages over their simpler and often faster non-blocking-synchronization counterparts.

Interestingly enough, fair scheduling is but one beneficial constraint that is often respected in practice. Other sets of constraints can permit blocking algorithms to achieve deterministic real-time response. For example, given fair locks that are granted to requesters in FIFO order at a given priority level, a method of avoiding priority inversion (such as priority inheritance [TS95, WTS96] or priority ceiling), a bounded number of threads, bounded critical sections, bounded load, and avoidance of fail-stop bugs, lock-based applications can provide deterministic response times [Bra11]. This approach of course blurs the distinction between blocking and wait-free synchronization, which is all to the good. Hopefully theoretical frameworks continue to grow, further increasing their ability to describe how software is actually constructed in practice.

## Chapter 15

# Ease of Use

“Creating a perfect API is like committing the perfect crime. There are at least fifty things that can go wrong, and if you are a genius, you might be able to anticipate twenty-five of them.”

### 15.1 What is Easy?

“Easy” is a relative term. For example, many people would consider a 15-hour airplane flight to be a bit of an ordeal—unless they stopped to consider alternative modes of transportation, especially swimming. This means that creating an easy-to-use API requires that you know quite a bit about your intended users.

The following question illustrates this point: “Given a randomly chosen person among everyone alive today, what one change would improve his or her life?”

There is no single change that would be guaranteed to help everyone’s life. After all, there is an extremely wide range of people, with a correspondingly wide range of needs, wants, desires, and aspirations. A starving person might need food, but additional food might well hasten the death of a morbidly obese person. The high level of excitement so fervently desired by many young people might well be fatal to someone recovering from a heart attack. Information critical to the success of one person might contribute to the failure of someone suffering from information overload. In short, if you are working on a software project that is intended to help someone you know nothing about, you should not be surprised when that someone is less than impressed with your efforts.

If you really want to help a given group of people, there is simply no substitute for working closely with them over an extended period of time. Nevertheless, there are some simple things that you can do to increase the odds of your users being happy with your software, and some of these things are covered in the next section.

### 15.2 Rusty Scale for API Design

This section is adapted from portions of Rusty Russell’s 2003 Ottawa Linux Symposium keynote address [Rus03, Slides 39–57]. Rusty’s key point is that the goal should not be merely to make an API easy to use, but rather to make the API hard to misuse. To that end, Rusty proposed his “Rusty Scale” in decreasing order of this important hard-to-misuse property.

The following list attempts to generalize the Rusty Scale beyond the Linux kernel:

1. It is impossible to get wrong. Although this is the standard to which all API designers should strive, only the mythical `dwim()`<sup>1</sup> command manages to come close.
2. The compiler or linker won't let you get it wrong.
3. The compiler or linker will warn you if you get it wrong.
4. The simplest use is the correct one.
5. The name tells you how to use it.
6. Do it right or it will always break at runtime.
7. Follow common convention and you will get it right. The `malloc()` library function is a good example. Although it is easy to get memory allocation wrong, a great many projects do manage to get it right, at least most of the time. Using `malloc()` in conjunction with Valgrind [The11] moves `malloc()` almost up to the “do it right or it will always break at runtime” point on the scale.
8. Read the documentation and you will get it right.
9. Read the implementation and you will get it right.
10. Read the right mailing-list archive and you will get it right.
11. Read the right mailing-list archive and you will get it wrong.
12. Read the implementation and you will get it wrong. The original non-CONFIG\_PREEMPT implementation of `rcu_read_lock()` [McK07a] is an infamous example of this point on the scale.
13. Read the documentation and you will get it wrong. For example, the DEC Alpha `wmb` instruction's documentation [SW95] fooled a number of developers into thinking that that this instruction had much stronger memory-order semantics than it actually does. Later documentation clarified this point [Com01], moving the `wmb` instruction up to the “read the documentation and you will get it right” point on the scale.
14. Follow common convention and you will get it wrong. The `printf()` statement is an example of this point on the scale because developers almost always fail to check `printf()`'s error return.
15. Do it right and it will break at runtime.
16. The name tells you how not to use it.
17. The obvious use is wrong. The Linux kernel `smp_mb()` function is an example of this point on the scale. Many developers assume that this function has much stronger ordering semantics than it possesses. Section 14.2 contains the information needed to avoid this mistake, as does the Linux-kernel source tree's `Documentation` directory.

---

<sup>1</sup> The `dwim()` function is an acronym that expands to “do what I mean”.



18. The compiler or linker will warn you if you get it right.
19. The compiler or linker won't let you get it right.
20. It is impossible to get right. The `gets()` function is a famous example of this point on the scale. In fact, `gets()` can perhaps best be described as an unconditional buffer-overflow security hole.

### 15.3 Shaving the Mandelbrot Set

The set of useful programs resembles the Mandelbrot set (shown in Figure 15.1) in that it does not have a clear-cut smooth boundary — if it did, the halting problem would be solvable. But we need APIs that real people can use, not ones that require a Ph.D. dissertation be completed for each and every potential use. So, we “shave the Mandelbrot set”,<sup>2</sup> restricting the use of the API to an easily described subset of the full set of potential uses.

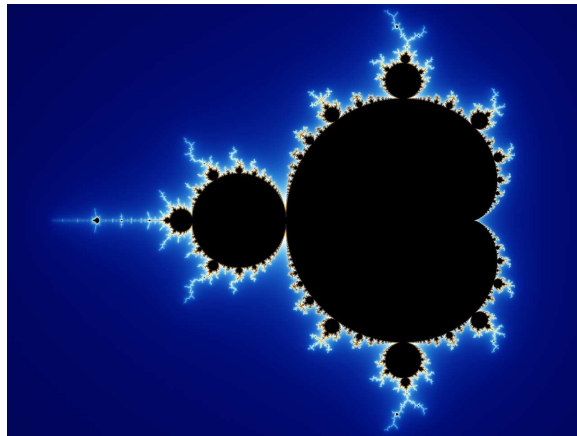


Figure 15.1: Mandelbrot Set (Courtesy of Wikipedia)

Such shaving may seem counterproductive. After all, if an algorithm works, why shouldn't it be used?

To see why at least some shaving is absolutely necessary, consider a locking design that avoids deadlock, but in perhaps the worst possible way. This design uses a circular doubly linked list, which contains one element for each thread in the system along with a header element. When a new thread is spawned, the parent thread must insert a new element into this list, which requires some sort of synchronization.

One way to protect the list is to use a global lock. However, this might be a bottleneck if threads were being created and deleted frequently.<sup>3</sup> Another approach would be to use a hash table and to lock the individual hash buckets, but this can perform poorly when scanning the list in order.

---

<sup>2</sup> Due to Josh Triplett.

<sup>3</sup> Those of you with strong operating-system backgrounds, please suspend disbelief. If you are unable to suspend disbelief, send us a better example.

A third approach is to lock the individual list elements, and to require the locks for both the predecessor and successor to be held during the insertion. Since both locks must be acquired, we need to decide which order to acquire them in. Two conventional approaches would be to acquire the locks in address order, or to acquire them in the order that they appear in the list, so that the header is always acquired first when it is one of the two elements being locked. However, both of these methods require special checks and branches.

The to-be-shaven solution is to unconditionally acquire the locks in list order. But what about deadlock?

Deadlock cannot occur.

To see this, number the elements in the list starting with zero for the header up to  $N$  for the last element in the list (the one preceding the header, given that the list is circular). Similarly, number the threads from zero to  $N - 1$ . If each thread attempts to lock some consecutive pair of elements, at least one of the threads is guaranteed to be able to acquire both locks.

Why?

Because there are not enough threads to reach all the way around the list. Suppose thread 0 acquires element 0's lock. To be blocked, some other thread must have already acquired element 1's lock, so let us assume that thread 1 has done so. Similarly, for thread 1 to be blocked, some other thread must have acquired element 2's lock, and so on, up through thread  $N - 1$ , who acquires element  $N - 1$ 's lock. For thread  $N - 1$  to be blocked, some other thread must have acquired element  $N$ 's lock. But there are no more threads, and so thread  $N - 1$  cannot be blocked. Therefore, deadlock cannot occur.

So why should we prohibit use of this delightful little algorithm?

The fact is that if you *really* want to use it, we cannot stop you. We *can*, however, recommend against such code being included in any project that we care about.

But, before you use this algorithm, please think through the following Quick Quiz.

**Quick Quiz 15.1:** Can a similar algorithm be used when deleting elements? ■

The fact is that this algorithm is extremely specialized (it only works on certain sized lists), and also quite fragile. Any bug that accidentally failed to add a node to the list could result in deadlock. In fact, simply adding the node a bit too late could result in deadlock.

In addition, the other algorithms described above are “good and sufficient”. For example, simply acquiring the locks in address order is fairly simple and quick, while allowing the use of lists of any size. Just be careful of the special cases presented by empty lists and lists containing only one element!

**Quick Quiz 15.2:** Yetch! What ever possessed someone to come up with an algorithm that deserves to be shaved as much as this one does???

In summary, we do not use algorithms simply because they happen to work. We instead restrict ourselves to algorithms that are useful enough to make it worthwhile learning about them. The more difficult and complex the algorithm, the more generally useful it must be in order for the pain of learning it and fixing its bugs to be worthwhile.

**Quick Quiz 15.3:** Give an exception to this rule. ■

Exceptions aside, we must continue to shave the software “Mandelbrot set” so that our programs remain maintainable, as shown in Figure 15.2.

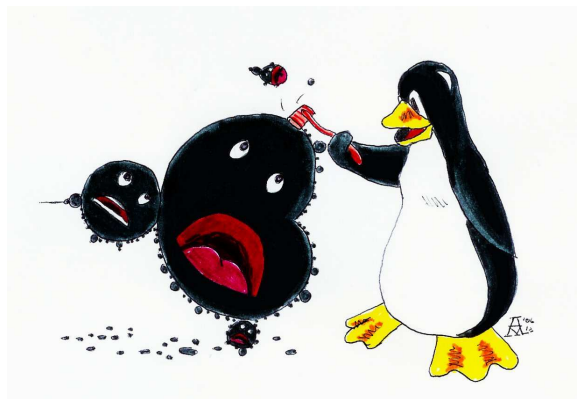


Figure 15.2: Shaving the Mandelbrot Set



## Chapter 16

# Conflicting Visions of the Future

This chapter presents some conflicting visions of the future of parallel programming. It is not clear which of these will come to pass, in fact, it is not clear that any of them will. They are nevertheless important because each vision has its devoted adherents, and if enough people believe in something fervently enough, you will need to deal with at least the shadow of that thing's existence in the form of its influence on the thoughts, words, and deeds of its adherents. Besides which, it is entirely possible that one or more of these visions will actually come to pass. But most are bogus. Tell which is which and you'll be rich [Spi77]!

Therefore, the following sections give an overview of transactional memory, hardware transactional memory, and parallel functional programming. But first, a cautionary tale on prognostication taken from the early 2000s.

### 16.1 The Future of CPU Technology Ain't What it Used to Be

Years past always seem so simple and innocent when viewed through the lens of many years of experience. And the early 2000s were for the most part innocent of the impending failure of Moore's Law to continue delivering the then-traditional increases in CPU clock frequency. Oh, there were the occasional warnings about the limits of technology, but such warnings had been sounded for decades. With that in mind, consider the following scenarios:

1. Uniprocessor Über Alles (Figure 16.1),
2. Multithreaded Mania (Figure 16.2),
3. More of the Same (Figure 16.3), and
4. Crash Dummies Slamming into the Memory Wall (Figure 16.4).

Each of these scenarios are covered in the following sections.

#### 16.1.1 Uniprocessor Über Alles

As was said in 2004 [McK04]:



(c) Melissa McFeyney 2004

Figure 16.1: Uniprocessor Über Alles

In this scenario, the combination of Moore’s-Law increases in CPU clock rate and continued progress in horizontally scaled computing render SMP systems irrelevant. This scenario is therefore dubbed “Uniprocessor Über Alles”, literally, uniprocessors above all else.

These uniprocessor systems would be subject only to instruction overhead, since memory barriers, cache thrashing, and contention do not affect single-CPU systems. In this scenario, RCU is useful only for niche applications, such as interacting with NMIs. It is not clear that an operating system lacking RCU would see the need to adopt it, although operating systems that already implement RCU might continue to do so.

However, recent progress with multithreaded CPUs seems to indicate that this scenario is quite unlikely.

Unlikely indeed! But the larger software community was reluctant to accept the fact that they would need to embrace parallelism, and so it was some time before this community concluded that the “free lunch” of Moore’s-Law-induced CPU core-clock frequency increases was well and truly finished. Never forget: belief is an emotion, not necessarily the result of a rational technical thought process!

### 16.1.2 Multithreaded Mania

Also from 2004 [McK04]:

A less-extreme variant of Uniprocessor Über Alles features uniprocessors with hardware multithreading, and in fact multithreaded CPUs are now standard for many desktop and laptop computer systems. The most aggressively multithreaded CPUs share all levels of cache hierarchy, thereby eliminating CPU-to-CPU memory latency, in turn greatly reducing the performance penalty for traditional synchronization mechanisms. However, a multithreaded CPU would still incur overhead due to contention

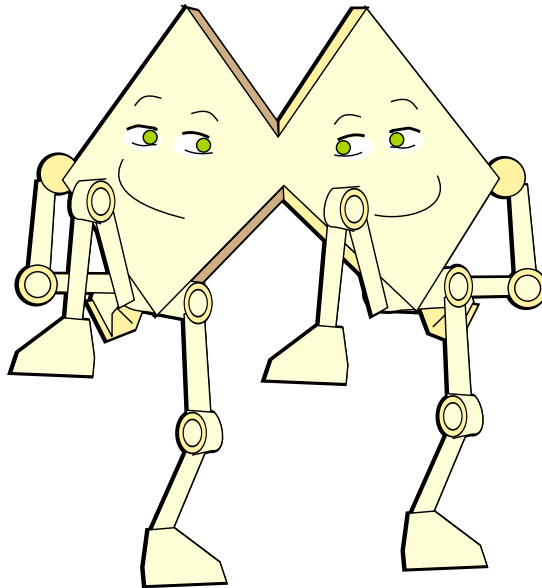


Figure 16.2: Multithreaded Mania

and to pipeline stalls caused by memory barriers. Furthermore, because all hardware threads share all levels of cache, the cache available to a given hardware thread is a fraction of what it would be on an equivalent single-threaded CPU, which can degrade performance for applications with large cache footprints. There is also some possibility that the restricted amount of cache available will cause RCU-based algorithms to incur performance penalties due to their grace-period-induced additional memory consumption. Investigating this possibility is future work.

However, in order to avoid such performance degradation, a number of multithreaded CPUs and multi-CPU chips partition at least some of the levels of cache on a per-hardware-thread basis. This increases the amount of cache available to each hardware thread, but re-introduces memory latency for cachelines that are passed from one hardware thread to another.

And we all know how this story has played out, with multiple multi-threaded cores on a single die plugged into a single socket. The question then becomes whether or not future shared-memory systems will always fit into a single socket.

### 16.1.3 More of the Same

Again from 2004 [McK04]:

The More-of-the-Same scenario assumes that the memory-latency ratios will remain roughly where they are today.

This scenario actually represents a change, since to have more of the same, interconnect performance must begin keeping up with the Moore's-Law

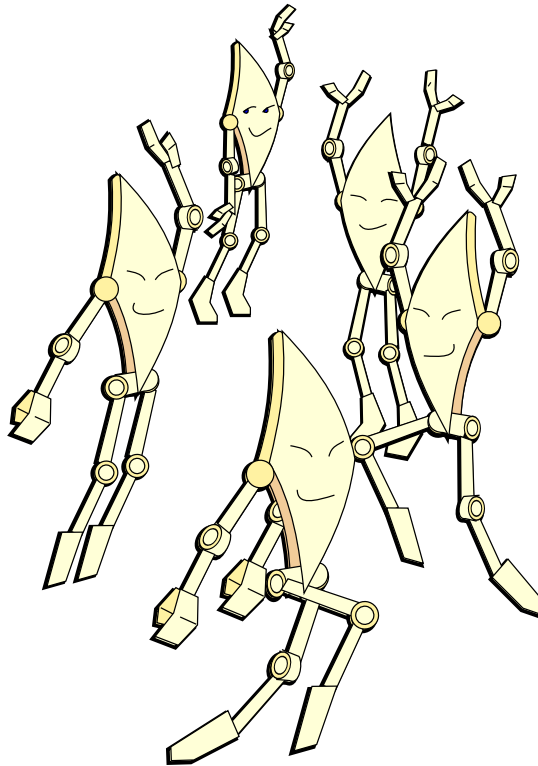


Figure 16.3: More of the Same

increases in core CPU performance. In this scenario, overhead due to pipeline stalls, memory latency, and contention remains significant, and RCU retains the high level of applicability that it enjoys today.

And the change has been the ever-increasing levels of integration that Moore's Law is still providing. But longer term, which will it be? More CPUs per die? Or more I/O, cache, and memory?

Servers seem to be choosing the former, while embedded systems on a chip (SoCs) continue choosing the latter.

#### 16.1.4 Crash Dummies Slamming into the Memory Wall

And one more quote from 2004 [McK04]:

If the memory-latency trends shown in Figure 16.5 continue, then memory latency will continue to grow relative to instruction-execution overhead. Systems such as Linux that have significant use of RCU will find additional use of RCU to be profitable, as shown in Figure 16.6 As can be seen in this figure, if RCU is heavily used, increasing memory-latency ratios give RCU an increasing advantage over other synchronization mechanisms. In contrast, systems with minor use of RCU will require increasingly high



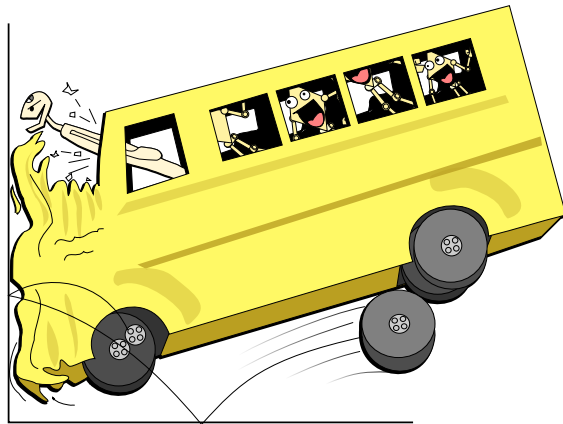


Figure 16.4: Crash Dummies Slamming into the Memory Wall

degrees of read intensity for use of RCU to pay off, as shown in Figure 16.7. As can be seen in this figure, if RCU is lightly used, increasing memory-latency ratios put RCU at an increasing disadvantage compared to other synchronization mechanisms. Since Linux has been observed with over 1,600 callbacks per grace period under heavy load [SM04], it seems safe to say that Linux falls into the former category.

On the one hand, this passage failed to anticipate the cache-warmth issues that RCU can suffer from in workloads with significant update intensity, in part because it seemed unlikely that RCU would really be used in such cases. In the event, the `SLAB_DESTROY_BY_RCU` has been pressed into service in a number of instances where these cache-warmth issues would otherwise be problematic, as has sequence locking. On the other hand, this passage also failed to anticipate that RCU would be used to reduce scheduling latency or for security.

In short, beware of prognostications, including those in the remainder of this chapter.

## 16.2 Transactional Memory

The idea of using transactions outside of databases goes back many decades [Lom77], with the key difference between database and non-database transactions being that non-database transactions drop the “D” in the “ACID” properties defining database transactions. The idea of supporting memory-based transactions, or “transactional memory” (TM), in hardware is more recent [HM93], but unfortunately, support for such transactions in commodity hardware was not immediately forthcoming, despite other somewhat similar proposals being put forward [SSHT93]. Not long after, Shavit and Touitou proposed a software-only implementation of transactional memory (STM) that was capable of running on commodity hardware, give or take memory-ordering issues. This proposal languished for many years, perhaps due to the fact that the research community’s attention was absorbed by non-blocking synchronization (see Section 14.3).

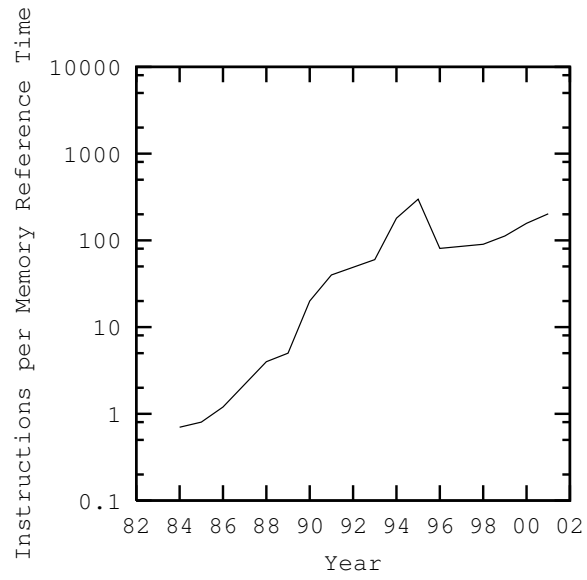


Figure 16.5: Instructions per Local Memory Reference for Sequent Computers

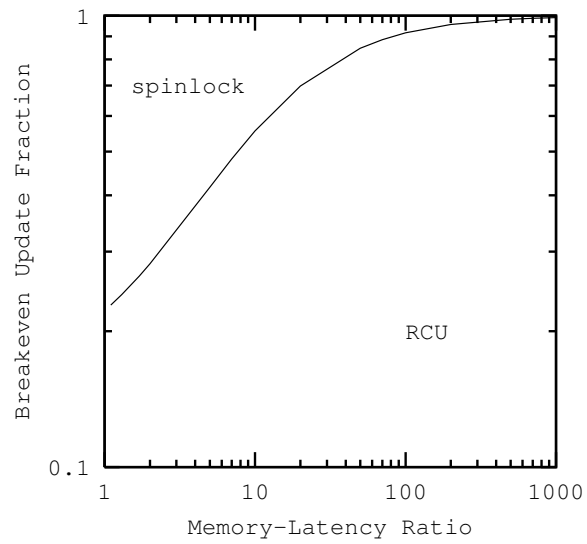


Figure 16.6: Breakevens vs.  $r$ ,  $\lambda$  Large, Four CPUs

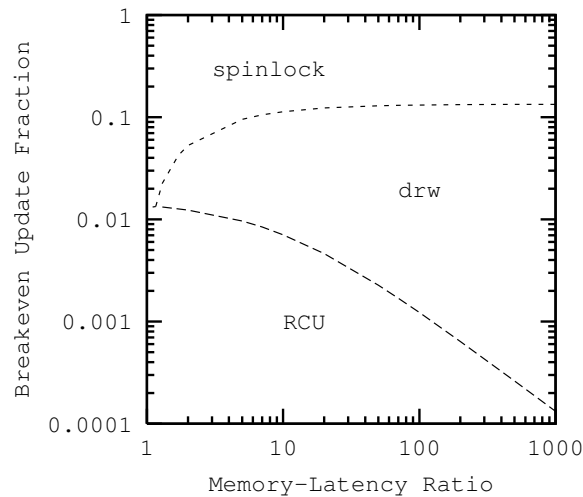


Figure 16.7: Breakevens vs.  $r$ ,  $\lambda$  Small, Four CPUs

But by the turn of the century, TM started receiving more attention [MT01, RG01], and by the middle of the decade, the level of interest can only be termed “incandescent” [Her05, Gro07], despite a few voices of caution [BLM05, MMW07].

The basic idea behind TM is to execute a section of code atomically, so that other threads see no intermediate state. As such, the semantics of TM could be implemented by simply replacing each transaction with a recursively acquirable global lock acquisition and release, albeit with abysmal performance and scalability. Much of the complexity inherent in TM implementations, whether hardware or software, is efficiently detecting when concurrent transactions can safely run in parallel. Because this detection is done dynamically, conflicting transactions can be aborted or “rolled back”, and in some implementations, this failure mode is visible to the programmer.

Because transaction roll-back is increasingly unlikely as transaction size decreases, TM might become quite attractive for small memory-based operations, such as linked-list manipulations used for stacks, queues, hash tables, and search trees. However, it is currently much more difficult to make the case for large transactions, particularly those containing non-memory operations such as I/O and process creation. The following sections look at current challenges to the grand vision of “Transactional Memory Everywhere” [McK09d]. Section 16.2.1 examines the challenges faced interacting with the outside world, Section 16.2.2 looks at interactions with process modification primitives, Section 16.2.3 explores interactions with other synchronization primitives, and finally Section 16.2.4 closes with some discussion.

## 16.2.1 Outside World

In the words of Donald Knuth:

Many computer users feel that input and output are not actually part of “real programming,” they are merely things that (unfortunately) must be done in order to get information in and out of the machine.

Whether we believe that input and output are “real programming” or not, the fact is that for most computer systems, interaction with the outside world is a first-class requirement. This section therefore critiques transactional memory’s ability to so interact, whether via I/O operations, time delays, or persistent storage.

### 16.2.1.1 I/O Operations

One can execute I/O operations within a lock-based critical section, and, at least in principle, from within an RCU read-side critical section. What happens when you attempt to execute an I/O operation from within a transaction?

The underlying problem is that transactions may be rolled back, for example, due to conflicts. Roughly speaking, this requires that all operations within any given transaction be revocable, so that executing the operation twice has the same effect as executing it once. Unfortunately, I/O is in general the prototypical irrevocable operation, making it difficult to include general I/O operations in transactions. In fact, general I/O is irrevocable: Once you have pushed the button launching the nuclear warheads, there is no turning back.

Here are some options for handling of I/O within transactions:

1. Restrict I/O within transactions to buffered I/O with in-memory buffers. These buffers may then be included in the transaction in the same way that any other memory location might be included. This seems to be the mechanism of choice, and it does work well in many common cases of situations such as stream I/O and mass-storage I/O. However, special handling is required in cases where multiple record-oriented output streams are merged onto a single file from multiple processes, as might be done using the “a+” option to `fopen()` or the `O_APPEND` flag to `open()`. In addition, as will be seen in the next section, common networking operations cannot be handled via buffering.
2. Prohibit I/O within transactions, so that any attempt to execute an I/O operation aborts the enclosing transaction (and perhaps multiple nested transactions). This approach seems to be the conventional TM approach for unbuffered I/O, but requires that TM interoperate with other synchronization primitives that do tolerate I/O.
3. Prohibit I/O within transactions, but enlist the compiler’s aid in enforcing this prohibition.
4. Permit only one special *irrevocable* transaction [SMS08] to proceed at any given time, thus allowing irrevocable transactions to contain I/O operations.<sup>1</sup> This works in general, but severely limits the scalability and performance of I/O operations. Given that scalability and performance is a first-class goal of parallelism, this approach’s generality seems a bit self-limiting. Worse yet, use of irrevocability to tolerate I/O operations seems to prohibit use of manual transaction-abort operations.<sup>2</sup> Finally, if there is an irrevocable transaction manipulating a given data item, any other transaction manipulating that same data item cannot have non-blocking semantics.

---

<sup>1</sup> In earlier literature, irrevocable transactions are termed *inevitable* transactions.

<sup>2</sup> This difficulty was pointed out by Michael Factor.

5. Create new hardware and protocols such that I/O operations can be pulled into the transactional substrate. In the case of input operations, the hardware would need to correctly predict the result of the operation, and to abort the transaction if the prediction failed.

I/O operations are a well-known weakness of TM, and it is not clear that the problem of supporting I/O in transactions has a reasonable general solution, at least if “reasonable” is to include usable performance and scalability. Nevertheless, continued time and attention to this problem will likely produce additional progress.

### 16.2.1.2 RPC Operations

One can execute RPCs within a lock-based critical section, as well as from within an RCU read-side critical section. What happens when you attempt to execute an RPC from within a transaction?

If both the RPC request and its response are to be contained within the transaction, and if some part of the transaction depends on the result returned by the response, then it is not possible to use the memory-buffer tricks that can be used in the case of buffered I/O. Any attempt to take this buffering approach would deadlock the transaction, as the request could not be transmitted until the transaction was guaranteed to succeed, but the transaction’s success might not be knowable until after the response is received, as is the case in the following example:

```
1 begin_trans();
2 rpc_request();
3 i = rpc_response();
4 a[i]++;
5 end_trans();
```

The transaction’s memory footprint cannot be determined until after the RPC response is received, and until the transaction’s memory footprint can be determined, it is impossible to determine whether the transaction can be allowed to commit. The only action consistent with transactional semantics is therefore to unconditionally abort the transaction, which is, to say the least, unhelpful.

Here are some options available to TM:

1. Prohibit RPC within transactions, so that any attempt to execute an RPC operation aborts the enclosing transaction (and perhaps multiple nested transactions). Alternatively, enlist the compiler to enforce RPC-free transactions. This approach does work, but will require TM to interact with other synchronization primitives.
2. Permit only one special irrevocable transaction [SMS08] to proceed at any given time, thus allowing irrevocable transactions to contain RPC operations. This works in general, but severely limits the scalability and performance of RPC operations. Given that scalability and performance is a first-class goal of parallelism, this approach’s generality seems a bit self-limiting. Furthermore, use of irrevocable transactions to permit RPC operations rules out manual transaction-abort operations once the RPC operation has started. Finally, if there is an irrevocable transaction manipulating a given data item, any other transaction manipulating that same data item cannot have non-blocking semantics.
3. Identify special cases where the success of the transaction may be determined before the RPC response is received, and automatically convert these to irrevocable

transactions immediately before sending the RPC request. Of course, if several concurrent transactions attempt RPC calls in this manner, it might be necessary to roll all but one of them back, with consequent degradation of performance and scalability. This approach nevertheless might be valuable given long-running transactions ending with an RPC. This approach still has problems with manual transaction-abort operations.

4. Identify special cases where the RPC response may be moved out of the transaction, and then proceed using techniques similar to those used for buffered I/O.
5. Extend the transactional substrate to include the RPC server as well as its client. This is in theory possible, as has been demonstrated by distributed databases. However, it is unclear whether the requisite performance and scalability requirements can be met by distributed-database techniques, given that memory-based TM cannot hide such latencies behind those of slow disk drives. Of course, given the advent of solid-state disks, it is also unclear how much longer databases will be permitted to hide their latencies behind those of disks drives.

As noted in the prior section, I/O is a known weakness of TM, and RPC is simply an especially problematic case of I/O.

### 16.2.1.3 Time Delays

An important special case of interaction with extra-transactional accesses involves explicit time delays within a transaction. Of course, the idea of a time delay within a transaction flies in the face of TM's atomicity property, but one can argue that this sort of thing is what weak atomicity is all about. Furthermore, correct interaction with memory-mapped I/O sometimes requires carefully controlled timing, and applications often use time delays for varied purposes.

So, what can TM do about time delays within transactions?

1. Ignore time delays within transactions. This has an appearance of elegance, but like too many other "elegant" solutions, fails to survive first contact with legacy code. Such code, which might well have important time delays in critical sections, would fail upon being transactionalized.
2. Abort transactions upon encountering a time-delay operation. This is attractive, but it is unfortunately not always possible to automatically detect a time-delay operation. Is that tight loop computing something important, or is it instead waiting for time to elapse?
3. Enlist the compiler to prohibit time delays within transactions.
4. Let the time delays execute normally. Unfortunately, some TM implementations publish modifications only at commit time, which would in many cases defeat the purpose of the time delay.

It is not clear that there is a single correct answer. TM implementations featuring weak atomicity that publish changes immediately within the transaction (rolling these changes back upon abort) might be reasonably well served by the last alternative. Even in this case, the code at the other end of the transaction may require a substantial redesign to tolerate aborted transactions.

#### 16.2.1.4 Persistence

There are many different types of locking primitives. One interesting distinction is persistence, in other words, whether the lock can exist independently of the address space of the process using the lock.

Non-persistent locks include `pthread_mutex_lock()`, `pthread_rwlock_rdlock()`, and most kernel-level locking primitives. If the memory locations instantiating a non-persistent lock's data structures disappear, so does the lock. For typical use of `pthread_mutex_lock()`, this means that when the process exits, all of its locks vanish. This property can be exploited in order to trivialize lock cleanup at program shutdown time, but makes it more difficult for unrelated applications to share locks, as such sharing requires the applications to share memory.

Persistent locks help avoid the need to share memory among unrelated applications. Persistent locking APIs include the flock family, `lockf()`, System V semaphores, or the `O_CREAT` flag to `open()`. These persistent APIs can be used to protect large-scale operations spanning runs of multiple applications, and, in the case of `O_CREAT` even surviving operating-system reboot. If need be, locks can span multiple computer systems via distributed lock managers.

Persistent locks can be used by any application, including applications written using multiple languages and software environments. In fact, a persistent lock might well be acquired by an application written in C and released by an application written in Python.

How could a similar persistent functionality be provided for TM?

1. Restrict persistent transactions to special-purpose environments designed to support them, for example, SQL. This clearly works, given the decades-long history of database systems, but does not provide the same degree of flexibility provided by persistent locks.
2. Use snapshot facilities provided by some storage devices and/or filesystems. Unfortunately, this does not handle network communication, nor does it handle I/O to devices that do not provide snapshot capabilities, for example, memory sticks.
3. Build a time machine.

Of course, the fact that it is called transactional *memory* should give us pause, as the name itself conflicts with the concept of a persistent transaction. It is nevertheless worthwhile to consider this possibility as an important test case probing the inherent limitations of transactional memory.

## 16.2.2 Process Modification

Processes are not eternal: They are created and destroyed, their memory mappings are modified, they are linked to dynamic libraries, and they are debugged. These sections look at how transactional memory can handle an ever-changing execution environment.

### 16.2.2.1 Multithreaded Transactions

It is perfectly legal to create processes and threads while holding a lock or, for that matter, from within an RCU read-side critical section. Not only is it legal, but it is quite simple, as can be seen from the following code fragment:

```

1 pthread_mutex_lock(...);
2 for (i = 0; i < ncpus; i++)
3   pthread_create(&tid[i], ...);
4 for (i = 0; i < ncpus; i++)
5   pthread_join(tid[i], ...);
6 pthread_mutex_unlock(...);

```

This pseudo-code fragment uses `pthread_create()` to spawn one thread per CPU, then uses `pthread_join()` to wait for each to complete, all under the protection of `pthread_mutex_lock()`. The effect is to execute a lock-based critical section in parallel, and one could obtain a similar effect using `fork()` and `wait()`. Of course, the critical section would need to be quite large to justify the thread-spawning overhead, but there are many examples of large critical sections in production software.

What might TM do about thread spawning within a transaction?

1. Declare `pthread_create()` to be illegal within transactions, resulting in transaction abort (preferred) or undefined behavior. Alternatively, enlist the compiler to enforce `pthread_create()`-free transactions.
2. Permit `pthread_create()` to be executed within a transaction, but only the parent thread will be considered to be part of the transaction. This approach seems to be reasonably compatible with existing and posited TM implementations, but seems to be a trap for the unwary. This approach raises further questions, such as how to handle conflicting child-thread accesses.
3. Convert the `pthread_create()`s to function calls. This approach is also an attractive nuisance, as it does not handle the not-uncommon cases where the child threads communicate with one another. In addition, it does not permit parallel execution of the body of the transaction.
4. Extend the transaction to cover the parent and all child threads. This approach raises interesting questions about the nature of conflicting accesses, given that the parent and children are presumably permitted to conflict with each other, but not with other threads. It also raises interesting questions as to what should happen if the parent thread does not wait for its children before committing the transaction. Even more interesting, what happens if the parent conditionally executes `pthread_join()` based on the values of variables participating in the transaction? The answers to these questions are reasonably straightforward in the case of locking. The answers for TM are left as an exercise for the reader.

Given that parallel execution of transactions is commonplace in the database world, it is perhaps surprising that current TM proposals do not provide for it. On the other hand, the example above is a fairly sophisticated use of locking that is not normally found in simple textbook examples, so perhaps its omission is to be expected. That said, there are rumors that some TM researchers are investigating fork/join parallelism within transactions, so perhaps this topic will soon be addressed more thoroughly.

#### 16.2.2.2 The `exec()` System Call

One can execute an `exec()` system call while holding a lock, and also from within an RCU read-side critical section. The exact semantics depends on the type of primitive.



In the case of non-persistent primitives (including `pthread_mutex_lock()`, `pthread_rwlock_rdlock()`, and RCU), if the `exec()` succeeds, the whole address space vanishes, along with any locks being held. Of course, if the `exec()` fails, the address space still lives, so any associated locks would also still live. A bit strange perhaps, but reasonably well defined.

On the other hand, persistent primitives (including the flock family, `lockf()`, System V semaphores, and the `O_CREAT` flag to `open()`) would survive regardless of whether the `exec()` succeeded or failed, so that the `exec()` ed program might well release them.

**Quick Quiz 16.1:** What about non-persistent primitives represented by data structures in `mmap()` regions of memory? What happens when there is an `exec()` within a critical section of such a primitive? ■

What happens when you attempt to execute an `exec()` system call from within a transaction?

1. Disallow `exec()` within transactions, so that the enclosing transactions abort upon encountering the `exec()`. This is well defined, but clearly requires non-TM synchronization primitives for use in conjunction with `exec()`.
2. Disallow `exec()` within transactions, with the compiler enforcing this prohibition. There is a draft specification for TM in C++ that takes this approach, allowing functions to be decorated with the `transaction_safe` and `transaction_unsafe` attributes.<sup>3</sup> This approach has some advantages over aborting the transaction at runtime, but again requires non-TM synchronization primitives for use in conjunction with `exec()`.
3. Treat the transaction in a manner similar to non-persistent Locking primitives, so that the transaction survives if `exec()` fails, and silently commits if the `exec()` succeeds. The case were some of the variables affected by the transaction reside in `mmap()` ed memory (and thus could survive a successful `exec()` system call) is left as an exercise for the reader.
4. Abort the transaction (and the `exec()` system call) if the `exec()` system call would have succeeded, but allow the transaction to continue if the `exec()` system call would fail. This is in some sense the “correct” approach, but it would require considerable work for a rather unsatisfying result.

The `exec()` system call is perhaps the strangest example of an obstacle to universal TM applicability, as it is not completely clear what approach makes sense, and some might argue that this is merely a reflection of the perils of interacting with execs in real life. That said, the two options prohibiting `exec()` within transactions are perhaps the most logical of the group.

Similar issues surround the `exit()` and `kill()` system calls.

### 16.2.2.3 Dynamic Linking and Loading

Both lock-based critical sections and RCU read-side critical sections can legitimately contain code that invokes dynamically linked and loaded functions, including C/C++ shared libraries and Java class libraries. Of course, the code contained in these libraries

---

<sup>3</sup> Thanks to Mark Moir for pointing me at this spec, and to Michael Wong for having pointed me at an earlier revision some time back.

is by definition unknowable at compile time. So, what happens if a dynamically loaded function is invoked within a transaction?

This question has two parts: (a) how do you dynamically link and load a function within a transaction and (b) what do you do about the unknowable nature of the code within this function? To be fair, item (b) poses some challenges for locking and RCU as well, at least in theory. For example, the dynamically linked function might introduce a deadlock for locking or might (erroneously) introduce a quiescent state into an RCU read-side critical section. The difference is that while the class of operations permitted in locking and RCU critical sections is well-understood, there appears to still be considerable uncertainty in the case of TM. In fact, different implementations of TM seem to have different restrictions.

So what can TM do about dynamically linked and loaded library functions? Options for part (a), the actual loading of the code, include the following:

1. Treat the dynamic linking and loading in a manner similar to a page fault, so that the function is loaded and linked, possibly aborting the transaction in the process. If the transaction is aborted, the retry will find the function already present, and the transaction can thus be expected to proceed normally.
2. Disallow dynamic linking and loading of functions from within transactions.

Options for part (b), the inability to detect TM-unfriendly operations in a not-yet-loaded function, possibilities include the following:

1. Just execute the code: if there are any TM-unfriendly operations in the function, simply abort the transaction. Unfortunately, this approach makes it impossible for the compiler to determine whether a given group of transactions may be safely composed. One way to permit composability regardless is irrevocable transactions, however, current implementations permit only a single irrevocable transaction to proceed at any given time, which can severely limit performance and scalability. Irrevocable transactions also seem to rule out use of manual transaction-abort operations. Finally, if there is an irrevocable transaction manipulating a given data item, any other transaction manipulating that same data item cannot have non-blocking semantics.
2. Decorate the function declarations indicating which functions are TM-friendly. These decorations can then be enforced by the compiler's type system. Of course, for many languages, this requires language extensions to be proposed, standardized, and implemented, with the corresponding time delays. That said, the standardization effort is already in progress [ATS09].
3. As above, disallow dynamic linking and loading of functions from within transactions.

I/O operations are of course a known weakness of TM, and dynamic linking and loading can be thought of as yet another special case of I/O. Nevertheless, the proponents of TM must either solve this problem, or resign themselves to a world where TM is but one tool of several in the parallel programmer's toolbox. (To be fair, a number of TM proponents have long since resigned themselves to a world containing more than just TM.)

#### 16.2.2.4 Memory-Mapping Operations

It is perfectly legal to execute memory-mapping operations (including `mmap()`, `shmat()`, and `munmap()` [Gro01]) within a lock-based critical section, and, at least in principle, from within an RCU read-side critical section. What happens when you attempt to execute such an operation from within a transaction? More to the point, what happens if the memory region being remapped contains some variables participating in the current thread's transaction? And what if this memory region contains variables participating in some other thread's transaction?

It should not be necessary to consider cases where the TM system's metadata is remapped, given that most locking primitives do not define the outcome of remapping their lock variables.

Here are some memory-mapping options available to TM:

1. Memory remapping is illegal within a transaction, and will result in all enclosing transactions being aborted. This does simplify things somewhat, but also requires that TM interoperate with synchronization primitives that do tolerate remapping from within their critical sections.
2. Memory remapping is illegal within a transaction, and the compiler is enlisted to enforce this prohibition.
3. Memory mapping is legal within a transaction, but aborts all other transactions having variables in the region mapped over.
4. Memory mapping is legal within a transaction, but the mapping operation will fail if the region being mapped overlaps with the current transaction's footprint.
5. All memory-mapping operations, whether within or outside a transaction, check the region being mapped against the memory footprint of all transactions in the system. If there is overlap, then the memory-mapping operation fails.
6. The effect of memory-mapping operations that overlap the memory footprint of any transaction in the system is determined by the TM conflict manager, which might dynamically determine whether to fail the memory-mapping operation or abort any conflicting transactions.

It is interesting to note that `munmap()` leaves the relevant region of memory unmapped, which could have additional interesting implications.<sup>4</sup>

#### 16.2.2.5 Debugging

The usual debugging operations such as breakpoints work normally within lock-based critical sections and from RCU read-side critical sections. However, in initial transactional-memory hardware implementations [DLMN09] an exception within a transaction will abort that transaction, which in turn means that breakpoints abort all enclosing transactions

So how can transactions be debugged?

---

<sup>4</sup> This difference between mapping and unmapping was noted by Josh Triplett.

1. Use software emulation techniques within transactions containing breakpoints. Of course, it might be necessary to emulate all transactions any time a breakpoint is set within the scope of any transaction. If the runtime system is unable to determine whether or not a given breakpoint is within the scope of a transaction, then it might be necessary to emulate all transactions just to be on the safe side. However, this approach might impose significant overhead, which might in turn obscure the bug being pursued.
2. Use only hardware TM implementations that are capable of handling breakpoint exceptions. Unfortunately, as of this writing (September 2008), all such implementations are strictly research prototypes.
3. Use only software TM implementations, which are (very roughly speaking) more tolerant of exceptions than are the simpler of the hardware TM implementations. Of course, software TM tends to have higher overhead than hardware TM, so this approach may not be acceptable in all situations.
4. Program more carefully, so as to avoid having bugs in the transactions in the first place. As soon as you figure out how to do this, please do let everyone know the secret!

There is some reason to believe that transactional memory will deliver productivity improvements compared to other synchronization mechanisms, but it does seem quite possible that these improvements could easily be lost if traditional debugging techniques cannot be applied to transactions. This seems especially true if transactional memory is to be used by novices on large transactions. In contrast, macho “top-gun” programmers might be able to dispense with such debugging aids, especially for small transactions.

Therefore, if transactional memory is to deliver on its productivity promises to novice programmers, the debugging problem does need to be solved.

### **16.2.3 Synchronization**

If transactional memory someday proves that it can be everything to everyone, it will not need to interact with any other synchronization mechanism. Until then, it will need to work with synchronization mechanisms that can do what it cannot, or that work more naturally in a given situation. The following sections outline the current challenges in this area.

#### **16.2.3.1 Locking**

It is commonplace to acquire locks while holding other locks, which works quite well, at least as long as the usual well-known software-engineering techniques are employed to avoid deadlock. It is not unusual to acquire locks from within RCU read-side critical sections, which eases deadlock concerns because RCU read-side primitives cannot participated in lock-based deadlock cycles. But happens when you attempt to acquire a lock from within a transaction?

In theory, the answer is trivial: simply manipulate the data structure representing the lock as part of the transaction, and everything works out perfectly. In practice, a number of non-obvious complications [VGS08] can arise, depending on implementation details of the TM system. These complications can be resolved, but at the cost of a 45% increase in overhead for locks acquired outside of transactions and a 300% increase in

overhead for locks acquired within transactions. Although these overheads might be acceptable for transactional programs containing small amounts of locking, they are often completely unacceptable for production-quality lock-based programs wishing to use the occasional transaction.

1. Use only locking-friendly TM implementations. Unfortunately, the locking-unfriendly implementations have some attractive properties, including low overhead for successful transactions and the ability to accommodate extremely large transactions.
2. Use TM only “in the small” when introducing TM to lock-based programs, thereby accommodating the limitations of locking-friendly TM implementations.
3. Set aside locking-based legacy systems entirely, re-implementing everything in terms of transactions. This approach has no shortage of advocates, but this requires that all the issues described in this series be resolved. During the time it takes to resolve these issues, competing synchronization mechanisms will of course also have the opportunity to improve.
4. Use TM strictly as an optimization in lock-based systems, as was done by the TxLinux [RHP<sup>+</sup>07] group. This approach seems sound, but leaves the locking design constraints (such as the need to avoid deadlock) firmly in place.
5. Strive to reduce the overhead imposed on locking primitives.

The fact that there could possibly be a problem interfacing TM and locking came as a surprise to many, which underscores the need to try out new mechanisms and primitives in real-world production software. Fortunately, the advent of open source means that a huge quantity of such software is now freely available to everyone, including researchers.

### 16.2.3.2 Reader-Writer Locking

It is commonplace to read-acquire reader-writer locks while holding other locks, which just works, at least as long as the usual well-known software-engineering techniques are employed to avoid deadlock. Read-acquiring reader-writer locks from within RCU read-side critical sections also works, and doing so eases deadlock concerns because RCU read-side primitives cannot participate in lock-based deadlock cycles. But what happens when you attempt to read-acquire a reader-writer lock from within a transaction?

Unfortunately, the straightforward approach to read-acquiring the traditional counter-based reader-writer lock within a transaction defeats the purpose of the reader-writer lock. To see this, consider a pair of transactions concurrently attempting to read-acquire the same reader-writer lock. Because read-acquisition involves modifying the reader-writer lock’s data structures, a conflict will result, which will roll back one of the two transactions. This behavior is completely inconsistent with the reader-writer lock’s goal of allowing concurrent readers.

Here are some options available to TM:

1. Use per-CPU or per-thread reader-writer locking [HW92], which allows a given CPU (or thread, respectively) to manipulate only local data when read-acquiring the lock. This would avoid the conflict between the two transactions concurrently read-acquiring the lock, permitting both to proceed, as intended. Unfortunately,

- (1) the write-acquisition overhead of per-CPU/thread locking can be extremely high, (2) the memory overhead of per-CPU/thread locking can be prohibitive, and (3) this transformation is available only when you have access to the source code in question. Other more-recent scalable reader-writer locks [LLO09] might avoid some or all of these problems.
2. Use TM only “in the small” when introducing TM to lock-based programs, thereby avoiding read-acquiring reader-writer locks from within transactions.
3. Set aside locking-based legacy systems entirely, re-implementing everything in terms of transactions. This approach has no shortage of advocates, but this requires that *all* the issues described in this series be resolved. During the time it takes to resolve these issues, competing synchronization mechanisms will of course also have the opportunity to improve.
4. Use TM strictly as an optimization in lock-based systems, as was done by the TxLinux [RHP<sup>+</sup>07] group. This approach seems sound, but leaves the locking design constraints (such as the need to avoid deadlock) firmly in place. Furthermore, this approach can result in unnecessary transaction rollbacks when multiple transactions attempt to read-acquire the same lock.

Of course, there might well be other non-obvious issues surrounding combining TM with reader-writer locking, as there in fact were with exclusive locking.

### 16.2.3.3 RCU

Because read-copy update (RCU) finds its main use in the Linux kernel, one might be forgiven for assuming that there had been no academic work on combining RCU and TM.<sup>5</sup> However, the TxLinux group from the University of Texas at Austin had no choice [RHP<sup>+</sup>07]. The fact that they applied TM to the Linux 2.6 kernel, which uses RCU, forced them to integrate TM and RCU, with TM taking the place of locking for RCU updates. Unfortunately, although the paper does state that the RCU implementation’s locks (e.g., `rcu_ctrlblk.lock`) were converted to transactions, it is silent about what happened to locks used in RCU-based updates (e.g., `dcache_lock`).

It is important to note that RCU permits readers and updaters to run concurrently, further permitting RCU readers to access data that is in the act of being updated. Of course, this property of RCU, whatever its performance, scalability, and real-time-response benefits might be, flies in the face of the underlying atomicity properties of TM.

So how should TM-based updates interact with concurrent RCU readers? Some possibilities are as follows:

1. RCU readers abort concurrent conflicting TM updates. This is in fact the approach taken by the TxLinux project. This approach does preserve RCU semantics, and also preserves RCU’s read-side performance, scalability, and real-time-response properties, but it does have the unfortunate side-effect of unnecessarily aborting conflicting updates. In the worst case, a long sequence of RCU readers could potentially starve all updaters, which could in theory result in system hangs. In addition, not all TM implementations offer the strong atomicity required to implement this approach.

---

<sup>5</sup> However, the in-kernel excuse is wearing thin with the advent of user-space RCU [Des09, DMS<sup>+</sup>12].

2. RCU readers that run concurrently with conflicting TM updates get old (pre-transaction) values from any conflicting RCU loads. This preserves RCU semantics and performance, and also prevents RCU-update starvation. However, not all TM implementations can provide timely access to old values of variables that have been tentatively updated by an in-flight transaction. In particular, log-based TM implementations that maintain old values in the log (thus making for excellent TM commit performance) are not likely to be happy with this approach. Perhaps the `rcu_dereference()` primitive can be leveraged to permit RCU to access the old values within a greater range of TM implementations, though performance might still be an issue. Nevertheless, there are popular TM implementations that can be easily and efficiently integrated with RCU in this manner [PW07, HW11, HW13].
3. If an RCU reader executes an access that conflicts with an in-flight transaction, then that RCU access is delayed until the conflicting transaction either commits or aborts. This approach preserves RCU semantics, but not RCU's performance or real-time response, particularly in presence of long-running transactions. In addition, not all TM implementations are capable of delaying conflicting accesses. That said, this approach seems eminently reasonable for hardware TM implementations that support only small transactions.
4. RCU readers are converted to transactions. This approach pretty much guarantees that RCU is compatible with any TM implementation, but it also imposes TM's rollbacks on RCU read-side critical sections, destroying RCU's real-time response guarantees, and also degrading RCU's read-side performance. Furthermore, this approach is infeasible in cases where any of the RCU read-side critical sections contains operations that the TM implementation in question is incapable of handling.
5. Many update-side uses of RCU modify a single pointer to publish a new data structure. In some these cases, RCU can safely be permitted to see a transactional pointer update that is subsequently rolled back, as long as the transaction respects memory ordering and as long as the roll-back process uses `call_rcu()` to free up the corresponding structure. Unfortunately, not all TM implementations respect memory barriers within a transaction. Apparently, the thought is that because transactions are supposed to be atomic, the ordering of the accesses within the transaction is not supposed to matter.
6. Prohibit use of TM in RCU updates. This is guaranteed to work, but seems a bit restrictive.

It seems likely that additional approaches will be uncovered, especially given the advent of user-level RCU implementations.<sup>6</sup>

#### 16.2.3.4 Extra-Transactional Accesses

Within a lock-based critical section, it is perfectly legal to manipulate variables that are concurrently accessed or even modified outside that lock's critical section, with one

---

<sup>6</sup> Kudos to the TxLinux group, Maged Michael, and Josh Triplett for coming up with a number of the above alternatives.

common example being statistical counters. The same thing is possible within RCU read-side critical sections, and is in fact the common case.

Given mechanisms such as the so-called “dirty reads” that are prevalent in production database systems, it is not surprising that extra-transactional accesses have received serious attention from the proponents of TM, with the concepts of weak and strong atomicity [BLM06] being but one case in point.

Here are some extra-transactional options available to TM:

1. Conflicts due to extra-transactional accesses always abort transactions. This is strong atomicity.
2. Conflicts due to extra-transactional accesses are ignored, so only conflicts among transactions can abort transactions. This is weak atomicity.
3. Transactions are permitted to carry out non-transactional operations in special cases, such as when allocating memory or interacting with lock-based critical sections.
4. Produce hardware extensions that permit some operations (for example, addition) to be carried out concurrently on a single variable by multiple transactions.
5. Introduce weak semantics to transactional memory. One approach is the combination with RCU described in Section 16.2.3.3, while Gramoli and Guerraoui survey a number of other weak-transaction approaches [GG14], for example, restricted partitioning of large “elastic” transactions into smaller transactions, thus reducing conflict probabilities (albeit with tepid performance and scalability). Perhaps further experience will show that some uses of extra-transactional accesses can be replaced by weak transactions.

It appears that transactions were conceived as standing alone, with no interaction required with any other synchronization mechanism. If so, it is no surprise that much confusion and complexity arises when combining transactions with non-transactional accesses. But unless transactions are to be confined to small updates to isolated data structures, or alternatively to be confined to new programs that do not interact with the huge body of existing parallel code, then transactions absolutely must be so combined if they are to have large-scale practical impact in the near term.

#### 16.2.4 Discussion

The obstacles to universal TM adoption lead to the following conclusions:

1. One interesting property of TM is the fact that transactions are subject to rollback and retry. This property underlies TM’s difficulties with irreversible operations, including unbuffered I/O, RPCs, memory-mapping operations, time delays, and the `exec()` system call. This property also has the unfortunate consequence of introducing all the complexities inherent in the possibility of failure into synchronization primitives, often in a developer-visible manner.
2. Another interesting property of TM, noted by Shpeisman et al. [SATG<sup>+</sup>09], is that TM intertwines the synchronization with the data it protects. This property underlies TM’s issues with I/O, memory-mapping operations, extra-transactional accesses, and debugging breakpoints. In contrast, conventional synchronization





Figure 16.8: The STM Vision

primitives, including locking and RCU, maintain a clear separation between the synchronization primitives and the data that they protect.

3. One of the stated goals of many workers in the TM area is to ease parallelization of large sequential programs. As such, individual transactions are commonly expected to execute serially, which might do much to explain TM's issues with multithreaded transactions.

What should TM researchers and developers do about all of this?

One approach is to focus on TM in the small, focusing on situations where hardware assist potentially provides substantial advantages over other synchronization primitives. This is in fact the approach Sun took with its Rock research CPU [DLMN09]. Some TM researchers seem to agree with this approach, while others have much higher hopes for TM.

Of course, it is quite possible that TM will be able to take on larger problems, and this section lists a few of the issues that must be resolved if TM is to achieve this lofty goal.

Of course, everyone involved should treat this as a learning experience. It would seem that TM researchers have great deal to learn from practitioners who have successfully built large software systems using traditional synchronization primitives.

And vice versa.

But for the moment, the current state of STM can best be summarized with a series of cartoons. First, Figure 16.8 shows the STM vision. As always, the reality is a bit more nuanced, as fancifully depicted by Figures 16.9, 16.10, and 16.11.

Recent advances in commercially available hardware have opened the door for variants of HTM, which are addressed in the following section.



Figure 16.9: The STM Reality: Conflicts

## 16.3 Hardware Transactional Memory

As of early 2012, hardware transactional memory (HTM) is starting to emerge into commercially available commodity computer systems. This section makes a first attempt to find its place in the parallel programmer's toolbox.

From a conceptual viewpoint, HTM uses processor caches and speculative execution to make a designated group of statements (a "transaction") take effect atomically from the viewpoint of any other transactions running on other processors. This transaction is initiated by a begin-transaction machine instruction and completed by a commit-transaction machine instruction. There is typically also an abort-transaction machine instruction, which squashes the speculation (as if the begin-transaction instruction and all following instructions had not executed) and commences execution at a failure handler. The location of the failure handler is typically specified by the begin-transaction instruction, either as an explicit failure-handler address or via a condition code set by the instruction itself. Each transaction executes atomically with respect to all other transactions.

HTM has a number of important benefits, including automatic dynamic partitioning of data structures, reducing synchronization-primitive cache misses, and supporting a fair number of practical applications.

However, it always pays to read the fine print, and HTM is no exception. A major point of this section is determining under what conditions HTM's benefits outweigh the complications hidden in its fine print. To this end, Section 16.3.1 describes HTM's benefits and Section 16.3.2 describes its weaknesses. This is the same approach used in

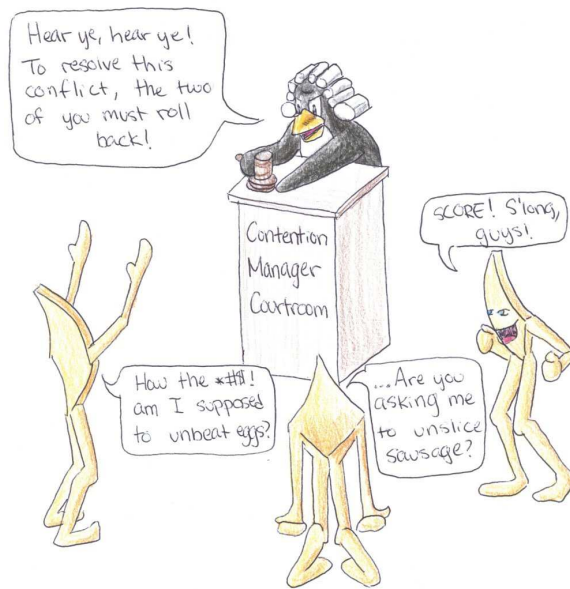


Figure 16.10: The STM Reality: Irrevocable Operations

earlier papers [MMW07, MMTW10], but focused on HTM rather than TM as a whole.<sup>7</sup>

Section 16.3.3 then describes HTM's weaknesses with respect to the combination of synchronization primitives used in the Linux kernel (and in some user-space applications). Section 16.3.4 looks at where HTM might best fit into the parallel programmer's toolbox, and Section 16.3.5 lists some events that might greatly increase HTM's scope and appeal. Finally, Section 16.3.6 presents concluding remarks.

### 16.3.1 HTM Benefits WRT to Locking

The primary benefits of HTM are (1) its avoidance of the cache misses that are often incurred by other synchronization primitives, (2) its ability to dynamically partition data structures, and (3) the fact that it has a fair number of practical applications. I break from TM tradition by not listing ease of use separately for two reasons. First, ease of use should stem from HTM's primary benefits, which this paper focuses on. Second, there has been considerable controversy surrounding attempts to test for raw programming talent [Bow06, DBA09] and even around the use of small programming exercises in job interviews [Bra07]. This indicates that we really do not have a grasp on what makes programming easy or hard. Therefore, this paper focuses on the three benefits listed above, each in one of the following sections.

#### 16.3.1.1 Avoiding Synchronization Cache Misses

Most synchronization mechanisms are based on data structures that are operated on by atomic instructions. Because these atomic instructions normally operate by first causing

<sup>7</sup> And I gratefully acknowledge many stimulating discussions with the other authors, Maged Michael, Josh Triplett, and Jonathan Walpole, as well as with Andi Kleen.



Figure 16.11: The STM Reality: Realtime Response

the relevant cache line to be owned by the CPU that they are running on, a subsequent execution of the same instance of that synchronization primitive on some other CPU will result in a cache miss. These communications cache misses severely degrade both the performance and scalability of conventional synchronization mechanisms [ABD<sup>+</sup>97, Section 4.2.3].

In contrast, HTM synchronizes by using the CPU's cache, avoiding the need for a synchronization data structure and resultant cache misses. HTM's advantage is greatest in cases where a lock data structure is placed in a separate cache line, in which case, converting a given critical section to an HTM transaction can reduce that critical section's overhead by a full cache miss. This savings can be quite significant for the common case of short critical sections, at least for those situations where the elided lock does not share a cache line with a oft-written variable protected by that lock.

**Quick Quiz 16.2:** Why would it matter that oft-written variables shared the cache line with the lock variable? ■

### 16.3.1.2 Dynamic Partitioning of Data Structures

A major obstacle to the use of some conventional synchronization mechanisms is the need to statically partition data structures. There are a number of data structures that are trivially partitionable, with the most prominent example being hash tables, where each hash chain constitutes a partition. Allocating a lock for each hash chain then trivially parallelizes the hash table for operations confined to a given chain.<sup>8</sup> Partitioning is similarly trivial for arrays, radix trees, and a few other data structures.

However, partitioning for many types of trees and graphs is quite difficult, and the

<sup>8</sup> And it is also easy to extend this scheme to operations accessing multiple hash chains by having such operations acquire the locks for all relevant chains in hash order.

results are often quite complex [Eli80]. Although it is possible to use two-phased locking and hashed arrays of locks to partition general data structures, other techniques have proven preferable [Mil06], as will be discussed in Section 16.3.3. Given its avoidance of synchronization cache misses, HTM is therefore a very real possibility for large non-partitionable data structures, at least assuming relatively small updates.

**Quick Quiz 16.3:** Why are relatively small updates important to HTM performance and scalability? ■

### 16.3.1.3 Practical Value

Some evidence of HTM's practical value has been demonstrated in a number of hardware platforms, including Sun Rock [DLMN09] and Azul Vega [Cli09]. It is reasonable to assume that practical benefits will flow from the more recent IBM Blue Gene/Q, Intel Haswell TSX, and AMD AFS systems.

Expected practical benefits include:

1. Lock elision for in-memory data access and update [MT01, RG02].
2. Concurrent access and small random updates to large non-partitionable data structures.

However, HTM also has some very real shortcomings, which will be discussed in the next section.

## 16.3.2 HTM Weaknesses WRT Locking

The concept of HTM is quite simple: A group of accesses and updates to memory occur atomically. However, as is the case with many simple ideas, complications arise when you apply it to real systems in the real world. These complications are as follows:

1. Transaction-size limitations.
2. Conflict handling.
3. Aborts and rollbacks.
4. Lack of forward-progress guarantees.
5. Irrevocable operations.
6. Semantic differences.

Each of these complications is covered in the following sections, followed by a summary.

### 16.3.2.1 Transaction-Size Limitations

The transaction-size limitations of current HTM implementations stem from the use of the processor caches to hold the data affected by the transaction. Although this allows a given CPU to make the transaction appear atomic to other CPUs by executing the transaction within the confines of its cache, it also means that any transaction that does not fit must be aborted. Furthermore, events that change execution context, such as interrupts, system calls, exceptions, traps, and context switches either must abort any

ongoing transaction on the CPU in question or must further restrict transaction size due to the cache footprint of the other execution context.

Of course, modern CPUs tend to have large caches, and the data required for many transactions would fit easily in a one-megabyte cache. Unfortunately, with caches, sheer size is not all that matters. The problem is that most caches can be thought of hash tables implemented in hardware. However, hardware caches do not chain their buckets (which are normally called *sets*), but rather provide a fixed number of cachelines per set. The number of elements provided for each set in a given cache is termed that cache's *associativity*.

Although cache associativity varies, the eight-way associativity of the level-0 cache on the laptop I am typing this on is not unusual. What this means is that if a given transaction needed to touch nine cache lines, and if all nine cache lines mapped to the same set, then that transaction cannot possibly complete, never mind how many megabytes of additional space might be available in that cache. Yes, given randomly selected data elements in a given data structure, the probability of that transaction being able to commit is quite high, but there can be no guarantee.

There has been some research work to alleviate this limitation. Fully associative *victim caches* would alleviate the associativity constraints, but there are currently stringent performance and energy-efficiency constraints on the sizes of victim caches. That said, HTM victim caches for unmodified cache lines can be quite small, as they need to retain only the address: The data itself can be written to memory or shadowed by other caches, while the address itself is sufficient to detect a conflicting write [RD12].

*Unbounded transactional memory* (UTM) schemes [AAKL06, MBM<sup>+</sup>06] use DRAM as an extremely large victim cache, but integrating such schemes into a production-quality cache-coherence mechanism is still an unsolved problem. In addition, use of DRAM as a victim cache may have unfortunate performance and energy-efficiency consequences, particularly if the victim cache is to be fully associative. Finally, the “unbounded” aspect of UTM assumes that all of DRAM could be used as a victim cache, while in reality the large but still fixed amount of DRAM assigned to a given CPU would limit the size of that CPU's transactions. Other schemes use a combination of hardware and software transactional memory [KCH<sup>+</sup>06] and one could imagine using STM as a fallback mechanism for HTM.

However, to the best of my knowledge, currently available systems do not implement any of these research ideas, and perhaps for good reason.

### 16.3.2.2 Conflict Handling

The first complication is the possibility of *conflicts*. For example, suppose that transactions A and B are defined as follows:

Transaction A	Transaction B
<code>x = 1;</code>	<code>y = 2;</code>
<code>y = 3;</code>	<code>x = 4;</code>

Suppose that each transaction executes concurrently on its own processor. If transaction A stores to `x` at the same time that transaction B stores to `y`, neither transaction can progress. To see this, suppose that transaction A executes its store to `y`. Then transaction A will be interleaved within transaction B, in violation of the requirement that transactions execute atomically with respect to each other. Allowing transaction B to execute its store to `x` similarly violates the atomic-execution requirement. This situation

is termed a *conflict*, which happens whenever two concurrent transactions access the same variable where at least one of the accesses is a store. The system is therefore obligated to abort one or both of the transactions in order to allow execution to progress. The choice of exactly which transaction to abort is an interesting topic that will very likely retain the ability to generate Ph.D. dissertations for some time to come, see for example [ATC<sup>+</sup>11].<sup>9</sup> For the purposes of this section, we can assume that the system makes a random choice.

Another complication is conflict detection, which is comparatively straightforward, at least in the simplest case. When a processor is executing a transaction, it marks every cache line touched by that transaction. If the processor's cache receives a request involving a cache line that has been marked as touched by the current transaction, a potential conflict has occurred. More sophisticated systems might try to order the current processors' transaction to precede that of the processor sending the request, and optimization of this process will likely also retain the ability to generate Ph.D. dissertations for quite some time. However this section assumes a very simple conflict-detection strategy.

However, for HTM to work effectively, the probability of conflict must be suitably low, which in turn requires that the data structures be organized so as to maintain a sufficiently low probability of conflict. For example, a red-black tree with simple insertion, deletion, and search operations fits this description, but a red-black tree that maintains an accurate count of the number of elements in the tree does not.<sup>10</sup> For another example, a red-black tree that enumerates all elements in the tree in a single transaction will have high conflict probabilities, degrading performance and scalability. As a result, many serial programs will require some restructuring before HTM can work effectively. In some cases, practitioners will prefer to take the extra steps (in the red-black-tree case, perhaps switching to a partitionable data structure such as a radix tree or a hash table), and just use locking, particularly during the time before HTM is readily available on all relevant architectures [Cli09].

**Quick Quiz 16.4:** How could a red-black tree possibly efficiently enumerate all elements of the tree regardless of choice of synchronization mechanism??? ■

Furthermore, the fact that conflicts can occur brings failure handling into the picture, as discussed in the next section.

### 16.3.2.3 Aborts and Rollbacks

Because any transaction might be aborted at any time, it is important that transactions contain no statements that cannot be rolled back. This means that transactions cannot do I/O, system calls, or debugging breakpoints (no single stepping in the debugger for HTM transactions!!!). Instead, transactions must confine themselves to accessing normal cached memory. Furthermore, on some systems, interrupts, exceptions, traps, TLB misses, and other events will also abort transactions. Given the number of bugs that have resulted from improper handling of error conditions, it is fair to ask what impact aborts and rollbacks have on ease of use.

**Quick Quiz 16.5:** But why can't a debugger emulate single stepping by setting breakpoints at successive lines of the transaction, relying on the retry to retrace the steps of the earlier instances of the transaction? ■

<sup>9</sup> Liu's and Spear's paper entitled "Toxic Transactions" [LS11] is particularly instructive in this regard.

<sup>10</sup> The need to update the count would result in additions to and deletions from the tree conflicting with each other, resulting in strong non-commutativity [AGH<sup>+</sup>11a, AGH<sup>+</sup>11b, McK11b].

Of course, aborts and rollbacks raise the question of whether HTM can be useful for hard realtime systems. Do the performance benefits of HTM outweigh the costs of the aborts and rollbacks, and if so under what conditions? Can transactions use priority boosting? Or should transactions for high-priority threads instead preferentially abort those of low-priority threads? If so, how is the hardware efficiently informed of priorities? The literature on realtime use of HTM is quite sparse, perhaps because researchers are finding more than enough problems in getting transactions to work well in non-realtime environments.

Because current HTM implementations might deterministically abort a given transaction, software must provide fallback code. This fallback code must use some other form of synchronization, for example, locking. If the fallback is used frequently, then all the limitations of locking, including the possibility of deadlock, reappear. One can of course hope that the fallback isn't used often, which might allow simpler and less deadlock-prone locking designs to be used. But this raises the question of how the system transitions from using the lock-based fallbacks back to transactions.<sup>11</sup> One approach is to use a test-and-test-and-set discipline [MT02], so that everyone holds off until the lock is released, allowing the system to start from a clean slate in transactional mode at that point. However, this could result in quite a bit of spinning, which might not be wise if the lock holder has blocked or been preempted. Another approach is to allow transactions to proceed in parallel with a thread holding a lock [MT02], but this raises difficulties in maintaining atomicity, especially if the reason that the thread is holding the lock is because the corresponding transaction would not fit into cache.

Finally, dealing with the possibility of aborts and rollbacks seems to put an additional burden on the developer, who must correctly handle all combinations of possible error conditions.

It is clear that users of HTM must put considerable validation effort into testing both the fallback code paths and transition from fallback code back to transactional code.

#### 16.3.2.4 Lack of Forward-Progress Guarantees

Even though transaction size, conflicts, and aborts/rollbacks can all cause transactions to abort, one might hope that sufficiently small and short-duration transactions could be guaranteed to eventually succeed. This would permit a transaction to be unconditionally retried, in the same way that compare-and-swap (CAS) and load-linked/store-conditional (LL/SC) operations are unconditionally retried in code that uses these instructions to implement atomic operation.

Unfortunately, most currently available HTM implementation refuse to make any sort of forward-progress guarantee, which means that HTM cannot be used to avoid deadlock on those systems.<sup>12</sup> Hopefully future implementations of HTM will provide some sort of forward-progress guarantees. Until that time, HTM must be used with extreme caution in real-time applications.<sup>13</sup>

The one exception to this gloomy picture as of 2013 is upcoming versions of the IBM mainframe, which provides a separate instruction that may be used to start a special

---

<sup>11</sup> The possibility of an application getting stuck in fallback mode has been termed the “lemming effect”, a term that Dave Dice has been credited with coining.

<sup>12</sup> HTM might well be used to reduce the probability of deadlock, but as long as there is some possibility of the fallback code being executed, there is some possibility of deadlock.

<sup>13</sup> As of mid-2012, there has been surprisingly little work on transactional memory's real-time characteristics.



*constrained transaction* [JSG12]. As you might guess from the name, such transactions must live within the following constraints:

1. Each transaction's data footprint must be contained within four 32-byte blocks of memory.
2. Each transaction is permitted to execute at most 32 assembler instructions.
3. Transactions are not permitted to have backwards branches (e.g., no loops).
4. Each transaction's code is limited to 256 bytes of memory.
5. If a portion of a given transaction's data footprint resides within a given 4K page, then that 4K page is prohibited from containing any of that transaction's instructions.

These constraints are severe, but nevertheless permit a wide variety of data-structure updates to be implemented, including stacks, queues, hash tables, and so on. These operations are guaranteed to eventually complete, and are free of deadlock and livelock conditions.

It will be interesting to see how hardware support of forward-progress guarantees evolves over time.

#### **16.3.2.5 Non-Idempotent Operations**

Another consequence of aborts and rollbacks is that HTM transactions cannot accommodate irrevocable operations. Current HTM implementations typically enforce this limitation by requiring that all of the accesses in the transaction be to cacheable memory (thus prohibiting MMIO accesses) and aborting transactions on interrupts, traps, and exceptions (thus prohibiting system calls).

Note that buffered I/O can be accommodated by HTM transactions as long as the buffer fill/flush operations occur extra-transactionally. The reason that this works is that adding data to and removing data from the buffer is revocable: Only the actual buffer fill/flush operations are irrevocable. Of course, this buffered-I/O approach has the effect of including the I/O in the transaction's footprint, increasing the size of the transaction and thus increasing the probability of failure.

#### **16.3.2.6 Semantic Differences**

Although HTM can in many cases be used as a drop-in replacement for locking (hence the name transactional lock elision [DHL<sup>+</sup>08]), there are subtle differences in semantics. A particularly nasty example involving coordinated lock-based critical sections that results in deadlock or livelock when executed transactionally was given by Blundell [BLM06], but a much simpler example is the empty critical section.

In a lock-based program, an empty critical section will guarantee that all processes that had previously been holding that lock have now released it. This idiom was used by the 2.4 Linux kernel's networking stack to coordinate changes in configuration. But if this empty critical section is translated to a transaction, the result is a no-op. The guarantee that all prior critical sections have terminated is lost. In other words,

```

1 void boostee(void)
2 {
3     int i = 0;
4
5     acquire_lock(&boost_lock[i]);
6     for (;;) {
7         acquire_lock(&boost_lock[!i]);
8         release_lock(&boost_lock[i]);
9         i = i ^ 1;
10        do_something();
11    }
12 }
13
14 void booster(void)
15 {
16     int i = 0;
17
18     for (;;) {
19         usleep(1000); /* sleep 1 ms. */
20         acquire_lock(&boost_lock[i]);
21         release_lock(&boost_lock[i]);
22         i = i ^ 1;
23     }
24 }

```

Figure 16.12: Exploiting Priority Boosting

transactional lock elision preserves the data-protection semantics of locking, but loses locking’s time-based messaging semantics.

**Quick Quiz 16.6:** But why would *anyone* need an empty lock-based critical section???

**Quick Quiz 16.7:** Can’t transactional lock elision trivially handle locking’s time-based messaging semantics by simply choosing not to elide empty lock-based critical sections?

**Quick Quiz 16.8:** Given modern hardware [MOZ09], how can anyone possibly expect parallel software relying on timing to work?

One important semantic difference between locking and transactions is the priority boosting that is used to avoid priority inversion in lock-based real-time programs. One way in which priority inversion can occur is when a low-priority thread holding a lock is preempted by a medium-priority CPU-bound thread. If there is at least one such medium-priority thread per CPU, the low-priority thread will never get a chance to run. If a high-priority thread now attempts to acquire the lock, it will block. It cannot acquire the lock until the low-priority thread releases it, the low-priority thread cannot release the lock until it gets a chance to run, and it cannot get a chance to run until one of the medium-priority threads gives up its CPU. Therefore, the medium-priority threads are in effect blocking the high-priority process, which is the rationale for the name “priority inversion.”

One way to avoid priority inversion is *priority inheritance*, in which a high-priority thread blocked on a lock temporarily donates its priority to the lock’s holder, which is also called *priority boosting*. However, priority boosting can be used for things other than avoiding priority inversion, as shown in Figure 16.12. Lines 1-12 of this figure show a low-priority process that must nevertheless run every millisecond or so, while lines 14-24 of this same figure show a high-priority process that uses priority boosting to ensure that `boostee()` runs periodically as needed.

The `boostee()` function arranges this by always holding one of the two `boost_`

lock[] locks, so that lines 20-21 of `boostee()` can boost priority as needed.

**Quick Quiz 16.9:** But the `boostee()` function in Figure 16.12 alternatively acquires its locks in reverse order! Won't this result in deadlock? ■

This arrangement requires that `boostee()` acquire its first lock on line 5 before the system becomes busy, but this is easily arranged, even on modern hardware.

Unfortunately, this arrangement can break down in presence of transactional lock elision. The `boostee()` function's overlapping critical sections become one infinite transaction, which will sooner or later abort, for example, on the first time that the thread running the `boostee()` function is preempted. At this point, `boostee()` will fall back to locking, but given its low priority and that the quiet initialization period is now complete (which after all is why `boostee()` was preempted), this thread might never again get a chance to run.

And if the `boostee()` thread is not holding the lock, then the `boostee()` thread's empty critical section on lines 20 and 21 of Figure 16.12 will become an empty transaction that has no effect, so that `boostee()` never runs. This example illustrates some of the subtle consequences of transactional memory's rollback-and-retry semantics.

Given that experience will likely uncover additional subtle semantic differences, application of HTM-based lock elision to large programs should be undertaken with caution.

### 16.3.2.7 Summary

Although it seems likely that HTM will have compelling use cases, current implementations have serious transaction-size limitations, conflict-handling complications, abort-and-rollback issues, and semantic differences that will require careful handling. HTM's current situation relative to locking is summarized in Table 16.1. As can be seen, although the current state of HTM alleviates some serious shortcomings of locking,<sup>14</sup> it does so by introducing a significant number of shortcomings of its own. These shortcomings are acknowledged by leaders in the TM community [MS12].<sup>15</sup>

In addition, this is not the whole story. Locking is not normally used by itself, but is instead typically augmented by other synchronization mechanisms, including reference counting, atomic operations, non-blocking data structures, hazard pointers [Mic04, HLM02], and read-copy update (RCU) [MS98a, MAK<sup>+</sup>01, HMBW07, McK12b]. The next section looks at how such augmentation changes the equation.

### 16.3.3 HTM Weaknesses WRT to Locking When Augmented

Practitioners have long used reference counting, atomic operations, non-blocking data structures, hazard pointers, and RCU to avoid some of the shortcomings of locking. For example, deadlock can be avoided in many cases by using reference counts, hazard pointers, or RCU to protect data structures, particularly for read-only critical sections [Mic04, HLM02, DMS<sup>+</sup>12, GMTW08, HMBW07]. These approaches

<sup>14</sup> In fairness, it is important to emphasize that locking's shortcomings do have well-known and heavily used engineering solutions, including deadlock detectors [Cor06a], a wealth of data structures that have been adapted to locking, and a long history of augmentation, as discussed in Section 16.3.3. In addition, if locking really were as horrible as a quick skim of many academic papers might reasonably lead one to believe, where did all the large lock-based parallel programs (both FOSS and proprietary) come from, anyway?

<sup>15</sup> In addition, in early 2011, I was invited to deliver a critique of some of the assumptions underlying transactional memory [McK11d]. The audience was surprisingly non-hostile, though perhaps they were taking it easy on me due to the fact that I was heavily jet-lagged while giving the presentation.

	Locking		Hardware Transactional Memory	
Basic Idea		Allow only one thread at a time to access a given set of objects.		Cause a given operation over a set of objects to execute atomically.
Scope	+	Handles all operations.	+	Handles revocable operations.
			-	Irrevocable operations force fallback (typically to locking).
Composability	⇓	Limited by deadlock.	⇓	Limited by irrevocable operations, transaction size, and deadlock (assuming lock-based fallback code).
Scalability & Performance	-	Data must be partitionable to avoid lock contention.	-	Data must be partitionable to avoid conflicts.
	⇓	Partitioning must typically be fixed at design time.	+	Dynamic adjustment of partitioning carried out automatically down to cacheline boundaries.
			-	Partitioning required for fallbacks (less important for rare fallbacks).
	⇓	Locking primitives typically result in expensive cache misses and memory-barrier instructions.	-	Transactions begin/end instructions typically do not result in cache misses, but do have memory-ordering consequences.
	+	Contention effects are focused on acquisition and release, so that the critical section runs at full speed.	-	Contention aborts conflicting transactions, even if they have been running for a long time.
	+	Privatization operations are simple, intuitive, performant, and scalable.	-	Privatized data contributes to transaction size.
Hardware Support	+	Commodity hardware suffices.	-	New hardware required (and is starting to become available).
	+	Performance is insensitive to cache-geometry details.	-	Performance depends critically on cache geometry.
Software Support	+	APIs exist, large body of code and experience, debuggers operate naturally.	-	APIs emerging, little experience outside of DBMS, breakpoints mid-transaction can be problematic.
Interaction With Other Mechanisms	+	Long experience of successful interaction.	⇓	Just beginning investigation of interaction.
Practical Apps	+	Yes.	+	Yes.
Wide Applicability	+	Yes.	-	Jury still out, but likely to win significant use.

Table 16.1: Comparison of Locking and HTM (“+” is Advantage, “-” is Disadvantage, “⇓” is Strong Disadvantage)

	Locking with RCU or Hazard Pointers		Hardware Transactional Memory	
Basic Idea	Allow only one thread at a time to access a given set of objects.		Cause a given operation over a set of objects to execute atomically.	
Scope	+	Handles all operations.	+	Handles revocable operations.
			-	Irrevocable operations force fallback (typically to locking).
Composability	+	Readers limited only by grace-period-wait operations.	⇓	Limited by irrevocable operations, transaction size, and deadlock. (Assuming lock-based fallback code.)
	-	Updaters limited by deadlock. Readers reduce deadlock.		
Scalability & Performance	-	Data must be partitionable to avoid lock contention among updaters.	-	Data must be partitionable to avoid conflicts.
	+	Partitioning not needed for readers.		
	⇓	Partitioning for updaters must typically be fixed at design time.	+	Dynamic adjustment of partitioning carried out automatically down to cacheline boundaries.
	+	Partitioning not needed for readers.	-	Partitioning required for fallbacks (less important for rare fallbacks).
	⇓	Updater locking primitives typically result in expensive cache misses and memory-barrier instructions.	-	Transactions begin/end instructions typically do not result in cache misses, but do have memory-ordering consequences.
	+	Update-side contention effects are focused on acquisition and release, so that the critical section runs at full speed.	-	Contention aborts conflicting transactions, even if they have been running for a long time.
	+	Readers do not contend with updaters or with each other.		
	+	Read-side primitives are typically wait-free with low overhead. (Lock-free for hazard pointers.)	-	Read-only transactions subject to conflicts and rollbacks. No forward-progress guarantees other than those supplied by fallback code.
	+	Privatization operations are simple, intuitive, performant, and scalable when data is visible only to updaters.	-	Privatized data contributes to transaction size.
	-	Privitization operations are expensive (though still intuitive and scalable) for reader-visible data.		
Hardware Support	+	Commodity hardware suffices.	-	New hardware required (and is starting to become available).
	+	Performance is insensitive to cache-geometry details.	-	Performance depends critically on cache geometry.
Software Support	+	APIs exist, large body of code and experience, debuggers operate naturally.	-	APIs emerging, little experience outside of DBMS, breakpoints mid-transaction can be problematic.
Interaction With Other Mechanisms	+	Long experience of successful interaction.	⇓	Just beginning investigation of interaction.
Practical Apps	+	Yes.	+	Yes.
Wide Applicability	+	Yes.	-	Jury still out, but likely to win significant use.

Table 16.2: Comparison of Locking (Augmented by RCU or Hazard Pointers) and HTM (“+” is Advantage, “-” is Disadvantage, “⇓” is Strong Disadvantage)

also reduce the need to partition data structures [McK12a]. RCU further provides contention-free wait-free read-side primitives [DMS<sup>+</sup>12]. Adding these considerations to Table 16.1 results in the updated comparison between augmented locking and HTM shown in Table 16.2. A summary of the differences between the two tables is as follows:

1. Use of non-blocking read-side mechanisms alleviates deadlock issues.
2. Read-side mechanisms such as hazard pointers and RCU can operate efficiently on non-partitionable data.
3. Hazard pointers and RCU do not contend with each other or with updaters, allowing excellent performance and scalability for read-mostly workloads.
4. Hazard pointers and RCU provide forward-progress guarantees (lock freedom and wait-freedom, respectively).
5. Privatization operations for hazard pointers and RCU are straightforward.

Of course, it is also possible to augment HTM, as discussed in the next section.

### 16.3.4 Where Does HTM Best Fit In?

Although it will likely be some time before HTM's area of applicability can be as crisply delineated as that shown for RCU in Figure 9.34 on page 201, that is no reason not to start moving in that direction.

HTM seems best suited to update-heavy workloads involving relatively small changes to disparate portions of a relatively large in-memory data structures running on large multiprocessors, as this meets the size restrictions of current HTM implementations while minimizing the probability of conflicts and attendant aborts and rollbacks. This scenario is also one that is relatively difficult to handle given current synchronization primitives.

Use of locking in conjunction with HTM seems likely to overcome HTM's difficulties with irrevocable operations, while use of RCU or hazard pointers might alleviate HTM's transaction-size limitations for read-only operations that traverse large fractions of the data structure. Current HTM implementations unconditionally abort an update transaction that conflicts with an RCU or hazard-pointer reader, but perhaps future HTM implementations will interoperate more smoothly with these synchronization mechanisms. In the meantime, the probability of an update conflicting with a large RCU or hazard-pointer read-side critical section should be much smaller than the probability of conflicting with the equivalent read-only transaction.<sup>16</sup> Nevertheless, it is quite possible that a steady stream of RCU or hazard-pointer readers might starve updaters due to a corresponding steady stream of conflicts. This vulnerability could be eliminated (perhaps at significant hardware cost and complexity) by giving extra-transactional reads the pre-transaction copy of the memory location being loaded.

The fact that HTM transactions must have fallbacks might in some cases force static partitionability of data structures back onto HTM. This limitation might be alleviated if future HTM implementations provide forward-progress guarantees, which might eliminate the need for fallback code in some cases, which in turn might allow HTM to be used efficiently in situations with higher conflict probabilities.

---

<sup>16</sup> It is quite ironic that strictly transactional mechanisms are appearing in shared-memory systems at just about the time that NoSQL databases are relaxing the traditional database-application reliance on strict transactions.

In short, although HTM is likely to have important uses and applications, it is another tool in the parallel programmer's toolbox, not a replacement for the toolbox in its entirety.

### **16.3.5 Potential Game Changers**

Game changers that could greatly increase the need for HTM include the following:

1. Forward-progress guarantees.
2. Transaction-size increases.
3. Improved debugging support.
4. Weak atomicity.

These are expanded upon in the following sections.

#### **16.3.5.1 Forward-Progress Guarantees**

As was discussed in Section 16.3.2.4, current HTM implementations lack forward-progress guarantees, which requires that fallback software be available to handle HTM failures. Of course, it is easy to demand guarantees, but not always to easy to provide them. In the case of HTM, obstacles to guarantees can include cache size and associativity, TLB size and associativity, transaction duration and interrupt frequency, and scheduler implementation.

Cache size and associativity was discussed in Section 16.3.2.1, along with some research intended to work around current limitations. However, we HTM forward-progress guarantees would come with size limits, large though these limits might one day be. So why don't current HTM implementations provide forward-progress guarantees for small transactions, for example, limited to the associativity of the cache? One potential reason might be the need to deal with hardware failure. For example, a failing cache SRAM cell might be handled by deactivating the failing cell, thus reducing the associativity of the cache and therefore also the maximum size of transactions that can be guaranteed forward progress. Given that this would simply decrease the guaranteed transaction size, it seems likely that other reasons are at work. Perhaps providing forward progress guarantees on production-quality hardware is more difficult than one might think, an entirely plausible explanation given the difficulty of making forward-progress guarantees in software. Moving a problem from software to hardware does not necessarily make it easier to solve.

Given a physically tagged and indexed cache, it is not enough for the transaction to fit in the cache. Its address translations must also fit in the TLB. Any forward-progress guarantees must therefore also take TLB size and associativity into account.

Given that interrupts, traps, and exceptions abort transactions in current HTM implementations, it is necessary that the execution duration of a given transaction be shorter than the expected interval between interrupts. No matter how little data a given transaction touches, if it runs too long, it will be aborted. Therefore, any forward-progress guarantees must be conditioned not only on transaction size, but also on transaction duration.

Forward-progress guarantees depend critically on the ability to determine which of several conflicting transactions should be aborted. It is all too easy to imagine an endless

series of transactions, each aborting an earlier transaction only to itself be aborted by a later transactions, so that none of the transactions actually commit. The complexity of conflict handling is evidenced by the large number of HTM conflict-resolution policies that have been proposed [ATC<sup>+</sup>11, LS11]. Additional complications are introduced by extra-transactional accesses, as noted by Blundell [BLM06]. It is easy to blame the extra-transactional accesses for all of these problems, but the folly of this line of thinking is easily demonstrated by placing each of the extra-transactional accesses into its own single-access transaction. It is the pattern of accesses that is the issue, not whether or not they happen to be enclosed in a transaction.

Finally, any forward-progress guarantees for transactions also depend on the scheduler, which must let the thread executing the transaction run long enough to successfully commit.

So there are significant obstacles to HTM vendors offering forward-progress guarantees. However, the impact of any of them doing so would be enormous. It would mean that HTM transactions would no longer need software fallbacks, which would mean that HTM could finally deliver on the TM promise of deadlock elimination.

And as of late 2012, the IBM Mainframe announced an HTM implementation that includes *constrained transactions* in addition to the usual best-effort HTM implementation [JSG12]. A constrained transaction starts with the `tbeginc` instruction instead of the `tbegin` instruction that is used for best-effort transactions. Constrained transactions are guaranteed to always complete (eventually), so if a transaction aborts, rather than branching to a fallback path (as is done for best-effort transactions), the hardware instead restarts the transaction at the `tbeginc` instruction.

The Mainframe architects needed to take extreme measures to deliver on this forward-progress guarantee. If a given constrained transaction repeatedly fails, the CPU might disable branch prediction, force in-order execution, and even disable pipelining. If the repeated failures are due to high contention, the CPU might disable speculative fetches, introduce random delays, and even serialize execution of the conflicting CPUs. “Interesting” forward-progress scenarios involve as few as two CPUs or as many as one hundred CPUs. Perhaps these extreme measures provide some insight as to why other CPUs have thus far refrained from offering constrained transactions.

As the name implies, constrained transactions are in fact severely constrained:

1. The maximum data footprint is four blocks of memory, where each block can be no larger than 32 bytes.
2. The maximum code footprint is 256 bytes.
3. If a given 4K page contains a constrained transaction’s code, then that page may not contain that transaction’s data.
4. The maximum number of assembly instructions that may be executed is 32.
5. Backwards branches are forbidden.

Nevertheless, these constraints support a number of important data structures, including linked lists, stacks, queues, and arrays. Constrained HTM therefore seems likely to become an important tool in the parallel programmer’s toolbox.



### 16.3.5.2 Transaction-Size Increases

Forward-progress guarantees are important, but as we saw, they will be conditional guarantees based on transaction size and duration. It is important to note that even small-sized guarantees will be quite useful. For example, a guarantee of two cache lines is sufficient for a stack, queue, or dequeue. However, larger data structures require larger guarantees, for example, traversing a tree in order requires a guarantee equal to the number of nodes in the tree.

Therefore, increasing the size of the guarantee also increases the usefulness of HTM, thereby increasing the need for CPUs to either provide it or provide good-and-sufficient workarounds.

### 16.3.5.3 Improved Debugging Support

Another inhibitor to transaction size is the need to debug the transactions. The problem with current mechanisms is that a single-step exception aborts the enclosing transaction. There are a number of workarounds for this issue, including emulating the processor (slow!), substituting STM for HTM (slow and slightly different semantics!), playback techniques using repeated retries to emulate forward progress (strange failure modes!), and full support of debugging HTM transactions (complex!).

Should one of the HTM vendors produce an HTM system that allows straightforward use of classical debugging techniques within transactions, including breakpoints, single stepping, and print statements, this will make HTM much more compelling. Some transactional-memory researchers are starting to recognize this problem as of 2013, with at least one proposal involving hardware-assisted debugging facilities [GKP13]. Of course, this proposal depends on readily available hardware gaining such facilities.

### 16.3.5.4 Weak Atomicity

Given that HTM is likely to face some sort of size limitations for the foreseeable future, it will be necessary for HTM to interoperate smoothly with other mechanisms. HTM's interoperability with read-mostly mechanisms such as hazard pointers and RCU would be improved if extra-transactional reads did not unconditionally abort transactions with conflicting writes—instead, the read could simply be provided with the pre-transaction value. In this way, hazard pointers and RCU could be used to allow HTM to handle larger data structures and to reduce conflict probabilities.

This is not necessarily simple, however. The most straightforward way of implementing this requires an additional state in each cache line and on the bus, which is a non-trivial added expense. The benefit that goes along with this expense is permitting large-footprint readers without the risk of starving updaters due to continual conflicts.

## 16.3.6 Conclusions

Although current HTM implementations appear to be poised to deliver real benefits, they also have significant shortcomings. The most significant shortcomings appear to be limited transaction sizes, the need for conflict handling, the need for aborts and rollbacks, the lack of forward-progress guarantees, the inability to handle irrevocable operations, and subtle semantic differences from locking.

Some of these shortcomings might be alleviated in future implementations, but it appears that there will continue to be a strong need to make HTM work well with the many other types of synchronization mechanisms, as noted earlier [MMW07, MMTW10].

In short, current HTM implementations appear to be welcome and useful additions to the parallel programmer's toolbox, and much interesting and challenging work is required to make use of them. However, they cannot be considered to be a magic wand with which to wave away all parallel-programming problems.

## 16.4 Functional Programming for Parallelism

When I took my first-ever functional-programming class in the early 1980s, the professor asserted that the side-effect-free functional-programming style was well-suited to trivial parallelization and analysis. Thirty years later, this assertion remains, but mainstream production use of parallel functional languages is minimal, a state of affairs that might well stem from this professor's additional assertion that programs should neither maintain state nor do I/O. There is niche use of functional languages such as Erlang, and multithreaded support has been added to several other functional languages, but mainstream production usage remains the province of procedural languages such as C, C++, Java, and FORTRAN (usually augmented with OpenMP or MPI).

This situation naturally leads to the question "If analysis is the goal, why not transform the procedural language into a functional language before doing the analysis?" There are of course a number of objections to this approach, of which I list but three:

1. Procedural languages often make heavy use of global variables, which can be updated independently by different functions, or, worse yet, by multiple threads. Note that Haskell's *monads* were invented to deal with single-threaded global state, and that multi-threaded access to global state requires additional violence to the functional model.
2. Multithreaded procedural languages often use synchronization primitives such as locks, atomic operations, and transactions, which inflict added violence upon the functional model.
3. Procedural languages can *alias* function arguments, for example, by passing a pointer to the same structure via two different arguments to the same invocation of a given function. This can result in the function unknowingly updating that structure via two different (and possibly overlapping) code sequences, which greatly complicates analysis.

Of course, given the importance of global state, synchronization primitives, and aliasing, clever functional-programming experts have proposed any number of attempts to reconcile the function programming model to them, monads being but one case in point.

Another approach is to compile the parallel procedural program into a functional program, the use functional-programming tools to analyze the result. But it is possible to do much better than this, given that any real computation is a large finite-state machine with finite input that runs for a finite time interval. This means that any real program can be transformed into an expression, possibly albeit an impractically large one [DHK12].

However, a number of the low-level kernels of parallel algorithms transform into expressions that are small enough to fit easily into the memories of modern computers. If such an expression is coupled with an assertion, checking to see if the assertion would ever fire becomes a satisfiability problem. Even though satisfiability problems are NP-complete, they can often be solved in much less time than would be required to generate

the full state space. In addition, the solution time appears to be independent of the underlying memory model, so that algorithms running on weakly ordered systems can be checked just as quickly as they could on sequentially consistent systems [AKT13].

The general approach is to transform the program into single-static-assignment (SSA) form, so that each assignment to a variable creates a separate version of that variable. This applies to assignments from all the active threads, so that the resulting expression embodies all possible executions of the code in question. The addition of an assertion entails asking whether any combination of inputs and initial values can result in the assertion firing, which, as noted above, is exactly the satisfiability problem.

One possible objection is that it does not gracefully handle arbitrary looping constructs. However, in many cases, this can be handled by unrolling the loop a finite number of times. In addition, perhaps some loops will also prove amenable to collapse via inductive methods.

Another possible objection is that spinlocks involve arbitrarily long loops, and any finite unrolling would fail to capture the full behavior of the spinlock. It turns out that this objection is easily overcome. Instead of modeling a full spinlock, model a trylock that attempts to obtain the lock, and aborts if it fails to immediately do so. The assertion must then be crafted so as to avoid firing in cases where a spinlock aborted due to the lock not being immediately available. Because the logic expression is independent of time, all possible concurrency behaviors will be captured via this approach.

A final objection is that this technique is unlikely to be able to handle a full-sized software artifact such as the millions of lines of code making up the Linux kernel. This is likely the case, but the fact remains that exhaustive validation of each of the much smaller parallel primitives within the Linux kernel would be quite valuable. And in fact the researchers spearheading this approach have applied it to non-trivial real-world code, including the RCU implementation in the Linux kernel (albeit to verify one of the less-profound properties of RCU).

It remains to be seen how widely applicable this technique is, but it is one of the more interesting innovations in the field of formal verification. And it might be more well-received than the traditional advice of writing all programs in functional form.



## Appendix A

# Important Questions

The following sections discuss some important questions relating to SMP programming. Each section also shows how to *avoid* having to worry about the corresponding question, which can be extremely important if your goal is to simply get your SMP code working as quickly and painlessly as possible — which is an excellent goal, by the way!

Although the answers to these questions are often quite a bit less intuitive than they would be in a single-threaded setting, with a bit of work, they are not that difficult to understand. If you managed to master recursion, there is nothing in here that should pose an overwhelming challenge.

### A.1 What Does “After” Mean?

“After” is an intuitive, but surprisingly difficult concept. An important non-intuitive issue is that code can be delayed at any point for any amount of time. Consider a producing and a consuming thread that communicate using a global struct with a timestamp “t” and integer fields “a”, “b”, and “c”. The producer loops recording the current time (in seconds since 1970 in decimal), then updating the values of “a”, “b”, and “c”, as shown in Figure A.1. The consumer code loops, also recording the current time, but also copying the producer’s timestamp along with the fields “a”, “b”, and “c”, as shown in Figure A.2. At the end of the run, the consumer outputs a list of anomalous recordings, e.g., where time has appeared to go backwards.

**Quick Quiz A.1:** What SMP coding errors can you see in these examples? See `time.c` for full code. ■

One might intuitively expect that the difference between the producer and consumer timestamps would be quite small, as it should not take much time for the producer to record the timestamps or the values. An excerpt of some sample output on a dual-core 1GHz x86 is shown in Table A.1. Here, the “seq” column is the number of times through the loop, the “time” column is the time of the anomaly in seconds, the “delta” column is the number of seconds the consumer’s timestamp follows that of the producer (where a negative value indicates that the consumer has collected its timestamp before the producer did), and the columns labelled “a”, “b”, and “c” show the amount that these variables increased since the prior snapshot collected by the consumer.

Why is time going backwards? The number in parentheses is the difference in microseconds, with a large number exceeding 10 microseconds, and one exceeding even 100 microseconds! Please note that this CPU can potentially execute about more than

```

1 /* WARNING: BUGGY CODE. */
2 void *producer(void *ignored)
3 {
4     int i = 0;
5
6     producer_ready = 1;
7     while (!goflag)
8         sched_yield();
9     while (goflag) {
10        ss.t = dgettimeofday();
11        ss.a = ss.c + 1;
12        ss.b = ss.a + 1;
13        ss.c = ss.b + 1;
14        i++;
15    }
16    printf("producer exiting: %d samples\n", i);
17    producer_done = 1;
18    return (NULL);
19 }

```

Figure A.1: “After” Producer Function

seq	time (seconds)	delta	a	b	c
17563:	1152396.251585	(-16.928)	27	27	27
18004:	1152396.252581	(-12.875)	24	24	24
18163:	1152396.252955	(-19.073)	18	18	18
18765:	1152396.254449	(-148.773)	216	216	216
19863:	1152396.256960	(-6.914)	18	18	18
21644:	1152396.260959	(-5.960)	18	18	18
23408:	1152396.264957	(-20.027)	15	15	15

Table A.1: “After” Program Sample Output

100,000 instructions in that time.

One possible reason is given by the following sequence of events:

1. Consumer obtains timestamp (Figure A.2, line 13).
2. Consumer is preempted.
3. An arbitrary amount of time passes.
4. Producer obtains timestamp (Figure A.1, line 10).
5. Consumer starts running again, and picks up the producer’s timestamp (Figure A.2, line 14).

In this scenario, the producer’s timestamp might be an arbitrary amount of time after the consumer’s timestamp.

How do you avoid agonizing over the meaning of “after” in your SMP code?

Simply use SMP primitives as designed.

In this example, the easiest fix is to use locking, for example, acquire a lock in the producer before line 10 in Figure A.1 and in the consumer before line 13 in Figure A.2. This lock must also be released after line 13 in Figure A.1 and after line 17 in Figure A.2. These locks cause the code segments in line 10-13 of Figure A.1 and in line 13-17 of Figure A.2 to *exclude* each other, in other words, to run atomically with respect to each other. This is represented in Figure A.3: the locking prevents any of the boxes of code from overlapping in time, so that the consumer’s timestamp must be collected after the prior producer’s timestamp. The segments of code in each box in this figure are termed “critical sections”; only one such critical section may be executing at a given time.

```

1 /* WARNING: BUGGY CODE. */
2 void *consumer(void *ignored)
3 {
4     struct snapshot_consumer curssc;
5     int i = 0;
6     int j = 0;
7
8     consumer_ready = 1;
9     while (ss.t == 0.0) {
10         sched_yield();
11     }
12     while (goflag) {
13         curssc.tc = dgettimeofday();
14         curssc.t = ss.t;
15         curssc.a = ss.a;
16         curssc.b = ss.b;
17         curssc.c = ss.c;
18         curssc.sequence = curseq;
19         curssc.iserror = 0;
20         if ((curssc.t > curssc.tc) ||
21             modgreater(ssc[i].a, curssc.a) ||
22             modgreater(ssc[i].b, curssc.b) ||
23             modgreater(ssc[i].c, curssc.c) ||
24             modgreater(curssc.a, ssc[i].a + maxdelta) ||
25             modgreater(curssc.b, ssc[i].b + maxdelta) ||
26             modgreater(curssc.c, ssc[i].c + maxdelta)) {
27             i++;
28             curssc.iserror = 1;
29         } else if (ssc[i].iserror)
30             i++;
31         ssc[i] = curssc;
32         curseq++;
33         if (i + 1 >= NSNAPS)
34             break;
35     }
36     printf("consumer exited, collected %d items of %d\n",
37           i, curseq);
38     if (ssc[0].iserror)
39         printf("0/%d: %.6f %.6f (%.3f) %d %d %d\n",
40               ssc[0].sequence, ssc[j].t, ssc[j].tc,
41               (ssc[j].tc - ssc[j].t) * 1000000,
42               ssc[j].a, ssc[j].b, ssc[j].c);
43     for (j = 0; j <= i; j++)
44         if (ssc[j].iserror)
45             printf("%d: %.6f (%.3f) %d %d %d\n",
46                   ssc[j].sequence,
47                   ssc[j].t, (ssc[j].tc - ssc[j].t) * 1000000,
48                   ssc[j].a - ssc[j - 1].a,
49                   ssc[j].b - ssc[j - 1].b,
50                   ssc[j].c - ssc[j - 1].c);
51     consumer_done = 1;
52 }

```

Figure A.2: “After” Consumer Function

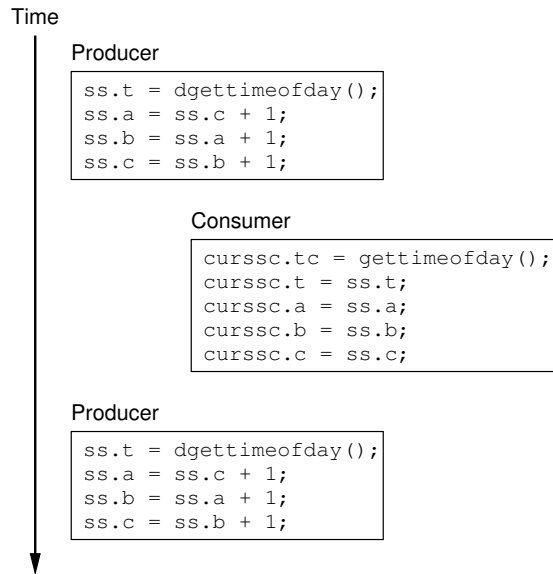


Figure A.3: Effect of Locking on Snapshot Collection

This addition of locking results in output as shown in Figure A.2. Here there are no instances of time going backwards, instead, there are only cases with more than 1,000 counts different between consecutive reads by the consumer.

seq	time (seconds)	delta	a	b	c
58597:	1156521.556296	(3.815)	1485	1485	1485
403927:	1156523.446636	(2.146)	2583	2583	2583

Table A.2: Locked “After” Program Sample Output

**Quick Quiz A.2:** How could there be such a large gap between successive consumer reads? See `timelocked.c` for full code. ■

In summary, if you acquire an exclusive lock, you *know* that anything you do while holding that lock will appear to happen after anything done by any prior holder of that lock. No need to worry about which CPU did or did not execute a memory barrier, no need to worry about the CPU or compiler reordering operations – life is simple. Of course, the fact that this locking prevents these two pieces of code from running concurrently might limit the program’s ability to gain increased performance on multiprocessors, possibly resulting in a “safe but slow” situation. Chapter 6 describes ways of gaining performance and scalability in many situations.

However, in most cases, if you find yourself worrying about what happens before or after a given piece of code, you should take this as a hint to make better use of the standard primitives. Let these primitives do the worrying for you.

## A.2 What Time Is It?

A key issue with timekeeping on multicore computer systems is illustrated by Figure A.4. One problem is that it takes time to read out the time. An instruction might read from a



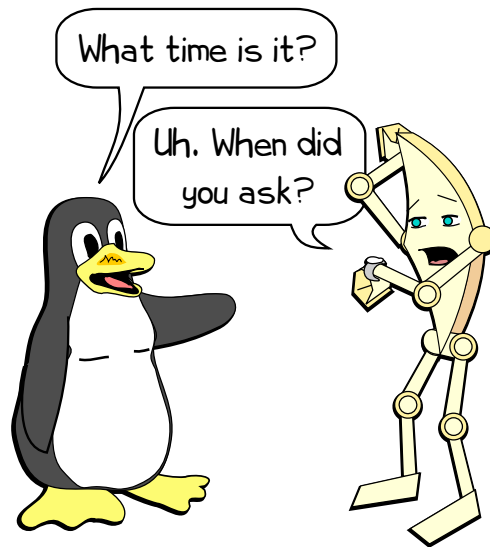


Figure A.4: What Time Is It?

hardware clock, and might have to go off-core (or worse yet, off-socket) to complete this read operation. It might also be necessary to do some computation on the value read out, for example, to convert it to the desired format, to apply network time protocol (NTP) adjustments, and so on. So does the time eventually returned correspond to the beginning of the resulting time interval, the end, or somewhere in between?

Worse yet, the thread reading the time might be interrupted or preempted. Furthermore, there will likely be some computation between reading out the time and the actual use of the time that has been read out. Both of these possibilities further extend the interval of uncertainty.

One approach is to read the time twice, and take the arithmetic mean of the two readings, perhaps one on each side of the operation being timestamped. The difference between the two readings is then a measure of uncertainty of the time at which the intervening operation occurred.

Of course, in many cases, the exact time is not necessary. For example, when printing the time for the benefit of a human user, we can rely on slow human reflexes to render internal hardware and software delays irrelevant. Similarly, if a server need to timestamp the response to a client, any time between the reception of the request and the transmission of the response will do equally well.



## Appendix B

# Synchronization Primitives

All but the simplest parallel programs require synchronization primitives. This appendix gives a quick overview of a set of primitives based loosely on those in the Linux kernel.

Why Linux? Because it is one of the well-known, largest, and easily obtained bodies of parallel code available. We believe that reading code is, if anything, more important to learning than is writing code, so by using examples similar to real code in the Linux kernel, we are enabling you to use Linux to continue your learning as you progress beyond the confines of this book.

Why based loosely rather than following the Linux kernel API exactly? First, the Linux API changes with time, so any attempt to track it exactly would likely end in total frustration for all involved. Second, many of the members of the Linux kernel API are specialized for use in a production-quality operating-system kernel. This specialization introduces complexities that, though absolutely necessary in the Linux kernel itself, are often more trouble than they are worth in the “toy” programs that we will be using to demonstrate SMP and realtime design principles and practices. For example, properly checking for error conditions such as memory exhaustion is a “must” in the Linux kernel, however, in “toy” programs it is perfectly acceptable to simply `abort()` the program, correct the problem, and rerun.

Finally, it should be possible to implement a trivial mapping layer between this API and most production-level APIs. A `pthread` implementation is available (`CodeSamples/api-pthreads/api-pthreads.h`), and a Linux-kernel-module API would not be difficult to create.

**Quick Quiz B.1:** Give an example of a parallel program that could be written without synchronization primitives. ■

The following sections describe commonly used classes of synchronization primitives.

Section B.1 covers organization/initialization primitives; Section B.2 presents thread creation, destruction, and control primitives; Section B.3 presents locking primitives; Section B.4 presents per-thread and per-CPU variable primitives; and Section B.5 gives an overview of the relative performance of the various primitives.

## B.1 Organization and Initialization

### B.1.1 `smp_init()`:

You must invoke `smp_init()` before invoking any other primitives.

## B.2 Thread Creation, Destruction, and Control

This API focuses on “threads”, which are a locus of control.<sup>1</sup> Each such thread has an identifier of type `thread_id_t`, and no two threads running at a given time will have the same identifier. Threads share everything except for per-thread local state,<sup>2</sup> which includes program counter and stack.

The thread API is shown in Figure B.1, and members are described in the following sections.

```
int smp_thread_id(void)
thread_id_t create_thread(void *(*func)(void *), void *arg)
for_each_thread(t)
for_each_running_thread(t)
void *wait_thread(thread_id_t tid)
void wait_all_threads(void)
```

Figure B.1: Thread API

### B.2.1 `create_thread()`

The `create_thread()` primitive creates a new thread, starting the new thread’s execution at the function `func` specified by `create_thread()`’s first argument, and passing it the argument specified by `create_thread()`’s second argument. This newly created thread will terminate when it returns from the starting function specified by `func`. The `create_thread()` primitive returns the `thread_id_t` corresponding to the newly created child thread.

This primitive will abort the program if more than `NR_THREADS` threads are created, counting the one implicitly created by running the program. `NR_THREADS` is a compile-time constant that may be modified, though some systems may have an upper bound for the allowable number of threads.

### B.2.2 `smp_thread_id()`

Because the `thread_id_t` returned from `create_thread()` is system-dependent, the `smp_thread_id()` primitive returns a thread index corresponding to the thread making the request. This index is guaranteed to be less than the maximum number of threads that have been in existence since the program started, and is therefore useful for bitmasks, array indices, and the like.

---

<sup>1</sup> There are many other names for similar software constructs, including “process”, “task”, “fiber”, “event”, and so on. Similar design principles apply to all of them.

<sup>2</sup> How is that for a circular definition?

### B.2.3 `for_each_thread()`

The `for_each_thread()` macro loops through all threads that exist, including all threads that *would* exist if created. This macro is useful for handling per-thread variables as will be seen in Section B.4.

### B.2.4 `for_each_running_thread()`

The `for_each_running_thread()` macro loops through only those threads that currently exist. It is the caller's responsibility to synchronize with thread creation and deletion if required.

### B.2.5 `wait_thread()`

The `wait_thread()` primitive waits for completion of the thread specified by the `thread_id_t` passed to it. This in no way interferes with the execution of the specified thread; instead, it merely waits for it. Note that `wait_thread()` returns the value that was returned by the corresponding thread.

### B.2.6 `wait_all_threads()`

The `wait_all_threads()` primitive waits for completion of all currently running threads. It is the caller's responsibility to synchronize with thread creation and deletion if required. However, this primitive is normally used to clean up and the end of a run, so such synchronization is normally not needed.

### B.2.7 Example Usage

Figure B.2 shows an example hello-world-like child thread. As noted earlier, each thread is allocated its own stack, so each thread has its own private `arg` argument and `myarg` variable. Each child simply prints its argument and its `smp_thread_id()` before exiting. Note that the `return` statement on line 7 terminates the thread, returning a `NULL` to whoever invokes `wait_thread()` on this thread.

```
1 void *thread_test(void *arg)
2 {
3     int myarg = (int)arg;
4
5     printf("child thread %d: smp_thread_id() = %d\n",
6           myarg, smp_thread_id());
7     return NULL;
8 }
```

Figure B.2: Example Child Thread

The parent program is shown in Figure B.3. It invokes `smp_init()` to initialize the threading system on line 6, parses arguments on lines 7-14, and announces its presence on line 15. It creates the specified number of child threads on lines 16-17, and waits for them to complete on line 18. Note that `wait_all_threads()` discards the threads return values, as in this case they are all `NULL`, which is not very interesting.

```

1 int main(int argc, char *argv[])
2 {
3     int i;
4     int nkids = 1;
5
6     smp_init();
7     if (argc > 1) {
8         nkids = strtoul(argv[1], NULL, 0);
9         if (nkids > NR_THREADS) {
10            fprintf(stderr, "nkids=%d too big, max=%d\n",
11                    nkids, NR_THREADS);
12            usage(argv[0]);
13        }
14    }
15    printf("Parent spawning %d threads.\n", nkids);
16    for (i = 0; i < nkids; i++)
17        create_thread(thread_test, (void *)i);
18    wait_all_threads();
19    printf("All threads completed.\n", nkids);
20    exit(0);
21 }

```

Figure B.3: Example Parent Thread

## B.3 Locking

The locking API is shown in Figure B.4, each API element being described in the following sections.

```

void spin_lock_init(spinlock_t *sp);
void spin_lock(spinlock_t *sp);
int spin_trylock(spinlock_t *sp);
void spin_unlock(spinlock_t *sp);

```

Figure B.4: Locking API

### B.3.1 spin\_lock\_init()

The `spin_lock_init()` primitive initializes the specified `spinlock_t` variable, and must be invoked before this variable is passed to any other spinlock primitive.

### B.3.2 spin\_lock()

The `spin_lock()` primitive acquires the specified spinlock, if necessary, waiting until the spinlock becomes available. In some environments, such as `pthread`s, this waiting will involve “spinning”, while in others, such as the Linux kernel, it will involve blocking.

The key point is that only one thread may hold a spinlock at any given time.

### B.3.3 spin\_trylock()

The `spin_trylock()` primitive acquires the specified spinlock, but only if it is immediately available. It returns `true` if it was able to acquire the spinlock and `false` otherwise.

### B.3.4 `spin_unlock()`

The `spin_unlock()` primitive releases the specified spinlock, allowing other threads to acquire it.

### B.3.5 Example Usage

A spinlock named `mutex` may be used to protect a variable `counter` as follows:

```
spin_lock(&mutex);
counter++;
spin_unlock(&mutex);
```

**Quick Quiz B.2:** What problems could occur if the variable `counter` were incremented without the protection of `mutex`? ■

However, the `spin_lock()` and `spin_unlock()` primitives do have performance consequences, as will be seen in Section B.5.

## B.4 Per-Thread Variables

Figure B.5 shows the per-thread-variable API. This API provides the per-thread equivalent of global variables. Although this API is, strictly speaking, not necessary, it can greatly simplify coding.

```
DEFINE_PER_THREAD(type, name)
DECLARE_PER_THREAD(type, name)
per_thread(name, thread)
__get_thread_var(name)
init_per_thread(name, v)
```

Figure B.5: Per-Thread-Variable API

**Quick Quiz B.3:** How could you work around the lack of a per-thread-variable API on systems that do not provide it? ■

### B.4.1 `DEFINE_PER_THREAD()`

The `DEFINE_PER_THREAD()` primitive defines a per-thread variable. Unfortunately, it is not possible to provide an initializer in the way permitted by the Linux kernel's `DEFINE_PER_THREAD()` primitive, but there is an `init_per_thread()` primitive that permits easy runtime initialization.

### B.4.2 `DECLARE_PER_THREAD()`

The `DECLARE_PER_THREAD()` primitive is a declaration in the C sense, as opposed to a definition. Thus, a `DECLARE_PER_THREAD()` primitive may be used to access a per-thread variable defined in some other file.

### B.4.3 `per_thread()`

The `per_thread()` primitive accesses the specified thread's variable.

#### B.4.4 `__get_thread_var()`

The `__get_thread_var()` primitive accesses the current thread's variable.

#### B.4.5 `init_per_thread()`

The `init_per_thread()` primitive sets all threads' instances of the specified variable to the specified value.

#### B.4.6 Usage Example

Suppose that we have a counter that is incremented very frequently but read out quite rarely. As will become clear in Section B.5, it is helpful to implement such a counter using a per-thread variable. Such a variable can be defined as follows:

```
DEFINE_PER_THREAD(int, counter);
```

The counter must be initialized as follows:

```
init_per_thread(counter, 0);
```

A thread can increment its instance of this counter as follows:

```
__get_thread_var(counter)++;
```

The value of the counter is then the sum of its instances. A snapshot of the value of the counter can thus be collected as follows:

```
for_each_thread(i)
    sum += per_thread(counter, i);
```

Again, it is possible to gain a similar effect using other mechanisms, but per-thread variables combine convenience and high performance.

### B.5 Performance

It is instructive to compare the performance of the locked increment shown in Section B.3 to that of per-thread variables (see Section B.4), as well as to conventional increment (as in "counter++").

The difference in performance is quite large, to put it mildly. The purpose of this book is to help you write SMP programs, perhaps with realtime response, while avoiding such performance pitfalls. The next section starts this process by describing some of the reasons for this performance shortfall.



## Appendix C

# Why Memory Barriers?

So what possessed CPU designers to cause them to inflict memory barriers on poor unsuspecting SMP software designers?

In short, because reordering memory references allows much better performance, and so memory barriers are needed to force ordering in things like synchronization primitives whose correct operation depends on ordered memory references.

Getting a more detailed answer to this question requires a good understanding of how CPU caches work, and especially what is required to make caches really work well. The following sections:

1. present the structure of a cache,
2. describe how cache-coherency protocols ensure that CPUs agree on the value of each location in memory, and, finally,
3. outline how store buffers and invalidate queues help caches and cache-coherency protocols achieve high performance.

We will see that memory barriers are a necessary evil that is required to enable good performance and scalability, an evil that stems from the fact that CPUs are orders of magnitude faster than are both the interconnects between them and the memory they are attempting to access.

### C.1 Cache Structure

Modern CPUs are much faster than are modern memory systems. A 2006 CPU might be capable of executing ten instructions per nanosecond, but will require many tens of nanoseconds to fetch a data item from main memory. This disparity in speed — more than two orders of magnitude — has resulted in the multi-megabyte caches found on modern CPUs. These caches are associated with the CPUs as shown in Figure C.1, and can typically be accessed in a few cycles.<sup>1</sup>

Data flows among the CPUs' caches and memory in fixed-length blocks called “cache lines”, which are normally a power of two in size, ranging from 16 to 256 bytes.

---

<sup>1</sup> It is standard practice to use multiple levels of cache, with a small level-one cache close to the CPU with single-cycle access time, and a larger level-two cache with a longer access time, perhaps roughly ten clock cycles. Higher-performance CPUs often have three or even four levels of cache.

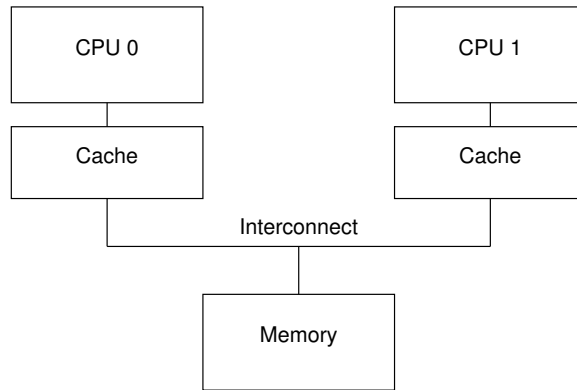


Figure C.1: Modern Computer System Cache Structure

When a given data item is first accessed by a given CPU, it will be absent from that CPU's cache, meaning that a "cache miss" (or, more specifically, a "startup" or "warmup" cache miss) has occurred. The cache miss means that the CPU will have to wait (or be "stalled") for hundreds of cycles while the item is fetched from memory. However, the item will be loaded into that CPU's cache, so that subsequent accesses will find it in the cache and therefore run at full speed.

After some time, the CPU's cache will fill, and subsequent misses will likely need to eject an item from the cache in order to make room for the newly fetched item. Such a cache miss is termed a "capacity miss", because it is caused by the cache's limited capacity. However, most caches can be forced to eject an old item to make room for a new item even when they are not yet full. This is due to the fact that large caches are implemented as hardware hash tables with fixed-size hash buckets (or "sets", as CPU designers call them) and no chaining, as shown in Figure C.2.

This cache has sixteen "sets" and two "ways" for a total of 32 "lines", each entry containing a single 256-byte "cache line", which is a 256-byte-aligned block of memory. This cache line size is a little on the large size, but makes the hexadecimal arithmetic much simpler. In hardware parlance, this is a two-way set-associative cache, and is analogous to a software hash table with sixteen buckets, where each bucket's hash chain is limited to at most two elements. The size (32 cache lines in this case) and the associativity (two in this case) are collectively called the cache's "geometry". Since this cache is implemented in hardware, the hash function is extremely simple: extract four bits from the memory address.

In Figure C.2, each box corresponds to a cache entry, which can contain a 256-byte cache line. However, a cache entry can be empty, as indicated by the empty boxes in the figure. The rest of the boxes are flagged with the memory address of the cache line that they contain. Since the cache lines must be 256-byte aligned, the low eight bits of each address are zero, and the choice of hardware hash function means that the next-higher four bits match the hash line number.

The situation depicted in the figure might arise if the program's code were located at address 0x43210E00 through 0x43210EFF, and this program accessed data sequentially from 0x12345000 through 0x12345EFF. Suppose that the program were now to access location 0x12345F00. This location hashes to line 0xF, and both ways of this line are empty, so the corresponding 256-byte line can be accommodated. If the program were

	Way 0	Way 1
0x0	0x12345000	
0x1	0x12345100	
0x2	0x12345200	
0x3	0x12345300	
0x4	0x12345400	
0x5	0x12345500	
0x6	0x12345600	
0x7	0x12345700	
0x8	0x12345800	
0x9	0x12345900	
0xA	0x12345A00	
0xB	0x12345B00	
0xC	0x12345C00	
0xD	0x12345D00	
0xE	0x12345E00	0x43210E00
0xF		

Figure C.2: CPU Cache Structure

to access location 0x1233000, which hashes to line 0x0, the corresponding 256-byte cache line can be accommodated in way 1. However, if the program were to access location 0x1233E00, which hashes to line 0xE, one of the existing lines must be ejected from the cache to make room for the new cache line. If this ejected line were accessed later, a cache miss would result. Such a cache miss is termed an “associativity miss”.

Thus far, we have been considering only cases where a CPU reads a data item. What happens when it does a write? Because it is important that all CPUs agree on the value of a given data item, before a given CPU writes to that data item, it must first cause it to be removed, or “invalidated”, from other CPUs’ caches. Once this invalidation has completed, the CPU may safely modify the data item. If the data item was present in this CPU’s cache, but was read-only, this process is termed a “write miss”. Once a given CPU has completed invalidating a given data item from other CPUs’ caches, that CPU may repeatedly write (and read) that data item.

Later, if one of the other CPUs attempts to access the data item, it will incur a cache miss, this time because the first CPU invalidated the item in order to write to it. This type of cache miss is termed a “communication miss”, since it is usually due to several CPUs using the data items to communicate (for example, a lock is a data item that is used to communicate among CPUs using a mutual-exclusion algorithm).

Clearly, much care must be taken to ensure that all CPUs maintain a coherent view of the data. With all this fetching, invalidating, and writing, it is easy to imagine data being lost or (perhaps worse) different CPUs having conflicting values for the same data item in their respective caches. These problems are prevented by “cache-coherency protocols”, described in the next section.

## C.2 Cache-Coherence Protocols

Cache-coherency protocols manage cache-line states so as to prevent inconsistent or lost data. These protocols can be quite complex, with many tens of states,<sup>2</sup> but for our

<sup>2</sup> See Culler et al. [CSG99] pages 670 and 671 for the nine-state and 26-state diagrams for SGI Origin2000 and Sequent (now IBM) NUMA-Q, respectively. Both diagrams are significantly simpler than real life.

purposes we need only concern ourselves with the four-state MESI cache-coherence protocol.

### **C.2.1 MESI States**

MESI stands for “modified”, “exclusive”, “shared”, and “invalid”, the four states a given cache line can take on using this protocol. Caches using this protocol therefore maintain a two-bit state “tag” on each cache line in addition to that line’s physical address and data.

A line in the “modified” state has been subject to a recent memory store from the corresponding CPU, and the corresponding memory is guaranteed not to appear in any other CPU’s cache. Cache lines in the “modified” state can thus be said to be “owned” by the CPU. Because this cache holds the only up-to-date copy of the data, this cache is ultimately responsible for either writing it back to memory or handing it off to some other cache, and must do so before reusing this line to hold other data.

The “exclusive” state is very similar to the “modified” state, the single exception being that the cache line has not yet been modified by the corresponding CPU, which in turn means that the copy of the cache line’s data that resides in memory is up-to-date. However, since the CPU can store to this line at any time, without consulting other CPUs, a line in the “exclusive” state can still be said to be owned by the corresponding CPU. That said, because the corresponding value in memory is up to date, this cache can discard this data without writing it back to memory or handing it off to some other CPU.

A line in the “shared” state might be replicated in at least one other CPU’s cache, so that this CPU is not permitted to store to the line without first consulting with other CPUs. As with the “exclusive” state, because the corresponding value in memory is up to date, this cache can discard this data without writing it back to memory or handing it off to some other CPU.

A line in the “invalid” state is empty, in other words, it holds no data. When new data enters the cache, it is placed into a cache line that was in the “invalid” state if possible. This approach is preferred because replacing a line in any other state could result in an expensive cache miss should the replaced line be referenced in the future.

Since all CPUs must maintain a coherent view of the data carried in the cache lines, the cache-coherence protocol provides messages that coordinate the movement of cache lines through the system.

### **C.2.2 MESI Protocol Messages**

Many of the transitions described in the previous section require communication among the CPUs. If the CPUs are on a single shared bus, the following messages suffice:

- **Read:** The “read” message contains the physical address of the cache line to be read.
- **Read Response:** The “read response” message contains the data requested by an earlier “read” message. This “read response” message might be supplied either by memory or by one of the other caches. For example, if one of the caches has the desired data in “modified” state, that cache must supply the “read response” message.

- Invalidate: The “invalidate” message contains the physical address of the cache line to be invalidated. All other caches must remove the corresponding data from their caches and respond.
- Invalidate Acknowledge: A CPU receiving an “invalidate” message must respond with an “invalidate acknowledge” message after removing the specified data from its cache.
- Read Invalidate: The “read invalidate” message contains the physical address of the cache line to be read, while at the same time directing other caches to remove the data. Hence, it is a combination of a “read” and an “invalidate”, as indicated by its name. A “read invalidate” message requires both a “read response” and a set of “invalidate acknowledge” messages in reply.
- Writeback: The “writeback” message contains both the address and the data to be written back to memory (and perhaps “snooped” into other CPUs’ caches along the way). This message permits caches to eject lines in the “modified” state as needed to make room for other data.

**Quick Quiz C.1:** Where does a writeback message originate from and where does it go to? ■

Interestingly enough, a shared-memory multiprocessor system really is a message-passing computer under the covers. This means that clusters of SMP machines that use distributed shared memory are using message passing to implement shared memory at two different levels of the system architecture.

**Quick Quiz C.2:** What happens if two CPUs attempt to invalidate the same cache line concurrently? ■

**Quick Quiz C.3:** When an “invalidate” message appears in a large multiprocessor, every CPU must give an “invalidate acknowledge” response. Wouldn’t the resulting “storm” of “invalidate acknowledge” responses totally saturate the system bus? ■

**Quick Quiz C.4:** If SMP machines are really using message passing anyway, why bother with SMP at all? ■

### C.2.3 MESI State Diagram

A given cache line’s state changes as protocol messages are sent and received, as shown in Figure C.3.

The transition arcs in this figure are as follows:

- Transition (a): A cache line is written back to memory, but the CPU retains it in its cache and further retains the right to modify it. This transition requires a “writeback” message.
- Transition (b): The CPU writes to the cache line that it already had exclusive access to. This transition does not require any messages to be sent or received.
- Transition (c): The CPU receives a “read invalidate” message for a cache line that it has modified. The CPU must invalidate its local copy, then respond with both a “read response” and an “invalidate acknowledge” message, both sending the data to the requesting CPU and indicating that it no longer has a local copy.

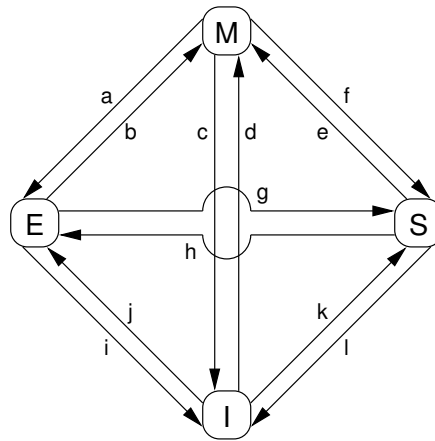


Figure C.3: MESI Cache-Coherency State Diagram

- Transition (d): The CPU does an atomic read-modify-write operation on a data item that was not present in its cache. It transmits a “read invalidate”, receiving the data via a “read response”. The CPU can complete the transition once it has also received a full set of “invalidate acknowledge” responses.
- Transition (e): The CPU does an atomic read-modify-write operation on a data item that was previously read-only in its cache. It must transmit “invalidate” messages, and must wait for a full set of “invalidate acknowledge” responses before completing the transition.
- Transition (f): Some other CPU reads the cache line, and it is supplied from this CPU’s cache, which retains a read-only copy, possibly also writing it back to memory. This transition is initiated by the reception of a “read” message, and this CPU responds with a “read response” message containing the requested data.
- Transition (g): Some other CPU reads a data item in this cache line, and it is supplied either from this CPU’s cache or from memory. In either case, this CPU retains a read-only copy. This transition is initiated by the reception of a “read” message, and this CPU responds with a “read response” message containing the requested data.
- Transition (h): This CPU realizes that it will soon need to write to some data item in this cache line, and thus transmits an “invalidate” message. The CPU cannot complete the transition until it receives a full set of “invalidate acknowledge” responses. Alternatively, all other CPUs eject this cache line from their caches via “writeback” messages (presumably to make room for other cache lines), so that this CPU is the last CPU caching it.
- Transition (i): Some other CPU does an atomic read-modify-write operation on a data item in a cache line held only in this CPU’s cache, so this CPU invalidates it from its cache. This transition is initiated by the reception of a “read invalidate” message, and this CPU responds with both a “read response” and an “invalidate acknowledge” message.

- Transition (j): This CPU does a store to a data item in a cache line that was not in its cache, and thus transmits a “read invalidate” message. The CPU cannot complete the transition until it receives the “read response” and a full set of “invalidate acknowledge” messages. The cache line will presumably transition to “modified” state via transition (b) as soon as the actual store completes.
- Transition (k): This CPU loads a data item in a cache line that was not in its cache. The CPU transmits a “read” message, and completes the transition upon receiving the corresponding “read response”.
- Transition (l): Some other CPU does a store to a data item in this cache line, but holds this cache line in read-only state due to its being held in other CPUs’ caches (such as the current CPU’s cache). This transition is initiated by the reception of an “invalidate” message, and this CPU responds with an “invalidate acknowledge” message.

**Quick Quiz C.5:** How does the hardware handle the delayed transitions described above? ■

### C.2.4 MESI Protocol Example

Let’s now look at this from the perspective of a cache line’s worth of data, initially residing in memory at address 0, as it travels through the various single-line direct-mapped caches in a four-CPU system. Table C.1 shows this flow of data, with the first column showing the sequence of operations, the second the CPU performing the operation, the third the operation being performed, the next four the state of each CPU’s cache line (memory address followed by MESI state), and the final two columns whether the corresponding memory contents are up to date (“V”) or not (“I”).

Initially, the CPU cache lines in which the data would reside are in the “invalid” state, and the data is valid in memory. When CPU 0 loads the data at address 0, it enters the “shared” state in CPU 0’s cache, and is still valid in memory. CPU 3 also loads the data at address 0, so that it is in the “shared” state in both CPUs’ caches, and is still valid in memory. Next CPU 0 loads some other cache line (at address 8), which forces the data at address 0 out of its cache via an invalidation, replacing it with the data at address 8. CPU 2 now does a load from address 0, but this CPU realizes that it will soon need to store to it, and so it uses a “read invalidate” message in order to gain an exclusive copy, invalidating it from CPU 3’s cache (though the copy in memory remains up to date). Next CPU 2 does its anticipated store, changing the state to “modified”. The copy of the data in memory is now out of date. CPU 1 does an atomic increment, using a “read invalidate” to snoop the data from CPU 2’s cache and invalidate it, so that the copy in CPU 1’s cache is in the “modified” state (and the copy in memory remains out of date). Finally, CPU 1 reads the cache line at address 8, which uses a “writeback” message to push address 0’s data back out to memory.

Note that we end with data in some of the CPU’s caches.

**Quick Quiz C.6:** What sequence of operations would put the CPUs’ caches all back into the “invalid” state? ■

## C.3 Stores Result in Unnecessary Stalls

Although the cache structure shown in Figure C.1 provides good performance for repeated reads and writes from a given CPU to a given item of data, its performance for

Sequence #	CPU #	Operation	CPU Cache				Memory	
			0	1	2	3	0	8
0		Initial State	-/I	-/I	-/I	-/I	V	V
1	0	Load	0/S	-/I	-/I	-/I	V	V
2	3	Load	0/S	-/I	-/I	0/S	V	V
3	0	Invalidation	8/S	-/I	-/I	0/S	V	V
4	2	RMW	8/S	-/I	0/E	-/I	V	V
5	2	Store	8/S	-/I	0/M	-/I	I	V
6	1	Atomic Inc	8/S	0/M	-/I	-/I	I	V
7	1	Writeback	8/S	8/S	-/I	-/I	V	V

Table C.1: Cache Coherence Example

the first write to a given cache line is quite poor. To see this, consider Figure C.4, which shows a timeline of a write by CPU 0 to a cacheline held in CPU 1's cache. Since CPU 0 must wait for the cache line to arrive before it can write to it, CPU 0 must stall for an extended period of time.<sup>3</sup>

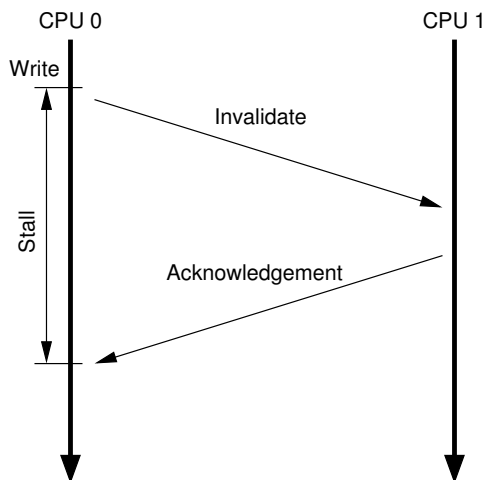


Figure C.4: Writes See Unnecessary Stalls

But there is no real reason to force CPU 0 to stall for so long — after all, regardless of what data happens to be in the cache line that CPU 1 sends it, CPU 0 is going to unconditionally overwrite it.

### C.3.1 Store Buffers

One way to prevent this unnecessary stalling of writes is to add “store buffers” between each CPU and its cache, as shown in Figure C.5. With the addition of these store buffers, CPU 0 can simply record its write in its store buffer and continue executing. When the

<sup>3</sup> The time required to transfer a cache line from one CPU's cache to another's is typically a few orders of magnitude more than that required to execute a simple register-to-register instruction.



cache line does finally make its way from CPU 1 to CPU 0, the data will be moved from the store buffer to the cache line.

**Quick Quiz C.7:** But if the main purpose of store buffers is to hide acknowledgment latencies in multiprocessor cache-coherence protocols, why do uniprocessors also have store buffers? ■

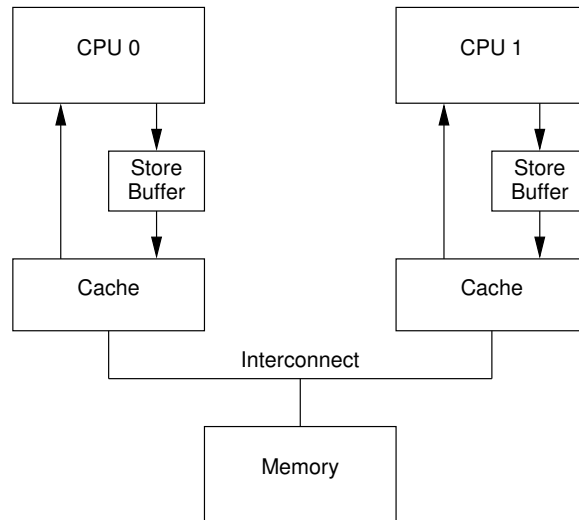


Figure C.5: Caches With Store Buffers

These store buffers are local to a given CPU or, on systems with hardware multi-threading, local to a given core. Either way, a given CPU is permitted to access only the store buffer assigned to it. For example, in Figure C.5, CPU 0 cannot access CPU 1’s store buffer and vice versa. This restriction simplifies the hardware by separating concerns: The store buffer improves performance for consecutive writes, while the responsibility for communicating among CPUs (or cores, as the case may be) is fully shouldered by the cache-coherence protocol. However, even given this restriction, there are complications that must be addressed, which are covered in the next two sections.

### C.3.2 Store Forwarding

To see the first complication, a violation of self-consistency, consider the following code with variables “a” and “b” both initially zero, and with the cache line containing variable “a” initially owned by CPU 1 and that containing “b” initially owned by CPU 0:

```
1  a = 1;  
2  b = a + 1;  
3  assert(b == 2);
```

One would not expect the assertion to fail. However, if one were foolish enough to use the very simple architecture shown in Figure C.5, one would be surprised. Such a system could potentially see the following sequence of events:

1. CPU 0 starts executing the `a = 1`.
2. CPU 0 looks “a” up in the cache, and finds that it is missing.

3. CPU 0 therefore sends a “read invalidate” message in order to get exclusive ownership of the cache line containing “a”.
4. CPU 0 records the store to “a” in its store buffer.
5. CPU 1 receives the “read invalidate” message, and responds by transmitting the cache line and removing that cacheline from its cache.
6. CPU 0 starts executing the  $b = a + 1$ .
7. CPU 0 receives the cache line from CPU 1, which still has a value of zero for “a”.
8. CPU 0 loads “a” from its cache, finding the value zero.
9. CPU 0 applies the entry from its store buffer to the newly arrived cache line, setting the value of “a” in its cache to one.
10. CPU 0 adds one to the value zero loaded for “a” above, and stores it into the cache line containing “b” (which we will assume is already owned by CPU 0).
11. CPU 0 executes `assert (b == 2)`, which fails.

The problem is that we have two copies of “a”, one in the cache and the other in the store buffer.

This example breaks a very important guarantee, namely that each CPU will always see its own operations as if they happened in program order. Breaking this guarantee is violently counter-intuitive to software types, so much so that the hardware guys took pity and implemented “store forwarding”, where each CPU refers to (or “snoops”) its store buffer as well as its cache when performing loads, as shown in Figure C.6. In other words, a given CPU’s stores are directly forwarded to its subsequent loads, without having to pass through the cache.

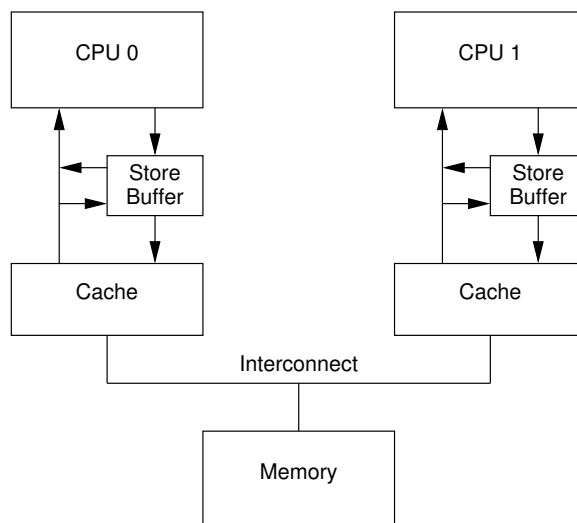


Figure C.6: Caches With Store Forwarding

With store forwarding in place, item 8 in the above sequence would have found the correct value of 1 for “a” in the store buffer, so that the final value of “b” would have been 2, as one would hope.

### C.3.3 Store Buffers and Memory Barriers

To see the second complication, a violation of global memory ordering, consider the following code sequences with variables “a” and “b” initially zero:

```
1 void foo(void)
2 {
3   a = 1;
4   b = 1;
5 }
6
7 void bar(void)
8 {
9   while (b == 0) continue;
10  assert(a == 1);
11 }
```

Suppose CPU 0 executes `foo()` and CPU 1 executes `bar()`. Suppose further that the cache line containing “a” resides only in CPU 1’s cache, and that the cache line containing “b” is owned by CPU 0. Then the sequence of operations might be as follows:

1. CPU 0 executes `a = 1`. The cache line is not in CPU 0’s cache, so CPU 0 places the new value of “a” in its store buffer and transmits a “read invalidate” message.
2. CPU 1 executes `while (b == 0) continue`, but the cache line containing “b” is not in its cache. It therefore transmits a “read” message.
3. CPU 0 executes `b = 1`. It already owns this cache line (in other words, the cache line is already in either the “modified” or the “exclusive” state), so it stores the new value of “b” in its cache line.
4. CPU 0 receives the “read” message, and transmits the cache line containing the now-updated value of “b” to CPU 1, also marking the line as “shared” in its own cache.
5. CPU 1 receives the cache line containing “b” and installs it in its cache.
6. CPU 1 can now finish executing `while (b == 0) continue`, and since it finds that the value of “b” is 1, it proceeds to the next statement.
7. CPU 1 executes the `assert(a == 1)`, and, since CPU 1 is working with the old value of “a”, this assertion fails.
8. CPU 1 receives the “read invalidate” message, and transmits the cache line containing “a” to CPU 0 and invalidates this cache line from its own cache. But it is too late.
9. CPU 0 receives the cache line containing “a” and applies the buffered store just in time to fall victim to CPU 1’s failed assertion.

**Quick Quiz C.8:** In step 1 above, why does CPU 0 need to issue a “read invalidate” rather than a simple “invalidate”? ■

The hardware designers cannot help directly here, since the CPUs have no idea which variables are related, let alone how they might be related. Therefore, the hardware designers provide memory-barrier instructions to allow the software to tell the CPU about such relations. The program fragment must be updated to contain the memory barrier:

```
1 void foo(void)
2 {
3     a = 1;
4     smp_mb();
5     b = 1;
6 }
7
8 void bar(void)
9 {
10    while (b == 0) continue;
11    assert(a == 1);
12 }
```

The memory barrier `smp_mb()` will cause the CPU to flush its store buffer before applying each subsequent store to its variable’s cache line. The CPU could either simply stall until the store buffer was empty before proceeding, or it could use the store buffer to hold subsequent stores until all of the prior entries in the store buffer had been applied.

With this latter approach the sequence of operations might be as follows:

1. CPU 0 executes `a = 1`. The cache line is not in CPU 0’s cache, so CPU 0 places the new value of “a” in its store buffer and transmits a “read invalidate” message.
2. CPU 1 executes `while (b == 0) continue`, but the cache line containing “b” is not in its cache. It therefore transmits a “read” message.
3. CPU 0 executes `smp_mb()`, and marks all current store-buffer entries (namely, the `a = 1`).
4. CPU 0 executes `b = 1`. It already owns this cache line (in other words, the cache line is already in either the “modified” or the “exclusive” state), but there is a marked entry in the store buffer. Therefore, rather than store the new value of “b” in the cache line, it instead places it in the store buffer (but in an *unmarked* entry).
5. CPU 0 receives the “read” message, and transmits the cache line containing the original value of “b” to CPU 1. It also marks its own copy of this cache line as “shared”.
6. CPU 1 receives the cache line containing “b” and installs it in its cache.
7. CPU 1 can now load the value of “b”, but since it finds that the value of “b” is still 0, it repeats the `while` statement. The new value of “b” is safely hidden in CPU 0’s store buffer.
8. CPU 1 receives the “read invalidate” message, and transmits the cache line containing “a” to CPU 0 and invalidates this cache line from its own cache.

9. CPU 0 receives the cache line containing “a” and applies the buffered store, placing this line into the “modified” state.
10. Since the store to “a” was the only entry in the store buffer that was marked by the `smp_mb()`, CPU 0 can also store the new value of “b” — except for the fact that the cache line containing “b” is now in “shared” state.
11. CPU 0 therefore sends an “invalidate” message to CPU 1.
12. CPU 1 receives the “invalidate” message, invalidates the cache line containing “b” from its cache, and sends an “acknowledgement” message to CPU 0.
13. CPU 1 executes `while (b == 0) continue`, but the cache line containing “b” is not in its cache. It therefore transmits a “read” message to CPU 0.
14. CPU 0 receives the “acknowledgement” message, and puts the cache line containing “b” into the “exclusive” state. CPU 0 now stores the new value of “b” into the cache line.
15. CPU 0 receives the “read” message, and transmits the cache line containing the new value of “b” to CPU 1. It also marks its own copy of this cache line as “shared”.
16. CPU 1 receives the cache line containing “b” and installs it in its cache.
17. CPU 1 can now load the value of “b”, and since it finds that the value of “b” is 1, it exits the `while` loop and proceeds to the next statement.
18. CPU 1 executes the `assert(a == 1)`, but the cache line containing “a” is no longer in its cache. Once it gets this cache from CPU 0, it will be working with the up-to-date value of “a”, and the assertion therefore passes.

As you can see, this process involves no small amount of bookkeeping. Even something intuitively simple, like “load the value of a” can involve lots of complex steps in silicon.

## C.4 Store Sequences Result in Unnecessary Stalls

Unfortunately, each store buffer must be relatively small, which means that a CPU executing a modest sequence of stores can fill its store buffer (for example, if all of them result in cache misses). At that point, the CPU must once again wait for invalidations to complete in order to drain its store buffer before it can continue executing. This same situation can arise immediately after a memory barrier, when *all* subsequent store instructions must wait for invalidations to complete, regardless of whether or not these stores result in cache misses.

This situation can be improved by making invalidate acknowledge messages arrive more quickly. One way of accomplishing this is to use per-CPU queues of invalidate messages, or “invalidate queues”.

### C.4.1 Invalidate Queues

One reason that invalidate acknowledge messages can take so long is that they must ensure that the corresponding cache line is actually invalidated, and this invalidation can be delayed if the cache is busy, for example, if the CPU is intensively loading and storing data, all of which resides in the cache. In addition, if a large number of invalidate messages arrive in a short time period, a given CPU might fall behind in processing them, thus possibly stalling all the other CPUs.

However, the CPU need not actually invalidate the cache line before sending the acknowledgement. It could instead queue the invalidate message with the understanding that the message will be processed before the CPU sends any further messages regarding that cache line.

### C.4.2 Invalidate Queues and Invalidate Acknowledge

Figure C.7 shows a system with invalidate queues. A CPU with an invalidate queue may acknowledge an invalidate message as soon as it is placed in the queue, instead of having to wait until the corresponding line is actually invalidated. Of course, the CPU must refer to its invalidate queue when preparing to transmit invalidation messages — if an entry for the corresponding cache line is in the invalidate queue, the CPU cannot immediately transmit the invalidate message; it must instead wait until the invalidate-queue entry has been processed.

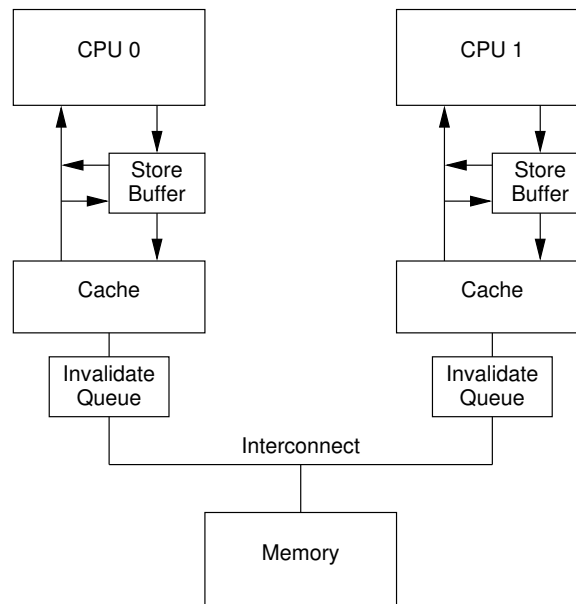


Figure C.7: Caches With Invalidate Queues

Placing an entry into the invalidate queue is essentially a promise by the CPU to process that entry before transmitting any MESI protocol messages regarding that cache line. As long as the corresponding data structures are not highly contended, the CPU will rarely be inconvenienced by such a promise.

However, the fact that invalidate messages can be buffered in the invalidate queue provides additional opportunity for memory-misordering, as discussed in the next section.

### C.4.3 Invalidate Queues and Memory Barriers

Let us suppose that CPUs queue invalidation requests, but respond to them immediately. This approach minimizes the cache-invalidation latency seen by CPUs doing stores, but can defeat memory barriers, as seen in the following example.

Suppose the values of “a” and “b” are initially zero, that “a” is replicated read-only (MESI “shared” state), and that “b” is owned by CPU 0 (MESI “exclusive” or “modified” state). Then suppose that CPU 0 executes `foo()` while CPU 1 executes function `bar()` in the following code fragment:

```
1 void foo(void)
2 {
3     a = 1;
4     smp_mb();
5     b = 1;
6 }
7
8 void bar(void)
9 {
10    while (b == 0) continue;
11    assert(a == 1);
12 }
```

Then the sequence of operations might be as follows:

1. CPU 0 executes `a = 1`. The corresponding cache line is read-only in CPU 0’s cache, so CPU 0 places the new value of “a” in its store buffer and transmits an “invalidate” message in order to flush the corresponding cache line from CPU 1’s cache.
2. CPU 1 executes `while (b == 0) continue`, but the cache line containing “b” is not in its cache. It therefore transmits a “read” message.
3. CPU 1 receives CPU 0’s “invalidate” message, queues it, and immediately responds to it.
4. CPU 0 receives the response from CPU 1, and is therefore free to proceed past the `smp_mb()` on line 4 above, moving the value of “a” from its store buffer to its cache line.
5. CPU 0 executes `b = 1`. It already owns this cache line (in other words, the cache line is already in either the “modified” or the “exclusive” state), so it stores the new value of “b” in its cache line.
6. CPU 0 receives the “read” message, and transmits the cache line containing the now-updated value of “b” to CPU 1, also marking the line as “shared” in its own cache.
7. CPU 1 receives the cache line containing “b” and installs it in its cache.

8. CPU 1 can now finish executing `while (b == 0) continue`, and since it finds that the value of “b” is 1, it proceeds to the next statement.
9. CPU 1 executes the `assert (a == 1)`, and, since the old value of “a” is still in CPU 1’s cache, this assertion fails.
10. Despite the assertion failure, CPU 1 processes the queued “invalidate” message, and (tardily) invalidates the cache line containing “a” from its own cache.

**Quick Quiz C.9:** In step 1 of the first scenario in Section C.4.3, why is an “invalidate” sent instead of a “read invalidate” message? Doesn’t CPU 0 need the values of the other variables that share this cache line with “a”? ■

There is clearly not much point in accelerating invalidation responses if doing so causes memory barriers to effectively be ignored. However, the memory-barrier instructions can interact with the invalidate queue, so that when a given CPU executes a memory barrier, it marks all the entries currently in its invalidate queue, and forces any subsequent load to wait until all marked entries have been applied to the CPU’s cache. Therefore, we can add a memory barrier to function `bar` as follows:

```

1 void foo(void)
2 {
3     a = 1;
4     smp_mb();
5     b = 1;
6 }
7
8 void bar(void)
9 {
10    while (b == 0) continue;
11    smp_mb();
12    assert(a == 1);
13 }
```

**Quick Quiz C.10:** Say what??? Why do we need a memory barrier here, given that the CPU cannot possibly execute the `assert()` until after the `while` loop completes? ■

With this change, the sequence of operations might be as follows:

1. CPU 0 executes `a = 1`. The corresponding cache line is read-only in CPU 0’s cache, so CPU 0 places the new value of “a” in its store buffer and transmits an “invalidate” message in order to flush the corresponding cache line from CPU 1’s cache.
2. CPU 1 executes `while (b == 0) continue`, but the cache line containing “b” is not in its cache. It therefore transmits a “read” message.
3. CPU 1 receives CPU 0’s “invalidate” message, queues it, and immediately responds to it.
4. CPU 0 receives the response from CPU 1, and is therefore free to proceed past the `smp_mb()` on line 4 above, moving the value of “a” from its store buffer to its cache line.



5. CPU 0 executes `b = 1`. It already owns this cache line (in other words, the cache line is already in either the “modified” or the “exclusive” state), so it stores the new value of “b” in its cache line.
6. CPU 0 receives the “read” message, and transmits the cache line containing the now-updated value of “b” to CPU 1, also marking the line as “shared” in its own cache.
7. CPU 1 receives the cache line containing “b” and installs it in its cache.
8. CPU 1 can now finish executing `while (b == 0) continue`, and since it finds that the value of “b” is 1, it proceeds to the next statement, which is now a memory barrier.
9. CPU 1 must now stall until it processes all pre-existing messages in its invalidation queue.
10. CPU 1 now processes the queued “invalidate” message, and invalidates the cache line containing “a” from its own cache.
11. CPU 1 executes the `assert (a == 1)`, and, since the cache line containing “a” is no longer in CPU 1’s cache, it transmits a “read” message.
12. CPU 0 responds to this “read” message with the cache line containing the new value of “a”.
13. CPU 1 receives this cache line, which contains a value of 1 for “a”, so that the assertion does not trigger.

With much passing of MESI messages, the CPUs arrive at the correct answer. This section illustrates why CPU designers must be extremely careful with their cache-coherence optimizations.

## C.5 Read and Write Memory Barriers

In the previous section, memory barriers were used to mark entries in both the store buffer and the invalidate queue. But in our code fragment, `foo()` had no reason to do anything with the invalidate queue, and `bar()` similarly had no reason to do anything with the store buffer.

Many CPU architectures therefore provide weaker memory-barrier instructions that do only one or the other of these two. Roughly speaking, a “read memory barrier” marks only the invalidate queue and a “write memory barrier” marks only the store buffer, while a full-fledged memory barrier does both.

The effect of this is that a read memory barrier orders only loads on the CPU that executes it, so that all loads preceding the read memory barrier will appear to have completed before any load following the read memory barrier. Similarly, a write memory barrier orders only stores, again on the CPU that executes it, and again so that all stores preceding the write memory barrier will appear to have completed before any store following the write memory barrier. A full-fledged memory barrier orders both loads and stores, but again only on the CPU executing the memory barrier.

If we update `foo` and `bar` to use read and write memory barriers, they appear as follows:

```

1 void foo(void)
2 {
3     a = 1;
4     smp_wmb();
5     b = 1;
6 }
7
8 void bar(void)
9 {
10    while (b == 0) continue;
11    smp_rmb();
12    assert(a == 1);
13 }

```

Some computers have even more flavors of memory barriers, but understanding these three variants will provide a good introduction to memory barriers in general.

## C.6 Example Memory-Barrier Sequences

This section presents some seductive but subtly broken uses of memory barriers. Although many of them will work most of the time, and some will work all the time on some specific CPUs, these uses must be avoided if the goal is to produce code that works reliably on all CPUs. To help us better see the subtle breakage, we first need to focus on an ordering-hostile architecture.

### C.6.1 Ordering-Hostile Architecture

A number of ordering-hostile computer systems have been produced over the decades, but the nature of the hostility has always been extremely subtle, and understanding it has required detailed knowledge of the specific hardware. Rather than picking on a specific hardware vendor, and as a presumably attractive alternative to dragging the reader through detailed technical specifications, let us instead design a mythical but maximally memory-ordering-hostile computer architecture.<sup>4</sup>

This hardware must obey the following ordering constraints [McK05a, McK05b]:

1. Each CPU will always perceive its own memory accesses as occurring in program order.
2. CPUs will reorder a given operation with a store only if the two operations are referencing different locations.
3. All of a given CPU's loads preceding a read memory barrier (`smp_rmb()`) will be perceived by all CPUs to precede any loads following that read memory barrier.
4. All of a given CPU's stores preceding a write memory barrier (`smp_wmb()`) will be perceived by all CPUs to precede any stores following that write memory barrier.

---

<sup>4</sup> Readers preferring a detailed look at real hardware architectures are encouraged to consult CPU vendors' manuals [SW95, Adv02, Int02b, IBM94, LSH02, SPA94, Int04b, Int04a, Int04c], Gharachorloo's dissertation [Gha95], Peter Sewell's work [Sew], or the excellent hardware-oriented primer by Sorin, Hill, and Wood [SHW11].

5. All of a given CPU's accesses (loads and stores) preceding a full memory barrier (`smp_mb()`) will be perceived by all CPUs to precede any accesses following that memory barrier.

**Quick Quiz C.11:** Does the guarantee that each CPU sees its own memory accesses in order also guarantee that each user-level thread will see its own memory accesses in order? Why or why not? ■

Imagine a large non-uniform cache architecture (NUCA) system that, in order to provide fair allocation of interconnect bandwidth to CPUs in a given node, provided per-CPU queues in each node's interconnect interface, as shown in Figure C.8. Although a given CPU's accesses are ordered as specified by memory barriers executed by that CPU, however, the relative order of a given pair of CPUs' accesses could be severely reordered, as we will see.<sup>5</sup>

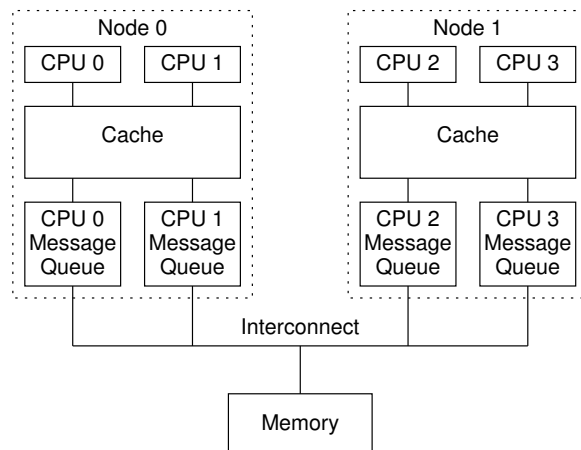


Figure C.8: Example Ordering-Hostile Architecture

## C.6.2 Example 1

Table C.2 shows three code fragments, executed concurrently by CPUs 0, 1, and 2. Each of "a", "b", and "c" are initially zero.

Suppose CPU 0 recently experienced many cache misses, so that its message queue is full, but that CPU 1 has been running exclusively within the cache, so that its message queue is empty. Then CPU 0's assignment to "a" and "b" will appear in Node 0's cache immediately (and thus be visible to CPU 1), but will be blocked behind CPU 0's prior traffic. In contrast, CPU 1's assignment to "c" will sail through CPU 1's previously empty queue. Therefore, CPU 2 might well see CPU 1's assignment to "c" before it sees CPU 0's assignment to "a", causing the assertion to fire, despite the memory barriers.

Therefore, portable code cannot rely on this assertion not firing, as both the compiler and the CPU can reorder the code so as to trip the assertion.

**Quick Quiz C.12:** Could this code be fixed by inserting a memory barrier between

<sup>5</sup> Any real hardware architect or designer will no doubt be objecting strenuously, as they just might be just a bit upset about the prospect of working out which queue should handle a message involving a cache line that both CPUs accessed, to say nothing of the many races that this example poses. All I can say is "Give me a better example".

CPU 0	CPU 1	CPU 2
<pre>a = 1; smp_wmb(); b = 1;</pre>	<pre>while (b == 0); c = 1;</pre>	<pre>z = c; smp_rmb(); x = a; assert(z == 0    x == 1);</pre>

Table C.2: Memory Barrier Example 1

CPU 0	CPU 1	CPU 2
<pre>a = 1;</pre>	<pre>while (a == 0); smp_mb(); b = 1;</pre>	<pre>y = b; smp_rmb(); x = a; assert(y == 0    x == 1);</pre>

Table C.3: Memory Barrier Example 2

CPU 1’s “while” and assignment to “c”? Why or why not? ■

### C.6.3 Example 2

Table C.3 shows three code fragments, executed concurrently by CPUs 0, 1, and 2. Both “a” and “b” are initially zero.

Again, suppose CPU 0 recently experienced many cache misses, so that its message queue is full, but that CPU 1 has been running exclusively within the cache, so that its message queue is empty. Then CPU 0’s assignment to “a” will appear in Node 0’s cache immediately (and thus be visible to CPU 1), but will be blocked behind CPU 0’s prior traffic. In contrast, CPU 1’s assignment to “b” will sail through CPU 1’s previously empty queue. Therefore, CPU 2 might well see CPU 1’s assignment to “b” before it sees CPU 0’s assignment to “a”, causing the assertion to fire, despite the memory barriers.

In theory, portable code should not rely on this example code fragment, however, as before, in practice it actually does work on most mainstream computer systems.

### C.6.4 Example 3

Table C.4 shows three code fragments, executed concurrently by CPUs 0, 1, and 2. All variables are initially zero.

Note that neither CPU 1 nor CPU 2 can proceed to line 5 until they see CPU 0’s assignment to “b” on line 3. Once CPU 1 and 2 have executed their memory barriers on line 4, they are both guaranteed to see all assignments by CPU 0 preceding its memory barrier on line 2. Similarly, CPU 0’s memory barrier on line 8 pairs with those of CPUs 1 and 2 on line 4, so that CPU 0 will not execute the assignment to “e” on line 9 until after its assignment to “a” is visible to both of the other CPUs. Therefore, CPU 2’s assertion on line 9 is guaranteed *not* to fire.

**Quick Quiz C.13:** Suppose that lines 3-5 for CPUs 1 and 2 in Table C.4 are in an interrupt handler, and that the CPU 2’s line 9 is run at process level. What changes, if

	CPU 0	CPU 1	CPU 2
1	a = 1;		
2	smb_wmb();		
3	b = 1;		
4		while (b == 0);	while (b == 0);
5		smp_mb();	smp_mb();
6	while (c == 0);	c = 1;	d = 1;
7	while (d == 0);		
8	smp_mb();		
9	e = 1;		assert(e == 0    a == 1);

Table C.4: Memory Barrier Example 3

any, are required to enable the code to work correctly, in other words, to prevent the assertion from firing? ■

**Quick Quiz C.14:** If CPU 2 executed an `assert (e==0 || c==1)` in the example in Table C.4, would this assert ever trigger? ■

The Linux kernel's `synchronize_rcu()` primitive uses an algorithm similar to that shown in this example.

## C.7 Memory-Barrier Instructions For Specific CPUs

Each CPU has its own peculiar memory-barrier instructions, which can make portability a challenge, as indicated by Table C.5. In fact, many software environments, including pthreads and Java, simply prohibit direct use of memory barriers, restricting the programmer to mutual-exclusion primitives that incorporate them to the extent that they are required. In the table, the first four columns indicate whether a given CPU allows the four possible combinations of loads and stores to be reordered. The next two columns indicate whether a given CPU allows loads and stores to be reordered with atomic instructions.

The seventh column, data-dependent reads reordered, requires some explanation, which is undertaken in the following section covering Alpha CPUs. The short version is that Alpha requires memory barriers for readers as well as updaters of linked data structures. Yes, this does mean that Alpha can in effect fetch the data pointed to *before* it fetches the pointer itself, strange but true. Please see: [http://www.openvms.compaq.com/wizard/wiz\\_2637.html](http://www.openvms.compaq.com/wizard/wiz_2637.html) if you think that I am just making this up. The benefit of this extremely weak memory model is that Alpha can use simpler cache hardware, which in turn permitted higher clock frequency in Alpha's heyday.

The last column indicates whether a given CPU has an incoherent instruction cache and pipeline. Such CPUs require special instructions be executed for self-modifying code.

Parenthesized CPU names indicate modes that are architecturally allowed, but rarely used in practice.

The common "just say no" approach to memory barriers can be eminently reasonable where it applies, but there are environments, such as the Linux kernel, where direct use of memory barriers is required. Therefore, Linux provides a carefully chosen least-common-denominator set of memory-barrier primitives, which are as follows:

- `smp_mb()`: "memory barrier" that orders both loads and stores. This means that loads and stores preceding the memory barrier will be committed to memory before any loads and stores following the memory barrier.

	Loads Reordered After Loads?	Loads Reordered After Stores?	Stores Reordered After Stores?	Stores Reordered After Loads?	Atomic Instructions Reordered With Loads?	Atomic Instructions Reordered With Stores?	Dependent Loads Reordered?	Incoherent Instruction Cache/Pipeline?
Alpha	Y	Y	Y	Y	Y	Y	Y	Y
AMD64				Y				
ARMv7-A/R	Y	Y	Y	Y	Y	Y		Y
IA64	Y	Y	Y	Y	Y	Y		Y
(PA-RISC)	Y	Y	Y	Y				
PA-RISC CPUs								
POWER™	Y	Y	Y	Y	Y	Y		Y
(SPARC RMO)	Y	Y	Y	Y	Y	Y		Y
(SPARC PSO)			Y	Y		Y		Y
SPARC TSO				Y				Y
x86				Y				Y
(x86 OOSTore)	Y	Y	Y	Y				Y
zSeries®				Y				Y

Table C.5: Summary of Memory Ordering

- `smp_rmb()`: “read memory barrier” that orders only loads.
- `smp_wmb()`: “write memory barrier” that orders only stores.
- `smp_read_barrier_depends()` that forces subsequent operations that depend on prior operations to be ordered. This primitive is a no-op on all platforms except Alpha.
- `mmiowb()` that forces ordering on MMIO writes that are guarded by global spinlocks. This primitive is a no-op on all platforms on which the memory barriers in spinlocks already enforce MMIO ordering. The platforms with a non-no-op `mmiowb()` definition include some (but not all) IA64, FRV, MIPS, and SH systems. This primitive is relatively new, so relatively few drivers take advantage of it.

The `smp_mb()`, `smp_rmb()`, and `smp_wmb()` primitives also force the compiler to eschew any optimizations that would have the effect of reordering memory optimizations across the barriers. The `smp_read_barrier_depends()` primitive has a similar effect, but only on Alpha CPUs. See Section 14.2 for more information on use of these primitives. These primitives generate code only in SMP kernels, however, each also has a UP version (`mb()`, `rmb()`, `wmb()`, and `read_barrier_depends()`, respectively) that generate a memory barrier even in UP kernels. The `smp_` versions should be used in most cases. However, these latter primitives are useful when writing drivers, because MMIO accesses must remain ordered even in UP kernels. In absence of memory-barrier instructions, both CPUs and compilers would happily rearrange these accesses, which at best would make the device act strangely, and could crash your kernel or, in some cases, even damage your hardware.

So most kernel programmers need not worry about the memory-barrier peculiarities of each and every CPU, as long as they stick to these interfaces. If you are working deep in a given CPU’s architecture-specific code, of course, all bets are off.

Furthermore, all of Linux’s locking primitives (spinlocks, reader-writer locks, semaphores, RCU, ...) include any needed barrier primitives. So if you are working with code that uses these primitives, you don’t even need to worry about Linux’s memory-ordering primitives.

That said, deep knowledge of each CPU’s memory-consistency model can be very helpful when debugging, to say nothing of when writing architecture-specific code or synchronization primitives.

Besides, they say that a little knowledge is a very dangerous thing. Just imagine the damage you could do with a lot of knowledge! For those who wish to understand more about individual CPUs’ memory consistency models, the next sections describes those of the most popular and prominent CPUs. Although nothing can replace actually reading a given CPU’s documentation, these sections give a good overview.

## C.7.1 Alpha

It may seem strange to say much of anything about a CPU whose end of life has been announced, but Alpha is interesting because, with the weakest memory ordering model, it reorders memory operations the most aggressively. It therefore has defined the Linux-kernel memory-ordering primitives, which must work on all CPUs, including Alpha. Understanding Alpha is therefore surprisingly important to the Linux kernel hacker.

```

1 struct el *insert(long key, long data)
2 {
3     struct el *p;
4     p = kmalloc(sizeof(*p), GFP_ATOMIC);
5     spin_lock(&mutex);
6     p->next = head.next;
7     p->key = key;
8     p->data = data;
9     smp_wmb();
10    head.next = p;
11    spin_unlock(&mutex);
12 }
13
14 struct el *search(long key)
15 {
16     struct el *p;
17     p = head.next;
18     while (p != &head) {
19         /* BUG ON ALPHA!!! */
20         if (p->key == key) {
21             return (p);
22         }
23         p = p->next;
24     };
25     return (NULL);
26 }

```

Figure C.9: Insert and Lock-Free Search

The difference between Alpha and the other CPUs is illustrated by the code shown in Figure C.9. This `smp_wmb()` on line 9 of this figure guarantees that the element initialization in lines 6-8 is executed before the element is added to the list on line 10, so that the lock-free search will work correctly. That is, it makes this guarantee on all CPUs *except* Alpha.

Alpha has extremely weak memory ordering such that the code on line 20 of Figure C.9 could see the old garbage values that were present before the initialization on lines 6-8.

Figure C.10 shows how this can happen on an aggressively parallel machine with partitioned caches, so that alternating caches lines are processed by the different partitions of the caches. Assume that the list header `head` will be processed by cache bank 0, and that the new element will be processed by cache bank 1. On Alpha, the `smp_wmb()` will guarantee that the cache invalidates performed by lines 6-8 of Figure C.9 will reach the interconnect before that of line 10 does, but makes absolutely no guarantee about the order in which the new values will reach the reading CPU's core. For example, it is possible that the reading CPU's cache bank 1 is very busy, but cache bank 0 is idle. This could result in the cache invalidates for the new element being delayed, so that the reading CPU gets the new value for the pointer, but sees the old cached values for the new element. See the Web site called out earlier for more information, or, again, if you think that I am just making all this up.<sup>6</sup>

One could place an `smp_rmb()` primitive between the pointer fetch and dereference. However, this imposes unneeded overhead on systems (such as i386, IA64, PPC, and SPARC) that respect data dependencies on the read side. A `smp_read_barrier_depends()` primitive has been added to the Linux 2.6 kernel to eliminate overhead on these systems. This primitive may be used as shown on line 19 of Figure C.11.

It is also possible to implement a software barrier that could be used in place of

<sup>6</sup> Of course, the astute reader will have already recognized that Alpha is nowhere near as mean and nasty as it could be, the (thankfully) mythical architecture in Section C.6.1 being a case in point.



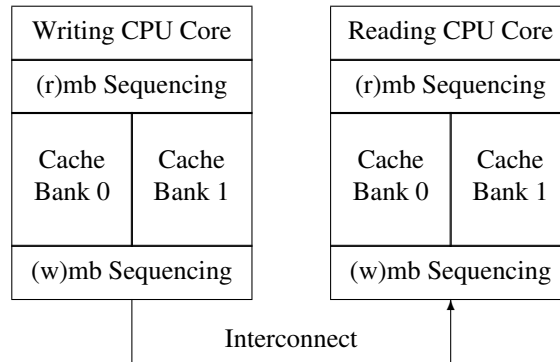


Figure C.10: Why `smp_read_barrier_depends()` is Required

`smp_wmb()`, which would force all reading CPUs to see the writing CPU's writes in order. However, this approach was deemed by the Linux community to impose excessive overhead on extremely weakly ordered CPUs such as Alpha. This software barrier could be implemented by sending inter-processor interrupts (IPIs) to all other CPUs. Upon receipt of such an IPI, a CPU would execute a memory-barrier instruction, implementing a memory-barrier shutdown. Additional logic is required to avoid deadlocks. Of course, CPUs that respect data dependencies would define such a barrier to simply be `smp_wmb()`. Perhaps this decision should be revisited in the future as Alpha fades off into the sunset.

The Linux memory-barrier primitives took their names from the Alpha instructions, so `smp_mb()` is `mb`, `smp_rmb()` is `rmb`, and `smp_wmb()` is `wmb`. Alpha is the only CPU where `smp_read_barrier_depends()` is an `smp_mb()` rather than a no-op.

**Quick Quiz C.15:** Why is Alpha's `smp_read_barrier_depends()` an `smp_mb()` rather than `smp_rmb()`? ■

For more detail on Alpha, see the reference manual [SW95].

## C.7.2 AMD64

AMD64 is compatible with x86, and has updated its documented memory model [Adv07] to enforce the tighter ordering that actual implementations have provided for some time. The AMD64 implementation of the Linux `smp_mb()` primitive is `mfence`, `smp_rmb()` is `lfence`, and `smp_wmb()` is `sfence`. In theory, these might be relaxed, but any such relaxation must take SSE and 3DNOW instructions into account.

## C.7.3 ARMv7-A/R

The ARM family of CPUs is extremely popular in embedded applications, particularly for power-constrained applications such as cellphones. There have nevertheless been multiprocessor implementations of ARM for more than five years. Its memory model is similar to that of Power (see Section C.7.6, but ARM uses a different set of memory-barrier instructions [ARM10]):

```

1 struct el *insert(long key, long data)
2 {
3     struct el *p;
4     p = kmalloc(sizeof(*p), GFP_ATOMIC);
5     spin_lock(&mutex);
6     p->next = head.next;
7     p->key = key;
8     p->data = data;
9     smp_wmb();
10    head.next = p;
11    spin_unlock(&mutex);
12 }
13
14 struct el *search(long key)
15 {
16     struct el *p;
17     p = head.next;
18     while (p != &head) {
19         smp_read_barrier_depends();
20         if (p->key == key) {
21             return (p);
22         }
23         p = p->next;
24     };
25     return (NULL);
26 }

```

Figure C.11: Safe Insert and Lock-Free Search

1. DMB (data memory barrier) causes the specified type of operations to *appear* to have completed before any subsequent operations of the same type. The “type” of operations can be all operations or can be restricted to only writes (similar to the Alpha `wmb` and the POWER `eieio` instructions). In addition, ARM allows cache coherence to have one of three scopes: single processor, a subset of the processors (“inner”) and global (“outer”).
2. DSB (data synchronization barrier) causes the specified type of operations to actually complete before any subsequent operations (of any type) are executed. The “type” of operations is the same as that of DMB. The DSB instruction was called DWB (drain write buffer or data write barrier, your choice) in early versions of the ARM architecture.
3. ISB (instruction synchronization barrier) flushes the CPU pipeline, so that all instructions following the ISB are fetched only after the ISB completes. For example, if you are writing a self-modifying program (such as a JIT), you should execute an ISB after between generating the code and executing it.

None of these instructions exactly match the semantics of Linux’s `rmb()` primitive, which must therefore be implemented as a full DMB. The DMB and DSB instructions have a recursive definition of accesses ordered before and after the barrier, which has an effect similar to that of POWER’s cumulativity.

ARM also implements control dependencies, so that if a conditional branch depends on a load, then any store executed after that conditional branch will be ordered after the load. However, loads following the conditional branch will *not* be guaranteed to be ordered unless there is an ISB instruction between the branch and the load. Consider the following example:

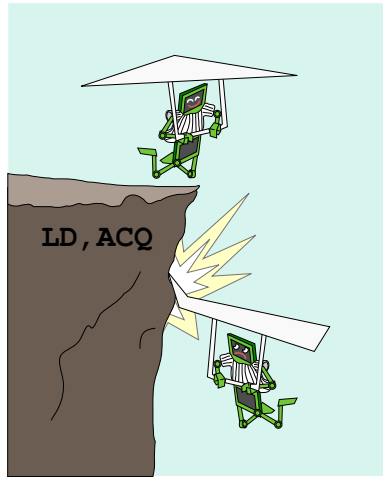


Figure C.12: Half Memory Barrier

```

1 r1 = x;
2 if (r1 == 0)
3   nop();
4 y = 1;
5 r2 = z;
6 ISB();
7 r3 = z;

```

In this example, load-store control dependency ordering causes the load from `x` on line 1 to be ordered before the store to `y` on line 4. However, ARM does not respect load-load control dependencies, so that the load on line 1 might well happen *after* the load on line 5. On the other hand, the combination of the conditional branch on line 2 and the `ISB()` instruction on line 6 ensures that the load on line 7 happens after the load on line 1. Note that inserting an additional `ISB()` instruction somewhere between lines 3 and 4 would enforce ordering between lines 1 and 5.

#### C.7.4 IA64

IA64 offers a weak consistency model, so that in absence of explicit memory-barrier instructions, IA64 is within its rights to arbitrarily reorder memory references [Int02b]. IA64 has a memory-fence instruction named `mf`, but also has “half-memory fence” modifiers to loads, stores, and to some of its atomic instructions [Int02a]. The `acq` modifier prevents subsequent memory-reference instructions from being reordered before the `acq`, but permits prior memory-reference instructions to be reordered after the `acq`, as fancifully illustrated by Figure C.12. Similarly, the `rel` modifier prevents prior memory-reference instructions from being reordered after the `rel`, but allows subsequent memory-reference instructions to be reordered before the `rel`.

These half-memory fences are useful for critical sections, since it is safe to push operations into a critical section, but can be fatal to allow them to bleed out. However, as one of the only CPUs with this property, IA64 defines Linux’s semantics of memory ordering associated with lock acquisition and release.

The IA64 `mf` instruction is used for the `smp_rmb()`, `smp_mb()`, and `smp_wmb()` primitives in the Linux kernel. Oh, and despite rumors to the contrary, the “mf” mnemonic really does stand for “memory fence”.

Finally, IA64 offers a global total order for “release” operations, including the “mf” instruction. This provides the notion of transitivity, where if a given code fragment sees a given access as having happened, any later code fragment will also see that earlier access as having happened. Assuming, that is, that all the code fragments involved correctly use memory barriers.

### C.7.5 PA-RISC

Although the PA-RISC architecture permits full reordering of loads and stores, actual CPUs run fully ordered [Kan96]. This means that the Linux kernel’s memory-ordering primitives generate no code, however, they do use the `gcc memory` attribute to disable compiler optimizations that would reorder code across the memory barrier.

### C.7.6 POWER / PowerPC

The POWER and PowerPC® CPU families have a wide variety of memory-barrier instructions [IBM94, LSH02]:

1. `sync` causes all preceding operations to *appear to have* completed before any subsequent operations are started. This instruction is therefore quite expensive.
2. `lwsync` (light-weight sync) orders loads with respect to subsequent loads and stores, and also orders stores. However, it does *not* order stores with respect to subsequent loads. Interestingly enough, the `lwsync` instruction enforces the same ordering as does zSeries, and coincidentally, SPARC TSO.
3. `eiio` (enforce in-order execution of I/O, in case you were wondering) causes all preceding cacheable stores to appear to have completed before all subsequent stores. However, stores to cacheable memory are ordered separately from stores to non-cacheable memory, which means that `eiio` will not force an MMIO store to precede a spinlock release.
4. `isync` forces all preceding instructions to appear to have completed before any subsequent instructions start execution. This means that the preceding instructions must have progressed far enough that any traps they might generate have either happened or are guaranteed not to happen, and that any side-effects of these instructions (for example, page-table changes) are seen by the subsequent instructions.

Unfortunately, none of these instructions line up exactly with Linux’s `wmb()` primitive, which requires *all* stores to be ordered, but does not require the other high-overhead actions of the `sync` instruction. But there is no choice: ppc64 versions of `wmb()` and `mb()` are defined to be the heavyweight `sync` instruction. However, Linux’s `smp_wmb()` instruction is never used for MMIO (since a driver must carefully order MMIOs in UP as well as SMP kernels, after all), so it is defined to be the lighter weight `eiio` instruction. This instruction may well be unique in having a five-vowel mnemonic. The `smp_mb()` instruction is also defined to be the `sync` instruction, but both `smp_rmb()` and `rmb()` are defined to be the lighter-weight `lwsync` instruction.

Power features “cumulativity”, which can be used to obtain transitivity. When used properly, any code seeing the results of an earlier code fragment will also see the accesses that this earlier code fragment itself saw. Much more detail is available from McKenney and Silvera [MS09].

Power respects control dependencies in much the same way that ARM does, with the exception that the Power `isync` instruction is substituted for the ARM `ISB` instruction.

Many members of the POWER architecture have incoherent instruction caches, so that a store to memory will not necessarily be reflected in the instruction cache. Thankfully, few people write self-modifying code these days, but JITs and compilers do it all the time. Furthermore, recompiling a recently run program looks just like self-modifying code from the CPU’s viewpoint. The `icbi` instruction (instruction cache block invalidate) invalidates a specified cache line from the instruction cache, and may be used in these situations.

### C.7.7 SPARC RMO, PSO, and TSO

Solaris on SPARC uses TSO (total-store order), as does Linux when built for the “sparc” 32-bit architecture. However, a 64-bit Linux kernel (the “sparc64” architecture) runs SPARC in RMO (relaxed-memory order) mode [SPA94]. The SPARC architecture also offers an intermediate PSO (partial store order). Any program that runs in RMO will also run in either PSO or TSO, and similarly, a program that runs in PSO will also run in TSO. Moving a shared-memory parallel program in the other direction may require careful insertion of memory barriers, although, as noted earlier, programs that make standard use of synchronization primitives need not worry about memory barriers.

SPARC has a very flexible memory-barrier instruction [SPA94] that permits fine-grained control of ordering:

- `StoreStore`: order preceding stores before subsequent stores. (This option is used by the Linux `smp_wmb()` primitive.)
- `LoadStore`: order preceding loads before subsequent stores.
- `StoreLoad`: order preceding stores before subsequent loads.
- `LoadLoad`: order preceding loads before subsequent loads. (This option is used by the Linux `smp_rmb()` primitive.)
- `Sync`: fully complete all preceding operations before starting any subsequent operations.
- `MemIssue`: complete preceding memory operations before subsequent memory operations, important for some instances of memory-mapped I/O.
- `Lookaside`: same as `MemIssue`, but only applies to preceding stores and subsequent loads, and even then only for stores and loads that access the same memory location.

The Linux `smp_mb()` primitive uses the first four options together, as in `membar #LoadLoad | #LoadStore | #StoreStore | #StoreLoad`, thus fully ordering memory operations.

So, why is `membar #MemIssue` needed? Because a `membar #StoreLoad` could permit a subsequent load to get its value from a write buffer, which would be

disastrous if the write was to an MMIO register that induced side effects on the value to be read. In contrast, `membar #MemIssue` would wait until the write buffers were flushed before permitting the loads to execute, thereby ensuring that the load actually gets its value from the MMIO register. Drivers could instead use `membar #Sync`, but the lighter-weight `membar #MemIssue` is preferred in cases where the additional function of the more-expensive `membar #Sync` are not required.

The `membar #Lookaside` is a lighter-weight version of `membar #MemIssue`, which is useful when writing to a given MMIO register affects the value that will next be read from that register. However, the heavier-weight `membar #MemIssue` must be used when a write to a given MMIO register affects the value that will next be read from *some other* MMIO register.

It is not clear why SPARC does not define `wmb()` to be `membar #MemIssue` and `smb_wmb()` to be `membar #StoreStore`, as the current definitions seem vulnerable to bugs in some drivers. It is quite possible that all the SPARC CPUs that Linux runs on implement a more conservative memory-ordering model than the architecture would permit.

SPARC requires a `flush` instruction be used between the time that an instruction is stored and executed [SPA94]. This is needed to flush any prior value for that location from the SPARC's instruction cache. Note that `flush` takes an address, and will flush only that address from the instruction cache. On SMP systems, all CPUs' caches are flushed, but there is no convenient way to determine when the off-CPU flushes complete, though there is a reference to an implementation note.

### C.7.8 x86

Since the x86 CPUs provide “process ordering” so that all CPUs agree on the order of a given CPU's writes to memory, the `smp_wmb()` primitive is a no-op for the CPU [Int04b]. However, a compiler directive is required to prevent the compiler from performing optimizations that would result in reordering across the `smp_wmb()` primitive.

On the other hand, x86 CPUs have traditionally given no ordering guarantees for loads, so the `smp_mb()` and `smp_rmb()` primitives expand to `lock; addl`. This atomic instruction acts as a barrier to both loads and stores.

Intel has also published a memory model for x86 [Int07]. It turns out that Intel's actual CPUs enforced tighter ordering than was claimed in the previous specifications, so this model is in effect simply mandating the earlier de-facto behavior. Even more recently, Intel published an updated memory model for x86 [Int11, Section 8.2], which mandates a total global order for stores, although individual CPUs are still permitted to see their own stores as having happened earlier than this total global order would indicate. This exception to the total ordering is needed to allow important hardware optimizations involving store buffers. In addition, memory ordering obeys causality, so that if CPU 0 sees a store by CPU 1, then CPU 0 is guaranteed to see all stores that CPU 1 saw prior to its store. Software may use atomic operations to override these hardware optimizations, which is one reason that atomic operations tend to be more expensive than their non-atomic counterparts. This total store order is *not* guaranteed on older processors.

It is also important to note that atomic instructions operating on a given memory location should all be of the same size [Int11, Section 8.1.2.2]. For example, if you write a program where one CPU atomically increments a byte while another CPU executes a

4-byte atomic increment on that same location, you are on your own.

However, note that some SSE instructions are weakly ordered (`clflush` and non-temporal move instructions [Int04a]). CPUs that have SSE can use `mfence` for `smp_mb()`, `lfence` for `smp_rmb()`, and `sfence` for `smp_wmb()`.

A few versions of the x86 CPU have a mode bit that enables out-of-order stores, and for these CPUs, `smp_wmb()` must also be defined to be `lock;addl`.

Although newer x86 implementations accommodate self-modifying code without any special instructions, to be fully compatible with past and potential future x86 implementations, a given CPU must execute a jump instruction or a serializing instruction (e.g., `cpuid`) between modifying the code and executing it [Int11, Section 8.1.3].

### C.7.9 zSeries

The zSeries machines make up the IBM<sup>TM</sup> mainframe family, previously known as the 360, 370, and 390 [Int04c]. Parallelism came late to zSeries, but given that these mainframes first shipped in the mid 1960s, this is not saying much. The `bcr 15,0` instruction is used for the Linux `smp_mb()`, `smp_rmb()`, and `smp_wmb()` primitives. It also has comparatively strong memory-ordering semantics, as shown in Table C.5, which should allow the `smp_wmb()` primitive to be a `nop` (and by the time you read this, this change may well have happened). The table actually understates the situation, as the zSeries memory model is otherwise sequentially consistent, meaning that all CPUs will agree on the order of unrelated stores from different CPUs.

As with most CPUs, the zSeries architecture does not guarantee a cache-coherent instruction stream, hence, self-modifying code must execute a serializing instruction between updating the instructions and executing them. That said, many actual zSeries machines do in fact accommodate self-modifying code without serializing instructions. The zSeries instruction set provides a large set of serializing instructions, including compare-and-swap, some types of branches (for example, the aforementioned `bcr 15,0` instruction), and test-and-set, among others.

## C.8 Are Memory Barriers Forever?

There have been a number of recent systems that are significantly less aggressive about out-of-order execution in general and re-ordering memory references in particular. Will this trend continue to the point where memory barriers are a thing of the past?

The argument in favor would cite proposed massively multi-threaded hardware architectures, so that each thread would wait until memory was ready, with tens, hundreds, or even thousands of other threads making progress in the meantime. In such an architecture, there would be no need for memory barriers, because a given thread would simply wait for all outstanding operations to complete before proceeding to the next instruction. Because there would be potentially thousands of other threads, the CPU would be completely utilized, so no CPU time would be wasted.

The argument against would cite the extremely limited number of applications capable of scaling up to a thousand threads, as well as increasingly severe realtime requirements, which are in the tens of microseconds for some applications. The realtime-response requirements are difficult enough to meet as is, and would be even more difficult to meet given the extremely low single-threaded throughput implied by the massive multi-threaded scenarios.

Another argument in favor would cite increasingly sophisticated latency-hiding hardware implementation techniques that might well allow the CPU to provide the illusion of fully sequentially consistent execution while still providing almost all of the performance advantages of out-of-order execution. A counter-argument would cite the increasingly severe power-efficiency requirements presented both by battery-operated devices and by environmental responsibility.

Who is right? We have no clue, so are preparing to live with either scenario.

## C.9 Advice to Hardware Designers

There are any number of things that hardware designers can do to make the lives of software people difficult. Here is a list of a few such things that we have encountered in the past, presented here in the hope that it might help prevent future such problems:

1. I/O devices that ignore cache coherence.

This charming misfeature can result in DMAs from memory missing recent changes to the output buffer, or, just as bad, cause input buffers to be overwritten by the contents of CPU caches just after the DMA completes. To make your system work in face of such misbehavior, you must carefully flush the CPU caches of any location in any DMA buffer before presenting that buffer to the I/O device. And even then, you need to be *very* careful to avoid pointer bugs, as even a misplaced read to an input buffer can result in corrupting the data input!

2. External busses that fail to transmit cache-coherence data.

This is an even more painful variant of the above problem, but causes groups of devices—and even memory itself—to fail to respect cache coherence. It is my painful duty to inform you that as embedded systems move to multicore architectures, we will no doubt see a fair number of such problems arise. Hopefully these problems will clear up by the year 2015.

3. Device interrupts that ignore cache coherence.

This might sound innocent enough — after all, interrupts aren't memory references, are they? But imagine a CPU with a split cache, one bank of which is extremely busy, therefore holding onto the last cacheline of the input buffer. If the corresponding I/O-complete interrupt reaches this CPU, then that CPU's memory reference to the last cache line of the buffer could return old data, again resulting in data corruption, but in a form that will be invisible in a later crash dump. By the time the system gets around to dumping the offending input buffer, the DMA will most likely have completed.

4. Inter-processor interrupts (IPIs) that ignore cache coherence.

This can be problematic if the IPI reaches its destination before all of the cache lines in the corresponding message buffer have been committed to memory.

5. Context switches that get ahead of cache coherence.

If memory accesses can complete too wildly out of order, then context switches can be quite harrowing. If the task flits from one CPU to another before all the memory accesses visible to the source CPU make it to the destination CPU, then the task could easily see the corresponding variables revert to prior values, which can fatally confuse most algorithms.



6. Overly kind simulators and emulators.

It is difficult to write simulators or emulators that force memory re-ordering, so software that runs just fine in these environments can get a nasty surprise when it first runs on the real hardware. Unfortunately, it is still the rule that the hardware is more devious than are the simulators and emulators, but we hope that this situation changes.

Again, we encourage hardware designers to avoid these practices!



## Appendix D

# Read-Copy Update Implementations

This appendix describes several fully functional production-quality RCU implementations. Understanding of these implementations requires a thorough understanding of the material in Chapters 2 and 9, as well as a reasonably good understanding of the Linux kernel, the latter of which may be found in several textbooks and websites [BC05, CRKH05, Cor08, Lov05].

If you are new to RCU implementations, you should start with the simpler “toy” RCU implementations that may be found in Section 9.3.5.

Section D.1 presents “Sleepable RCU”, or SRCU, which allows SRCU readers to sleep arbitrarily. This is a simple implementation, as production-quality RCU implementations go, and a good place to start learning about such implementations.

Section D.2 gives an overview of a highly scalable implementation of Classic RCU, designed for SMP systems sporting thousands of CPUs. Section D.3 takes the reader on a code walkthrough of this same implementation (as of late 2008).

Finally, Section D.4 provides a detailed view of the preemptible RCU implementation used in real-time systems.

### D.1 Sleepable RCU Implementation

Classic RCU requires that read-side critical sections obey the same rules obeyed by the critical sections of pure spinlocks: blocking or sleeping of any sort is strictly prohibited. This has frequently been an obstacle to the use of RCU, and Paul has received numerous requests for a “sleepable RCU” (SRCU) that permits arbitrary sleeping (or blocking) within RCU read-side critical sections. Paul had previously rejected all such requests as unworkable, since arbitrary sleeping in RCU read-side could indefinitely extend grace periods, which in turn could result in arbitrarily large amounts of memory awaiting the end of a grace period, which finally would result in disaster, as fancifully depicted in Figure D.1, with the most likely disaster being hangs due to memory exhaustion. After all, any concurrency-control primitive that could result in system hangs — even when used correctly — does not deserve to exist.

However, the realtime kernels that require spinlock critical sections be preemptible [Mol05] also require that RCU read-side critical sections be preemptible [MS05]. Preemptible

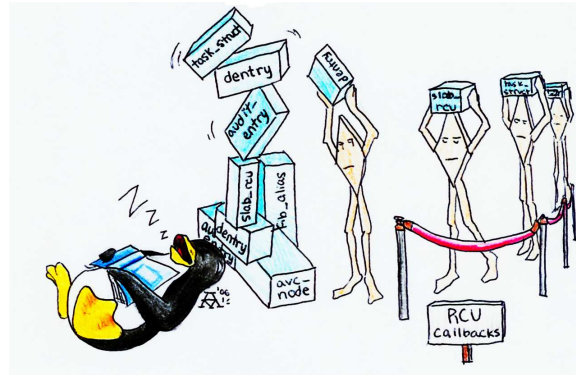


Figure D.1: Sleeping While RCU Reading Considered Harmful

critical sections in turn require that lock-acquisition primitives block in order to avoid deadlock, which in turns means that both RCU's and spinlocks' critical sections be able to block awaiting a lock. However, these two forms of sleeping have the special property that priority boosting and priority inheritance may be used to awaken the sleeping tasks in short order.

Nevertheless, use of RCU in realtime kernels was the first crack in the tablets of stone on which were inscribed "RCU read-side critical sections can never sleep". That said, indefinite sleeping, such as blocking waiting for an incoming TCP connection, is strictly verboten even in realtime kernels.

**Quick Quiz D.1:** Why is sleeping prohibited within Classic RCU read-side critical sections? ■

**Quick Quiz D.2:** Why not permit sleeping in Classic RCU read-side critical sections by eliminating context switch as a quiescent state, leaving user-mode execution and idle loop as the remaining quiescent states? ■

### D.1.1 SRCU Implementation Strategy

The primary challenge in designing an SRCU is to prevent any given task sleeping in an RCU read-side critical section from blocking an unbounded number of RCU callbacks. SRCU uses two strategies to achieve this goal:

1. refusing to provide asynchronous grace-period interfaces, such as the Classic RCU's `call_rcu()` API, and
2. isolating grace-period detection within each subsystem using SRCU.

The rationale for these strategies are discussed in the following sections.

#### D.1.1.1 Abolish Asynchronous Grace-Period APIs

The problem with the `call_rcu()` API is that a single thread can generate an arbitrarily large number of blocks of memory awaiting a grace period, as illustrated by the following:

```
1 while (p = kmalloc(sizeof(*p), GFP_ATOMIC))
2   call_rcu(&p->rcu, f);
```

In contrast, the analogous code using `synchronize_rcu()` can have at most a single block of memory per thread awaiting a grace period:

```
1 while (p = kmalloc(sizeof(*p),
2         GFP_ATOMIC)) {
3     synchronize_rcu();
4     kfree(&p->rcu, f);
5 }
```

Therefore, SRCU provides an equivalent to `synchronize_rcu()`, but not to `call_rcu()`.

### D.1.1.2 Isolate Grace-Period Detection

In Classic RCU, a single read-side critical section could indefinitely delay *all* RCU callbacks, for example, as follows:

```
1 /* BUGGY: Do not use!! */
2 rcu_read_lock();
3 schedule_timeout_interruptible(longdelay);
4 rcu_read_unlock();
```

This sort of behavior might be tolerated if RCU were used only within a single subsystem that was carefully designed to withstand long-term delay of grace periods. It is the fact that a single RCU read-side bug in one isolated subsystem can delay *all* users of RCU that forced these long-term RCU read-side delays to be abolished.

One way around this issue is for grace-period detection to be performed on a subsystem-by-subsystem basis, so that a lethargic RCU reader will delay grace periods only within that reader's subsystem. Since each subsystem can have only a bounded number of memory blocks awaiting a grace period, and since the number of subsystems is also presumably bounded, the total amount of memory awaiting a grace period will also be bounded. The designer of a given subsystem is responsible for: (1) ensuring that SRCU read-side sleeping is bounded and (2) limiting the amount of memory waiting for `synchronize_srcu()`.<sup>1</sup>

This is precisely the approach that SRCU takes, as described in the following section.

## D.1.2 SRCU API and Usage

The SRCU API is shown in Figure D.2. The following sections describe how to use it.

```
int init_srcu_struct(struct srcu_struct *sp);
void cleanup_srcu_struct(struct srcu_struct *sp);
int srcu_read_lock(struct srcu_struct *sp);
void srcu_read_unlock(struct srcu_struct *sp, int idx);
void synchronize_srcu(struct srcu_struct *sp);
long srcu_batches_completed(struct srcu_struct *sp);
```

Figure D.2: SRCU API

### D.1.2.1 Initialization and Cleanup

Each subsystem using SRCU must create an `struct srcu_struct`, either by declaring a variable of this type or by dynamically allocating the memory, for example, via

<sup>1</sup> For example, an SRCU-protected hash table might have a lock per hash chain, thus allowing at most one block per hash chain to be waiting for `synchronize_srcu()`.

`kmalloc()`. Once this structure is in place, it must be initialized via `init_srcu_struct()`, which returns zero for success or an error code for failure (for example, upon memory exhaustion).

If the `struct srcu_struct` is dynamically allocated, then `cleanup_srcu_struct()` must be called before it is freed. Similarly, if the `struct srcu_struct` is a variable declared within a Linux kernel module, then `cleanup_srcu_struct()` must be called before the module is unloaded. Either way, the caller must take care to ensure that all SRCU read-side critical sections have completed (and that no more will commence) before calling `cleanup_srcu_struct()`. One way to accomplish this is described in Section D.1.2.4.

### D.1.2.2 Read-Side Primitives

The read-side `srcu_read_lock()` and `srcu_read_unlock()` primitives are used as shown:

```
1 idx = srcu_read_lock(&ss);
2 /* read-side critical section. */
3 srcu_read_unlock(&ss, idx);
```

The `ss` variable is the `struct srcu_struct` whose initialization was described in Section D.1.2.1, and the `idx` variable is an integer that in effect tells `srcu_read_unlock()` the grace period during which the corresponding `srcu_read_lock()` started.

This carrying of an index is a departure from the RCU API, which, when required, stores the equivalent information in the task structure. However, since a given task could potentially occupy an arbitrarily large number of nested SRCU read-side critical sections, SRCU cannot reasonably store this index in the task structure.

### D.1.2.3 Update-Side Primitives

The `synchronize_srcu()` primitives may be used as shown below:

```
1 list_del_rcu(p);
2 synchronize_srcu(&ss);
3 kfree(p);
```

As one might expect by analogy with Classic RCU, this primitive blocks until until after the completion of all SRCU read-side critical sections that started before the `synchronize_srcu()` started, as shown in Table D.1. Here, CPU 1 need only wait for the completion of CPU 0's SRCU read-side critical section. It need not wait for the completion of CPU 2's SRCU read-side critical section, because CPU 2 did not start this critical section until *after* CPU 1 began executing `synchronize_srcu()`. Finally, CPU 1's `synchronize_srcu()` need not wait for CPU 3's SRCU read-side critical section, because CPU 3 is using `s2` rather than `s1` as its `struct srcu_struct`. CPU 3's SRCU read-side critical section is thus related to a different set of grace periods than those of CPUs 0 and 2.

The `srcu_batches_completed()` primitive may be used to monitor the progress of a given `struct srcu_struct`'s grace periods. This primitive is used in "torture tests" that validate SRCU's operation.

	CPU 0	CPU 1	CPU 2	CPU 3
1	<code>i0 = srcu_read_lock(&amp;s1)</code>			<code>i3 = srcu_read_lock(&amp;s2)</code>
2		<code>synchronize_srcu(&amp;s1)</code> enter		
3			<code>i2 = srcu_read_lock(&amp;s1)</code>	
4	<code>srcu_read_unlock(&amp;s1, i0)</code>			
5		<code>synchronize_srcu(&amp;s1)</code> exit		
6			<code>srcu_read_unlock(&amp;s1, i2)</code>	

Table D.1: SRCU Update and Read-Side Critical Sections

#### D.1.2.4 Cleaning Up Safely

Cleaning up SRCU safely can be a challenge, but fortunately many uses need not do so. For example, uses in operating-system kernels that are initialized at boot time need not be cleaned up. However, uses within loadable modules must clean up if the corresponding module is to be safely unloaded.

In some cases, such as the RCU torture module, only a small known set of threads are using the SRCU read-side primitives against a particular `struct srcu_struct`. In these cases, the module-exit code need only kill that set of threads, wait for them to exit, and then clean up.

In other cases, for example, for device drivers, any thread in the system might be using the SRCU read-side primitives. Although one could apply the method of the previous paragraph, this ends up being equivalent to a full reboot, which can be unattractive. Figure D.3 shows one way that cleanup could be accomplished without a reboot.

```

1 int readside(void)
2 {
3     int idx;
4
5     rcu_read_lock();
6     if (nomoresrcu) {
7         rcu_read_unlock();
8         return -EINVAL;
9     }
10    idx = srcu_read_lock(&ss);
11    rcu_read_unlock();
12    /* SRCU read-side critical section. */
13    srcu_read_unlock(&ss, idx);
14    return 0;
15 }
16
17 void cleanup(void)
18 {
19     nomoresrcu = 1;
20     synchronize_rcu();
21     synchronize_srcu(&ss);
22     cleanup_srcu_struct(&ss);
23 }

```

Figure D.3: SRCU Safe Cleanup

The `readside()` function overlaps an RCU and an SRCU read-side critical section, with the former running from lines 5-11 and the latter running from lines 10-13. The RCU read-side critical section uses Pure RCU [McK04] to guard the value of the `nomoresrcu` variable. If this variable is set, we are cleaning up, and therefore must not enter the SRCU read-side critical section, so we return `-EINVAL` instead. On the other hand, if we are not yet cleaning up, we proceed into the SRCU read-side critical

section.

The `cleanup()` function first sets the `nomoresrcu` variable on line 19, but then must wait for all currently executing RCU read-side critical sections to complete via the `synchronize_rcu()` primitive on line 20. Once the `cleanup()` function reaches line 21, all calls to `readside()` that could possibly have seen `nomoresrcu` equal to zero must have already reached line 11, and therefore already must have entered their SRCU read-side critical section. All future calls to `readside()` will exit via line 8, and will thus refrain from entering the read-side critical section.

Therefore, once `cleanup()` completes its call to `synchronize_srcu()` on line 21, all SRCU read-side critical sections will have completed, and no new ones will be able to start. It is therefore safe on line 22 to call `cleanup_srcu_struct()` to clean up.

### D.1.3 Implementation

This section describes SRCU's data structures, initialization and cleanup primitives, read-side primitives, and update-side primitives.

#### D.1.3.1 Data Structures

SRCU's data structures are shown in Figure D.4, and are depicted schematically in Figure D.5. The `completed` field is a count of the number of grace periods since the `struct srcu` was initialized, and as shown in the diagram, its low-order bit is used to index the `struct srcu_struct_array`. The `per_cpu_ref` field points to the array, and the `mutex` field is used to permit but one `synchronize_srcu()` at a time to proceed.

```
1 struct srcu_struct_array {
2     int c[2];
3 };
4 struct srcu_struct {
5     int completed;
6     struct srcu_struct_array *per_cpu_ref;
7     struct mutex mutex;
8 };
```

Figure D.4: SRCU Data Structures

#### D.1.3.2 Initialization Implementation

SRCU's initialization function, `init_srcu_struct()`, is shown in Figure D.6. This function simply initializes the fields in the `struct srcu_struct`, returning zero if initialization succeeds or `-ENOMEM` otherwise.

SRCU's cleanup functions are shown in Figure D.7. The main cleanup function, `cleanup_srcu_struct()` is shown on lines 19-29 of this figure, however, it immediately invokes `srcu_readers_active()`, shown on lines 13-17 of this figure, to verify that there are no readers currently using this `struct srcu_struct`.

The `srcu_readers_active()` function simply returns the sum of `srcu_readers_active_idx()` on both possible indexes, while `srcu_readers_active_idx()`, as shown on lines 1-11, sums up the per-CPU counters corresponding to the specified index, returning the result.



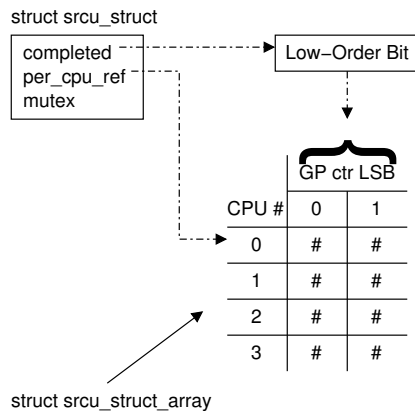


Figure D.5: SRCU Data-Structure Diagram

```

1 int init_srcu_struct(struct srcu_struct *sp)
2 {
3     sp->completed = 0;
4     mutex_init(&sp->mutex);
5     sp->per_cpu_ref =
6     alloc_percpu(struct srcu_struct_array);
7     return (sp->per_cpu_ref ? 0 : -ENOMEM);
8 }

```

Figure D.6: SRCU Initialization

If the value returned from `srcu_readers_active()` is non-zero, then `cleanup_srcu_struct()` issues a warning on line 24 and simply returns on lines 25 and 26, declining to destroy a `struct srcu_struct` that is still in use. Such a warning always indicates a bug, and given that the bug has been reported, it is better to allow the system to continue with a modest memory leak than to introduce possible memory corruption.

Otherwise, `cleanup_srcu_struct()` frees the array of per-CPU counters and NULLs the pointer on lines 27 and 28.

### D.1.3.3 Read-Side Implementation

The code implementing `srcu_read_lock()` is shown in Figure D.8. This function has been carefully constructed to avoid the need for memory barriers and atomic instructions.

Lines 5 and 11 disable and re-enable preemption, in order to force the sequence of code to execute unpreempted on a single CPU. Line 6 picks up the bottom bit of the grace-period counter, which will be used to select which rank of per-CPU counters is to be used for this SRCU read-side critical section. The `barrier()` call on line 7 is a directive to the compiler that ensures that the index is fetched but once,<sup>2</sup> so that the index used on line 9 is the same one returned on line 12. Lines 8-9 increment the selected counter for the current CPU.<sup>3</sup> Line 10 forces subsequent execution to occur

<sup>2</sup> Please note that, despite the name, `barrier()` has absolutely no effect on the CPU's ability to reorder execution of both code and of memory accesses.

<sup>3</sup> It is important to note that the `smp_processor_id()` primitive has long-term meaning only if

```

1 int srcu_readers_active_idx(struct srcu_struct *sp,
2                             int idx)
3 {
4     int cpu;
5     int sum;
6
7     sum = 0;
8     for_each_possible_cpu(cpu)
9         sum += per_cpu_ptr(sp->per_cpu_ref, cpu)->c[idx];
10    return sum;
11 }
12
13 int srcu_readers_active(struct srcu_struct *sp)
14 {
15     return srcu_readers_active_idx(sp, 0) +
16            srcu_readers_active_idx(sp, 1);
17 }
18
19 void cleanup_srcu_struct(struct srcu_struct *sp)
20 {
21     int sum;
22
23     sum = srcu_readers_active(sp);
24     WARN_ON(sum);
25     if (sum != 0)
26         return;
27     free_percpu(sp->per_cpu_ref);
28     sp->per_cpu_ref = NULL;
29 }

```

Figure D.7: SRCU Cleanup

*after* lines 8-9, in order to prevent to misordering of any code in a non-CONFIG\_PREEMPT build, but only from the perspective of an intervening interrupt handler. However, in a CONFIG\_PREEMPT kernel, the required `barrier()` call is embedded in the `preempt_enable()` on line 11, so the `srcu_barrier()` is a no-op in that case. Finally, line 12 returns the index so that it may be passed in to the corresponding `srcu_read_unlock()`.

```

1 int srcu_read_lock(struct srcu_struct *sp)
2 {
3     int idx;
4
5     preempt_disable();
6     idx = sp->completed & 0x1;
7     barrier();
8     per_cpu_ptr(sp->per_cpu_ref,
9                 smp_processor_id())->c[idx]++;
10    srcu_barrier();
11    preempt_enable();
12    return idx;
13 }

```

Figure D.8: SRCU Read-Side Acquisition

The code for `srcu_read_unlock()` is shown in Figure D.9. Again, lines 3 and 7 disable and re-enable preemption so that the whole code sequence executes unpreempted on a single CPU. In CONFIG\_PREEMPT kernels, the `preempt_disable()` on line 3 contains a `barrier()` primitive, otherwise, the `barrier()` is supplied by line 4. Again, this directive forces the subsequent code to execute after the critical 

---

preemption is disabled. In absence of preemption disabling, a potential preemption immediately following execution of this primitive could cause the subsequent code to execute on some other CPU.

section from the perspective of intervening interrupt handlers. Lines 5 and 6 decrement the counter for this CPU, but with the same index as was used by the corresponding `srcu_read_lock()`.

```
1 void srcu_read_unlock(struct srcu_struct *sp, int idx)
2 {
3     preempt_disable();
4     srcu_barrier();
5     per_cpu_ptr(sp->per_cpu_ref,
6                 smp_processor_id())->c[idx]--;
7     preempt_enable();
8 }
```

Figure D.9: SRCU Read-Side Release

The key point is that a given CPU’s counters can be observed by other CPUs only in cooperation with that CPU’s interrupt handlers. These interrupt handlers are responsible for ensuring that any needed memory barriers are executed prior to observing the counters.

#### D.1.3.4 Update-Side Implementation

The key point behind SRCU is that `synchronize_sched()` blocks until all currently-executing preempt-disabled regions of code complete. The `synchronize_srcu()` primitive makes heavy use of this effect, as can be seen in Figure D.10.

Line 5 takes a snapshot of the grace-period counter. Line 6 acquires the mutex, and lines 7-10 check to see whether at least two grace periods have elapsed since the snapshot, and, if so, releases the lock and returns — in this case, someone else has done our work for us. Otherwise, line 11 guarantees that any other CPU that sees the incremented value of the grace period counter in `srcu_read_lock()` also sees any changes made by this CPU prior to entering `synchronize_srcu()`. This guarantee is required to make sure that any SRCU read-side critical sections not blocking the next grace period have seen any prior changes.

Line 12 fetches the bottom bit of the grace-period counter for later use as an index into the per-CPU counter arrays, and then line 13 increments the grace-period counter. Line 14 then waits for any currently-executing `srcu_read_lock()` to complete, so that by the time that we reach line 15, all extant instances of `srcu_read_lock()` will be using the updated value from `sp->completed`. Therefore, the counters sampled in by `srcu_readers_active_idx()` on line 15 are guaranteed to be monotonically decreasing, so that once their sum reaches zero, it is guaranteed to stay there.

However, there are no memory barriers in the `srcu_read_unlock()` primitive, so the CPU is within its rights to reorder the counter decrement up into the SRCU critical section, so that references to an SRCU-protected data structure could in effect “bleed out” of the SRCU critical section. This scenario is addressed by the `synchronize_sched()` on line 17, which blocks until all other CPUs executing in `preempt_disable()` code sequences (such as that in `srcu_read_unlock()`) complete these sequences. Because completion of a given `preempt_disable()` code sequence is observed from the CPU executing that sequence, completion of the sequence implies completion of any prior SRCU read-side critical section. Any required memory barriers are supplied by the code making the observation.

At this point, it is therefore safe to release the mutex as shown on line 18 and return to the caller, who can now be assured that all SRCU read-side critical sections sharing the same `struct srcu_struct` will observe any update made prior to the call to `synchronize_srcu()`.

```

1 void synchronize_srcu(struct srcu_struct *sp)
2 {
3     int idx;
4
5     idx = sp->completed;
6     mutex_lock(&sp->mutex);
7     if ((sp->completed - idx) >= 2) {
8         mutex_unlock(&sp->mutex);
9         return;
10    }
11    synchronize_sched();
12    idx = sp->completed & 0x1;
13    sp->completed++;
14    synchronize_sched();
15    while (srcu_readers_active_idx(sp, idx))
16        schedule_timeout_interruptible(1);
17    synchronize_sched();
18    mutex_unlock(&sp->mutex);
19 }

```

Figure D.10: SRCU Update-Side Implementation

**Quick Quiz D.3:** Why is it OK to assume that updates separated by `synchronize_sched()` will be performed in order? ■

**Quick Quiz D.4:** Why must line 17 in `synchronize_srcu()` (Figure D.10) precede the release of the mutex on line 18? What would have to change to permit these two lines to be interchanged? Would such a change be worthwhile? Why or why not? ■

## D.1.4 SRCU Summary

SRCU provides an RCU-like set of primitives that permit general sleeping in the SRCU read-side critical sections. However, it is important to note that SRCU has been used only in prototype code, though it has passed the RCU torture test. It will be very interesting to see what use, if any, SRCU sees in the future.

## D.2 Hierarchical RCU Overview

Although Classic RCU's read-side primitives enjoy excellent performance and scalability, the update-side primitives, which determine when pre-existing read-side critical sections have finished, were designed with only a few tens of CPUs in mind. Their scalability is limited by a global lock that must be acquired by each CPU at least once during each grace period. Although Classic RCU actually scales to a couple of hundred CPUs, and can be tweaked to scale to roughly a thousand CPUs (but at the expense of extending grace periods), emerging multicore systems will require it to scale better.

In addition, Classic RCU has a sub-optimal dynticks interface, with the result that Classic RCU will wake up every CPU at least once per grace period. To see the problem with this, consider a 16-CPU system that is sufficiently lightly loaded that it is keeping only four CPUs busy. In a perfect world, the remaining twelve CPUs could be put into deep sleep mode in order to conserve energy. Unfortunately, if the four busy CPUs are frequently performing RCU updates, those twelve idle CPUs will be awakened

frequently, wasting significant energy. Thus, any major change to Classic RCU should also leave sleeping CPUs lie.

Both the classic and the hierarchical implementations have Classic RCU semantics and identical APIs, however, the old implementation will be called “classic RCU” and the new implementation will be called “hierarchical RCU”.

Section D.2.1 gives a brief review of RCU fundamentals and Section D.2.2 gives a brief overview of the old “Classic RCU” implementation. Section D.2.3 lists RCU desiderata, Sections D.2.4 and D.2.5 lay out design considerations for scalability and energy efficiency, respectively, and Section D.2.6 describes the hierarchical RCU state machine. Section D.2.7, Section D.2.8 covers testing, and finally, Section D.2.9 presents concluding remarks.

## D.2.1 Review of RCU Fundamentals

In its most basic form, RCU is a way of waiting for things to finish. Of course, there are a great many other ways of waiting for things to finish, including reference counts, reader-writer locks, events, and so on. The great advantage of RCU is that it can wait for each of (say) 20,000 different things without having to explicitly track each and every one of them, and without having to worry about the performance degradation, scalability limitations, complex deadlock scenarios, and memory-leak hazards that are inherent in schemes using explicit tracking.

In RCU’s case, the things waited on are called “RCU read-side critical sections”. An RCU read-side critical section starts with an `rcu_read_lock()` primitive, and ends with a corresponding `rcu_read_unlock()` primitive. RCU read-side critical sections can be nested, and may contain pretty much any code, as long as that code does not explicitly block or sleep (although a special form of RCU called SRCU, described in Section D.1 does permit general sleeping in SRCU read-side critical sections). If you abide by these conventions, you can use RCU to wait for *any* desired piece of code to complete.

RCU accomplishes this feat by indirectly determining when these other things have finished, as has been described elsewhere [MS98a] for classic RCU and Section D.4 for preemptible RCU.

In particular, as shown in the Figure 9.19 on page 184, RCU is a way of waiting for pre-existing RCU read-side critical sections to completely finish, also including the memory operations executed by those critical sections.

However, note that RCU read-side critical sections that begin after the beginning of a given grace period can and will extend beyond the end of that grace period.

The following section gives a very high-level view of how the Classic RCU implementation operates.

## D.2.2 Brief Overview of Classic RCU Implementation

The key concept behind the Classic RCU implementation is that Classic RCU read-side critical sections are confined to kernel code and are not permitted to block. This means that any time a given CPU is seen either blocking, in the idle loop, or exiting the kernel, we know that all RCU read-side critical sections that were previously running on that CPU must have completed. Such states are called “quiescent states”, and after each CPU has passed through at least one quiescent state, the RCU grace period ends.

Classic RCU’s most important data structure is the `rcu_ctrlblk` structure, which contains the `->cpumask` field, which contains one bit per CPU, as shown in Fig-

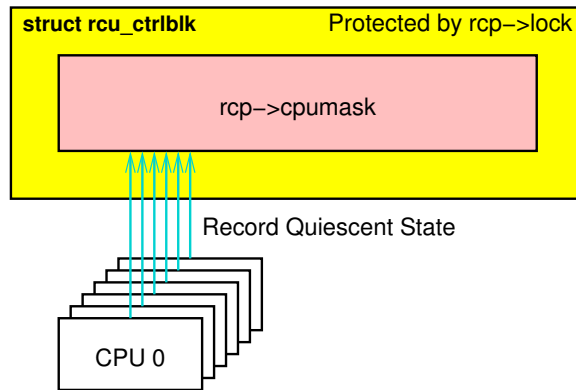


Figure D.11: Flat Classic RCU State

ure D.11. Each CPU's bit is set to one at the beginning of each grace period, and each CPU must clear its bit after it passes through a quiescent state. Because multiple CPUs might want to clear their bits concurrently, which would corrupt the `->cpumask` field, a `->lock` spinlock is used to protect `->cpumask`, preventing any such corruption. Unfortunately, this spinlock can also suffer extreme contention if there are more than a few hundred CPUs, which might soon become quite common if multicore trends continue. Worse yet, the fact that *all* CPUs must clear their own bit means that CPUs are not permitted to sleep through a grace period, which limits Linux's ability to conserve power.

The next section lays out what we need from a new non-real-time RCU implementation.

### D.2.3 RCU Desiderata

The list of real-time RCU desiderata [MS05] is a very good start:

1. Deferred destruction, so that an RCU grace period cannot end until all pre-existing RCU read-side critical sections have completed.
2. Reliable, so that RCU supports 24x7 operation for years at a time.
3. Callable from irq handlers.
4. Contained memory footprint, so that mechanisms exist to expedite grace periods if there are too many callbacks. (This is weakened from the LCA2005 list.)
5. Independent of memory blocks, so that RCU can work with any conceivable memory allocator.
6. Synchronization-free read side, so that only normal non-atomic instructions operating on CPU- or task-local memory are permitted. (This is strengthened from the LCA2005 list.)
7. Unconditional read-to-write upgrade, which is used in several places in the Linux kernel where the update-side lock is acquired within the RCU read-side critical section.

8. Compatible API.
9. Because this is not to be a real-time RCU, the requirement for preemptible RCU read-side critical sections can be dropped. However, we need to add the following new requirements to account for changes over the past few years.
10. Scalability with extremely low internal-to-RCU lock contention. RCU must support at least 1,024 CPUs gracefully, and preferably at least 4,096.
11. Energy conservation: RCU must be able to avoid awakening low-power-state dynticks-idle CPUs, but still determine when the current grace period ends. This has been implemented in real-time RCU, but needs serious simplification.
12. RCU read-side critical sections must be permitted in NMI handlers as well as irq handlers. Note that preemptible RCU was able to avoid this requirement due to a separately implemented `synchronize_sched()`.
13. RCU must operate gracefully in face of repeated CPU-hotplug operations. This is simply carrying forward a requirement met by both classic and real-time.
14. It must be possible to wait for all previously registered RCU callbacks to complete, though this is already provided in the form of `rcu_barrier()`.
15. Detecting CPUs that are failing to respond is desirable, to assist diagnosis both of RCU and of various infinite loop bugs and hardware failures that can prevent RCU grace periods from ending.
16. Extreme expediting of RCU grace periods is desirable, so that an RCU grace period can be forced to complete within a few hundred microseconds of the last relevant RCU read-side critical section completing. However, such an operation would be expected to incur severe CPU overhead, and would be primarily useful when carrying out a long sequence of operations that each needed to wait for an RCU grace period.

The most pressing of the new requirements is the first one, scalability. The next section therefore describes how to make order-of-magnitude reductions in contention on RCU's internal locks.

## D.2.4 Towards a More Scalable RCU Implementation

One effective way to reduce lock contention is to create a hierarchy, as shown in Figure D.12. Here, each of the four `rcu_node` structures has its own lock, so that only CPUs 0 and 1 will acquire the lower left `rcu_node`'s lock, only CPUs 2 and 3 will acquire the lower middle `rcu_node`'s lock, and only CPUs 4 and 5 will acquire the lower right `rcu_node`'s lock. During any given grace period, only one of the CPUs accessing each of the lower `rcu_node` structures will access the upper `rcu_node`, namely, the last of each pair of CPUs to record a quiescent state for the corresponding grace period.

This results in a significant reduction in lock contention: instead of six CPUs contending for a single lock each grace period, we have only three for the upper `rcu_node`'s lock (a reduction of 50%) and only two for each of the lower `rcu_nodes`' locks (a reduction of 67%).

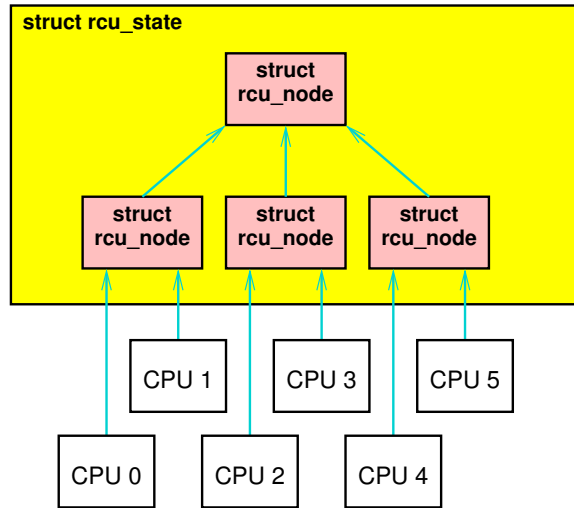


Figure D.12: Hierarchical RCU State

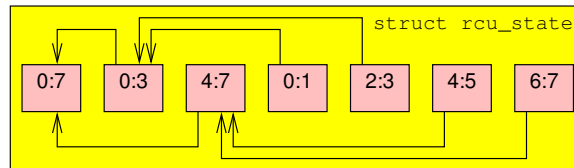


Figure D.13: Mapping rcu\_node Hierarchy Into Array

The tree of rcu\_node structures is embedded into a linear array in the rcu\_state structure, with the root of the tree in element zero, as shown in Figure D.13 for an eight-CPU system with a three-level hierarchy. Each arrow links a given rcu\_node structure to its parent, representing the rcu\_node's `->parent` field. Each rcu\_node indicates the range of CPUs covered, so that the root node covers all of the CPUs, each node in the second level covers half of the CPUs, and each node in the leaf level covering a pair of CPUs. This array is allocated statically at compile time based on the value of NR\_CPUS.

The sequence of diagrams in Figure D.14 shows how grace periods are detected. In the first figure, no CPU has yet passed through a quiescent state, as indicated by the red rectangles. Suppose that all six CPUs simultaneously try to tell RCU that they have passed through a quiescent state. Only one of each pair will be able to acquire the lock on the corresponding lower rcu\_node, and so the second figure shows the result if the lucky CPUs are numbers 0, 3, and 5, as indicated by the green rectangles. Once these lucky CPUs have finished, then the other CPUs will acquire the lock, as shown in the third figure. Each of these CPUs will see that they are the last in their group, and therefore all three will attempt to move to the upper rcu\_node. Only one at a time can acquire the upper rcu\_node structure's lock, and the fourth, fifth, and sixth figures show the sequence of states assuming that CPU 1, CPU 2, and CPU 4 acquire the lock in that order. The sixth and final figure in the group shows that all CPUs have passed



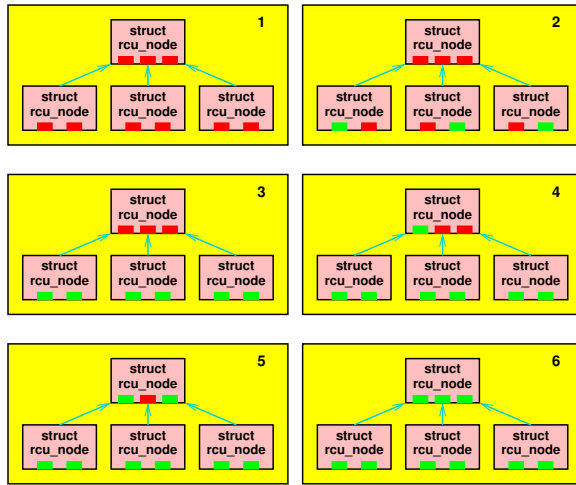


Figure D.14: Hierarchical RCU Grace Period

through a quiescent state, so that the grace period has ended.

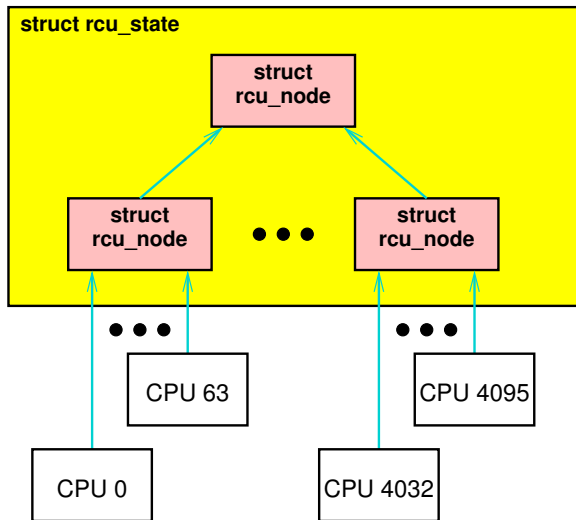


Figure D.15: Hierarchical RCU State 4,096 CPUs

In the above sequence, there were never more than three CPUs contending for any one lock, in happy contrast to Classic RCU, where all six CPUs might contend. However, even more dramatic reductions in lock contention are possible with larger numbers of CPUs. Consider a hierarchy of `rcu_node` structures, with 64 lower structures and  $64 \times 64 = 4,096$  CPUs, as shown in Figure D.15.

Here each of the lower `rcu_node` structures' locks are acquired by 64 CPUs, a 64-times reduction from the 4,096 CPUs that would acquire Classic RCU's single global lock. Similarly, during a given grace period, only one CPU from each of the lower

`rcu_node` structures will acquire the upper `rcu_node` structure's lock, which is again a 64x reduction from the contention level that would be experienced by Classic RCU running on a 4,096-CPU system.

**Quick Quiz D.5:** Wait a minute! With all those new locks, how do you avoid deadlock? ■

**Quick Quiz D.6:** Why stop at a 64-times reduction? Why not go for a few orders of magnitude instead? ■

**Quick Quiz D.7:** But I don't care about McKenney's lame excuses in the answer to Quick Quiz 2!!! I want to get the number of CPUs contending on a single lock down to something reasonable, like sixteen or so!!! ■

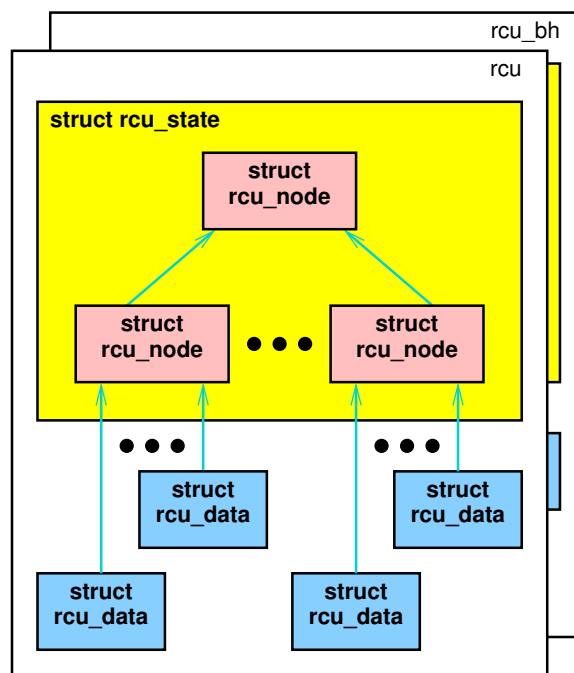


Figure D.16: Hierarchical RCU State With BH

The implementation maintains some per-CPU data, such as lists of RCU callbacks, organized into `rcu_data` structures. In addition, `rcu` (as in `call_rcu()`) and `rcu_bh` (as in `call_rcu_bh()`) each maintain their own hierarchy, as shown in Figure D.16.

**Quick Quiz D.8:** OK, so what is the story with the colors? ■

The next section discusses energy conservation.

## D.2.5 Towards a Greener RCU Implementation

As noted earlier, an important goal of this effort is to leave sleeping CPUs lie in order to promote energy conservation. In contrast, classic RCU will happily awaken each and every sleeping CPU at least once per grace period in some cases, which is suboptimal in the case where a small number of CPUs are busy doing RCU updates and the majority of the CPUs are mostly idle. This situation occurs frequently in systems sized for peak loads, and we need to be able to accommodate it gracefully. Furthermore, we need to fix

a long-standing bug in Classic RCU where a dynticks-idle CPU servicing an interrupt containing a long-running RCU read-side critical section will fail to prevent an RCU grace period from ending.

**Quick Quiz D.9:** Given such an egregious bug, why does Linux run at all? ■

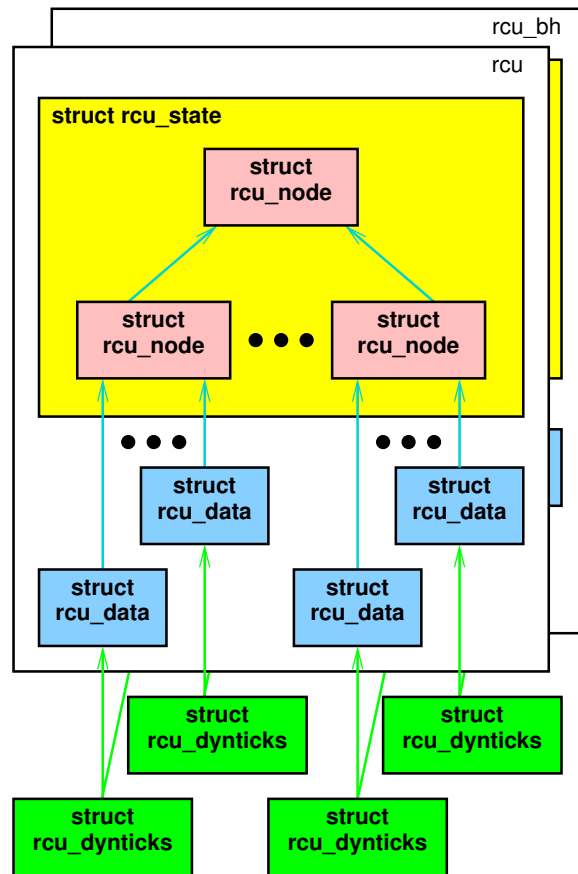


Figure D.17: Hierarchical RCU State With Dynticks

This is accomplished by requiring that all CPUs manipulate counters located in a per-CPU `rcu_dynticks` structure. Loosely speaking, these counters have even-numbered values when the corresponding CPU is in dynticks idle mode, and have odd-numbered values otherwise. RCU thus needs to wait for quiescent states only for those CPUs whose `rcu_dynticks` counters are odd, and need not wake up sleeping CPUs, whose counters will be even. As shown in Figure D.17, each per-CPU `rcu_dynticks` structure is shared by the “rcu” and “rcu\_bh” implementations.

The following section presents a high-level view of the RCU state machine.

## D.2.6 State Machine

At a sufficiently high level, Linux-kernel RCU implementations can be thought of as high-level state machines as shown in Figure D.18. The common-case path through this state machine on a busy system goes through the two uppermost loops, initializing at

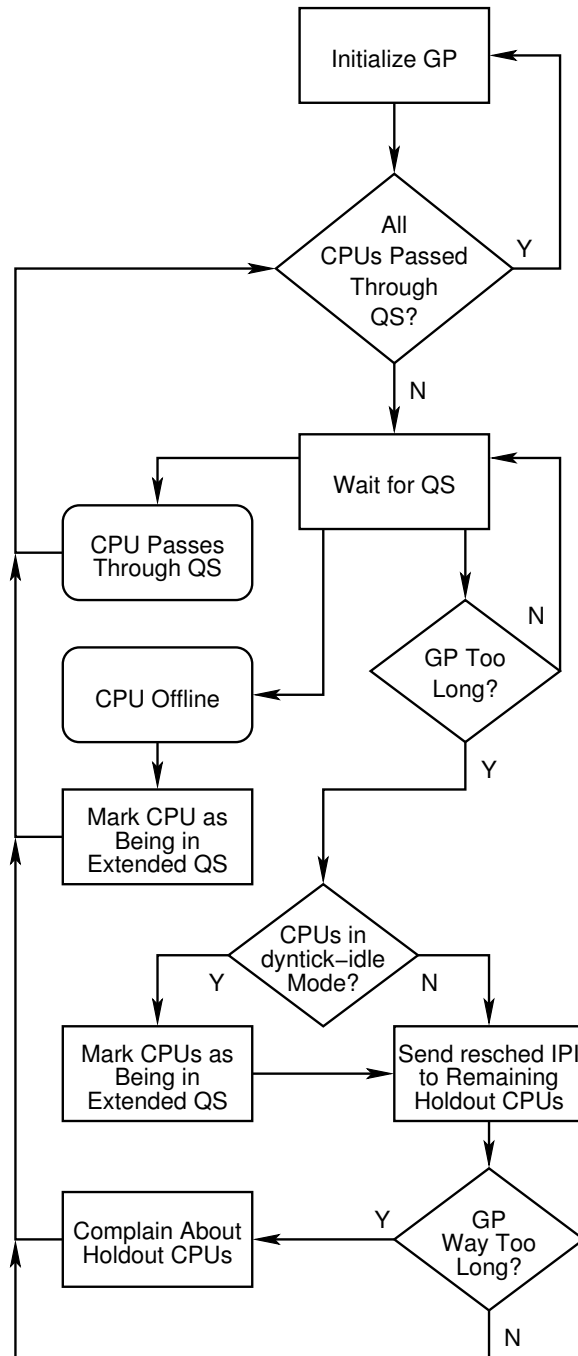


Figure D.18: Generic RCU State Machine

the beginning of each grace period (GP), waiting for quiescent states (QS), and noting when each CPU passes through its first quiescent state for a given grace period. On such a system, quiescent states will occur on each context switch, or, for CPUs that are either idle or executing user-mode code, each scheduling-clock interrupt. CPU-hotplug events will take the state machine through the “CPU Offline” box, while the presence of “holdout” CPUs that fail to pass through quiescent states quickly enough will exercise the path through the “Send resched IPIs to Holdout CPUs” box. RCU implementations that avoid unnecessarily awakening dyntick-idle CPUs will mark those CPUs as being in an extended quiescent state, taking the “Y” branch out of the “CPUs in dyntick-idle Mode?” decision diamond (but note that CPUs in dyntick-idle mode will *not* be sent resched IPIs). Finally, if CONFIG\_RCU\_CPU\_STALL\_DETECTOR is enabled, truly excessive delays in reaching quiescent states will exercise the “Complain About Holdout CPUs” path.

**Quick Quiz D.10:** But doesn't this state diagram indicate that dyntick-idle CPUs will get hit with reschedule IPIs? Won't that wake them up? ■

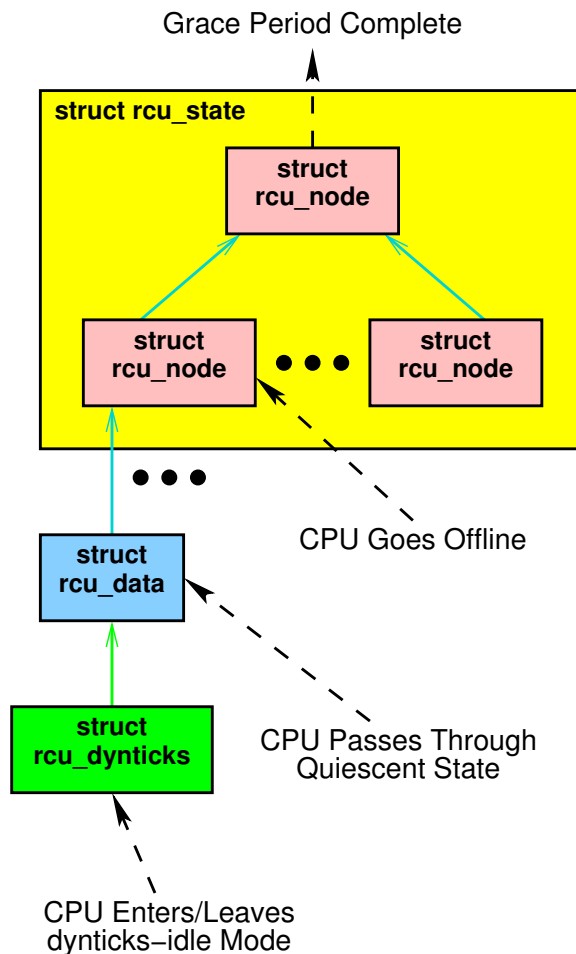


Figure D.19: RCU State Machine and Hierarchical RCU Data Structures

The events in the above state schematic interact with different data structures, as shown in Figure D.19. However, the state schematic does not directly translate into C code for any of the RCU implementations. Instead, these implementations are coded as an event-driven system within the kernel. Therefore, the following section describes some “use cases”, or ways in which the RCU algorithm traverses the above state schematic as well as the relevant data structures.

## D.2.7 Use Cases

This section gives an overview of several “use cases” within the RCU implementation, listing the data structures touched and the functions invoked. The use cases are as follows:

1. Start a New Grace Period (Section D.2.7.1)
2. Pass Through a Quiescent State (Section D.2.7.2)
3. Announce a Quiescent State to RCU (Section D.2.7.3)
4. Enter and Leave Dynticks Idle Mode (Section D.2.7.4)
5. Interrupt from Dynticks Idle Mode (Section D.2.7.5)
6. NMI from Dynticks Idle Mode (Section D.2.7.6)
7. Note That a CPU is in Dynticks Idle Mode (Section D.2.7.7)
8. Offline a CPU (Section D.2.7.8)
9. Online a CPU (Section D.2.7.9)
10. Detect a Too-Long Grace Period (Section D.2.7.10)

Each of these use cases is described in the following sections.

### D.2.7.1 Start a New Grace Period

The `rcu_start_gp()` function starts a new grace period. This function is invoked when a CPU having callbacks waiting for a grace period notices that no grace period is in progress.

The `rcu_start_gp()` function updates state in the `rcu_state` and `rcu_data` structures to note the newly started grace period, acquires the `->onoff` lock (and disables irqs) to exclude any concurrent CPU-hotplug operations, sets the bits in all of the `rcu_node` structures to indicate that all CPUs (including this one) must pass through a quiescent state, and finally releases the `->onoff` lock.

The bit-setting operation is carried out in two phases. First, the non-leaf `rcu_node` structures’ bits are set without holding any additional locks, and then finally each leaf `rcu_node` structure’s bits are set in turn while holding that structure’s `->lock`.

**Quick Quiz D.11:** But what happens if a CPU tries to report going through a quiescent state (by clearing its bit) before the bit-setting CPU has finished? ■

**Quick Quiz D.12:** And what happens if *all* CPUs try to report going through a quiescent state before the bit-setting CPU has finished, thus ending the new grace period before it starts? ■

### D.2.7.2 Pass Through a Quiescent State

The `rcu` and `rcu_bh` flavors of RCU have different sets of quiescent states. Quiescent states for `rcu` are context switch, idle (either dynticks or the idle loop), and user-mode execution, while quiescent states for `rcu_bh` are any code outside of softirq with interrupts enabled. Note that an quiescent state for `rcu` is also a quiescent state for `rcu_bh`. Quiescent states for `rcu` are recorded by invoking `rcu_qsctr_inc()`, while quiescent states for `rcu_bh` are recorded by invoking `rcu_bh_qsctr_inc()`. These two functions record their state in the current CPU's `rcu_data` structure.

These functions are invoked from the scheduler, from `__do_softirq()`, and from `rcu_check_callbacks()`. This latter function is invoked from the scheduling-clock interrupt, and analyzes state to determine whether this interrupt occurred within a quiescent state, invoking `rcu_qsctr_inc()` and/or `rcu_bh_qsctr_inc()`, as appropriate. It also raises `RCU_SOFTIRQ`, which results in `rcu_process_callbacks()` being invoked on the current CPU at some later time from softirq context.

### D.2.7.3 Announce a Quiescent State to RCU

The afore-mentioned `rcu_process_callbacks()` function has several duties:

1. Determining when to take measures to end an over-long grace period (via `force_quiescent_state()`).
2. Taking appropriate action when some other CPU detected the end of a grace period (via `rcu_process_gp_end()`). “Appropriate action“ includes advancing this CPU's callbacks and recording the new grace period. This same function updates state in response to some other CPU starting a new grace period.
3. Reporting the current CPU's quiescent states to the core RCU mechanism (via `rcu_check_quiescent_state()`, which in turn invokes `cpu_quiet()`). This of course might mark the end of the current grace period.
4. Starting a new grace period if there is no grace period in progress and this CPU has RCU callbacks still waiting for a grace period (via `cpu_needs_another_gp()` and `rcu_start_gp()`).
5. Invoking any of this CPU's callbacks whose grace period has ended (via `rcu_do_batch()`).

These interactions are carefully orchestrated in order to avoid buggy behavior such as reporting a quiescent state from the previous grace period against the current grace period.

### D.2.7.4 Enter and Leave Dynticks Idle Mode

The scheduler invokes `rcu_enter_nohz()` to enter dynticks-idle mode, and invokes `rcu_exit_nohz()` to exit it. The `rcu_enter_nohz()` function increments a per-CPU `dynticks_nesting` variable and also a per-CPU `dynticks` counter, the latter of which must then have an even-numbered value. The `rcu_exit_nohz()` function decrements this same per-CPU `dynticks_nesting` variable, and again increments the per-CPU `dynticks` counter, the latter of which must then have an odd-numbered value.

The `dynticks` counter can be sampled by other CPUs. If the value is even, the first CPU is in an extended quiescent state. Similarly, if the counter value changes during a given grace period, the first CPU must have been in an extended quiescent state at some point during the grace period. However, there is another `dynticks_nmi` per-CPU variable that must also be sampled, as will be discussed below.

#### D.2.7.5 Interrupt from Dynticks Idle Mode

Interrupts from dynticks idle mode are handled by `rcu_irq_enter()` and `rcu_irq_exit()`. The `rcu_irq_enter()` function increments the per-CPU `dynticks_nesting` variable, and, if the prior value was zero, also increments the `dynticks` per-CPU variable (which must then have an odd-numbered value).

The `rcu_irq_exit()` function decrements the per-CPU `dynticks_nesting` variable, and, if the new value is zero, also increments the `dynticks` per-CPU variable (which must then have an even-numbered value).

Note that entering an irq handler exits dynticks idle mode and vice versa. This enter/exit anti-correspondence can cause much confusion. You have been warned.

#### D.2.7.6 NMI from Dynticks Idle Mode

NMIs from dynticks idle mode are handled by `rcu_nmi_enter()` and `rcu_nmi_exit()`. These functions both increment the `dynticks_nmi` counter, but only if the aforementioned `dynticks` counter is even. In other words, NMI's refrain from manipulating the `dynticks_nmi` counter if the NMI occurred in non-dynticks-idle mode or within an interrupt handler.

The only difference between these two functions is the error checks, as `rcu_nmi_enter()` must leave the `dynticks_nmi` counter with an odd value, and `rcu_nmi_exit()` must leave this counter with an even value.

#### D.2.7.7 Note That a CPU is in Dynticks Idle Mode

The `force_quiescent_state()` function implements a three-phase state machine. The first phase (`RCU_INITIALIZING`) waits for `rcu_start_gp()` to complete grace-period initialization. This state is not exited by `force_quiescent_state()`, but rather by `rcu_start_gp()`.

In the second phase (`RCU_SAVE_DYNTICK`), the `dyntick_save_progress_counter()` function scans the CPUs that have not yet reported a quiescent state, recording their per-CPU `dynticks` and `dynticks_nmi` counters. If these counters both have even-numbered values, then the corresponding CPU is in dynticks-idle state, which is therefore noted as an extended quiescent state (reported via `cpu_quiet_msk()`).

In the third phase (`RCU_FORCE_QS`), the `rcu_implicit_dynticks_qs()` function again scans the CPUs that have not yet reported a quiescent state (either explicitly or implicitly during the `RCU_SAVE_DYNTICK` phase), again checking the per-CPU `dynticks` and `dynticks_nmi` counters. If each of these has either changed in value or is now even, then the corresponding CPU has either passed through or is now in dynticks idle, which as before is noted as an extended quiescent state.

If `rcu_implicit_dynticks_qs()` finds that a given CPU has neither been in dynticks idle mode nor reported a quiescent state, it invokes `rcu_implicit_offline_qs()`, which checks to see if that CPU is offline, which is also reported as



an extended quiescent state. If the CPU is online, then `rcu_implicit_offline_qs()` sends it a reschedule IPI in an attempt to remind it of its duty to report a quiescent state to RCU.

Note that `force_quiescent_state()` does not directly invoke either `dyntick_save_progress_counter()` or `rcu_implicit_dynticks_qs()`, instead passing these functions to an intervening `rcu_process_dyntick()` function that abstracts out the common code involved in scanning the CPUs and reporting extended quiescent states.

**Quick Quiz D.13:** And what happens if one CPU comes out of dyntick-idle mode and then passed through a quiescent state just as another CPU notices that the first CPU was in dyntick-idle mode? Couldn't they both attempt to report a quiescent state at the same time, resulting in confusion? ■

**Quick Quiz D.14:** But what if *all* the CPUs end up in dyntick-idle mode? Wouldn't that prevent the current RCU grace period from ever ending? ■

**Quick Quiz D.15:** Given that `force_quiescent_state()` is a three-phase state machine, don't we have triple the scheduling latency due to scanning all the CPUs? ■

#### D.2.7.8 Offline a CPU

CPU-offline events cause `rcu_cpu_notify()` to invoke `rcu_offline_cpu()`, which in turn invokes `__rcu_offline_cpu()` on both the `rcu` and the `rcu_bh` instances of the data structures. This function clears the outgoing CPU's bits so that future grace periods will not expect this CPU to announce quiescent states, and further invokes `cpu_quiet()` in order to announce the offline-induced extended quiescent state. This work is performed with the global `->onofflock` held in order to prevent interference with concurrent grace-period initialization.

**Quick Quiz D.16:** But the other reason to hold `->onofflock` is to prevent multiple concurrent online/offline operations, right? ■

#### D.2.7.9 Online a CPU

CPU-online events cause `rcu_cpu_notify()` to invoke `rcu_online_cpu()`, which initializes the incoming CPU's dynticks state, and then invokes `rcu_init_percpu_data()` to initialize the incoming CPU's `rcu_data` structure, and also to set this CPU's bits (again protected by the global `->onofflock`) so that future grace periods will wait for a quiescent state from this CPU. Finally, `rcu_online_cpu()` sets up the RCU softirq vector for this CPU.

**Quick Quiz D.17:** Given all these acquisitions of the global `->onofflock`, won't there be horrible lock contention when running with thousands of CPUs? ■

**Quick Quiz D.18:** Why not simplify the code by merging the detection of dyntick-idle CPUs with that of offline CPUs? ■

#### D.2.7.10 Detect a Too-Long Grace Period

When the `CONFIG_RCU_CPU_STALL_DETECTOR` kernel parameter is specified, the `record_gp_stall_check_time()` function records the time and also a timestamp set three seconds into the future. If the current grace period still has not ended by that time, the `check_cpu_stall()` function will check for the culprit, invoking

`print_cpu_stall()` if the current CPU is the holdout, or `print_other_cpu_stall()` if it is some other CPU. A two-jiffies offset helps ensure that CPUs report on themselves when possible, taking advantage of the fact that a CPU can normally do a better job of tracing its own stack than it can tracing some other CPU's stack.

## D.2.8 Testing

RCU is fundamental synchronization code, so any failure of RCU results in random, difficult-to-debug memory corruption. It is therefore extremely important that RCU be *highly* reliable. Some of this reliability stems from careful design, but at the end of the day we must also rely on heavy stress testing, otherwise known as torture.

Fortunately, although there has been some debate as to exactly what populations are covered by the provisions of the Geneva Convention it is still the case that it does not apply to software. Therefore, it is still legal to torture your software. In fact, it is strongly encouraged, because if you don't torture your software, it will end up torturing *you* by crashing at the most inconvenient times imaginable.

Therefore, we torture RCU quite vigorously using the `rcutorture` module.

However, it is not sufficient to torture the common-case uses of RCU. It is also necessary to torture it in unusual situations, for example, when concurrently onlining and offlining CPUs and when CPUs are concurrently entering and exiting dynticks idle mode. I use a simple scripts to online and offline CPUs that runs concurrently with the `rcutorture` module. This module is given the `test_no_idle_hz` module parameter in order to stress-test dynticks idle mode. Just to be fully paranoid, I sometimes run a `kernbench` workload in parallel as well. Ten hours of this sort of torture on a 128-way machine seems sufficient to shake out most bugs.

Even this is not the complete story. As Alexey Dobriyan and Nick Piggin demonstrated in early 2008, it is also necessary to torture RCU with all relevant combinations of kernel parameters. The relevant kernel parameters may be identified using yet another simple script, and are as follows:

1. `CONFIG_CLASSIC_RCU`: Classic RCU.
2. `CONFIG_PREEMPT_RCU`: Preemptible (real-time) RCU.
3. `CONFIG_TREE_RCU`: Classic RCU for huge SMP systems.
4. `CONFIG_RCU_FANOUT`: Number of children for each `rcu_node`.
5. `CONFIG_RCU_FANOUT_EXACT`: Balance the `rcu_node` tree.
6. `CONFIG_HOTPLUG_CPU`: Allow CPUs to be offlined and onlined.
7. `CONFIG_NO_HZ`: Enable dyntick-idle mode.
8. `CONFIG_SMP`: Enable multi-CPU operation.
9. `CONFIG_RCU_CPU_STALL_DETECTOR`: Enable RCU to detect when CPUs go on extended quiescent-state vacations.
10. `CONFIG_RCU_TRACE`: Generate RCU trace files in debugfs.

We ignore the `CONFIG_DEBUG_LOCK_ALLOC` configuration variable under the perhaps-naive assumption that hierarchical RCU could not have broken lockdep. There are still 10 configuration variables, which would result in 1,024 combinations if they were independent boolean variables. Fortunately the first three are mutually exclusive, which reduces the number of combinations down to 384, but `CONFIG_RCU_FANOUT` can take on values from 2 to 64, increasing the number of combinations to 12,096. This is an infeasible number of combinations.

One key observation is that only `CONFIG_NO_HZ` and `CONFIG_PREEMPT` can be expected to have changed behavior if either `CONFIG_CLASSIC_RCU` or `CONFIG_PREEMPT_RCU` are in effect, as only these portions of the two pre-existing RCU implementations were changed during this effort. This cuts out almost two thirds of the possible combinations.

Furthermore, not all of the possible values of `CONFIG_RCU_FANOUT` produce significantly different results, in fact only a few cases really need to be tested separately:

1. Single-node “tree”.
2. Two-level balanced tree.
3. Three-level balanced tree.
4. Autobalanced tree, where `CONFIG_RCU_FANOUT` specifies an unbalanced tree, but such that it is auto-balanced in absence of `CONFIG_RCU_FANOUT_EXACT`.
5. Unbalanced tree.

Looking further, `CONFIG_HOTPLUG_CPU` makes sense only given `CONFIG_SMP`, and `CONFIG_RCU_CPU_STALL_DETECTOR` is independent, and really only needs to be tested once (though someone even more paranoid than am I might decide to test it both with and without `CONFIG_SMP`). Similarly, `CONFIG_RCU_TRACE` need only be tested once, but the truly paranoid (such as myself) will choose to run it both with and without `CONFIG_NO_HZ`.

This allows us to obtain excellent coverage of RCU with only 15 test cases. All test cases specify the following configuration parameters in order to run `rcutorture` and so that `CONFIG_HOTPLUG_CPU=n` actually takes effect:

```
CONFIG_RCU_TORTURE_TEST=m
CONFIG_MODULE_UNLOAD=y
CONFIG_SUSPEND=n
CONFIG_HIBERNATION=n
```

The 15 test cases are as follows:

1. Force single-node “tree” for small systems:

```
CONFIG_NR_CPUS=8
CONFIG_RCU_FANOUT=8
CONFIG_RCU_FANOUT_EXACT=n
CONFIG_RCU_TRACE=y
CONFIG_PREEMPT_RCU=n
CONFIG_CLASSIC_RCU=n
CONFIG_TREE_RCU=y
```

2. Force two-level tree for large systems:

```
CONFIG_NR_CPUS=8
CONFIG_RCU_FANOUT=4
CONFIG_RCU_FANOUT_EXACT=n
CONFIG_RCU_TRACE=n
CONFIG_PREEMPT_RCU=n
CONFIG_CLASSIC_RCU=n
CONFIG_TREE_RCU=y
```

### 3. Force three-level tree for huge systems:

```
CONFIG_NR_CPUS=8
CONFIG_RCU_FANOUT=2
CONFIG_RCU_FANOUT_EXACT=n
CONFIG_RCU_TRACE=y
CONFIG_PREEMPT_RCU=n
CONFIG_CLASSIC_RCU=n
CONFIG_TREE_RCU=y
```

### 4. Test autobalancing to a balanced tree:

```
CONFIG_NR_CPUS=8
CONFIG_RCU_FANOUT=6
CONFIG_RCU_FANOUT_EXACT=n
CONFIG_RCU_TRACE=y
CONFIG_PREEMPT_RCU=n
CONFIG_CLASSIC_RCU=n
CONFIG_TREE_RCU=y
```

### 5. Test unbalanced tree:

```
CONFIG_NR_CPUS=8
CONFIG_RCU_FANOUT=6
CONFIG_RCU_FANOUT_EXACT=y
CONFIG_RCU_CPU_STALL_DETECTOR=y
CONFIG_RCU_TRACE=y
CONFIG_PREEMPT_RCU=n
CONFIG_CLASSIC_RCU=n
CONFIG_TREE_RCU=y
```

### 6. Disable CPU-stall detection:

```
CONFIG_SMP=y
CONFIG_NO_HZ=y
CONFIG_RCU_CPU_STALL_DETECTOR=n
CONFIG_HOTPLUG_CPU=y
CONFIG_RCU_TRACE=y
CONFIG_PREEMPT_RCU=n
CONFIG_CLASSIC_RCU=n
CONFIG_TREE_RCU=y
```

### 7. Disable CPU-stall detection and dyntick idle mode:

```
CONFIG_SMP=y
CONFIG_NO_HZ=n
CONFIG_RCU_CPU_STALL_DETECTOR=n
CONFIG_HOTPLUG_CPU=y
CONFIG_RCU_TRACE=y
CONFIG_PREEMPT_RCU=n
CONFIG_CLASSIC_RCU=n
CONFIG_TREE_RCU=y
```

### 8. Disable CPU-stall detection and CPU hotplug:

```
CONFIG_SMP=y
CONFIG_NO_HZ=y
CONFIG_RCU_CPU_STALL_DETECTOR=n
CONFIG_HOTPLUG_CPU=n
CONFIG_RCU_TRACE=y
CONFIG_PREEMPT_RCU=n
CONFIG_CLASSIC_RCU=n
CONFIG_TREE_RCU=y
```

9. Disable CPU-stall detection, dyntick idle mode, and CPU hotplug:

```
CONFIG_SMP=y
CONFIG_NO_HZ=n
CONFIG_RCU_CPU_STALL_DETECTOR=n
CONFIG_HOTPLUG_CPU=n
CONFIG_RCU_TRACE=y
CONFIG_PREEMPT_RCU=n
CONFIG_CLASSIC_RCU=n
CONFIG_TREE_RCU=y
```

10. Disable SMP, CPU-stall detection, dyntick idle mode, and CPU hotplug:

```
CONFIG_SMP=n
CONFIG_NO_HZ=n
CONFIG_RCU_CPU_STALL_DETECTOR=n
CONFIG_HOTPLUG_CPU=n
CONFIG_RCU_TRACE=y
CONFIG_PREEMPT_RCU=n
CONFIG_CLASSIC_RCU=n
CONFIG_TREE_RCU=y
```

This combination located a number of compiler warnings.

11. Disable SMP and CPU hotplug:

```
CONFIG_SMP=n
CONFIG_NO_HZ=y
CONFIG_RCU_CPU_STALL_DETECTOR=y
CONFIG_HOTPLUG_CPU=n
CONFIG_RCU_TRACE=y
CONFIG_PREEMPT_RCU=n
CONFIG_CLASSIC_RCU=n
CONFIG_TREE_RCU=y
```

12. Test Classic RCU with dynticks idle but without preemption:

```
CONFIG_NO_HZ=y
CONFIG_PREEMPT=n
CONFIG_RCU_TRACE=y
CONFIG_PREEMPT_RCU=n
CONFIG_CLASSIC_RCU=y
CONFIG_TREE_RCU=n
```

13. Test Classic RCU with preemption but without dynticks idle:

```
CONFIG_NO_HZ=n
CONFIG_PREEMPT=y
CONFIG_RCU_TRACE=y
CONFIG_PREEMPT_RCU=n
CONFIG_CLASSIC_RCU=y
CONFIG_TREE_RCU=n
```

#### 14. Test Preemptible RCU with dynticks idle:

```
CONFIG_NO_HZ=y
CONFIG_PREEMPT=y
CONFIG_RCU_TRACE=y
CONFIG_PREEMPT_RCU=y
CONFIG_CLASSIC_RCU=n
CONFIG_TREE_RCU=n
```

#### 15. Test Preemptible RCU without dynticks idle:

```
CONFIG_NO_HZ=n
CONFIG_PREEMPT=y
CONFIG_RCU_TRACE=y
CONFIG_PREEMPT_RCU=y
CONFIG_CLASSIC_RCU=n
CONFIG_TREE_RCU=n
```

For a large change that affects RCU core code, one should run `rcutorture` for each of the above combinations, and concurrently with CPU offlining and onlining for cases with `CONFIG_HOTPLUG_CPU`. For small changes, it may suffice to run `kernbench` in each case. Of course, if the change is confined to a particular subset of the configuration parameters, it may be possible to reduce the number of test cases.

Torturing software: the Geneva Convention does not (yet) prohibit it, and I strongly recommend it!

### D.2.9 Conclusion

This hierarchical implementation of RCU reduces lock contention, avoids unnecessarily awakening dyntick-idle sleeping CPUs, while helping to debug Linux's hotplug-CPU code paths. This implementation is designed to handle single systems with thousands of CPUs, and on 64-bit systems has an architectural limitation of a quarter million CPUs, a limit I expect to be sufficient for at least the next few years.

This RCU implementation of course has some limitations:

1. The `force_quiescent_state()` can scan the full set of CPUs with irqs disabled. This would be fatal in a real-time implementation of RCU, so if hierarchy ever needs to be introduced to preemptible RCU, some other approach will be required. It is possible that it will be problematic on 4,096-CPU systems, but actual testing on such systems is required to prove this one way or the other.

On busy systems, the `force_quiescent_state()` scan would not be expected to happen, as CPUs should pass through quiescent states within three jiffies of the start of a quiescent state. On semi-busy systems, only the CPUs in dynticks-idle mode throughout would need to be scanned. In some cases, for example when a dynticks-idle CPU is handling an interrupt during a scan, subsequent scans are required. However, each such scan is performed separately, so scheduling latency is degraded by the overhead of only one such scan.

If this scan proves problematic, one straightforward solution would be to do the scan incrementally. This would increase code complexity slightly and would also increase the time required to end a grace period, but would nonetheless be a likely solution.

2. The `rcu_node` hierarchy is created at compile time, and is therefore sized for the worst-case `NR_CPUS` number of CPUs. However, even for 4,096 CPUs, the `rcu_node` hierarchy consumes only 65 cache lines on a 64-bit machine (and just you try accommodating 4,096 CPUs on a 32-bit machine!). Of course, a kernel built with `NR_CPUS=4096` running on a 16-CPU machine would use a two-level tree when a single-node tree would work just fine. Although this configuration would incur added locking overhead, this does not affect hot-path read-side code, so should not be a problem in practice.
3. This patch does increase kernel text and data somewhat: the old Classic RCU implementation consumes 1,757 bytes of kernel text and 456 bytes of kernel data for a total of 2,213 bytes, while the new hierarchical RCU implementation consumes 4,006 bytes of kernel text and 624 bytes of kernel data for a total of 4,630 bytes on a `NR_CPUS=4` system. This is a non-problem even for most embedded systems, which often come with hundreds of megabytes of main memory. However, if this is a problem for tiny embedded systems, it may be necessary to provide both “scale up” and “scale down” implementations of RCU.

This hierarchical RCU implementation should nevertheless be a vast improvement over Classic RCU for machines with hundreds of CPUs. After all, Classic RCU was designed for systems with only 16-32 CPUs.

At some point, it may be necessary to also apply hierarchy to the preemptible RCU implementation. This will be challenging due to the modular arithmetic used on the per-CPU counter pairs, but should be doable.

## D.3 Hierarchical RCU Code Walkthrough

This section walks through selected sections of the Linux-kernel hierarchical RCU code. As such, this section is intended for hard-core hackers who wish to understand hierarchical RCU at a very low level, and such hackers should first read Section D.2. Hard-core masochists might also be interested in reading this section. Of course *really* hard-core masochists will read this section before reading Section D.2.

Section D.3.1 describes data structures and kernel parameters, Section D.3.2 covers external function interfaces, Section D.3.3 presents the initialization process, Section D.3.4 explains the CPU-hotplug interface, Section D.3.5 covers miscellaneous utility functions, Section D.3.6 describes the mechanics of grace-period detection, Section D.3.7 presents the dynticks-idle interface, Section D.3.8 covers the functions that handle holdout CPUs (including offline and dynticks-idle CPUs), and Section D.3.9 presents functions that report on stalled CPUs, namely those spinning in kernel mode for many seconds. Finally, Section D.3.10 reports on possible design flaws and fixes.

### D.3.1 Data Structures and Kernel Parameters

A full understanding of the Hierarchical RCU data structures is critically important to understanding the algorithms. To this end, Section D.3.1.1 describes the data structures used to track each CPU’s dyntick-idle state, Section D.3.1.2 describes the fields in the per-node data structure making up the `rcu_node` hierarchy, Section D.3.1.3 describes per-CPU `rcu_data` structure, Section D.3.1.4 describes the field in the global `rcu_state` structure, and Section D.3.1.5 describes the kernel parameters that control Hierarchical RCU’s operation.

Figure D.17 on Page 495 and Figure D.26 on Page 523 can be very helpful in keeping one's place through the following detailed data-structure descriptions.

### D.3.1.1 Tracking Dyntick State

The per-CPU `rcu_dynticks` structure tracks dynticks state using the following fields:

- `dynticks_nesting`: This `int` counts the number of reasons that the corresponding CPU should be monitored for RCU read-side critical sections. If the CPU is in dynticks-idle mode, then this counts the irq nesting level, otherwise it is one greater than the irq nesting level.
- `dynticks`: This `int` counter's value is even if the corresponding CPU is in dynticks-idle mode and there are no irq handlers currently running on that CPU, otherwise the counter's value is odd. In other words, if this counter's value is odd, then the corresponding CPU might be in an RCU read-side critical section.
- `dynticks_nmi`: This `int` counter's value is odd if the corresponding CPU is in an NMI handler, but only if the NMI arrived while this CPU was in dyntick-idle mode with no irq handlers running. Otherwise, the counter's value will be even.

This state is shared between the `rcu` and `rcu_bh` implementations.

### D.3.1.2 Nodes in the Hierarchy

As noted earlier, the `rcu_node` hierarchy is flattened into the `rcu_state` structure as shown in Figure D.13 on page 492. Each `rcu_node` in this hierarchy has fields as follows:

- `lock`: This spinlock guards the non-constant fields in this structure. This lock is acquired from `softirq` context, so must disable irqs.

**Quick Quiz D.19:** Why not simply disable bottom halves (`softirq`) when acquiring the `rcu_data` structure's `lock`? Wouldn't this be faster? ■

The `lock` field of the root `rcu_node` has additional responsibilities:

1. Serializes CPU-stall checking, so that a given stall is reported by only one CPU. This can be important on systems with thousands of CPUs!
  2. Serializes starting a new grace period, so that multiple CPUs don't start conflicting grace periods concurrently.
  3. Prevents new grace periods from starting in code that needs to run within the confines of a single grace period.
  4. Serializes the state machine forcing quiescent states (in `force_quiescent_state()`) in order to keep the number of reschedule IPIs down to a dull roar.
- `qsmask`: This bitmask tracks which CPUs (for leaf `rcu_node` structures) or groups of CPUs (for non-leaf `rcu_node` structures) still need to pass through a quiescent state in order for the current grace period to end.



- `qsmaskinit`: This bitmask tracks which CPUs or groups of CPUs will need to pass through a quiescent state for subsequent grace periods to end. The online/offline code manipulates the `qsmaskinit` fields, which are copied to the corresponding `qsmask` fields at the beginning of each grace period. This copy operation is one reason why grace period initialization must exclude online/offline operations.
- `grpmask`: This bitmask has a single bit set, and that is the bit corresponding to the this `rcu_node` structure's position in the parent `rcu_node` structure's `qsmask` and `qsmaskinit` fields. Use of this field simplifies quiescent-state processing, as suggested by Manfred Spraul.

**Quick Quiz D.20:** How about the `qsmask` and `qsmaskinit` fields for the leaf `rcu_node` structures? Doesn't there have to be some way to work out which of the bits in these fields corresponds to each CPU covered by the `rcu_node` structure in question? ■

- `grplo`: This field contains the number of the lowest-numbered CPU covered by this `rcu_node` structure.
- `grp hi`: This field contains the number of the highest-numbered CPU covered by this `rcu_node` structure.
- `grpnum`: This field contains the bit number in the parent `rcu_node` structure's `qsmask` and `qsmaskinit` fields that this `rcu_node` structure corresponds to. In other words, given a pointer `rnp` to a given `rcu_node` structure, it will always be the case that `1UL << rnp->grpnum == rnp->grpmask`. The `grpnum` field is used only for tracing output.
- `level`: This field contains zero for the root `rcu_node` structure, one for the `rcu_node` structures that are children of the root, and so on down the hierarchy.
- `parent`: This field is a pointer to the parent `rcu_node` structure, or NULL for the root `rcu_node` structure.

### D.3.1.3 Per-CPU Data

The `rcu_data` structure contains RCU's per-CPU state. It contains control variables governing grace periods and quiescent states (`completed`, `gpnum`, `passed_quiesc_completed`, `passed_quiesc`, `qs_pending`, `beenonline`, `mynode`, and `grpmask`). The `rcu_data` structure also contains control variables pertaining to RCU callbacks (`nextlist`, `nexttail`, `qlen`, and `blimit`). Kernels with `dynticks` enabled will have relevant control variables in the `rcu_data` structure (`dynticks`, `dynticks_snap`, and `dynticks_nmi_snap`). The `rcu_data` structure contains event counters used by tracing (`dynticks_fqs` given `dynticks`, `offline_fqs`, and `resched_ipi`). Finally, a pair of fields count calls to `rcu_pending()` in order to determine when to force quiescent states (`n_rcu_pending` and `n_rcu_pending_force_qs`), and a `cpu` field indicates which CPU to which a given `rcu_data` structure corresponds.

Each of these fields is described below.

- `completed`: This field contains the number of the most recent grace period that this CPU is aware of having completed.

- `gpnum`: This field contains the number of the most recent grace period that this CPU is aware of having started.
- `passed_quiesc_completed`: This field contains the number of the grace period that had most recently completed when this CPU last passed through a quiescent state. The “most recently completed” will be from the viewpoint of the CPU passing through the quiescent state: if the CPU is not yet aware that grace period (say) 42 has completed, it will still record the old value of 41. This is OK, because the only way that the grace period can complete is if this CPU has already passed through a quiescent state. This field is initialized to a (possibly mythical) past grace period number to avoid race conditions when booting and when onlining a CPU.
- `passed_quiesc`: This field indicates whether this CPU has passed through a quiescent state since the grace period number stored in `passed_quiesc_completed` completed. This field is cleared each time the corresponding CPU becomes aware of the start of a new grace period.
- `qs_pending`: This field indicates that this CPU is aware that the core RCU mechanism is waiting for it to pass through a quiescent state. This field is set to one when the CPU detects a new grace period or when a CPU is coming online.

**Quick Quiz D.21:** But why bother setting `qs_pending` to one when a CPU is coming online, given that being offline is an extended quiescent state that should cover any ongoing grace period? ■

**Quick Quiz D.22:** Why record the last completed grace period number in `passed_quiesc_completed`? Doesn't that cause this RCU implementation to be vulnerable to quiescent states seen while no grace period was in progress being incorrectly applied to the next grace period that starts? ■

- `beenonline`: This field, initially zero, is set to one whenever the corresponding CPU comes online. This is used to avoid producing useless tracing output for CPUs that never have been online, which is useful in kernels where `NR_CPUS` greatly exceeds the actual number of CPUs.

**Quick Quiz D.23:** What is the point of running a system with `NR_CPUS` way bigger than the actual number of CPUs? ■

- `mynode`: This field is a pointer to the leaf `rcu_node` structure that handles the corresponding CPU.
- `grpmask`: This field is a bitmask that has the single bit set that indicates which bit in `mynode->qsmask` signifies the corresponding CPU.
- `nxtlist`: This field is a pointer to the oldest RCU callback (`rcu_head` structure) residing on this CPU, or `NULL` if this CPU currently has no such callbacks. Additional callbacks may be chained via their `next` pointers.
- `nxttail`: This field is an array of double-indirect tail pointers into the `nxtlist` callback list. If `nxtlist` is empty, then all of the `nxttail` pointers directly reference the `nxtlist` field. Each element of the `nxttail` array has meaning as follows:

- RCU\_DONE\_TAIL=0: This element references the `->next` field of the last callback that has passed through its grace period and is ready to invoke, or references the `nxtlist` field if there is no such callback.
- RCU\_WAIT\_TAIL=1: This element references the `next` field of the last callback that is waiting for the current grace period to end, or is equal to the RCU\_DONE\_TAIL element if there is no such callback.
- RCU\_NEXT\_READY\_TAIL=2: This element references the `next` field of the last callback that is ready to wait for the next grace period, or is equal to the RCU\_WAIT\_TAIL element if there is no such callback.
- RCU\_NEXT\_TAIL=3: This element references the `next` field of the last callback in the list, or references the `nxtlist` field if the list is empty.

**Quick Quiz D.24:** Why not simply have multiple lists rather than this funny multi-tailed list? ■

- `qlen`: This field contains the number of callbacks queued on `nxtlist`.
- `blimit`: This field contains the maximum number of callbacks that may be invoked at a time. This limitation improves system responsiveness under heavy load.
- `dynticks`: This field references the `rcu_dynticks` structure for the corresponding CPU, which is described in Section D.3.1.1.
- `dynticks_snap`: This field contains a past value of `dynticks->dynticks`, which is used to detect when a CPU passes through a `dynticks` idle state when this CPU happens to be in an irq handler each time that `force_quiescent_state()` checks it.
- `dynticks_nmi_snap`: This field contains a past value of `dynticks->dynticks_nmi`, which is used to detect when a CPU passes through a `dynticks` idle state when this CPU happens to be in an NMI handler each time that `force_quiescent_state()` checks it.
- `dynticks_fqs`: This field counts the number of times that some other CPU noted a quiescent state on behalf of the CPU corresponding to this `rcu_data` structure due to its being in `dynticks`-idle mode.
- `offline_fqs`: This field counts the number of times that some other CPU noted a quiescent state on behalf of the CPU corresponding to this `rcu_data` structure due to its being offline.

**Quick Quiz D.25:** So some poor CPU has to note quiescent states on behalf of each and every offline CPU? Yecch! Won't that result in excessive overheads in the not-uncommon case of a system with a small number of CPUs but a large value for `NR_CPUS`? ■

- `resched_ipi`: This field counts the number of times that a reschedule IPI is sent to the corresponding CPU. Such IPIs are sent to CPUs that fail to report passing through a quiescent states in a timely manner, but are neither offline nor in `dynticks` idle state.

- `n_rcu_pending`: This field counts the number of calls to `rcu_pending()`, which is called once per jiffy on non-dynticks-idle CPUs.
- `n_rcu_pending_force_qs`: This field holds a threshold value for `n_rcu_pending`. If `n_rcu_pending` reaches this threshold, that indicates that the current grace period has extended too long, so `force_quiescent_state()` is invoked to expedite it.

#### D.3.1.4 RCU Global State

The `rcu_state` structure contains RCU's global state for each instance of RCU (`rcu` and `rcu_bh`). It includes fields relating to the hierarchy of `rcu_node` structures, including the `node` array itself, the `level` array that contains pointers to the levels of the hierarchy, the `levelcnt` array that contains the count of nodes at each level of the hierarchy, the `levelspread` array that contains the number of children per node for each level of the hierarchy, and the `rda` array of pointer to each of the CPU's `rcu_data` structures. The `rcu_state` structure also contains a number of fields coordinating various details of the current grace period and its interaction with other mechanisms (`signaled`, `gpnum`, `completed`, `onofflock`, `fqslock`, `jiffies_force_qs`, `n_force_qs`, `n_force_qs_lh`, `n_force_qs_ngp`, `gp_start`, `jiffies_stall`, and `dynticks_completed`).

Each of these fields are described below.

- `node`: This field is the array of `rcu_node` structures, with the root node of the hierarchy being located at `->node[0]`. The size of this array is specified by the `NUM_RCU_NODES` C-preprocessor macro, which is computed from `NR_CPUS` and `CONFIG_RCU_FANOUT` as described in Section D.3.1.5. Note that traversing the `->node` array starting at element zero has the effect of doing a breadth-first search of the `rcu_node` hierarchy.
- `level`: This field is an array of pointers into the `node` array. The root node of the hierarchy is referenced by `->level[0]`, the first node of the second level of the hierarchy (if there is one) by `->level[1]`, and so on. The first leaf node is referenced by `->level[NUM_RCU_LVL_1]`, and the size of the `level` array is thus specified by `NUM_RCU_LVL_1`, which is computed as described in Section D.3.1.5. The `->level` field is often used in combination with `->node` to scan a level of the `rcu_node` hierarchy, for example, all of the leaf nodes. The elements of `->level` are filled in by the boot-time `rcu_init_one()` function.
- `levelcnt`: This field is an array containing the number of `rcu_node` structures in each level of the hierarchy, including the number of `rcu_data` structures referencing the leaf `rcu_node` structures, so that this array has one more element than does the `->level` array. Note that `->levelcnt[0]` will always contain a value of one, corresponding to the single root `rcu_node` at the top of the hierarchy. This array is initialized with the values `NUM_RCU_LVL_0`, `NUM_RCU_LVL_1`, `NUM_RCU_LVL_2`, and `NUM_RCU_LVL_3`, which are C-preprocessor macros computed as described in Section D.3.1.5. The `->levelcnt` field is used to initialize other parts of the hierarchy and for debugging purposes.

- `levelspread`: Each element of this field contains the desired number of children for the corresponding level of the `rcu_node` hierarchy. This array's element's values are computed at runtime by one of the two `rcu_init_levelspread()` functions, selected by the `CONFIG_RCU_FANOUT_EXACT` kernel parameter.
- `rda`: Each element of this field contains a pointer to the corresponding CPU's `rcu_data` structure. This array is initialized at boot time by the `RCU_DATA_PTR_INIT()` macro.
- `signaled`: This field is used to maintain state used by the `force_quiescent_state()` function, as described in Section D.3.8. This field takes on values as follows:
  - `RCU_GP_INIT`: This value indicates that the current grace period is still in the process of being initialized, so that `force_quiescent_state()` should take no action. Of course, grace-period initialization would need to stretch out for three jiffies before this race could arise, but if you have a very large number of CPUs, this race could in fact occur. Once grace-period initialization is complete, this value is set to either `RCU_SAVE_DYNTICK` (if `CONFIG_NO_HZ`) or `RCU_FORCE_QS` otherwise.
  - `RCU_SAVE_DYNTICK`: This value indicates that `force_quiescent_state()` should check the dynticks state of any CPUs that have not yet reported quiescent states for the current grace period. Quiescent states will be reported on behalf of any CPUs that are in dyntick-idle mode.
  - `RCU_FORCE_QS`: This value indicates that `force_quiescent_state()` should recheck dynticks state along with the online/offline state of any CPUs that have not yet reported quiescent states for the current grace period. The rechecking of dynticks states allows the implementation to handle cases where a given CPU might be in dynticks-idle state, but have been in an irq or NMI handler both times it was checked. If all else fails, a reschedule IPI will be sent to the laggard CPU.

This field is guarded by the root `rcu_node` structure's lock.

**Quick Quiz D.26:** So what guards the earlier fields in this structure? ■

- `gpnum`: This field contains the number of the current grace period, or that of the last grace period if no grace period is currently in effect. This field is guarded by the root `rcu_node` structure's lock, but is frequently accessed (but never modified) without holding this lock.
- `completed`: This field contains the number of the last completed grace period. As such, it is equal to `->gpnum` when there is no grace period in progress, or one less than `->gpnum` when there is a grace period in progress. In principle, one could replace this pair of fields with a single boolean, as is done in Classic RCU in some versions of Linux, but in practice race resolution is much simpler given the pair of numbers. This field is guarded by the root `rcu_node` structure's lock, but is frequently accessed (but never modified) without holding this lock.
- `onofflock`: This field prevents online/offline processing from running concurrently with grace-period initialization. There is one exception to this: if the

`rcu_node` hierarchy consists of but a single structure, then that single structure's `->lock` field will instead take on this job.

- `fqslock`: This field prevents more than one task from forcing quiescent states with `force_quiescent_state()`.
- `jiffies_force_qs`: This field contains the time, in jiffies, when `force_quiescent_state()` should be invoked in order to force CPUs into quiescent states and/or report extended quiescent states. This field is guarded by the root `rcu_node` structure's lock, but is frequently accessed (but never modified) without holding this lock.
- `n_force_qs`: This field counts the number of calls to `force_quiescent_state()` that actually do work, as opposed to leaving early due to the grace period having already completed, some other CPU currently running `force_quiescent_state()`, or `force_quiescent_state()` having run too recently. This field is used for tracing and debugging, and is guarded by `->fqslock`.
- `n_force_qs_lh`: This field holds an approximate count of the number of times that `force_quiescent_state()` returned early due to the `->fqslock` being held by some other CPU. This field is used for tracing and debugging, and is not guarded by any lock, hence its approximate nature.
- `n_force_qs_ngp`: This field counts the number of times that `force_quiescent_state()` that successfully acquire `->fqslock`, but then find that there is no grace period in progress. This field is used for tracing and debugging, and is guarded by `->fqslock`.
- `gp_start`: This field records the time at which the most recent grace period began, in jiffies. This is used to detect stalled CPUs, but only when the `CONFIG_RCU_CPU_STALL_DETECTOR` kernel parameter is selected. This field is guarded by the root `rcu_node`'s `->lock`, but is sometimes accessed (but not modified) outside of this lock.
- `jiffies_stall`: This field holds the time, in jiffies, at which the current grace period will have extended for so long that it will be appropriate to check for CPU stalls. As with `->gp_start`, this field exists only when the `CONFIG_RCU_CPU_STALL_DETECTOR` kernel parameter is selected. This field is guarded by the root `rcu_node`'s `->lock`, but is sometimes accessed (but not modified) outside of this lock.
- `dynticks_completed`: This field records the value of `->completed` at the time when `force_quiescent_state()` snapshots dyntick state, but is also initialized to an earlier grace period at the beginning of each grace period. This field is used to prevent dyntick-idle quiescent states from a prior grace period from being applied to the current grace period. As such, this field exists only when the `CONFIG_NO_HZ` kernel parameter is selected. This field is guarded by the root `rcu_node`'s `->lock`, but is sometimes accessed (but not modified) outside of this lock.

```

1 #define MAX_RCU_LVL_S    3
2 #define RCU_FANOUT      (CONFIG_RCU_FANOUT)
3 #define RCU_FANOUT_SQ   (RCU_FANOUT * RCU_FANOUT)
4 #define RCU_FANOUT_CUBE (RCU_FANOUT_SQ * RCU_FANOUT)
5
6 #if NR_CPUS <= RCU_FANOUT
7 #   define NUM_RCU_LVL_S 1
8 #   define NUM_RCU_LVL_0 1
9 #   define NUM_RCU_LVL_1 (NR_CPUS)
10 #   define NUM_RCU_LVL_2 0
11 #   define NUM_RCU_LVL_3 0
12 #elif NR_CPUS <= RCU_FANOUT_SQ
13 #   define NUM_RCU_LVL_S 2
14 #   define NUM_RCU_LVL_0 1
15 #   define NUM_RCU_LVL_1 ((NR_CPUS) + RCU_FANOUT - 1) / RCU_FANOUT
16 #   define NUM_RCU_LVL_2 (NR_CPUS)
17 #   define NUM_RCU_LVL_3 0
18 #elif NR_CPUS <= RCU_FANOUT_CUBE
19 #   define NUM_RCU_LVL_S 3
20 #   define NUM_RCU_LVL_0 1
21 #   define NUM_RCU_LVL_1 ((NR_CPUS) + RCU_FANOUT_SQ - 1) / RCU_FANOUT_SQ
22 #   define NUM_RCU_LVL_2 ((NR_CPUS) + (RCU_FANOUT) - 1) / (RCU_FANOUT)
23 #   define NUM_RCU_LVL_3 NR_CPUS
24 #else
25 #   error "CONFIG_RCU_FANOUT insufficient for NR_CPUS"
26 #endif /* #if (NR_CPUS) <= RCU_FANOUT */
27
28 #define RCU_SUM (NUM_RCU_LVL_0 + NUM_RCU_LVL_1 + NUM_RCU_LVL_2 + NUM_RCU_LVL_3)
29 #define NUM_RCU_NODES (RCU_SUM - NR_CPUS)

```

Figure D.20: Determining Shape of RCU Hierarchy

### D.3.1.5 Kernel Parameters

The following kernel parameters affect this variant of RCU:

- `NR_CPUS`, the maximum number of CPUs in the system.
- `CONFIG_RCU_FANOUT`, the desired number of children for each node in the `rcu_node` hierarchy.
- `CONFIG_RCU_FANOUT_EXACT`, a boolean preventing rebalancing of the `rcu_node` hierarchy.
- `CONFIG_HOTPLUG_CPU`, permitting CPUs to come online and go offline.
- `CONFIG_NO_HZ`, indicating that dynticks-idle mode is supported.
- `CONFIG_SMP`, indicating that multiple CPUs may be present.
- `CONFIG_RCU_CPU_STALL_DETECTOR`, indicating that RCU should check for stalled CPUs when RCU grace periods extend too long.
- `CONFIG_RCU_TRACE`, indicating that RCU should provide tracing information in debugfs.

The `CONFIG_RCU_FANOUT` and `NR_CPUS` parameters are used to determine the shape of the `rcu_node` hierarchy at compile time, as shown in Figure D.20. Line 1 defines the maximum depth of the `rcu_node` hierarchy, currently three. Note that increasing the maximum permitted depth requires changes elsewhere, for example, adding another leg to the `#if` statement running from lines 6-26. Lines 2-4 compute the fanout, the square of the fanout, and the cube of the fanout, respectively.

Then these values are compared to `NR_CPUS` to determine the required depth of the `rcu_node` hierarchy, which is placed into `NUM_RCU_LVLVS`, which is used to size a number of arrays in the `rcu_state` structure. There is always one node at the root level, and there are always `NUM_CPUS` number of `rcu_data` structures below the leaf level. If there is more than just the root level, the number of nodes at the leaf level is computed by dividing `NR_CPUS` by `RCU_FANOUT`, rounding up. The number of nodes at other levels is computed in a similar manner, but using (for example) `RCU_FANOUT_SQ` instead of `RCU_FANOUT`.

Line 28 then sums up all of the levels, resulting in the number of `rcu_node` structures plus the number of `rcu_data` structures. Finally, line 29 subtracts `NR_CPUS` (which is the number of `rcu_data` structures) from the sum, resulting in the number of `rcu_node` structures, which is retained in `NUM_RCU_NODES`. This value is then used to size the `->nodes` array in the `rcu_state` structure.

### D.3.2 External Interfaces

RCU's external interfaces include not just the standard RCU API, but also the internal interfaces to the rest of the kernel that are required for the RCU implementation itself. The interfaces are `rcu_read_lock()`, `rcu_read_unlock()`, `rcu_read_lock_bh()`, `rcu_read_unlock_bh()`, `call_rcu()` (which is a wrapper around `__call_rcu()`), `call_rcu_bh()` (ditto), `rcu_check_callbacks()`, `rcu_process_callbacks()` (which is a wrapper around `__rcu_process_callbacks()`), `rcu_pending()` (which is a wrapper around `__rcu_pending()`), `rcu_needs_cpu()`, `rcu_cpu_notify()`, and `__rcu_init()`. Note that `synchronize_rcu()` and `rcu_barrier()` are common to all RCU implementations, and are defined in terms of `call_rcu()`. Similarly, `rcu_barrier_bh()` is common to all RCU implementations and is defined in terms of `call_rcu_bh()`.

These external APIs are each described in the following sections.

#### D.3.2.1 Read-Side Critical Sections

Figure D.21 shows the functions that demark RCU read-side critical sections. Lines 1-6 show `__rcu_read_lock()`, which begins an "rcu" read-side critical section. line 3 disables preemption, line 4 is a sparse marker noting the beginning of an RCU read-side critical section, and line 5 updates lockdep state. Lines 8-13 show `__rcu_read_unlock()`, which is the inverse of `__rcu_read_lock()`. Lines 15-20 show `__rcu_read_lock_bh()` and lines 22-27 show `__rcu_read_unlock_bh()`, which are analogous to the previous two functions, but disable and enable bottom-half processing rather than preemption.

**Quick Quiz D.27:** I thought that RCU read-side processing was supposed to be *fast*! The functions shown in Figure D.21 have so much junk in them that they just *have* to be slow! What gives here? ■

#### D.3.2.2 `call_rcu()`

Figure D.22 shows the code for `__call_rcu()`, `call_rcu()`, and `call_rcu_bh()`. Note that `call_rcu()` and `call_rcu_bh()` are simple wrappers for `__call_rcu()`, and thus will not be considered further here.

Turning attention to `__call_rcu()`, lines 9-10 initialize the specified `rcu_head`, and line 11 ensures that updates to RCU-protected data structures carried out



```

1 void __rcu_read_lock(void)
2 {
3     preempt_disable();
4     __acquire(RCU);
5     rcu_read_acquire();
6 }
7
8 void __rcu_read_unlock(void)
9 {
10    rcu_read_release();
11    __release(RCU);
12    preempt_enable();
13 }
14
15 void __rcu_read_lock_bh(void)
16 {
17     local_bh_disable();
18     __acquire(RCU_BH);
19     rcu_read_acquire();
20 }
21
22 void __rcu_read_unlock_bh(void)
23 {
24     rcu_read_release();
25     __release(RCU_BH);
26     local_bh_enable();
27 }

```

Figure D.21: RCU Read-Side Critical Sections

prior to invoking `__call_rcu()` are seen prior to callback registry. Lines 12 and 34 disable and re-enable interrupts to prevent destructive interference by any calls to `__call_rcu()` from an interrupt handler. Line 13 obtains a reference to the current CPU's `rcu_data` structure, line 14 invokes `rcu_process_gp_end()` in order to advance callbacks if the current grace period has now ended, while line 15 invokes `check_for_new_grace_period()` to record state if a new grace period has started.

**Quick Quiz D.28:** Why not simply use `__get_cpu_var()` to pick up a reference to the current CPU's `rcu_data` structure on line 13 in Figure D.22? ■

Lines 16 and 17 enqueue the new callback. Lines 18 and 19 check to see there is a grace period in progress, and, if not, line 23 acquires the root `rcu_node` structure's lock and line 24 invokes `rcu_start_gp()` to start a new grace period (and also to release the lock).

Line 26 checks to see if too many RCU callbacks are waiting on this CPU, and, if so, line 27 increases `->blimit` in order to increase the rate at which callbacks are processed, while line 28 invokes `force_quiescent_state()` urgently in order to try to convince holdout CPUs to pass through quiescent states. Otherwise, lines 29-32 check to see if it has been too long since the grace period started (or since the last call to `force_quiescent_state()`, as the case may be), and, if so, line 33 invokes `force_quiescent_state()` non-urgently, again to convince holdout CPUs to pass through quiescent states.

### D.3.2.3 `rcu_check_callbacks()`

Figure D.23 shows the code that is called from the scheduling-clock interrupt handler once per jiffy from each CPU. The `rcu_pending()` function (which is a wrapper for `__rcu_pending()`) is invoked, and if it returns non-zero, then `rcu_check_`

```

1 static void
2 __call_rcu(struct rcu_head *head,
3            void (*func)(struct rcu_head *rcu),
4            struct rcu_state *rsp)
5 {
6     unsigned long flags;
7     struct rcu_data *rdp;
8
9     head->func = func;
10    head->next = NULL;
11    smp_mb();
12    local_irq_save(flags);
13    rdp = rsp->rda[smp_processor_id()];
14    rcu_process_gp_end(rsp, rdp);
15    check_for_new_grace_period(rsp, rdp);
16    *rdp->nxttail[RCU_NEXT_TAIL] = head;
17    rdp->nxttail[RCU_NEXT_TAIL] = &head->next;
18    if (ACCESS_ONCE(rsp->completed) ==
19        ACCESS_ONCE(rsp->gpnum)) {
20        unsigned long nestflag;
21        struct rcu_node *rnp_root = rcu_get_root(rsp);
22
23        spin_lock_irqsave(&rnp_root->lock, nestflag);
24        rcu_start_gp(rsp, nestflag);
25    }
26    if (unlikely(++rdp->qlen > qhimark)) {
27        rdp->blimit = LONG_MAX;
28        force_quiescent_state(rsp, 0);
29    } else if ((long)(ACCESS_ONCE(rsp->jiffies_force_qs) -
30                    jiffies) < 0 ||
31               (rdp->n_rcu_pending_force_qs -
32                rdp->n_rcu_pending) < 0)
33        force_quiescent_state(rsp, 1);
34    local_irq_restore(flags);
35 }
36
37 void call_rcu(struct rcu_head *head,
38              void (*func)(struct rcu_head *rcu))
39 {
40    __call_rcu(head, func, &rcu_state);
41 }
42
43 void call_rcu_bh(struct rcu_head *head,
44                 void (*func)(struct rcu_head *rcu))
45 {
46    __call_rcu(head, func, &rcu_bh_state);
47 }

```

Figure D.22: call\_rcu() Code

```

1 static int __rcu_pending(struct rcu_state *rsp,
2                          struct rcu_data *rdp)
3 {
4     rdp->n_rcu_pending++;
5
6     check_cpu_stall(rsp, rdp);
7     if (rdp->qs_pending)
8         return 1;
9     if (cpu_has_callbacks_ready_to_invoke(rdp))
10        return 1;
11    if (cpu_needs_another_gp(rsp, rdp))
12        return 1;
13    if (ACCESS_ONCE(rsp->completed) != rdp->completed)
14        return 1;
15    if (ACCESS_ONCE(rsp->gpnum) != rdp->gpnum)
16        return 1;
17    if (ACCESS_ONCE(rsp->completed) !=
18        ACCESS_ONCE(rsp->gpnum) &&
19        ((long)(ACCESS_ONCE(rsp->jiffies_force_qs) -
20             jiffies) < 0 ||
21         (rdp->n_rcu_pending_force_qs -
22          rdp->n_rcu_pending) < 0))
23        return 1;
24    return 0;
25 }
26
27 int rcu_pending(int cpu)
28 {
29     return __rcu_pending(&rcu_state,
30                         &per_cpu(rcu_data, cpu)) ||
31           __rcu_pending(&rcu_bh_state,
32                         &per_cpu(rcu_bh_data, cpu));
33 }
34
35 void rcu_check_callbacks(int cpu, int user)
36 {
37     if (user ||
38         (idle_cpu(cpu) && !in_softirq()) &&
39         hardirq_count() <= (1 << HARDIRQ_SHIFT)) {
40         rcu_qsctr_inc(cpu);
41         rcu_bh_qsctr_inc(cpu);
42     } else if (!in_softirq()) {
43         rcu_bh_qsctr_inc(cpu);
44     }
45     raise_softirq(RCU_SOFTIRQ);
46 }

```

Figure D.23: rcu\_check\_callbacks () Code

`callbacks()` is invoked. (Note that there is some thought being given to merging `rcu_pending()` into `rcu_check_callbacks()`.)

Starting with `__rcu_pending()`, line 4 counts this call to `rcu_pending()` for use in deciding when to force quiescent states. Line 6 invokes `check_cpu_stall()` in order to report on CPUs that are spinning in the kernel, or perhaps that have hardware problems, if `CONFIG_RCU_CPU_STALL_DETECTOR` is selected. Lines 7-23 perform a series of checks, returning non-zero if RCU needs the current CPU to do something. Line 7 checks to see if the current CPU owes RCU a quiescent state for the current grace period, line 9 invokes `cpu_has_callbacks_ready_to_invoke()` to see if the current CPU has callbacks whose grace period has ended, thus being ready to invoke, line 11 invokes `cpu_needs_another_gp()` to see if the current CPU has callbacks that need another RCU grace period to elapse, line 13 checks to see if the current grace period has ended, line 15 checks to see if a new grace period has started, and, finally, lines 17-22 check to see if it is time to attempt to force holdout CPUs to pass through a quiescent state. This latter check breaks down as follows: (1) lines 17-18 check to see if there is a grace period in progress, and, if so, lines 19-22 check to see if sufficient jiffies (lines 19-20) or calls to `rcu_pending()` (lines 21-22) have elapsed that `force_quiescent_state()` should be invoked. If none of the checks in the series triggers, then line 24 returns zero, indicating that `rcu_check_callbacks()` need not be invoked.

Lines 27-33 show `rcu_pending()`, which simply invokes `__rcu_pending()` twice, once for “rcu” and again for “rcu\_bh”.

**Quick Quiz D.29:** Given that `rcu_pending()` is always called twice on lines 29-32 of Figure D.23, shouldn't there be some way to combine the checks of the two structures? ■

Lines 35-48 show `rcu_check_callbacks()`, which checks to see if the scheduling-clock interrupt interrupted an extended quiescent state, and then initiates RCU's softirq processing (`rcu_process_callbacks()`). Lines 37-41 perform this check for “rcu”, while lines 42-43 perform the check for “rcu\_bh”.

Lines 37-39 check to see if the scheduling clock interrupt came from user-mode execution (line 37) or directly from the idle loop (line 38's `idle_cpu()` invocation) with no intervening levels of interrupt (the remainder of line 38 and all of line 39). If this check succeeds, so that the scheduling clock interrupt did come from an extended quiescent state, then because any quiescent state for “rcu” is also a quiescent state for “rcu\_bh”, lines 40 and 41 report the quiescent state for both flavors of RCU.

Similarly for “rcu\_bh”, line 42 checks to see if the scheduling-clock interrupt came from a region of code with softirqs enabled, and, if so line 43 reports the quiescent state for “rcu\_bh” only.

**Quick Quiz D.30:** Shouldn't line 42 of Figure D.23 also check for `in_hardirq()`? ■

In either case, line 45 invokes an RCU softirq, which will result in `rcu_process_callbacks()` being called on this CPU at some future time (like when interrupts are re-enabled after exiting the scheduler-clock interrupt).

#### D.3.2.4 `rcu_process_callbacks()`

Figure D.24 shows the code for `rcu_process_callbacks()`, which is a wrapper around `__rcu_process_callbacks()`. These functions are invoked as a result of a call to `raise_softirq(RCU_SOFTIRQ)`, for example, line 47 of Figure D.23,

```

1 static void
2 __rcu_process_callbacks(struct rcu_state *rsp,
3                        struct rcu_data *rdp)
4 {
5     unsigned long flags;
6
7     if ((long)(ACCESS_ONCE(rsp->jiffies_force_qs) -
8                 jiffies) < 0 ||
9         (rdp->n_rcu_pending_force_qs -
10          rdp->n_rcu_pending) < 0)
11         force_quiescent_state(rsp, 1);
12     rcu_process_gp_end(rsp, rdp);
13     rcu_check_quiescent_state(rsp, rdp);
14     if (cpu_needs_another_gp(rsp, rdp)) {
15         spin_lock_irqsave(&rcu_get_root(rsp)->lock, flags);
16         rcu_start_gp(rsp, flags);
17     }
18     rcu_do_batch(rdp);
19 }
20
21 static void
22 rcu_process_callbacks(struct softirq_action *unused)
23 {
24     smp_mb();
25     __rcu_process_callbacks(&rcu_state,
26                            &__get_cpu_var(rcu_data));
27     __rcu_process_callbacks(&rcu_bh_state,
28                            &__get_cpu_var(rcu_bh_data));
29     smp_mb();
30 }

```

Figure D.24: `rcu_process_callbacks()` Code

which is normally done if there is reason to believe that the RCU core needs this CPU to do something.

Lines 7-10 check to see if it has been awhile since the current grace period started, and, if so, line 11 invokes `force_quiescent_state()` in order to try to convince holdout CPUs to pass through a quiescent state for this grace period.

**Quick Quiz D.31:** But don't we also need to check that a grace period is actually in progress in `__rcu_process_callbacks` in Figure D.24? ■

In any case, line 12 invokes `rcu_process_gp_end()`, which checks to see if some other CPU ended the last grace period that this CPU was aware of, and, if so, notes the end of the grace period and advances this CPU's RCU callbacks accordingly. Line 13 invokes `rcu_check_quiescent_state()`, which checks to see if some other CPU has started a new grace period, and also whether the current CPU has passed through a quiescent state for the current grace period, updating state appropriately if so. Line 14 checks to see if there is no grace period in progress and whether the current CPU has callbacks that need another grace period. If so, line 15 acquires the root `rcu_node` structure's lock, and line 17 invokes `rcu_start_gp()`, which starts a new grace period (and also releases the root `rcu_node` structure's lock). In either case, line 18 invokes `rcu_do_batch()`, which invokes any of this CPU's callbacks whose grace period has completed.

**Quick Quiz D.32:** What happens if two CPUs attempt to start a new grace period concurrently in Figure D.24? ■

Lines 21-30 are `rcu_process_callbacks()`, which is again a wrapper for `__rcu_process_callbacks()`. Line 24 executes a memory barrier to ensure that any prior RCU read-side critical sections are seen to have ended before any subsequent RCU processing. Lines 25-26 and 27-28 invoke `__rcu_process_callbacks()`

```

1 int rcu_needs_cpu(int cpu)
2 {
3     return per_cpu(rcu_data, cpu).nextlist ||
4         per_cpu(rcu_bh_data, cpu).nextlist;
5 }
6
7 static int __cpuinit
8 rcu_cpu_notify(struct notifier_block *self,
9               unsigned long action, void *hcpu)
10 {
11     long cpu = (long)hcpu;
12
13     switch (action) {
14     case CPU_UP_PREPARE:
15     case CPU_UP_PREPARE_FROZEN:
16         rcu_online_cpu(cpu);
17         break;
18     case CPU_DEAD:
19     case CPU_DEAD_FROZEN:
20     case CPU_UP_CANCELED:
21     case CPU_UP_CANCELED_FROZEN:
22         rcu_offline_cpu(cpu);
23         break;
24     default:
25         break;
26     }
27     return NOTIFY_OK;
28 }

```

Figure D.25: `rcu_needs_cpu()` and `rcu_cpu_notify` Code

for “rcu” and “rcu\_bh”, respectively, and, finally, line 29 executes a memory barrier to ensure that any RCU processing carried out by `__rcu_process_callbacks()` is seen prior to any subsequent RCU read-side critical sections.

### D.3.2.5 `rcu_needs_cpu()` and `rcu_cpu_notify()`

Figure D.25 shows the code for `rcu_needs_cpu()` and `rcu_cpu_notify()`, which are invoked by the Linux kernel to check on switching to dynticks-idle mode and to handle CPU hotplug, respectively.

Lines 1-5 show `rcu_needs_cpu()`, which simply checks if the specified CPU has either “rcu” (line 3) or “rcu\_bh” (line 4) callbacks.

Lines 7-28 show `rcu_cpu_notify()`, which is a very typical CPU-hotplug notifier function with the typical `switch` statement. Line 16 invokes `rcu_online_cpu()` if the specified CPU is going to be coming online, and line 22 invokes `rcu_offline_cpu()` if the specified CPU has gone to be going offline. It is important to note that CPU-hotplug operations are not atomic, but rather happen in stages that can extend for multiple grace periods. RCU must therefore gracefully handle CPUs that are in the process of coming or going.

## D.3.3 Initialization

This section walks through the initialization code, which links the main data structures together as shown in Figure D.26. The yellow region represents fields in the `rcu_state` data structure, including the `->node` array, individual elements of which are shown in pink, matching the convention used in Section D.2. The blue boxes each represent one `rcu_data` structure, and the group of blue boxes makes up a set of per-CPU `rcu_data` structures.

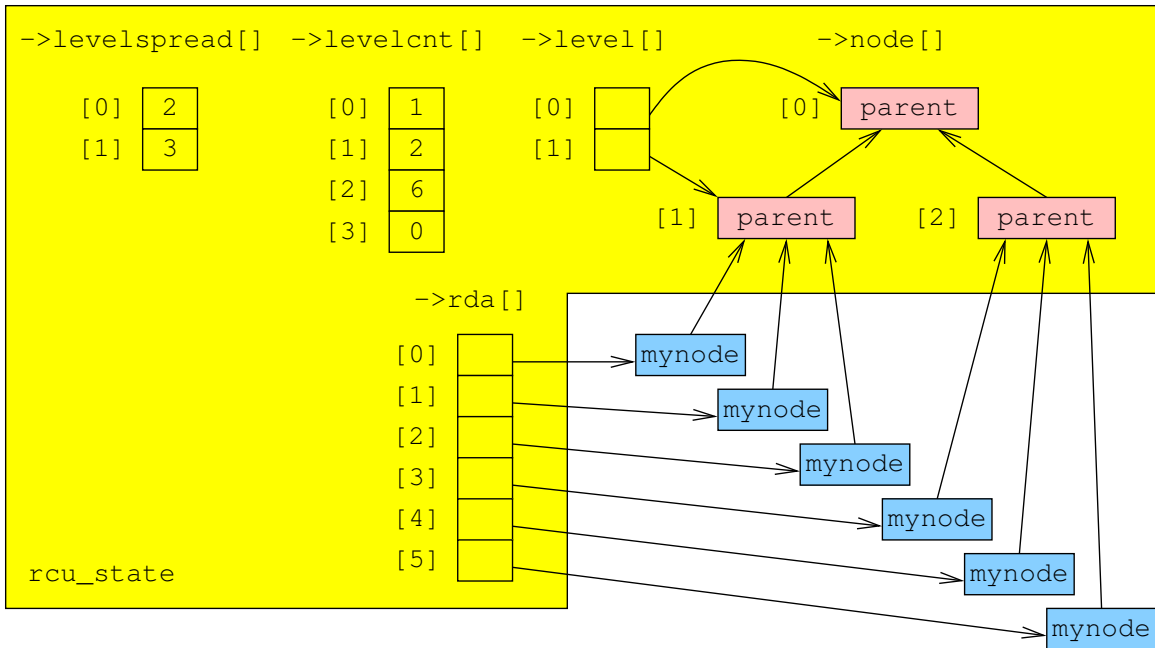


Figure D.26: Initialized RCU Data Layout

The `->levelcnt[]` array is initialized at compile time, as is `->level[0]`, but the rest of the values and pointers are filled in by the functions described in the following sections. The figure shows a two-level hierarchy, but one-level and three-level hierarchies are possible as well. Each element of the `->levelspread[]` array gives the number of children per node at the corresponding level of the hierarchy. In the figure, therefore, the root node has two children and the nodes at the leaf level each have three children. Each element of the `levelcnt[]` array indicates how many nodes there are on the corresponding level of the hierarchy: 1 at the root level, 2 at the leaf level, and 6 at the `rcu_data` level—and any extra elements are unused and left as zero. Each element of the `->level[]` array references the first node of the corresponding level of the `rcu_node` hierarchy, and each element of the `->rda[]` array references the corresponding CPU's `rcu_data` structure. The `->parent` field of each `rcu_node` structure references its parent, except for the root `rcu_node` structure, which has a NULL `->parent` pointer. Finally, the `->mynode` field of each `rcu_data` structure references its parent `rcu_node` structure.

**Quick Quiz D.33:** How does the code traverse a given path through the `rcu_node` hierarchy from root to leaves? ■

Again, the following sections walk through the code that builds this structure.

### D.3.3.1 `rcu_init_levelspread()`

Figure D.27 shows the code for the `rcu_init_levelspread()` function, which controls the fanout, or the number of children per parent, in the `rcu_node` hierarchy. There are two versions of this function, one shown on lines 2-9 that enforces the exact fanout (specified by `CONFIG_RCU_FANOUT`), and the other on lines 11-25 that

```

1 #ifdef CONFIG_RCU_FANOUT_EXACT
2 static void __init
3 rcu_init_levelspread(struct rcu_state *rsp)
4 {
5     int i;
6
7     for (i = NUM_RCU_LVLLS - 1; i >= 0; i--)
8         rsp->levelspread[i] = CONFIG_RCU_FANOUT;
9 }
10 #else
11 static void __init
12 rcu_init_levelspread(struct rcu_state *rsp)
13 {
14     int ccur;
15     int cprv;
16     int i;
17
18     cprv = NR_CPUS;
19     for (i = NUM_RCU_LVLLS - 1; i >= 0; i--) {
20         ccur = rsp->levelcnt[i];
21         rsp->levelspread[i] = (cprv + ccur - 1) / ccur;
22         cprv = ccur;
23     }
24 }
25 #endif

```

Figure D.27: `rcu_init_levelspread()` Code

determines the number of child nodes based indirectly on the specified fanout, but then balances the tree. The `CONFIG_RCU_FANOUT_EXACT` kernel parameter selects which version to use for a given kernel build.

The exact-fanout version simply assigns all of the elements of the specified `rcu_state` structure's `->levelspread` array to the `CONFIG_RCU_FANOUT` kernel parameter, as shown by the loop on lines 7 and 8.

The hierarchy-balancing version on lines 11-24 uses a pair of local variables `ccur` and `cprv` which track the number of `rcu_node` structures on the current and previous levels, respectively. This function works from the leaf level up the hierarchy, so `cprv` is initialized by line 18 to `NR_CPUS`, which corresponds to the number of `rcu_data` structures that feed into the leaf level. Lines 19-23 iterate from the leaf to the root. Within this loop, line 20 picking up the number of `rcu_node` structures for the current level into `ccur`. Line 21 then rounds up the ratio of the number of nodes on the previous (lower) level (be they `rcu_node` or `rcu_data`) to the number of `rcu_node` structures on the current level, placing the result in the specified `rcu_state` structure's `->levelspread` array. Line 22 then sets up for the next pass through the loop.

After a call to either function, the `->levelspread` array contains the number of children for each level of the `rcu_node` hierarchy.

### D.3.3.2 `rcu_init_one()`

Figure D.28 shows the code for `rcu_init_one()`, which does boot-time initialization for the specified `rcu_state` structure.

Recall from Section D.3.1.4 that the `->levelcnt[]` array in the `rcu_state` structure is compile-time initialized to the number of nodes at each level of the hierarchy starting from the root, with an additional element in the array initialized to the maximum possible number of CPUs, `NR_CPUS`. In addition, the first element of the `->level[]` array is compile-time initialized to reference to the root `rcu_node` structure, which



```

1 static void __init rcu_init_one(struct rcu_state *rsp)
2 {
3     int cpustride = 1;
4     int i;
5     int j;
6     struct rcu_node *rnp;
7
8     for (i = 1; i < NUM_RCU_LVLLS; i++)
9         rsp->level[i] = rsp->level[i - 1] +
10            rsp->levelcnt[i - 1];
11 rcu_init_levelspread(rsp);
12 for (i = NUM_RCU_LVLLS - 1; i >= 0; i--) {
13     cpustride *= rsp->levelspread[i];
14     rnp = rsp->level[i];
15     for (j = 0; j < rsp->levelcnt[i]; j++, rnp++) {
16         spin_lock_init(&rnp->lock);
17         rnp->qsmask = 0;
18         rnp->qsmaskinit = 0;
19         rnp->grplo = j * cpustride;
20         rnp->grphi = (j + 1) * cpustride - 1;
21         if (rnp->grphi >= NR_CPUS)
22             rnp->grphi = NR_CPUS - 1;
23         if (i == 0) {
24             rnp->grpnum = 0;
25             rnp->grpmask = 0;
26             rnp->parent = NULL;
27         } else {
28             rnp->grpnum = j % rsp->levelspread[i - 1];
29             rnp->grpmask = 1UL << rnp->grpnum;
30             rnp->parent = rsp->level[i - 1] +
31                j / rsp->levelspread[i - 1];
32         }
33         rnp->level = i;
34     }
35 }
36 }

```

Figure D.28: rcu\_init\_one() Code

is in turn the first element of the `->node[]` array in the `rcu_state` structure. This array is further laid out in breadth-first order. Keeping all of this in mind, the loop at lines 8-10 initializes the rest of the `->level[]` array to reference the first `rcu_node` structure of each level of the `rcu_node` hierarchy.

Line 11 then invokes `rcu_init_levelspread()`, which fills in the `->levelspread[]` array, as was described in Section D.3.3.1. The auxiliary arrays are then fully initialized, and thus ready for the loop from lines 15-35, each pass through which initializes one level of the `rcu_node` hierarchy, starting from the leaves.

Line 13 computes the number of CPUs per `rcu_node` structure for the current level of the hierarchy, and line 14 obtains a pointer to the first `rcu_node` structure on the current level of the hierarchy, in preparation for the loop from lines 15-34, each pass through which initializes one `rcu_node` structure.

Lines 16-18 initialize the `rcu_node` structure's spinlock and its CPU masks. The `qsmaskinit` field will have bits set as CPUs come online later in boot, and the `qsmask` field will have bits set when the first grace period starts. Line 19 sets the `->grplo` field to the number of the this `rcu_node` structure's first CPU and line 20 sets the `->grphi` to the number of this `rcu_node` structure's last CPU. If the last `rcu_node` structure on a given level of the hierarchy is only partially full, lines 21 and 22 set its `->grphi` field to the number of the last possible CPU in the system.

Lines 24-26 initialize the `->grpnum`, `->grpmask`, and `->parent` fields for the root `rcu_node` structure, which has no parent, hence the zeroes and NULL. Lines 28-31 initialize these same fields for the rest of the `rcu_node` structures in the hierarchy. Line 28 computes the `->grpnum` field as the index of this `rcu_node` structure within the set having the same parent, and line 29 sets the corresponding bit in the `->grpmask` field. Finally, lines 30-31 places a pointer to the parent node into the `->parent` field. These three fields will be used to propagate quiescent states up the hierarchy.

Finally, line 33 records the hierarchy level in `->level`, which is used for tracing when traversing the full hierarchy.

### D.3.3.3 `__rcu_init()`

Figure D.29 shows the `__rcu_init()` function and its `RCU_DATA_PTR_INIT()` helper macro. The `__rcu_init()` function is invoked during early boot, before the scheduler has initialized, and before more than one CPU is running.

The `RCU_DATA_PTR_INIT()` macro takes as arguments a pointer to an `rcu_state` structure and the name of a set of `rcu_data` per-CPU variables. This macro scans the per-CPU `rcu_data` structures, assigning the `->mynode` pointer of each `rcu_data` structure to point to the corresponding leaf `rcu_node` structure. It also fills out the specified `rcu_state` structure's `->rda[]` array entries to each point to the corresponding `rcu_data` structure. Line 3 picks up a pointer to the first leaf `rcu_node` structure in local variable `rnj` (which must be declared by the invoker of this macro), and line 4 sets local variable `j` to the corresponding leaf-node number of zero. Each pass through the loop spanning lines 5-10 performs initialization for the corresponding potential CPU (as specified by `NR_CPUS`). Within this loop, line 6 checks to see if we have moved beyond the bounds of the current leaf `rcu_node` structure, and, if so, line 7 advances to the next structure. Then, still within the loop, line 8 sets the `->mynode` pointer of the current CPU's `rcu_data` structure to reference the current leaf `rcu_node` structure, and line 9 sets the current CPU's `->rda[]` element (within the `rcu_state` structure) to reference the current CPU's `rcu_data` structure.

**Quick Quiz D.34:** C-preprocessor macros are *so* 1990s! Why not get with the times

```

1 #define RCU_DATA_PTR_INIT(rsp, rcu_data) \
2 do { \
3   rnp = (rsp)->level[NUM_RCU_LVLLS - 1]; \
4   j = 0; \
5   for_each_possible_cpu(i) { \
6     if (i > rnp[j].grphi) \
7       j++; \
8     per_cpu(rcu_data, i).mynode = &rnp[j]; \
9     (rsp)->rda[i] = &per_cpu(rcu_data, i); \
10  } \
11 } while (0)
12
13 void __init __rcu_init(void)
14 {
15   int i;
16   int j;
17   struct rcu_node *rnp;
18
19   rcu_init_one(&rcu_state);
20   RCU_DATA_PTR_INIT(&rcu_state, rcu_data);
21   rcu_init_one(&rcu_bh_state);
22   RCU_DATA_PTR_INIT(&rcu_bh_state, rcu_bh_data);
23
24   for_each_online_cpu(i)
25     rcu_cpu_notify(&rcu_nb, CPU_UP_PREPARE,
26                   (void *) (long)i);
27   register_cpu_notifier(&rcu_nb);
28 }

```

Figure D.29: `__rcu_init()` Code

and convert `RCU_DATA_PTR_INIT()` in Figure D.29 to be a function? ■

The `__rcu_init()` function first invokes `rcu_init_one()` on the `rcu_state` structure on line 19, then invokes `RCU_DATA_PTR_INIT()` on the `rcu_state` structure and the `rcu_data` set of per-CPU variables. It then repeats this for `rcu_bh_state` and `rcu_bh_data` on lines 21-22. The loop spanning lines 24-26 invokes `rcu_cpu_notify()` for each CPU that is currently online (which should be only the boot CPU), and line 27 registers a notifier so that `rcu_cpu_notify()` will be invoked each time a CPU comes online, in order to inform RCU of its presence.

**Quick Quiz D.35:** What happens if a CPU comes online between the time that the last online CPU is notified on lines 25-26 of Figure D.29 and the time that `register_cpu_notifier()` is invoked on line 27? ■

The `rcu_cpu_notify()` and related functions are discussed in Section D.3.4 below.

## D.3.4 CPU Hotplug

The CPU-hotplug functions described in the following sections allow RCU to track which CPUs are and are not present, but also complete initialization of each CPU's `rcu_data` structure as that CPU comes online.

### D.3.4.1 `rcu_init_percpu_data()`

Figure D.30 shows the code for `rcu_init_percpu_data()`, which initializes the specified CPU's `rcu_data` structure in response to booting up or to that CPU coming online. It also sets up the `rcu_node` hierarchy so that this CPU will participate in future grace periods.

```

1 static void
2 rcu_init_percpu_data(int cpu, struct rcu_state *rsp)
3 {
4     unsigned long flags;
5     int i;
6     long lastcomp;
7     unsigned long mask;
8     struct rcu_data *rdp = rsp->rda[cpu];
9     struct rcu_node *rnp = rcu_get_root(rsp);
10
11     spin_lock_irqsave(&rnp->lock, flags);
12     lastcomp = rsp->completed;
13     rdp->completed = lastcomp;
14     rdp->gpnum = lastcomp;
15     rdp->passed_quiesc = 0;
16     rdp->qs_pending = 1;
17     rdp->beenonline = 1;
18     rdp->passed_quiesc_completed = lastcomp - 1;
19     rdp->grpmask = 1UL << (cpu - rdp->mynode->grplo);
20     rdp->nxtlist = NULL;
21     for (i = 0; i < RCU_NEXT_SIZE; i++)
22         rdp->nxttail[i] = &rdp->nxtlist;
23     rdp->qlen = 0;
24     rdp->blimit = blimit;
25 #ifdef CONFIG_NO_HZ
26     rdp->dynticks = &per_cpu(rcu_dynticks, cpu);
27 #endif /* #ifdef CONFIG_NO_HZ */
28     rdp->cpu = cpu;
29     spin_unlock(&rnp->lock);
30     spin_lock(&rsp->onofflock);
31     rnp = rdp->mynode;
32     mask = rdp->grpmask;
33     do {
34         spin_lock(&rnp->lock);
35         rnp->qsmaskinit |= mask;
36         mask = rnp->grpmask;
37         spin_unlock(&rnp->lock);
38         rnp = rnp->parent;
39     } while (rnp != NULL && !(rnp->qsmaskinit & mask));
40     spin_unlock(&rsp->onofflock);
41     cpu_quiet(cpu, rsp, rdp, lastcomp);
42     local_irq_restore(flags);
43 }

```

Figure D.30: rcu\_init\_percpu\_data() Code

```

1 static void __cpuinit rcu_online_cpu(int cpu)
2 {
3 #ifdef CONFIG_NO_HZ
4   struct rcu_dynticks *rdtp;
5
6   rdtp = &per_cpu(rcu_dynticks, cpu);
7   rdtp->dynticks_nesting = 1;
8   rdtp->dynticks |= 1;
9   rdtp->dynticks_nmi = (rdtp->dynticks_nmi + 1) & ~0x1;
10 #endif /* #ifdef CONFIG_NO_HZ */
11   rcu_init_percpu_data(cpu, &rcu_state);
12   rcu_init_percpu_data(cpu, &rcu_bh_state);
13   open_softirq(RCU_SOFTIRQ, rcu_process_callbacks);
14 }

```

Figure D.31: `rcu_online_cpu()` Code

Line 8 gets a pointer to this CPU’s `rcu_data` structure, based on the specified `rcu_state` structure, and places this pointer into the local variable `rdp`. Line 9 gets a pointer to the root `rcu_node` structure for the specified `rcu_state` structure, placing it in local variable `rnp`.

Lines 11-29 initialize the fields of the `rcu_data` structure under the protection of the root `rcu_node` structure’s lock in order to ensure consistent values. Line 17 is important for tracing, due to the fact that many Linux distributions set `NR_CPUS` to a very large number, which could result in excessive output when tracing `rcu_data` structures. The `->beenonline` field is used to solve this problem, as it will be set to the value one on any `rcu_data` structure corresponding to a CPU that has ever been online, and set to zero for all other `rcu_data` structures. This allows the tracing code to easily ignore irrelevant CPUs.

Lines 30-40 propagate the onlining CPU’s bit up the `rcu_node` hierarchy, proceeding until either the root `rcu_node` is reached or until the corresponding bit is already set, whichever comes first. This bit-setting is done under the protection of `->onofflock` in order to exclude initialization of a new grace period, and, in addition, each `rcu_node` structure is initialized under the protection of its lock. Line 41 then invokes `cpu_quiet()` to signal RCU that this CPU has been in an extended quiescent state, and finally, line 42 re-enables irqs.

**Quick Quiz D.36:** Why call `cpu_quiet()` on line 41 of Figure D.30, given that we are excluding grace periods with various locks, and given that any earlier grace periods would not have been waiting on this previously-offlined CPU? ■

It is important to note that `rcu_init_percpu_data()` is invoked not only at boot time, but also every time that a given CPU is brought online.

#### D.3.4.2 `rcu_online_cpu()`

Figure D.31 shows the code for `rcu_online_cpu()`, which informs RCU that the specified CPU is coming online.

When `dynticks` (`CONFIG_NO_HZ`) is enabled, line 6 obtains a reference to the specified CPU’s `rcu_dynticks` structure, which is shared between the “`rcu`” and “`rcu_bh`” implementations of RCU. Line 7 sets the `->dynticks_nesting` field to the value one, reflecting the fact that a newly onlined CPU is not in `dynticks-idle` mode (recall that the `->dynticks_nesting` field tracks the number of reasons that the corresponding CPU needs to be tracked for RCU read-side critical sections, in this case because it can run process-level code). Line 8 forces the `->dynticks` field to an

```

1 static void
2 __rcu_offline_cpu(int cpu, struct rcu_state *rsp)
3 {
4     int i;
5     unsigned long flags;
6     long lastcomp;
7     unsigned long mask;
8     struct rcu_data *rdp = rsp->rda[cpu];
9     struct rcu_data *rdp_me;
10    struct rcu_node *rnp;
11
12    spin_lock_irqsave(&rsp->onofflock, flags);
13    rnp = rdp->mynode;
14    mask = rdp->grpmask;
15    do {
16        spin_lock(&rnp->lock);
17        rnp->qsmaskinit &= ~mask;
18        if (rnp->qsmaskinit != 0) {
19            spin_unlock(&rnp->lock);
20            break;
21        }
22        mask = rnp->grpmask;
23        spin_unlock(&rnp->lock);
24        rnp = rnp->parent;
25    } while (rnp != NULL);
26    lastcomp = rsp->completed;
27    spin_unlock(&rsp->onofflock);
28    cpu_quiet(cpu, rsp, rdp, lastcomp);
29    rdp_me = rsp->rda[smp_processor_id()];
30    if (rdp->nxtlist != NULL) {
31        *rdp_me->nxttail[RCU_NEXT_TAIL] = rdp->nxtlist;
32        rdp_me->nxttail[RCU_NEXT_TAIL] =
33            rdp->nxttail[RCU_NEXT_TAIL];
34        rdp->nxtlist = NULL;
35        for (i = 0; i < RCU_NEXT_SIZE; i++)
36            rdp->nxttail[i] = &rdp->nxtlist;
37        rdp_me->qlen += rdp->qlen;
38        rdp->qlen = 0;
39    }
40    local_irq_restore(flags);
41 }
42
43 static void rcu_offline_cpu(int cpu)
44 {
45     __rcu_offline_cpu(cpu, &rcu_state);
46     __rcu_offline_cpu(cpu, &rcu_bh_state);
47 }

```

Figure D.32: rcu\_offline\_cpu() Code

odd value that is at least as large as the last value it had when previously online, again reflecting the fact that newly onlined CPUs are not in dynticks-idle mode, and line 9 forces the `->dynticks_nmi` field to an even value that is at least as large as the last value it had when previously online, reflecting the fact that this CPU is not currently executing in an NMI handler.

Lines 11-13 are executed regardless of the value of the `CONFIG_NO_HZ` kernel parameter. Line 11 initializes the specified CPU's `rcu_data` structure for "rcu", and line 12 does so for "rcu\_bh". Finally, line 13 registers the `rcu_process_callbacks()` to be invoked by subsequent `raise_softirq()` invocations on this CPU.

### D.3.4.3 rcu\_offline\_cpu()

Figure D.32 shows the code for `__rcu_offline_cpu()` and its wrapper function, `rcu_offline_cpu()`. The purpose of this wrapper function (shown in lines 43-47 of the figure) is simply to invoke `__rcu_offline_cpu()` twice, once for “rcu” and again for “rcu\_bh”. The purpose of the `__rcu_offline_cpu()` function is to prevent future grace periods from waiting on the CPU being offlined, to note the extended quiescent state, and to find a new home for any RCU callbacks in process on this CPU.

Turning to `__rcu_offline_cpu()`, shown on lines 1-41 of the figure, line 12 acquires the specified `rcu_state` structure’s `->onofflock`, excluding grace-period initialization for multi-`rcu_node` hierarchies.

**Quick Quiz D.37:** But what if the `rcu_node` hierarchy has only a single structure, as it would on a small system? What prevents concurrent grace-period initialization in that case, given the code in Figure D.32? ■

Line 13 picks up a pointer to the leaf `rcu_node` structure corresponding to this CPU, using the `->mynode` pointer in this CPU’s `rcu_data` structure (see Figure D.26). Line 14 picks up a mask with this CPU’s bit set for use on the leaf `rcu_node` structure’s `qsmask` field.

The loop spanning lines 15-25 then clears this CPU’s bits up the `rcu_node` hierarchy, starting with this CPU’s leaf `rcu_node` structure. Line 16 acquires the current `rcu_node` structure’s `->lock` field, and line 17 clears the bit corresponding to this CPU (or group, higher up in the hierarchy) from the `->qsmaskinit` field, so that future grace periods will not wait on quiescent states from this CPU. If the resulting `->qsmaskinit` value is non-zero, as checked by line 18, then the current `rcu_node` structure has other online CPUs that it must track, so line 19 releases the current `rcu_node` structure’s `->lock` and line 20 exits the loop. Otherwise, we need to continue walking up the `rcu_node` hierarchy. In this case, line 22 picks up the mask to apply to the next level up, line 23 releases the current `rcu_node` structure’s `->lock`, and line 24 advances up to the next level of the hierarchy. Line 25 exits the loop should we exit out the top of the hierarchy.

**Quick Quiz D.38:** But does line 25 of Figure D.32 ever really exit the loop? Why or why not? ■

Line 26 picks up the specified `rcu_state` structure’s `->completed` field into the local variable `lastcomp`, line 27 releases `->onofflock` (but leaves `irqs` disabled), and line 28 invokes `cpu_quiet()` in order to note that the CPU being offlined is now in an extended quiescent state, passing in `lastcomp` to avoid reporting this quiescent state against a different grace period than it occurred in.

**Quick Quiz D.39:** Suppose that line 26 got executed seriously out of order in Figure D.32, so that `lastcomp` is set to some prior grace period, but so that the current grace period is still waiting on the now-offline CPU? In this case, won’t the call to `cpu_quiet()` fail to report the quiescent state, thus causing the grace period to wait forever for this now-offline CPU? ■

**Quick Quiz D.40:** Given that an offline CPU is in an extended quiescent state, why does line 28 of Figure D.32 need to care which grace period it is dealing with? ■

Lines 29-39 move any RCU callbacks from the CPU going offline to the currently running CPU. This operation must avoid reordering the callbacks being moved, as otherwise `rcu_barrier()` will not work correctly. Line 29 puts a pointer to the currently running CPU’s `rcu_data` structure into local variable `rdp_me`. Line 30 then checks to see if the CPU going offline has any RCU callbacks. If so, lines 31-38

```

1 long rcu_batches_completed(void)
2 {
3     return rcu_state.completed;
4 }
5
6 long rcu_batches_completed_bh(void)
7 {
8     return rcu_bh_state.completed;
9 }
10
11 static int
12 cpu_has_callbacks_ready_to_invoke(struct rcu_data *rdp)
13 {
14     return &rdp->nxtlist != rdp->nxttail[RCU_DONE_TAIL];
15 }
16
17 static int
18 cpu_needs_another_gp(struct rcu_state *rsp,
19                     struct rcu_data *rdp)
20 {
21     return *rdp->nxttail[RCU_DONE_TAIL] &&
22           ACCESS_ONCE(rsp->completed) ==
23           ACCESS_ONCE(rsp->gpnum);
24 }
25
26 static struct rcu_node
27 *rcu_get_root(struct rcu_state *rsp)
28 {
29     return &rsp->node[0];
30 }

```

Figure D.33: Miscellaneous Functions

move them. Line 31 splices the list of callbacks onto the end of the running CPU's list. Lines 32-33 sets the running CPU's callback tail pointer to that of the CPU going offline, and then lines 34-36 initialize the going-offline CPU's list to be empty. Line 37 adds the length of the going-offline CPU's callback list to that of the currently running CPU, and, finally, line 38 zeroes the going-offline CPU's list length.

**Quick Quiz D.41:** But this list movement in Figure D.32 makes all of the going-offline CPU's callbacks go through another grace period, even if they were ready to invoke. Isn't that inefficient? Furthermore, couldn't an unfortunate pattern of CPUs going offline then coming back online prevent a given callback from ever being invoked?

■

Finally, line 40 re-enables irqs.

### D.3.5 Miscellaneous Functions

This section describes the miscellaneous utility functions:

1. rcu\_batches\_completed
2. rcu\_batches\_completed\_bh
3. cpu\_has\_callbacks\_ready\_to\_invoke
4. cpu\_needs\_another\_gp
5. rcu\_get\_root

Figure D.33 shows a number of miscellaneous functions. Lines 1-9 show `rcu_batches_completed()` and `rcu_batches_completed_bh()`, which are used



```

1 static void note_new_gpnum(struct rcu_state *rsp,
2                          struct rcu_data *rdp)
3 {
4     rdp->qs_pending = 1;
5     rdp->passed_quiesc = 0;
6     rdp->gpnum = rsp->gpnum;
7     rdp->n_rcu_pending_force_qs = rdp->n_rcu_pending +
8         RCU_JIFFIES_TILL_FORCE_QS;
9 }
10
11 static int
12 check_for_new_grace_period(struct rcu_state *rsp,
13                          struct rcu_data *rdp)
14 {
15     unsigned long flags;
16     int ret = 0;
17
18     local_irq_save(flags);
19     if (rdp->gpnum != rsp->gpnum) {
20         note_new_gpnum(rsp, rdp);
21         ret = 1;
22     }
23     local_irq_restore(flags);
24     return ret;
25 }

```

Figure D.34: Noting New Grace Periods

by the rcutorture test suite. Lines 11-15 show `cpu_has_callbacks_ready_to_invoke()`, which indicates whether the specified `rcu_data` structure has RCU callbacks that have passed through their grace period, which is indicated by the “done” tail pointer no longer pointing to the head of the list. Lines 17-24 show `cpu_needs_another_gp()`, which indicates whether the CPU corresponding to the specified `rcu_data` structure requires an additional grace period during a time when no grace period is in progress. Note that the specified `rcu_data` structure is required to be associated with the specified `rcu_state` structure. Finally, lines 26-30 show `rcu_get_root()`, which returns the root `rcu_node` structure associated with the specified `rcu_state` structure.

## D.3.6 Grace-Period-Detection Functions

This section covers functions that are directly involved in detecting beginnings and ends of grace periods. This of course includes actually starting and ending grace periods, but also includes noting when other CPUs have started or ended grace periods.

### D.3.6.1 Noting New Grace Periods

The main purpose of Hierarchical RCU is to detect grace periods, and the functions more directly involved in this task are described in this section. Section D.3.6.1 covers functions that allow CPUs to note that a new grace period has begun, Section D.3.6.2 covers functions that allow CPUs to note that an existing grace period has ended, Section D.3.6.3 covers `rcu_start_gp()`, which starts a new grace period, and Section D.3.6.4 covers functions involved in reporting CPUs’ quiescent states to the RCU core.

Figure D.34 shows the code for `note_new_gpnum()`, which updates state to reflect a new grace period, as well as `check_for_new_grace_period()`, which is used by CPUs to detect when other CPUs have started a new grace period.

```

1 static void
2 rcu_process_gp_end(struct rcu_state *rsp,
3                   struct rcu_data *rdp)
4 {
5     long completed_snap;
6     unsigned long flags;
7
8     local_irq_save(flags);
9     completed_snap = ACCESS_ONCE(rsp->completed);
10    if (rdp->completed != completed_snap) {
11        rdp->nxttail[RCU_DONE_TAIL] =
12            rdp->nxttail[RCU_WAIT_TAIL];
13        rdp->nxttail[RCU_WAIT_TAIL] =
14            rdp->nxttail[RCU_NEXT_READY_TAIL];
15        rdp->nxttail[RCU_NEXT_READY_TAIL] =
16            rdp->nxttail[RCU_NEXT_TAIL];
17        rdp->completed = completed_snap;
18    }
19    local_irq_restore(flags);
20 }

```

Figure D.35: Noting End of Old Grace Periods

Line 4 of `note_new_gpnum()` sets the `->qs_pending` flag in the current CPU's `rcu_data` structure to indicate that RCU needs a quiescent state from this CPU, line 5 clears the `->passed_quiesc` flag to indicate that this CPU has not yet passed through such a quiescent state, line 6 copies the grace-period number from the global `rcu_state` structure to this CPU's `rcu_data` structure so that this CPU will remember that it has already noted the beginning of this new grace period. Finally, lines 7-8 record the time in jiffies at which this CPU will attempt to force holdout CPUs to pass through quiescent states (by invoking `force_quiescent_state()` on or after that future time), assuming that the grace period does not end beforehand.

Lines 18 and 23 of `check_for_new_grace_period()` disable and re-enable interrupts, respectively. Line 19 checks to see if there is a new grace period that the current CPU has not yet noted, and, if so, line 20 invokes `note_new_gpnum()` in order to note the new grace period, and line 21 sets the return value accordingly. Either way, line 24 returns status: non-zero if a new grace period has started, and zero otherwise.

**Quick Quiz D.42:** Why not just expand `note_new_gpnum()` inline into `check_for_new_grace_period()` in Figure D.34? ■

### D.3.6.2 Noting End of Old Grace Periods

Figure D.35 shows `rcu_process_gp_end()`, which is invoked when a CPU suspects that a grace period might have ended (possibly because the CPU in question in fact ended the grace period). If a grace period really has ended, then this function advances the current CPU's RCU callbacks, which are managed as a singly linked list with multiple tail pointers, as shown in Figure D.36. This multiple tail pointer layout, spearheaded by Lai Jiangshan, simplifies list handling [Jia08]. In this figure, the blue box represents one CPU's `rcu_data` structure, with the six white boxes at the bottom of the diagram representing a list of six RCU callbacks (`rcu_head` structures). In this list, the first three callbacks have passed through their grace period and are thus waiting to be invoked, the fourth callback (the first on the second line) is waiting for the current grace period to complete, and the last two are waiting for the next grace period. The last two tail pointers reference the last element, so that the final sublist,

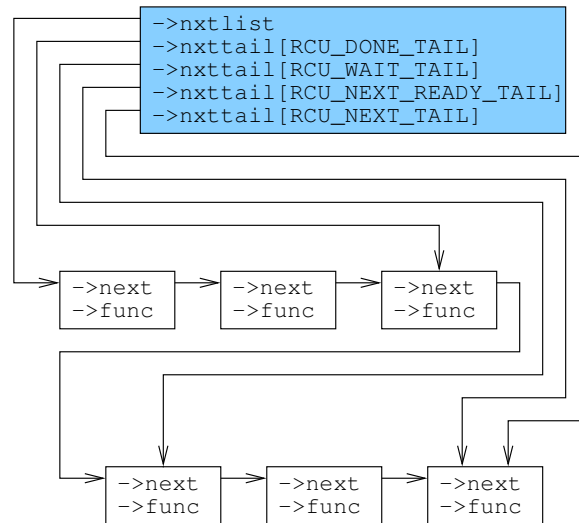


Figure D.36: RCU Callback List

which would comprise callbacks that had not yet been associated with a specific grace period, is empty.

Lines 8 and 19 of Figure D.35 suppress and re-enable interrupts, respectively. Line 9 picks up a snapshot of the `rcu_state` structure's `->completed` field, storing it in the local variable `completed_snap`. Line 10 checks to see if the current CPU is not yet aware of the end of a grace period, and if it is not aware, lines 11-16 advance this CPU's RCU callbacks by manipulating the tail pointers. Line 17 then records the most recently completed grace period number in this CPU's `rcu_data` structure in the `->completed` field.

### D.3.6.3 Starting a Grace Period

Figure D.37 shows `rcu_start_gp()`, which starts a new grace period, also releasing the root `rcu_node` structure's lock, which must be acquired by the caller.

Line 3 is annotation for the `sparse` utility, indicating that `rcu_start_gp()` releases the root `rcu_node` structure's lock. Local variable `rdp` references the running CPU's `rcu_data` structure, `rnp` references the root `rcu_node` structure, and `rnp_cur` and `rnp_end` are used as cursors in traversing the `rcu_node` hierarchy.

Line 10 invokes `cpu_needs_another_gp()` to see if this CPU really needs another grace period to be started, and if not, line 11 releases the root `rcu_node` structure's lock and line 12 returns. This code path can be executed due to multiple CPUs concurrently attempting to start a grace period. In this case, the winner will start the grace period, and the losers will exit out via this code path.

Otherwise, line 14 increments the specified `rcu_state` structure's `->gpnum` field, officially marking the start of a new grace period.

**Quick Quiz D.43:** But there has been no initialization yet at line 15 of Figure D.37! What happens if a CPU notices the new grace period and immediately attempts to report a quiescent state? Won't it get confused? ■

Line 15 sets the `->signaled` field to `RCU_GP_INIT` in order to prevent any other

```

1 static void
2 rcu_start_gp(struct rcu_state *rsp, unsigned long flags)
3   __releases(rcu_get_root(rsp)->lock)
4 {
5   struct rcu_data *rdp = rsp->rda[smp_processor_id()];
6   struct rcu_node *rnp = rcu_get_root(rsp);
7   struct rcu_node *rnp_cur;
8   struct rcu_node *rnp_end;
9
10  if (!cpu_needs_another_gp(rsp, rdp)) {
11    spin_unlock_irqrestore(&rnp->lock, flags);
12    return;
13  }
14  rsp->gpnum++;
15  rsp->signaled = RCU_GP_INIT;
16  rsp->jiffies_force_qs = jiffies +
17    RCU_JIFFIES_TILL_FORCE_QS;
18  rdp->n_rcu_pending_force_qs = rdp->n_rcu_pending +
19    RCU_JIFFIES_TILL_FORCE_QS;
20  record_gp_stall_check_time(rsp);
21  dyntick_record_completed(rsp, rsp->completed - 1);
22  note_new_gpnum(rsp, rdp);
23  rdp->nxttail[RCU_NEXT_READY_TAIL] =
24    rdp->nxttail[RCU_NEXT_TAIL];
25  rdp->nxttail[RCU_WAIT_TAIL] =
26    rdp->nxttail[RCU_NEXT_TAIL];
27  if (NUM_RCU_NODES == 1) {
28    rnp->qsmask = rnp->qsmaskinit;
29    spin_unlock_irqrestore(&rnp->lock, flags);
30    return;
31  }
32  spin_unlock(&rnp->lock);
33  spin_lock(&rsp->onofflock);
34  rnp_end = rsp->level[NUM_RCU_LVL - 1];
35  rnp_cur = &rnp->node[0];
36  for (; rnp_cur < rnp_end; rnp_cur++)
37    rnp_cur->qsmask = rnp_cur->qsmaskinit;
38  rnp_end = &rnp->node[NUM_RCU_NODES];
39  rnp_cur = rsp->level[NUM_RCU_LVL - 1];
40  for (; rnp_cur < rnp_end; rnp_cur++) {
41    spin_lock(&rnp_cur->lock);
42    rnp_cur->qsmask = rnp_cur->qsmaskinit;
43    spin_unlock(&rnp_cur->lock);
44  }
45  rsp->signaled = RCU_SIGNAL_INIT;
46  spin_unlock_irqrestore(&rsp->onofflock, flags);
47 }

```

Figure D.37: Starting a Grace Period

CPU from attempting to force an end to the new grace period before its initialization completes. Lines 16-18 schedule the next attempt to force an end to the new grace period, first in terms of jiffies and second in terms of the number of calls to `rcu_pending`. Of course, if the grace period ends naturally before that time, there will be no need to attempt to force it. Line 20 invokes `record_gp_stall_check_time()` to schedule a longer-term progress check—if the grace period extends beyond this time, it should be considered to be an error. Line 22 invokes `note_new_gpnum()` in order to initialize this CPU's `rcu_data` structure to account for the new grace period.

Lines 23-26 advance all of this CPU's callbacks so that they will be eligible to be invoked at the end of this new grace period. This represents an acceleration of callbacks, as other CPUs would only be able to move the `RCU_NEXT_READY_TAIL` batch to be serviced by the current grace period; the `RCU_NEXT_TAIL` would instead need to be advanced to the `RCU_NEXT_READY_TAIL` batch. The reason that this CPU can accelerate the `RCU_NEXT_TAIL` batch is that it knows exactly when this new grace period started. In contrast, other CPUs would be unable to correctly resolve the race between the start of a new grace period and the arrival of a new RCU callback.

Line 27 checks to see if there is but one `rcu_node` structure in the hierarchy, and if so, line 28 sets the `->qsmask` bits corresponding to all online CPUs, in other words, corresponding to those CPUs that must pass through a quiescent state for the new grace period to end. Line 29 releases the root `rcu_node` structure's lock and line 30 returns. In this case, gcc's dead-code elimination is expected to dispense with lines 32-46.

Otherwise, the `rcu_node` hierarchy has multiple structures, requiring a more involved initialization scheme. Line 32 releases the root `rcu_node` structure's lock, but keeps interrupts disabled, and then line 33 acquires the specified `rcu_state` structure's `->onofflock`, preventing any concurrent CPU-hotplug operations from manipulating RCU-specific state.

Line 34 sets the `rnp_end` local variable to reference the first leaf `rcu_node` structure, which also happens to be the `rcu_node` structure immediately following the last non-leaf `rcu_node` structure in the `->node` array. Line 35 sets the `rnp_cur` local variable to reference the root `rcu_node` structure, which also happens to be first such structure in the `->node` array. Lines 36 and 37 then traverse all of the non-leaf `rcu_node` structures, setting the bits corresponding to lower-level `rcu_node` structures that have CPUs that must pass through quiescent states in order for the new grace period to end.

**Quick Quiz D.44:** Hey! Shouldn't we hold the non-leaf `rcu_node` structures' locks when munging their state in line 37 of Figure D.37??? ■

Line 38 sets local variable `rnp_end` to one past the last leaf `rcu_node` structure, and line 39 sets local variable `rnp_cur` to the first leaf `rcu_node` structure, so that the loop spanning lines 40-44 traverses all leaves of the `rcu_node` hierarchy. During each pass through this loop, line 41 acquires the current leaf `rcu_node` structure's lock, line 42 sets the bits corresponding to online CPUs (each of which must pass through a quiescent state before the new grace period can end), and line 43 releases the lock.

**Quick Quiz D.45:** Why can't we merge the loop spanning lines 36-37 with the loop spanning lines 40-44 in Figure D.37? ■

Line 45 then sets the specified `rcu_state` structure's `->signaled` field to permit forcing of quiescent states, and line 46 releases the `->onofflock` to permit CPU-hotplug operations to manipulate RCU state.

```

1 void rcu_qsctr_inc(int cpu)
2 {
3     struct rcu_data *rdp = &per_cpu(rcu_data, cpu);
4     rdp->passed_quiesc = 1;
5     rdp->passed_quiesc_completed = rdp->completed;
6 }
7
8 void rcu_bh_qsctr_inc(int cpu)
9 {
10    struct rcu_data *rdp = &per_cpu(rcu_bh_data, cpu);
11    rdp->passed_quiesc = 1;
12    rdp->passed_quiesc_completed = rdp->completed;
13 }

```

Figure D.38: Code for Recording Quiescent States

### D.3.6.4 Reporting Quiescent States

This hierarchical RCU implementation implements a layered approach to reporting quiescent states, using the following functions:

1. `rcu_qsctr_inc()` and `rcu_bh_qsctr_inc()` are invoked when a given CPU passes through a quiescent state for “rcu” and “rcu\_bh”, respectively. Note that the dynticks-idle and CPU-offline quiescent states are handled specially, due to the fact that such a CPU is not executing, and thus is unable to report itself as being in a quiescent state.
2. `rcu_check_quiescent_state()` checks to see if the current CPU has passed through a quiescent state, invoking `cpu_quiet()` if so.
3. `cpu_quiet()` reports the specified CPU as having passed through a quiescent state by invoking `cpu_quiet_msk()`. The specified CPU must either be the current CPU or an offline CPU.
4. `cpu_quiet_msk()` reports the specified vector of CPUs as having passed through a quiescent state. The CPUs in the vector need not be the current CPU, nor must they be offline.

Each of these functions is described below.

Figure D.38 shows the code for `rcu_qsctr_inc()` and `rcu_bh_qsctr_inc()`, which note the current CPU’s passage through a quiescent state.

Line 3 of `rcu_qsctr_inc()` obtains a pointer to the specified CPU’s `rcu_data` structure (which corresponds to “rcu” as opposed to “rcu\_bh”). Line 4 sets the `->passed_quiesc` field, recording the quiescent state. Line 5 sets the `->passed_quiesc_completed` field to the number of the last completed grace period that this CPU knows of (which is stored in the `->completed` field of the `rcu_data` structure).

The `rcu_bh_qsctr_inc()` function operates in the same manner, the only difference being that line 10 obtains the `rcu_data` pointer from the `rcu_bh_data` per-CPU variable rather than the `rcu_data` per-CPU variable.

Figure D.39 shows the code for `rcu_check_quiescent_state()`, which is invoked from `rcu_process_callbacks()` (described in Section D.3.2.4) in order to determine when other CPUs have started a new grace period and to inform RCU of recent quiescent states for this CPU.

```

1 static void
2 rcu_check_quiescent_state(struct rcu_state *rsp,
3                          struct rcu_data *rdp)
4 {
5     if (check_for_new_grace_period(rsp, rdp))
6         return;
7     if (!rdp->qs_pending)
8         return;
9     if (!rdp->passed_quiesc)
10        return;
11    cpu_quiet(rdp->cpu, rsp, rdp,
12            rdp->passed_quiesc_completed);
13 }

```

Figure D.39: Code for `rcu_check_quiescent_state()`

```

1 static void
2 cpu_quiet(int cpu, struct rcu_state *rsp,
3          struct rcu_data *rdp, long lastcomp)
4 {
5     unsigned long flags;
6     unsigned long mask;
7     struct rcu_node *rnp;
8
9     rnp = rdp->mynode;
10    spin_lock_irqsave(&rnp->lock, flags);
11    if (lastcomp != ACCESS_ONCE(rsp->completed)) {
12        rdp->passed_quiesc = 0;
13        spin_unlock_irqrestore(&rnp->lock, flags);
14        return;
15    }
16    mask = rdp->grpmask;
17    if ((rnp->qsmask & mask) == 0) {
18        spin_unlock_irqrestore(&rnp->lock, flags);
19    } else {
20        rdp->qs_pending = 0;
21        rdp = rsp->rda[smp_processor_id()];
22        rdp->nxttail[RCU_NEXT_READY_TAIL] =
23            rdp->nxttail[RCU_NEXT_TAIL];
24        cpu_quiet_msk(mask, rsp, rnp, flags);
25    }
26 }

```

Figure D.40: Code for `cpu_quiet()`

Line 5 invokes `check_for_new_grace_period()` to check for a new grace period having been started by some other CPU, and also updating this CPU's local state to account for that new grace period. If a new grace period has just started, line 6 returns. Line 7 checks to see if RCU is still expecting a quiescent state from the current CPU, and line 8 returns if not. Line 9 checks to see if this CPU has passed through a quiescent state since the start of the current grace period (in other words, if `rcu_qsctr_inc()` or `rcu_bh_qsctr_inc()` have been invoked for "rcu" and "rcu\_bh", respectively), and line 10 returns if not.

Therefore, execution reaches line 11 only if a previously noted grace period is still in effect, if this CPU needs to pass through a quiescent state in order to allow this grace period to end, and if this CPU has passed through such a quiescent state. In this case, lines 11-12 invoke `cpu_quiet()` in order to report this quiescent state to RCU.

**Quick Quiz D.46:** What prevents lines 11-12 of Figure D.39 from reporting a quiescent state from a prior grace period against the current grace period? ■

Figure D.40 shows `cpu_quiet`, which is used to report a quiescent state for the specified CPU. As noted earlier, this must either be the currently running CPU or a CPU

```

1 static void
2 cpu_quiet_msk(unsigned long mask, struct rcu_state *rsp,
3               struct rcu_node *rnp, unsigned long flags)
4   __releases(rnp->lock)
5 {
6   for (;;) {
7     if (!(rnp->qsmask & mask)) {
8       spin_unlock_irqrestore(&rnp->lock, flags);
9       return;
10    }
11    rnp->qsmask &= ~mask;
12    if (rnp->qsmask != 0) {
13      spin_unlock_irqrestore(&rnp->lock, flags);
14      return;
15    }
16    mask = rnp->grpmask;
17    if (rnp->parent == NULL) {
18      break;
19    }
20    spin_unlock_irqrestore(&rnp->lock, flags);
21    rnp = rnp->parent;
22    spin_lock_irqsave(&rnp->lock, flags);
23  }
24  rsp->completed = rsp->gpnum;
25  rcu_process_gp_end(rsp, rsp->rda[smp_processor_id()]);
26  rcu_start_gp(rsp, flags);
27 }

```

Figure D.41: Code for `cpu_quiet_msk()`

that is guaranteed to remain offline throughout.

Line 9 picks up a pointer to the leaf `rcu_node` structure responsible for this CPU. Line 10 acquires this leaf `rcu_node` structure's lock and disables interrupts. Line 11 checks to make sure that the specified grace period is still in effect, and, if not, line 11 clears the indication that this CPU passed through a quiescent state (since it belongs to a defunct grace period), line 13 releases the lock and re-enables interrupts, and line 14 returns to the caller.

Otherwise, line 16 forms a mask with the specified CPU's bit set. Line 17 checks to see if this bit is still set in the leaf `rcu_node` structure, and, if not, line 18 releases the lock and re-enables interrupts.

On the other hand, if the CPU's bit is still set, line 20 clears `->qspending`, reflecting that this CPU has passed through its quiescent state for this grace period. Line 21 then overwrites local variable `rdp` with a pointer to the running CPU's `rcu_data` structure, and lines 22-23 updates the running CPU's RCU callbacks so that all those not yet associated with a specific grace period be serviced by the next grace period. Finally, line 24 clears bits up the `rcu_node` hierarchy, ending the current grace period if appropriate and perhaps even starting a new one. Note that `cpu_quiet()` releases the lock and re-enables interrupts.

**Quick Quiz D.47:** How do lines 22-23 of Figure D.40 know that it is safe to promote the running CPU's RCU callbacks? ■

Figure D.41 shows `cpu_quiet_msk()`, which updates the `rcu_node` hierarchy to reflect the passage of the CPUs indicated by argument `mask` through their respective quiescent states. Note that argument `rnp` is the leaf `rcu_node` structure corresponding to the specified CPUs.

**Quick Quiz D.48:** Given that argument `mask` on line 2 of Figure D.41 is an unsigned long, how can it possibly deal with systems with more than 64 CPUs? ■



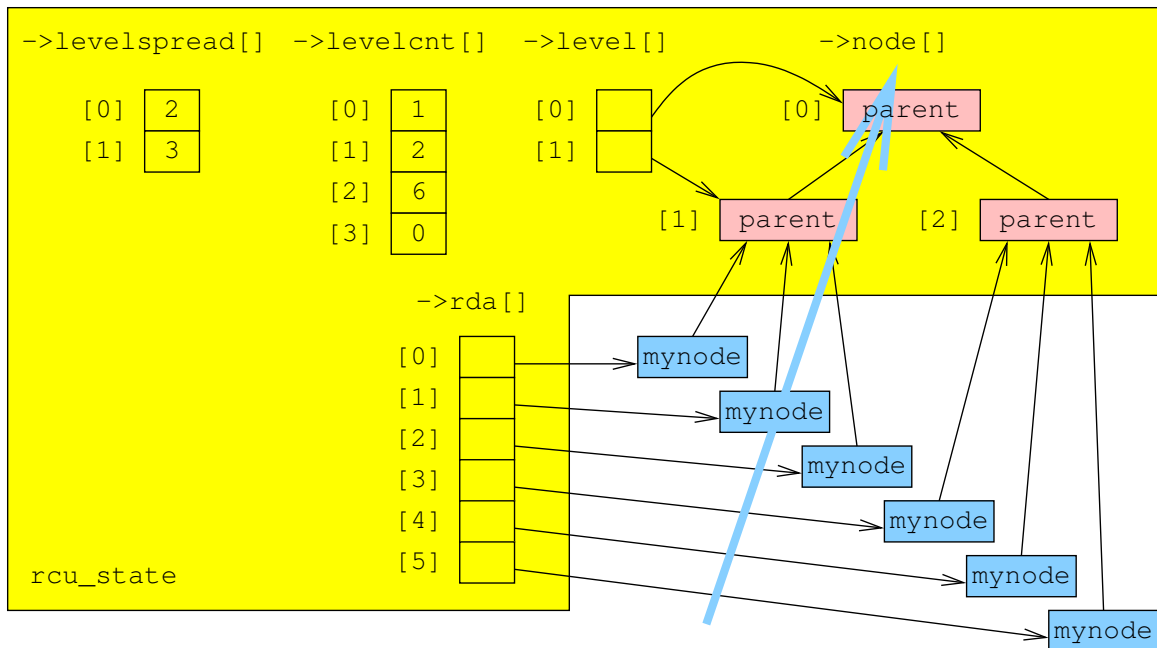


Figure D.42: Scanning `rcu_node` Structures When Applying Quiescent States

Line 4 is annotation for the `sparse` utility, indicating that `cpu_quiet_msk()` releases the leaf `rcu_node` structure's lock.

Each pass through the loop spanning lines 6-23 does the required processing for one level of the `rcu_node` hierarchy, traversing the data structures as shown by the blue arrow in Figure D.42.

Line 7 checks to see if all of the bits in `mask` have already been cleared in the current `rcu_node` structure's `->qsmask` field, and, if so, line 8 releases the lock and re-enables interrupts, and line 9 returns to the caller. If not, line 11 clears the bits specified by `mask` from the current `rcu_node` structure's `qsmask` field. Line 12 then checks to see if there are more bits remaining in `->qsmask`, and, if so, line 13 releases the lock and re-enables interrupts, and line 14 returns to the caller.

Otherwise, it is necessary to advance up to the next level of the `rcu_node` hierarchy. In preparation for this next level, line 16 places a mask with the single bit set corresponding to the current `rcu_node` structure within its parent. Line 17 checks to see if there in fact is a parent for the current `rcu_node` structure, and, if not, line 18 breaks from the loop. On the other hand, if there is a parent `rcu_node` structure, line 20 releases the current `rcu_node` structure's lock, line 21 advances the `rnp` local variable to the parent, and line 22 acquires the parent's lock. Execution then continues at the beginning of the loop on line 7.

If line 18 breaks from the loop, we know that the current grace period has ended, as the only way that all bits can be cleared in the root `rcu_node` structure is if all CPUs have passed through quiescent states. In this case, line 24 updates the `rcu_state` structure's `->completed` field to match the number of the newly ended grace period, indicating that the grace period has in fact ended. Line 24 then invokes `rcu_process_gp_end()` to advance the running CPU's RCU callbacks, and, finally,

```

1 static void rcu_do_batch(struct rcu_data *rdp)
2 {
3     unsigned long flags;
4     struct rcu_head *next, *list, **tail;
5     int count;
6
7     if (!cpu_has_callbacks_ready_to_invoke(rdp))
8         return;
9     local_irq_save(flags);
10    list = rdp->nxtlist;
11    rdp->nxtlist = *rdp->nxttail[RCU_DONE_TAIL];
12    *rdp->nxttail[RCU_DONE_TAIL] = NULL;
13    tail = rdp->nxttail[RCU_DONE_TAIL];
14    for (count = RCU_NEXT_SIZE - 1; count >= 0; count--)
15        if (rdp->nxttail[count] ==
16            rdp->nxttail[RCU_DONE_TAIL])
17            rdp->nxttail[count] = &rdp->nxtlist;
18    local_irq_restore(flags);
19    count = 0;
20    while (list) {
21        next = list->next;
22        prefetch(next);
23        list->func(list);
24        list = next;
25        if (++count >= rdp->blimit)
26            break;
27    }
28    local_irq_save(flags);
29    rdp->qlen -= count;
30    if (list != NULL) {
31        *tail = rdp->nxtlist;
32        rdp->nxtlist = list;
33        for (count = 0; count < RCU_NEXT_SIZE; count++)
34            if (&rdp->nxtlist == rdp->nxttail[count])
35                rdp->nxttail[count] = tail;
36        else
37            break;
38    }
39    if (rdp->blimit == LONG_MAX && rdp->qlen <= qlowmark)
40        rdp->blimit = blimit;
41    local_irq_restore(flags);
42    if (cpu_has_callbacks_ready_to_invoke(rdp))
43        raise_softirq(RCU_SOFTIRQ);
44 }

```

Figure D.43: Code for `rcu_do_batch()`

line 26 invokes `rcu_start_gp()` in order to start a new grace period should any remaining callbacks on the currently running CPU require one.

Figure D.43 shows `rcu_do_batch()`, which invokes RCU callbacks whose grace periods have ended. Only callbacks on the running CPU will be invoked—other CPUs must invoke their own callbacks.

**Quick Quiz D.49:** How do RCU callbacks on dynticks-idle or offline CPUs get invoked? ■

Line 7 invokes `cpu_has_callbacks_ready_to_invoke()` to see if this CPU has any RCU callbacks whose grace period has completed, and, if not, line 8 returns. Lines 9 and 18 disable and re-enable interrupts, respectively. Lines 11-13 remove the ready-to-invoke callbacks from `->nxtlist`, and lines 14-17 make any needed adjustments to the tail pointers.

**Quick Quiz D.50:** Why would lines 14-17 in Figure D.43 need to adjust the tail pointers? ■

Line 19 initializes local variable `count` to zero in preparation for counting the number of callbacks that will actually be invoked. Each pass through the loop spanning

lines 20-27 invokes and counts a callback, with lines 25-26 exiting the loop if too many callbacks are to be invoked at a time (thus preserving responsiveness). The remainder of the function then requeues any callbacks that could not be invoked due to this limit.

Lines 28 and 41 disable and re-enable interrupts, respectively. Line 29 updates the `->qlen` field, which maintains a count of the total number of RCU callbacks for this CPU. Line 30 checks to see if there were any ready-to-invoke callbacks that could not be invoked at the moment due to the limit on the number that may be invoked at a given time. If such callbacks remain, lines 30-38 requeue them, again adjusting the tail pointers as needed. Lines 39-40 restore the batch limit if it was increased due to excessive callback backlog, and lines 42-43 cause additional RCU processing to be scheduled if there are any ready-to-invoke callbacks remaining.

### D.3.7 Dyntick-Idle Functions

The functions in this section are defined only in `CONFIG_NO_HZ` builds of the Linux kernel, though in some cases, extended-no-op versions are present otherwise. These functions control whether or not RCU pays attention to a given CPU. CPUs in dynticks-idle mode are ignored, but only if they are not currently in an interrupt or NMI handler. The functions in this section communicate this CPU state to RCU.

This set of functions is greatly simplified from that used in preemptible RCU, see Section 12.7 for a description of the earlier more-complex model. Manfred Spraul put forth the idea for this simplified interface in one of his state-based RCU patches [Spr08b, Spr08a].

Section D.3.7.1 describes the functions that enter and exit dynticks-idle mode from process context, Section D.3.7.2 describes the handling of NMIs from dynticks-idle mode, Section D.3.7.3 covers handling of interrupts from dynticks-idle mode, and Section D.3.7.4 presents functions that check whether some other CPU is currently in dynticks-idle mode.

#### D.3.7.1 Entering and Exiting Dyntick-Idle Mode

Figure D.44 shows the `rcu_enter_nohz()` and `rcu_exit_nohz()` functions that allow the scheduler to transition to and from dynticks-idle mode. Therefore, after `rcu_enter_nohz()` has been called, RCU will ignore it, at least until the next `rcu_exit_nohz()`, the next interrupt, or the next NMI.

Line 6 of `rcu_enter_nohz()` executes a memory barrier to ensure that any preceding RCU read-side critical sections are seen to have occurred before the following code that tells RCU to ignore this CPU. Lines 7 and 11 disable and restore interrupts in order to avoid interference with the state change. Line 8 picks up a pointer to the running CPU's `rcu_dynticks` structure, line 9 increments the `->dynticks` field (which now must be even to indicate that this CPU may be ignored), and finally line 10 decrements the `->dynticks_nesting` field (which now must be zero to indicate that there is no reason to pay attention to this CPU).

Lines 19 and 23 of `rcu_exit_nohz()` disable and re-enable interrupts, again to avoid interference. Line 20 obtains a pointer to this CPU's `rcu_dynticks` structure, line 21 increments the `->dynticks` field (which now must be odd in order to indicate that RCU must once again pay attention to this CPU), and line 22 increments the `->dynticks_nesting` field (which now must have the value 1 to indicate that there is one reason to pay attention to this CPU).

```

1 void rcu_enter_nohz(void)
2 {
3     unsigned long flags;
4     struct rcu_dynticks *rdtp;
5
6     smp_mb();
7     local_irq_save(flags);
8     rdtp = &__get_cpu_var(rcu_dynticks);
9     rdtp->dynticks++;
10    rdtp->dynticks_nesting--;
11    local_irq_restore(flags);
12 }
13
14 void rcu_exit_nohz(void)
15 {
16     unsigned long flags;
17     struct rcu_dynticks *rdtp;
18
19     local_irq_save(flags);
20     rdtp = &__get_cpu_var(rcu_dynticks);
21     rdtp->dynticks++;
22     rdtp->dynticks_nesting++;
23     local_irq_restore(flags);
24     smp_mb();
25 }

```

Figure D.44: Entering and Exiting Dyntick-Idle Mode

```

1 void rcu_nmi_enter(void)
2 {
3     struct rcu_dynticks *rdtp;
4
5     rdtp = &__get_cpu_var(rcu_dynticks);
6     if (rdtp->dynticks & 0x1)
7         return;
8     rdtp->dynticks_nmi++;
9     smp_mb();
10 }
11
12 void rcu_nmi_exit(void)
13 {
14     struct rcu_dynticks *rdtp;
15
16     rdtp = &__get_cpu_var(rcu_dynticks);
17     if (rdtp->dynticks & 0x1)
18         return;
19     smp_mb();
20     rdtp->dynticks_nmi++;

```

Figure D.45: NMIs from Dyntick-Idle Mode

### D.3.7.2 NMIs from Dyntick-Idle Mode

Figure D.45 shows `rcu_nmi_enter()` and `rcu_nmi_exit()`, which handle NMI entry and exit, respectively. It is important to keep in mind that entering an NMI handler exits dyntick-idle mode and vice versa, in other words, RCU must pay attention to CPUs that claim to be in dyntick-idle mode while they are executing NMI handlers, due to the fact that NMI handlers can contain RCU read-side critical sections. This reversal of roles can be quite confusing: you have been warned.

Line 5 of `rcu_nmi_enter()` obtains a pointer to this CPU's `rcu_dynticks` structure, and line 6 checks to see if this CPU is already under scrutiny by RCU, with line 7 silently returning if so. Otherwise, line 8 increments the `->dynticks_nmi` field, which must now have an odd-numbered value. Finally, line 9 executes a memory

```

1 void rcu_irq_enter(void)
2 {
3     struct rcu_dynticks *rdtp;
4
5     rdtp = &__get_cpu_var(rcu_dynticks);
6     if (rdtp->dynticks_nesting++)
7         return;
8     rdtp->dynticks++;
9     smp_mb();
10 }
11
12 void rcu_irq_exit(void)
13 {
14     struct rcu_dynticks *rdtp;
15
16     rdtp = &__get_cpu_var(rcu_dynticks);
17     if (--rdtp->dynticks_nesting)
18         return;
19     smp_mb();
20     rdtp->dynticks++;
21     if (__get_cpu_var(rcu_data).nxtlist ||
22         __get_cpu_var(rcu_bh_data).nxtlist)
23         set_need_resched();
24 }

```

Figure D.46: Interrupts from Dyntick-Idle Mode

barrier to ensure that the prior increment of `->dynticks_nmi` is seen by all CPUs to happen before any subsequent RCU read-side critical section.

Line 16 of `rcu_nmi_exit()` again fetches a pointer to this CPU's `rcu_dynticks` structure, and line 17 checks to see if RCU would be paying attention to this CPU even if it were not in an NMI, with line 18 silently returning if so. Otherwise, line 19 executes a memory barrier to ensure that any RCU read-side critical sections within the handler are seen by all CPUs to happen before the increment of the `->dynticks_nmi` field on line 20. The new value of this field must now be even.

**Quick Quiz D.51:** But how does the code in Figure D.45 handle nested NMIs? ■

### D.3.7.3 Interrupts from Dyntick-Idle Mode

Figure D.46 shows `rcu_irq_enter()` and `rcu_irq_exit()`, which handle interrupt entry and exit, respectively. As with NMIs, it is important to note that entering an interrupt handler exits dyntick-idle mode and vice versa, due to the fact that RCU read-side critical sections can appear in interrupt handlers.

Line 5 of `rcu_irq_enter()` once again acquires a reference to the current CPU's `rcu_dynticks` structure. Line 6 increments the `->dynticks_nesting` field, and if the original value was already non-zero (in other words, RCU was already paying attention to this CPU), line 7 silently returns. Otherwise, line 8 increments the `->dynticks` field, which then must have an odd-numbered value. Finally, line 9 executes a memory barrier so that this increment is seen by all CPUs as happening before any RCU read-side critical sections that might be in the interrupt handler.

Line 16 of `rcu_irq_exit()` does the by-now traditional acquisition of a reference to the currently running CPU's `rcu_dynticks` structure. Line 17 decrements the `->dynticks_nesting` field, and, if the result is non-zero (in other words, RCU must still pay attention to this CPU despite exiting this interrupt handler), then line 18 silently returns. Otherwise, line 19 executes a memory barrier so that any RCU read-side critical sections that might have been in the interrupt handler are seen by all CPUs as

```

1 static int
2 dyntick_save_progress_counter(struct rcu_data *rdp)
3 {
4     int ret;
5     int snap;
6     int snap_nmi;
7
8     snap = rdp->dynticks->dynticks;
9     snap_nmi = rdp->dynticks->dynticks_nmi;
10    smp_mb();
11    rdp->dynticks_snap = snap;
12    rdp->dynticks_nmi_snap = snap_nmi;
13    ret = ((snap & 0x1) == 0) && ((snap_nmi & 0x1) == 0);
14    if (ret)
15        rdp->dynticks_fqs++;
16    return ret;
17 }

```

Figure D.47: Code for `dyntick_save_progress_counter()`

having happened before the increment on line 20 of the `->dynticks` field (which must now have an even-numbered value). Lines 21 and 22 check to see if the interrupt handler posted any “rcu” or “rcu\_bh” callbacks, and, if so, line 23 forces this CPU to reschedule, which has the side-effect of forcing it out of dynticks-idle mode, as is required to allow RCU to handle the grace period required by these callbacks.

#### D.3.7.4 Checking for Dyntick-Idle Mode

The `dyntick_save_progress_counter()` and `rcu_implicit_dynticks_qs()` functions are used to check whether a CPU is in dynticks-idle mode. The `dyntick_save_progress_counter()` function is invoked first, and returns non-zero if the CPU is currently in dynticks-idle mode. If the CPU was not in dynticks-idle mode, for example, because it is currently handling an interrupt or NMI, then the `rcu_implicit_dynticks_qs()` function is called some jiffies later. This function looks at the current state in conjunction with state stored away by the earlier call to `dyntick_save_progress_counter()`, again returning non-zero if the CPU either is in dynticks-idle mode or was in dynticks-idle mode during the intervening time. The `rcu_implicit_dynticks_qs()` function may be invoked repeatedly, if need be, until it returns true.

Figure D.47 shows the code for `dyntick_save_progress_counter()`, which is passed a given CPU-rcu\_state pair’s `rcu_data` structure. Lines 8 and 9 take snapshots of the CPU’s `rcu_dynticks` structure’s `->dynticks` and `->dynticks_nmi` fields, and then line 10 executes a memory barrier to ensure that the snapshot is seen by all CPUs to have happened before any later processing depending on these values. This memory barrier pairs up with those in `rcu_enter_nohz()`, `rcu_exit_nohz()`, `rcu_nmi_enter()`, `rcu_nmi_exit()`, `rcu_irq_enter()`, and `rcu_irq_exit()`. Lines 11 and 12 store these two snapshots away so that they can be accessed by a later call to `rcu_implicit_dynticks_qs()`. Line 13 checks to see if both snapshots have even-numbered values, indicating that the CPU in question was in neither non-idle process state, an interrupt handler, nor an NMI handler. If so, lines 14 and 15 increment the statistical counter `->dynticks_fqs`, which is used only for tracing. Either way, line 16 returns the indication of whether the CPU was in dynticks-idle mode.

**Quick Quiz D.52:** Why isn’t there a memory barrier between lines 8 and 9 of

```

1 static int
2 rcu_implicit_dynticks_qs(struct rcu_data *rdp)
3 {
4     long curr;
5     long curr_nmi;
6     long snap;
7     long snap_nmi;
8
9     curr = rdp->dynticks->dynticks;
10    snap = rdp->dynticks_snap;
11    curr_nmi = rdp->dynticks->dynticks_nmi;
12    snap_nmi = rdp->dynticks_nmi_snap;
13    smp_mb();
14    if ((curr != snap || (curr & 0x1) == 0) &&
15        (curr_nmi != snap_nmi || (curr_nmi & 0x1) == 0)) {
16        rdp->dynticks_fqs++;
17        return 1;
18    }
19    return rcu_implicit_offline_qs(rdp);
20 }

```

Figure D.48: Code for `rcu_implicit_dynticks_qs()`

Figure D.47? Couldn't this cause the code to fetch even-numbered values from both the `->dynticks` and `->dynticks_nmi` fields, even though these two fields never were zero at the same time? ■

Figure D.48 shows the code for `rcu_implicit_dynticks_qs()`. Lines 9-12 pick up both new values for the CPU's `rcu_dynticks` structure's `->dynticks` and `->dynticks_nmi` fields, as well as the snapshots taken by the last call to `dyntick_save_progress_counter()`. Line 13 then executes a memory barrier to ensure that the values are seen by other CPUs to be gathered prior to subsequent RCU processing. As with `dyntick_save_progress_counter()`, this memory barrier pairs with those in `rcu_enter_nohz()`, `rcu_exit_nohz()`, `rcu_nmi_enter()`, `rcu_nmi_exit()`, `rcu_irq_enter()`, and `rcu_irq_exit()`. Lines 14-15 then check to make sure that this CPU is either currently in `dynticks-idle` mode (`(curr & 0x1) == 0` and `(curr_nmi & 0x1) == 0`) or has passed through `dynticks-idle` mode since the last call to `dyntick_save_progress_counter()` (`curr != snap` and `curr_nmi != snap_nmi`). If so, line 16 increments the `->dynticks_fqs` statistical counter (again, used only for tracing) and line 17 returns non-zero to indicate that the specified CPU has passed through a quiescent state. Otherwise, line 19 invokes `rcu_implicit_offline_qs()` (described in Section D.3.8) to check whether the specified CPU is currently offline.

### D.3.8 Forcing Quiescent States

Normally, CPUs pass through quiescent states which are duly recorded, so that grace periods end in a timely manner. However, any of the following three conditions can prevent CPUs from passing through quiescent states:

1. The CPU is in `dyntick-idle` state, and is sleeping in a low-power mode. Although such a CPU is officially in an extended quiescent state, because it is not executing instructions, it cannot do anything on its own.
2. The CPU is in the process of coming online, and RCU has been informed that it is online, but this CPU is not yet actually executing code, nor is it marked as

```

1 static void
2 dyntick_record_completed(struct rcu_state *rsp,
3                          long comp)
4 {
5     rsp->dynticks_completed = comp;
6 }
7
8 static long
9 dyntick_recall_completed(struct rcu_state *rsp)
10 {
11     return rsp->dynticks_completed;
12 }

```

Figure D.49: Recording and Recalling Dynticks-Idle Grace Period

online in `cpu_online_map`. The current grace period will therefore wait on it, but it cannot yet pass through quiescent states on its own.

3. The CPU is running user-level code, but has avoided entering the scheduler for an extended time period.

In each of these cases, RCU needs to take action on behalf of the non-responding CPU. The following sections describe the functions that take such action. Section D.3.8.1 describes the functions that record and recall the dynticks-idle grace-period number (in order to avoid incorrectly applying a dynticks-idle quiescent state to the wrong grace period), Section D.3.8.2 describes functions that detect offline and holdout CPUs, Section D.3.8.3 covers `rcu_process_dyntick()`, which scans for holdout CPUs, and Section D.3.8.4 describes `force_quiescent_state()`, which drives the process of detecting extended quiescent states and forcing quiescent states on holdout CPUs.

### D.3.8.1 Recording and Recalling Dynticks-Idle Grace Period

Figure D.49 shows the code for `dyntick_record_completed()` and `dyntick_recall_completed()`. These functions are defined as shown only if dynticks is enabled (in other words, the `CONFIG_NO_HZ` kernel parameter is selected), otherwise they are essentially no-ops. The purpose of these functions is to ensure that a given observation of a CPU in dynticks-idle mode is associated with the correct grace period in face of races between reporting this CPU in dynticks-idle mode and this CPU coming out of dynticks-idle mode and reporting a quiescent state on its own.

Lines 1-6 show `dyntick_record_completed()`, which stores the value specified by its `comp` argument into the specified `rcu_state` structure's `->dynticks_completed` field. Lines 8-12 show `dyntick_recall_completed()`, which returns the value stored by the most recent call to `dyntick_record_completed()` for this combination of CPU and `rcu_state` structure.

### D.3.8.2 Handling Offline and Holdout CPUs

Figure D.50 shows the code for `rcu_implicit_offline_qs()`, which checks for offline CPUs and forcing online holdout CPUs to enter a quiescent state.

Line 3 checks to see if the specified CPU is offline, and, if so, line 4 increments statistical counter `->offline_fqs` (which is used only for tracing), and line 5 returns non-zero to indicate that the CPU is in an extended quiescent state.

Otherwise, the CPU is online, not in dynticks-idle mode (or this function would not have been called in the first place), and has not yet passed through a quiescent state



```

1 static int rcu_implicit_offline_qs(struct rcu_data *rdp)
2 {
3     if (cpu_is_offline(rdp->cpu)) {
4         rdp->offline_fqs++;
5         return 1;
6     }
7     if (rdp->cpu != smp_processor_id())
8         smp_send_reschedule(rdp->cpu);
9     else
10        set_need_resched();
11    rdp->resched_ipi++;
12    return 0;
13 }

```

Figure D.50: Handling Offline and Holdout CPUs

for this grace period. Line 7 checks to see if the holdout CPU is the current running CPU, and, if not, line 8 sends the holdout CPU a reschedule IPI. Otherwise, line 10 sets the `TIF_NEED_RESCHED` flag for the current task, forcing the current CPU into the scheduler. In either case, the CPU should then quickly enter a quiescent state. Line 11 increments statistical counter `resched_ipi`, which is again used only for tracing. Finally, line 12 returns zero to indicate that the holdout CPU is still refusing to pass through a quiescent state.

### D.3.8.3 Scanning for Holdout CPUs

Figure D.51 shows the code for `rcu_process_dyntick()`, which scans the leaf `rcu_node` structures in search of holdout CPUs, as illustrated by the blue arrow in Figure D.52. It invokes the function passed in through argument `f` on each such CPU's `rcu_data` structure, and returns non-zero if the grace period specified by the `lastcomp` argument has ended.

Lines 13 and 14 acquire references to the first and the last leaf `rcu_node` structures, respectively. Each pass through the loop spanning lines 15-38 processes one of the leaf `rcu_node` structures.

Line 16 sets the local variable `mask` to zero. This variable will be used to accumulate the CPUs within the current leaf `rcu_node` structure that are in extended quiescent states, and can thus be reported as such. Line 17 acquires the current leaf `rcu_node` structure's lock, and line 18 checks to see if the current grace period has completed, and, if so, line 19 releases the lock and line 20 returns non-zero. Otherwise, line 22 checks for holdout CPUs associated with this `rcu_node` structure, and, if there are none, line 23 releases the lock and line 24 restarts the loop from the beginning on the next leaf `rcu_node` structure.

Execution reaches line 26 if there is at least one holdout CPU associated with this `rcu_node` structure. Lines 26 and 27 set local variables `cpu` and `bit` to reference the lowest-numbered CPU associated with this `rcu_node` structure. Each pass through the loop spanning lines 28-32 checks one of the CPUs associated with the current `rcu_node` structure. Line 29 checks to see if the this CPU is still holding out or if it has already passed through a quiescent state. If it is still a holdout, line 30 invokes the specified function (either `dyntick_save_progress_counter()` or `rcu_implicit_dynticks_qs()`, as specified by the caller), and if that function returns non-zero (indicating that the current CPU is in an extended quiescent state), then line 31 sets the current CPU's bit in `mask`.

Line 33 then checks to see if any CPUs were identified as being in extended quiescent

```

1 static int
2 rcu_process_dyntick(struct rcu_state *rsp,
3                     long lastcomp,
4                     int (*f)(struct rcu_data *))
5 {
6     unsigned long bit;
7     int cpu;
8     unsigned long flags;
9     unsigned long mask;
10    struct rcu_node *rnp_cur;
11    struct rcu_node *rnp_end;
12
13    rnp_cur = rsp->level[NUM_RCU_LVL - 1];
14    rnp_end = &rsp->node[NUM_RCU_NODES];
15    for (; rnp_cur < rnp_end; rnp_cur++) {
16        mask = 0;
17        spin_lock_irqsave(&rnp_cur->lock, flags);
18        if (rsp->completed != lastcomp) {
19            spin_unlock_irqrestore(&rnp_cur->lock, flags);
20            return 1;
21        }
22        if (rnp_cur->qsmask == 0) {
23            spin_unlock_irqrestore(&rnp_cur->lock, flags);
24            continue;
25        }
26        cpu = rnp_cur->grplo;
27        bit = 1;
28        for (; cpu <= rnp_cur->grphei; cpu++, bit <<= 1) {
29            if ((rnp_cur->qsmask & bit) != 0 &&
30                f(rsp->rda[cpu]))
31                mask |= bit;
32        }
33        if (mask != 0 && rsp->completed == lastcomp) {
34            cpu_quiet_msk(mask, rsp, rnp_cur, flags);
35            continue;
36        }
37        spin_unlock_irqrestore(&rnp_cur->lock, flags);
38    }
39    return 0;
40 }

```

Figure D.51: Scanning for Holdout CPUs

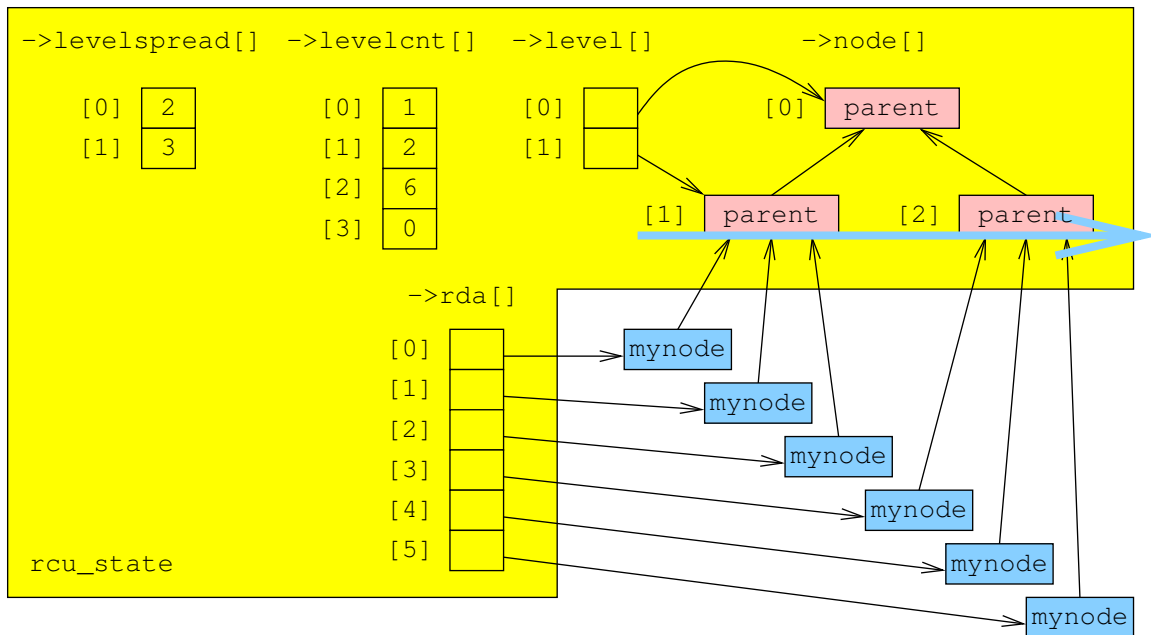


Figure D.52: Scanning Leaf `rcu_node` Structures

states and if the current grace period is still in force, and, if so, line 34 invokes `cpu_quiet_msk()` to report that the grace period need no longer wait for those CPUs and then line 35 restarts the loop with the next `rcu_node` structure. (Note that `cpu_quiet_msk()` releases the current `rcu_node` structure's lock, and might well end the current grace period.) Otherwise, if all holdout CPUs really are still holding out, line 37 releases the current `rcu_node` structure's lock.

Once all of the leaf `rcu_node` structures have been processed, the loop exits, and line 39 returns zero to indicate that the current grace period is still in full force. (Recall that line 20 returns non-zero should the current grace period come to an end.)

#### D.3.8.4 Code for `force_quiescent_state()`

Figure D.53 shows the code for `force_quiescent_state()` for `CONFIG_SMP`,<sup>4</sup> which is invoked when RCU feels the need to expedite the current grace period by forcing CPUs through quiescent states. RCU feels this need when either:

1. the current grace period has gone on for more than three jiffies (or as specified by the compile-time value of `RCU_JIFFIES_TILL_FORCE_QS`), or
2. a CPU enqueueing an RCU callback via either `call_rcu()` or `call_rcu_bh()` sees more than 10,000 callbacks enqueued (or as specified by the boot-time parameter `qhimark`).

Lines 10-12 check to see if there is a grace period in progress, silently exiting if not. Lines 13-16 attempt to acquire `->fqslck`, which prevents concurrent attempts to

<sup>4</sup> For non-`CONFIG_SMP`, `force_quiescent_state` is a simple wrapper around `set_need_resched()`.

```

1 static void
2 force_quiescent_state(struct rcu_state *rsp, int relaxed)
3 {
4     unsigned long flags;
5     long lastcomp;
6     struct rcu_data *rdp = rsp->rda[smp_processor_id()];
7     struct rcu_node *rnp = rcu_get_root(rsp);
8     u8 signaled;
9
10    if (ACCESS_ONCE(rsp->completed) ==
11        ACCESS_ONCE(rsp->gpnum))
12        return;
13    if (!spin_trylock_irqsave(&rsp->fqlock, flags)) {
14        rsp->n_force_qs_lh++;
15        return;
16    }
17    if (relaxed &&
18        (long)(rsp->jiffies_force_qs - jiffies) >= 0 &&
19        (rdp->n_rcu_pending_force_qs -
20         rdp->n_rcu_pending) >= 0)
21        goto unlock_ret;
22    rsp->n_force_qs++;
23    spin_lock(&rnp->lock);
24    lastcomp = rsp->completed;
25    signaled = rsp->signaled;
26    rsp->jiffies_force_qs =
27        jiffies + RCU_JIFFIES_TILL_FORCE_QS;
28    rdp->n_rcu_pending_force_qs =
29        rdp->n_rcu_pending +
30        RCU_JIFFIES_TILL_FORCE_QS;
31    if (lastcomp == rsp->gpnum) {
32        rsp->n_force_qs_ngp++;
33        spin_unlock(&rnp->lock);
34        goto unlock_ret;
35    }
36    spin_unlock(&rnp->lock);
37    switch (signaled) {
38    case RCU_GP_INIT:
39        break;
40    case RCU_SAVE_DYNTICK:
41        if (RCU_SIGNAL_INIT != RCU_SAVE_DYNTICK)
42            break;
43        if (rcu_process_dyntick(rsp, lastcomp,
44                                dyntick_save_progress_counter))
45            goto unlock_ret;
46        spin_lock(&rnp->lock);
47        if (lastcomp == rsp->completed) {
48            rsp->signaled = RCU_FORCE_QS;
49            dyntick_record_completed(rsp, lastcomp);
50        }
51        spin_unlock(&rnp->lock);
52        break;
53    case RCU_FORCE_QS:
54        if (rcu_process_dyntick(rsp,
55                                dyntick_recall_completed(rsp),
56                                rcu_implicit_dynticks_qs))
57            goto unlock_ret;
58        break;
59    }
60 unlock_ret:
61    spin_unlock_irqrestore(&rsp->fqlock, flags);
62 }

```

Figure D.53: force\_quiescent\_state () Code

expedite a grace period. The `->n_force_qs_lh` counter is incremented when this lock is already held, and is visible via the `fqlh=` field in the `rcuhier` debugfs file when the `CONFIG_RCU_TRACE` kernel parameter is enabled. Lines 17-21 check to see if it is really necessary to expedite the current grace period, in other words, if (1) the current CPU has 10,000 RCU callbacks waiting, or (2) at least three jiffies have passed since either the beginning of the current grace period or since the last attempt to expedite the current grace period, measured either by the `jiffies` counter or by the number of calls to `rcu_pending`. Line 22 then counts the number of attempts to expedite grace periods.

Lines 23-36 are executed with the root `rcu_node` structure's lock held in order to prevent confusion should the current grace period happen to end just as we try to expedite it. Lines 24 and 25 snapshot the `->completed` and `->signaled` fields, lines 26-30 set the soonest time that a subsequent non-relaxed `force_quiescent_state()` will be allowed to actually do any expediting, and lines 31-35 check to see if the grace period ended while we were acquiring the `rcu_node` structure's lock, releasing this lock and returning if so.

Lines 37-59 drive the `force_quiescent_state()` state machine. If the grace period is still in the midst of initialization, lines 41 and 42 simply return, allowing `force_quiescent_state()` to be called again at a later time, presumably after initialization has completed. If dynticks are enabled (via the `CONFIG_NO_HZ` kernel parameter), the first post-initialization call to `force_quiescent_state()` in a given grace period will execute lines 40-52, and the second and subsequent calls will execute lines 53-59. On the other hand, if dynticks is not enabled, then all post-initialization calls to `force_quiescent_state()` will execute lines 53-59.

The purpose of lines 40-52 is to record the current dynticks-idle state of all CPUs that have not yet passed through a quiescent state, and to record a quiescent state for any that are currently in dynticks-idle state (but not currently in an irq or NMI handler). Lines 41-42 serve to inform gcc that this branch of the switch statement is dead code for non-`CONFIG_NO_HZ` kernels. Lines 43-45 invoke `rcu_process_dyntick()` in order to invoke `dyntick_save_progress_counter()` for each CPU that has not yet passed through a quiescent state for the current grace period, exiting `force_quiescent_state()` if the grace period ends in the meantime (possibly due to having found that all the CPUs that had not yet passed through a quiescent state were sleeping in dyntick-idle mode). Lines 46 and 51 acquire and release the root `rcu_node` structure's lock, again to avoid possible confusion with a concurrent end of the current grace period. Line 47 checks to see if the current grace period is still in force, and, if so, line 48 advances the state machine to the `RCU_FORCE_QS` state and line 49 saves the current grace-period number for the benefit of the next invocation of `force_quiescent_state()`. The reason for saving the current grace-period number is to correctly handle race conditions involving the current grace period ending concurrently with the next invocation of `force_quiescent_state()`.

As noted earlier, lines 53-58 handle the second and subsequent invocations of `force_quiescent_state()` in `CONFIG_NO_HZ` kernels, and *all* invocations in non-`CONFIG_NO_HZ` kernels. Lines 54 and 58 invoke `rcu_process_dyntick()`, which cycles through the CPUs that have still not passed through a quiescent state, invoking `rcu_implicit_dynticks_qs()` on them, which in turn checks to see if any of these CPUs have passed through dyntick-idle state (if `CONFIG_NO_HZ` is enabled), checks to see if we are waiting on any offline CPUs, and finally sends a reschedule IPI to any remaining CPUs not in the first two groups.

```

1 static void
2 record_gp_stall_check_time(struct rcu_state *rsp)
3 {
4     rsp->gp_start = jiffies;
5     rsp->jiffies_stall =
6         jiffies + RCU_SECONDS_TILL_STALL_CHECK;
7 }

```

Figure D.54: record\_gp\_stall\_check\_time() Code

```

1 static void
2 check_cpu_stall(struct rcu_state *rsp,
3                 struct rcu_data *rdp)
4 {
5     long delta;
6     struct rcu_node *rnp;
7
8     delta = jiffies - rsp->jiffies_stall;
9     rnp = rdp->mynode;
10    if ((rnp->qsmask & rdp->grpmask) && delta >= 0) {
11        print_cpu_stall(rsp);
12    } else if (rsp->gpnum != rsp->completed &&
13              delta >= RCU_STALL_RAT_DELAY) {
14        print_other_cpu_stall(rsp);
15    }
16 }

```

Figure D.55: check\_cpu\_stall() Code

### D.3.9 CPU-Stall Detection

RCU checks for stalled CPUs when the `CONFIG_RCU_CPU_STALL_DETECTOR` kernel parameter is selected. “Stalled CPUs” are those spinning in the kernel with preemption disabled, which degrades response time. These checks are implemented via the `record_gp_stall_check_time()`, `check_cpu_stall()`, `print_cpu_stall()`, and `print_other_cpu_stall()` functions, each of which is described below. All of these functions are no-ops when the `CONFIG_RCU_CPU_STALL_DETECTOR` kernel parameter is not selected.

Figure D.54 shows the code for `record_gp_stall_check_time()`. Line 4 records the current time (of the start of the grace period) in jiffies, and lines 5-6 record the time at which CPU stalls should be checked for, should the grace period run on that long.

Figure D.55 shows the code for `check_cpu_stall`, which checks to see if the grace period has stretched on too long, invoking either `print_cpu_stall()` or `print_other_cpu_stall()` in order to print a CPU-stall warning message if so.

Line 8 computes the number of jiffies since the time at which stall warnings should be printed, which will be negative if it is not yet time to print warnings. Line 9 obtains a pointer to the leaf `rcu_node` structure corresponding to the current CPU, and line 10 checks to see if the current CPU has not yet passed through a quiescent state and if the grace period has extended too long (in other words, if the current CPU is stalled), with line 11 invoking `print_cpu_stall()` if so.

Otherwise, lines 12-13 check to see if the grace period is still in effect and if it has extended a couple of jiffies past the CPU-stall warning duration, with line 14 invoking `print_other_cpu_stall()` if so.

**Quick Quiz D.53:** Why wait the extra couple jiffies on lines 12-13 in Figure D.55?



```

1 static void print_cpu_stall(struct rcu_state *rsp)
2 {
3     unsigned long flags;
4     struct rcu_node *rnp = rcu_get_root(rsp);
5
6     printk(KERN_ERR
7            "INFO: RCU detected CPU %d stall "
8            "(t=%lu jiffies)\n",
9            smp_processor_id(),
10           jiffies - rsp->gp_start);
11     dump_stack();
12     spin_lock_irqsave(&rnp->lock, flags);
13     if ((long)(jiffies - rsp->jiffies_stall) >= 0)
14         rsp->jiffies_stall =
15             jiffies + RCU_SECONDS_TILL_STALL_RECHECK;
16     spin_unlock_irqrestore(&rnp->lock, flags);
17     set_need_resched();
18 }

```

Figure D.56: `print_cpu_stall()` Code

Figure D.56 shows the code for `print_cpu_stall()`.

Line 6-11 prints a console message and dumps the current CPU's stack, while lines 12-17 compute the time to the next CPU stall warning, should the grace period stretch on that much additional time.

**Quick Quiz D.54:** What prevents the grace period from ending before the stall warning is printed in Figure D.56? ■

Figure D.57 shows the code for `print_other_cpu_stall()`, which prints out stall warnings for CPUs other than the currently running CPU.

Lines 10 and 11 pick up references to the first leaf `rcu_node` structure and one past the last leaf `rcu_node` structure, respectively. Line 12 acquires the root `rcu_node` structure's lock, and also disables interrupts. Line 13 calculates the how long ago the CPU-stall warning time occurred (which will be negative if it has not yet occurred), and lines 14 and 15 check to see if the CPU-stall warning time has passed and if the grace period has not yet ended, with line 16 releasing the lock (and re-enabling interrupts) and line 17 returning if so.

**Quick Quiz D.55:** Why does `print_other_cpu_stall()` in Figure D.57 need to check for the grace period ending when `print_cpu_stall()` did not? ■

Otherwise, lines 19 and 20 compute the next time that CPU stall warnings should be printed (if the grace period extends that long) and line 21 releases the lock and re-enables interrupts. Lines 23-33 print a list of the stalled CPUs, and, finally, line 34 invokes `force_quiescent_state()` in order to nudge the offending CPUs into passing through a quiescent state.

### D.3.10 Possible Flaws and Changes

The biggest possible issue with Hierarchical RCU put forward as of this writing is the fact that `force_quiescent_state()` involves a potential walk through all CPUs' `rcu_data` structures. On a machine with thousands of CPUs, this could potentially represent an excessive impact on scheduling latency, given that this scan is conducted with interrupts disabled.

Should this become a problem in real life, one fix is to maintain separate `force_quiescent_state()` sequencing on a per-leaf-`rcu_node` basis as well as the current per-`rcu_state` `->signaled` state variable. This would allow incremental

```

1 static void print_other_cpu_stall(struct rcu_state *rsp)
2 {
3     int cpu;
4     long delta;
5     unsigned long flags;
6     struct rcu_node *rnp = rcu_get_root(rsp);
7     struct rcu_node *rnp_cur;
8     struct rcu_node *rnp_end;
9
10    rnp_cur = rsp->level[NUM_RCU_LVL - 1];
11    rnp_end = &rsp->node[NUM_RCU_NODES];
12    spin_lock_irqsave(&rnp->lock, flags);
13    delta = jiffies - rsp->jiffies_stall;
14    if (delta < RCU_STALL_RAT_DELAY ||
15        rsp->gpnnum == rsp->completed) {
16        spin_unlock_irqrestore(&rnp->lock, flags);
17        return;
18    }
19    rsp->jiffies_stall = jiffies +
20        RCU_SECONDS_TILL_STALL_RECHECK;
21    spin_unlock_irqrestore(&rnp->lock, flags);
22    printk(KERN_ERR "INFO: RCU detected CPU stalls:");
23    for (; rnp_cur < rnp_end; rnp_cur++) {
24        if (rnp_cur->qsmask == 0)
25            continue;
26        cpu = 0;
27        for (; cpu <= rnp_cur->grpri - rnp_cur->grplo; cpu++)
28            if (rnp_cur->qsmask & (1UL << cpu))
29                printk(" %d", rnp_cur->grplo + cpu);
30    }
31    printk(" (detected by %d, t=%ld jiffies)\n",
32        smp_processor_id(),
33        (long)(jiffies - rsp->gp_start));
34    force_quiescent_state(rsp, 0);
35 }

```

Figure D.57: print\_other\_cpu\_stall() Code



forcing of quiescent states on a per-leaf-`rcu_node` basis, greatly reducing the worst-case degradation of scheduling latency.

In the meantime, those caring deeply about scheduling latency can limit the number of CPUs in the system or use the preemptible RCU implementation.

## D.4 Preemptible RCU

The preemptible RCU implementation is unusual in that it permits read-side critical sections to be preempted and to be blocked waiting for locks. However, it does not handle general blocking (for example, via the `wait_event()` primitive): if you need that, you should instead use SRCU, which is described in Appendix D.1. In contrast to SRCU, preemptible RCU only permits blocking within primitives that are both subject to priority inheritance and non-blocking in a non-`CONFIG_PREEMPT` kernel. This ability to acquire blocking locks and to be preempted within RCU read-side critical sections is required for the aggressive real-time capabilities provided by Ingo Molnar's `-rt` patchset. However, the initial preemptible RCU implementation [McK05c] had some limitations, including:

1. Its read-side primitives cannot be called from within non-maskable interrupt (NMI) or systems-management interrupt handlers.
2. Its read-side primitives use both atomic instructions and memory barriers, both of which have excessive overhead.
3. It does no priority boosting of RCU read-side critical sections [McK07d].

The new preemptible RCU implementation that accepted into the 2.6.26 Linux kernel removes these limitations, and this appendix describes its design, serving as an update to the LWN article [McK07a]. However, please note that this implementation was replaced with a faster and simpler implementation in the 2.6.32 Linux kernel. This description nevertheless remains to bear witness to the most complex RCU implementation ever devised.

**Quick Quiz D.56:** Why is it important that blocking primitives called from within a preemptible-RCU read-side critical section be subject to priority inheritance? ■

**Quick Quiz D.57:** Could the prohibition against using primitives that would block in a non-`CONFIG_PREEMPT` kernel be lifted, and if so, under what conditions? ■

### D.4.1 Conceptual RCU

Understanding and validating an RCU implementation is much easier given a view of RCU at the lowest possible level. This section gives a very brief overview of the most basic concurrency requirements that an RCU implementation must support. For more detail, please see Section 9.3.2.

RCU implementations must obey the following rule: if any statement in a given RCU read-side critical section precedes a grace period, then all statements in that RCU read-side critical section must complete before that grace period ends.

This is illustrated by Figure D.58, where time advances from left to right. The red “Removal” box represents the update-side critical section that modifies the RCU-protected data structure, for example, via `list_del_rcu()`; the large yellow “Grace

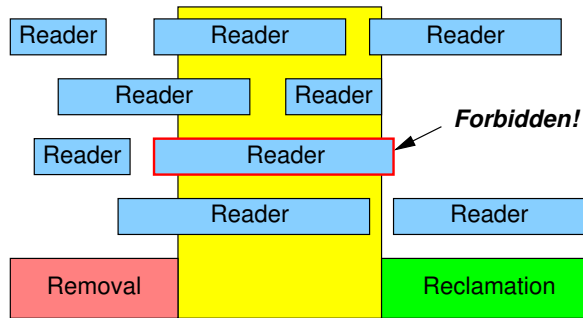


Figure D.58: Buggy Grace Period From Broken RCU

Period” box represents a grace period (surprise!) which might be invoked via `synchronize_rcu()`, and the green “Reclamation” box represents freeing the affected data element, perhaps via `kfree()`. The blue “Reader” boxes each represent an RCU read-side critical section, for example, beginning with `rcu_read_lock()` and ending with `rcu_read_unlock()`. The red-rimmed “Reader” box is an example of an illegal situation: any so-called RCU implementation that permits a read-side critical section to completely overlap a grace period is buggy, since the updater might free up memory that this reader is still using.

So, what is the poor RCU implementation to do in this situation?

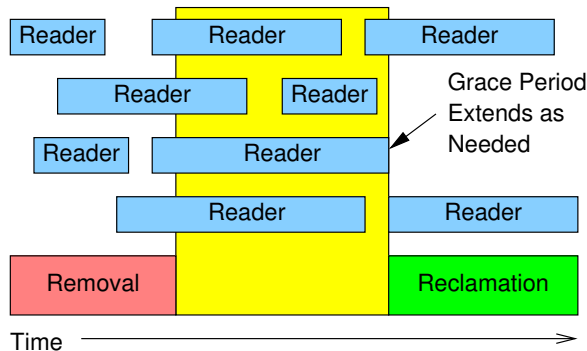


Figure D.59: Good Grace Period From Correct RCU

It must extend the grace period, perhaps as shown in Figure D.59. In short, the RCU implementation must ensure that any RCU read-side critical sections in progress at the start of a given grace period have completely finished, memory operations and all, before that grace period is permitted to complete. This fact allows RCU validation to be extremely focused: simply demonstrate that any RCU read-side critical section in progress at the beginning of a grace period must terminate before that grace period ends, along with sufficient barriers to prevent either the compiler or the CPU from undoing the RCU implementation’s work.

## D.4.2 Overview of Preemptible RCU Algorithm

This section focuses on a specific implementation of preemptible RCU. Many other implementations are possible, and are described elsewhere [MSMB06, MS05]. This article focuses on this specific implementation's general approach, the data structures, the grace-period state machine, and a walk through the read-side primitives.

### D.4.2.1 General Approach

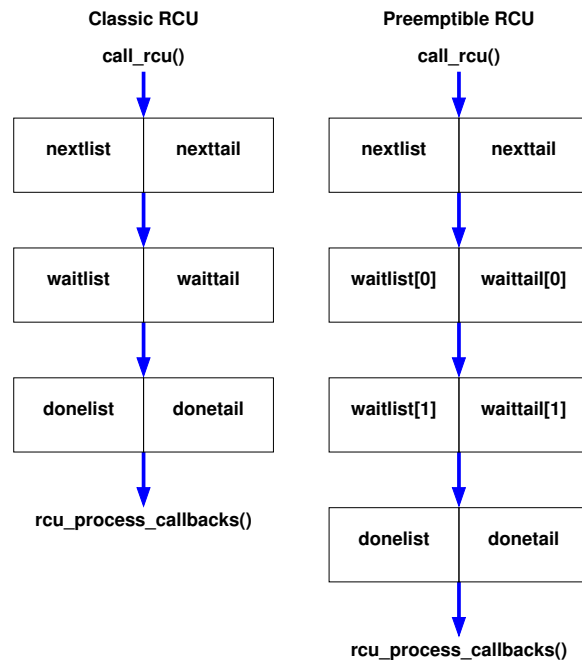


Figure D.60: Classic vs. Preemptible RCU Callback Processing

Because this implementation of preemptible RCU does not require memory barriers in `rcu_read_lock()` and `rcu_read_unlock()`, a multi-stage grace-period detection algorithm is required. Instead of using a single `wait` queue of callbacks (which has sufficed for earlier RCU implementations), this implementation uses an array of `wait` queues, so that RCU callbacks are enqueued on each element of this array in turn. This difference in callback flow is shown in Figure D.60 for a preemptible RCU implementation with two waitlist stages per grace period (in contrast, the September 10 2007 patch to `-rt` [McK07c] uses four waitlist stages).

Given two stages per grace period, any pair of stages forms a full grace period. Similarly, in an implementation with four stages per grace period, any sequence of four stages would form a full grace period.

To determine when a grace-period stage can end, preemptible RCU uses a per-CPU two-element `rcu_flipctr` array that tracks in-progress RCU read-side critical sections. One element of a given CPU's `rcu_flipctr` array tracks old RCU read-side critical sections, in other words, critical sections that started before the current grace-period stage. The other element tracks new RCU read-side critical sections, namely

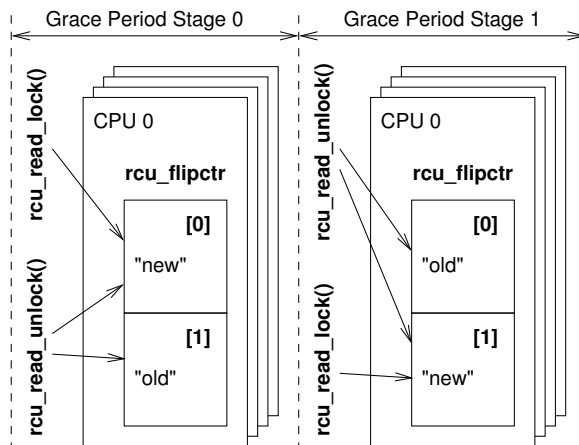


Figure D.61: Preemptible RCU Counter Flip Operation

those starting during the current grace-period stage. The array elements switch roles at the beginning of each new grace-period stage, as shown in Figure D.61.

During the first stage on the left-hand side of the above figure, `rcu_flipctr[0]` tracks the new RCU read-side critical sections, and is therefore incremented by `rcu_read_lock()` and decremented by `rcu_read_unlock()`. Similarly, `rcu_flipctr[1]` tracks the old RCU read-side critical sections (those that started during earlier stages), and is therefore decremented by `rcu_read_unlock()` and never incremented at all.

Because each CPU's old `rcu_flipctr[1]` elements are never incremented, their sum across all CPUs must eventually go to zero, although preemption in the midst of an RCU read-side critical section might cause any individual counter to remain non-zero or even to go negative. For example, suppose that a task calls `rcu_read_lock()` on one CPU, is preempted, resumes on another CPU, and then calls `rcu_read_unlock()`. The first CPU's counter will then be +1 and the second CPU's counter will be -1, however, they will still sum to zero. Regardless of possible preemption, when the sum of the old counter elements does go to zero, it is safe to move to the next grace-period stage, as shown on the right-hand side of the above figure.

In this second stage, the elements of each CPU's `rcu_flipctr` counter array switch roles. The `rcu_flipctr[0]` counter now tracks the old RCU read-side critical sections, in other words, the ones that started during grace period stage 0. Similarly, the `rcu_flipctr[1]` counter now tracks the new RCU read-side critical sections that start in grace period stage 1. Therefore, `rcu_read_lock()` now increments `rcu_flipctr[1]`, while `rcu_read_unlock()` still might decrement either counter. Specifically, if the matching `rcu_read_lock()` executed during grace-period stage 0 (the old stage at this point), then `rcu_read_unlock()` must decrement `rcu_flipctr[0]`, but if the matching `rcu_read_lock()` executed during grace-period stage 1 (the new stage), then `rcu_read_unlock()` must instead decrement `rcu_flipctr[1]`.

The critical point is that all `rcu_flipctr` elements tracking the old RCU read-side critical sections must strictly decrease. Therefore, once the sum of these old counters reaches zero, it cannot change.

The `rcu_read_lock()` primitive uses the bottom bit of the current grace-period

counter(`rcu_ctrlblk.completed & 0x1`) to index the `rcu_flipctr` array, and records this index in the task structure. The matching `rcu_read_unlock()` uses this recorded value to ensure that it decrements a counter corresponding to the one that the matching `rcu_read_lock()` incremented. Of course, if the RCU read-side critical section has been preempted, `rcu_read_unlock()` might be decrementing the counter belonging to a different CPU than the one whose counter was incremented by the matching `rcu_read_lock()`.

Each CPU also maintains `rcu_flip_flag` and `rcu_mb_flag` per-CPU variables. The `rcu_flip_flag` variable is used to synchronize the start of each grace-period stage: once a given CPU has responded to its `rcu_flip_flag`, it must refrain from incrementing the `rcu_flip` array element that now corresponds to the old grace-period stage. The CPU that advances the counter (`rcu_ctrlblk.completed`) changes the value of each CPU's `rcu_mb_flag` to `rcu_flipped`, but a given `rcu_mb_flag` may be changed back to `rcu_flip_seen` only by the corresponding CPU.

The `rcu_mb_flag` variable is used to force each CPU to execute a memory barrier at the end of each grace-period stage. These memory barriers are required to ensure that memory accesses from RCU read-side critical sections ending in a given grace-period stage are ordered before the end of that stage. This approach gains the benefits memory barriers at the beginning and end of each RCU read-side critical section without having to actually execute all those costly barriers. The `rcu_mb_flag` is set to `rcu_mb_needed` by the CPU that detects that the sum of the old counters is zero, but a given `rcu_mb_flag` is changed back to `rcu_mb_done` only by the corresponding CPU, and even then only after executing a memory barrier.

#### D.4.2.2 Data Structures

This section describes preemptible RCU's major data structures, including `rcu_ctrlblk`, `rcu_data`, `rcu_flipctr`, `rcu_try_flip_state`, `rcu_try_flip_flag`, and `rcu_mb_flag`.

`rcu_ctrlblk` The `rcu_ctrlblk` structure is global, and holds the lock that protects grace-period processing (`fliplock`) as well as holding the global grace-period counter (`completed`). The least-significant bit of `completed` is used by `rcu_read_lock()` to select which set of counters to increment.

`rcu_data` The `rcu_data` structure is a per-CPU structure, and contains the following fields:

- `lock` guards the remaining fields in this structure.
- `completed` is used to synchronize CPU-local activity with the global counter in `rcu_ctrlblk`.
- `waitlistcount` is used to maintain a count of the number of non-empty waitlists. This field is used by `rcu_pending()` to help determine if this CPU has any RCU-related work left to be done.
- `nextlist`, `nexttail`, `waitlist`, `waittail`, `donelist`, and `donetail` form lists containing RCU callbacks that are waiting for invocation at the end of

a grace period. Each list has a tail pointer, allowing  $O(1)$  appends. The RCU callbacks flow through these lists as shown below.

- `rcupreempt_trace` accumulates statistics.

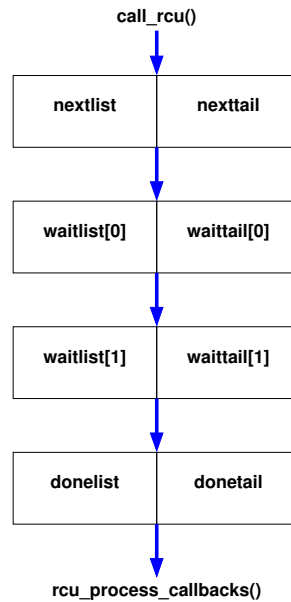


Figure D.62: Preemptible RCU Callback Flow

Figure D.62 shows how RCU callbacks flow through a given `rcu_data` structure’s lists, from creation by `call_rcu()` through invocation by `rcu_process_callbacks()`. Each blue arrow represents one pass by the grace-period state machine, which is described in a later section.

`rcu_flipctr` As noted earlier, the `rcu_flipctr` per-CPU array of counters contains the counter pairs that track outstanding RCU read-side critical sections. Any given counter in this array can go negative, for example, when a task is migrated to a different CPU in the middle of an RCU read-side critical section. However, the sum of the counters will still remain positive throughout the corresponding grace period, and will furthermore go to zero at the end of that grace period.

`rcu_try_flip_state` The `rcu_try_flip_state` variable tracks the current state of the grace-period state machine, as described in the next section.

`rcu_try_flip_flag` The `rcu_try_flip_flag` per-CPU variable alerts the corresponding CPU that the grace-period counter has recently been incremented, and also records that CPU’s acknowledgment. Once a given CPU has acknowledged the counter flip, all subsequent actions taken by `rcu_read_lock()` on that CPU must account for the new value of the grace-period counter, in particular, when incrementing `rcu_flipctr` in `rcu_read_lock()`.

`rcu_mb_flag` The `rcu_mb_flag` per-CPU variable alerts the corresponding CPU that it must execute a memory barrier in order for the grace-period state machine to proceed, and also records that CPU's acknowledgment. Once a given CPU has executed its memory barrier, the memory operations of all prior RCU read-side critical will be visible to any code sequenced after the corresponding grace period.

### D.4.2.3 Grace-Period State Machine

This section gives an overview of the states executed by the grace-period state machine, and then walks through the relevant code.

**Grace-Period State Machine Overview** The state (recorded in `rcu_try_flip_state`) can take on the following values:

- `rcu_try_flip_idle_state`: the grace-period state machine is idle due to there being no RCU grace-period activity. The `rcu_ctrlblk.completed` grace-period counter is incremented upon exit from this state, and all of the per-CPU `rcu_flip_flag` variables are set to `rcu_flipped`.
- `rcu_try_flip_waitack_state`: waiting for all CPUs to acknowledge that they have seen the previous state's increment, which they do by setting their `rcu_flip_flag` variables to `rcu_flip_seen`. Once all CPUs have so acknowledged, we know that the old set of counters can no longer be incremented.
- `rcu_try_flip_waitzero_state`: waiting for the old counters to sum to zero. Once the counters sum to zero, all of the per-CPU `rcu_mb_flag` variables are set to `rcu_mb_needed`.
- `rcu_try_flip_waitmb_state`: waiting for all CPUs to execute a memory-barrier instruction, which they signify by setting their `rcu_mb_flag` variables to `rcu_mb_done`. Once all CPUs have done so, all CPUs are guaranteed to see the changes made by any RCU read-side critical section that started before the beginning of the corresponding grace period, even on weakly ordered machines.

The grace period state machine cycles through these states sequentially, as shown in Figure D.63.

Figure D.64 shows how the state machine operates over time. The states are shown along the figure's left-hand side and the relevant events are shown along the timeline, with time proceeding in the downward direction. We will elaborate on this figure when we validate the algorithm in a later section.

In the meantime, here are some important things to note:

1. The increment of the `rcu_ctrlblk.completed` counter might be observed at different times by different CPUs, as indicated by the blue oval. However, after a given CPU has acknowledged the increment, it is required to use the new counter. Therefore, once all CPUs have acknowledged, the old counter can only be decremented.
2. A given CPU advances its callback lists just before acknowledging the counter increment.

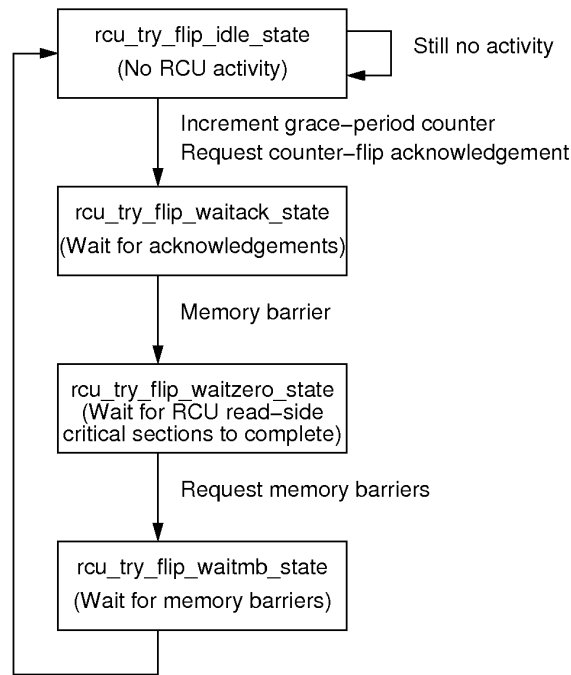


Figure D.63: Preemptible RCU State Machine

3. The blue oval represents the fact that memory reordering might cause different CPUs to see the increment at different times. This means that a given CPU might believe that some other CPU has jumped the gun, using the new value of the counter before the counter was actually incremented. In fact, in theory, a given CPU might see the next increment of the `rcu_ctrlblk.completed` counter as early as the last preceding memory barrier. (Note well that this sentence is very imprecise. If you intend to do correctness proofs involving memory barriers, please see Appendix D.4.3.3.
4. Because `rcu_read_lock()` does not contain any memory barriers, the corresponding RCU read-side critical sections might be reordered by the CPU to follow the `rcu_read_unlock()`. Therefore, the memory barriers are required to ensure that the actions of the RCU read-side critical sections have in fact completed.
5. As we will see, the fact that different CPUs can see the counter flip happening at different times means that a single trip through the state machine is not sufficient for a grace period: multiple trips are required.

**Grace-Period State Machine Walkthrough** This section walks through the C code that implements the RCU grace-period state machine, which is invoked from the scheduling-clock interrupt, which invokes `rcu_check_callbacks()` with irqs (and thus also preemption) disabled. This function is implemented as shown in Figure D.65. Line 4 selects the `rcu_data` structure corresponding to the current CPU, and line 6 checks to see if this CPU needs to execute a memory barrier to advance the state machine out of the `rcu_try_flip_waitmb_state` state. Line 7 checks to



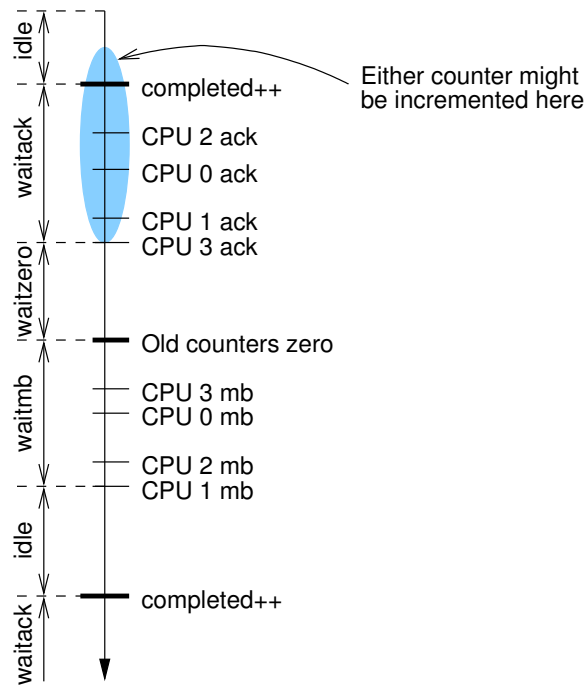


Figure D.64: Preemptible RCU State Machine Timeline

```

1 void rcu_check_callbacks(int cpu, int user)
2 {
3     unsigned long flags;
4     struct rcu_data *rdp = RCU_DATA_CPU(cpu);
5
6     rcu_check_mb(cpu);
7     if (rcu_ctrlblk.completed == rdp->completed)
8         rcu_try_flip();
9     spin_lock_irqsave(&rdp->lock, flags);
10    RCU_TRACE_RDP(rcupreempt_trace_check_callbacks, rdp);
11    __rcu_advance_callbacks(rdp);
12    spin_unlock_irqrestore(&rdp->lock, flags);
13 }

```

Figure D.65: `rcu_check_callbacks()` Implementation

see if this CPU is already aware of the current grace-period stage number, and line 8 attempts to advance the state machine if so. Lines 9 and 12 hold the `rcu_data`'s lock, and line 11 advances callbacks if appropriate. Line 10 updates RCU tracing statistics, if enabled via `CONFIG_RCU_TRACE`.

The `rcu_check_mb()` function executes a memory barrier as needed as shown in Figure D.66. Line 3 checks to see if this CPU needs to execute a memory barrier, and, if so, line 4 executes one and line 5 informs the state machine. Note that this memory barrier ensures that any CPU that sees the new value of `rcu_mb_flag` will also see the memory operations executed by this CPU in any prior RCU read-side critical section.

The `rcu_try_flip()` function implements the top level of the RCU grace-period state machine, as shown in Figure D.67. Line 6 attempts to acquire the global RCU

```

1 static void rcu_check_mb(int cpu)
2 {
3     if (per_cpu(rcu_mb_flag, cpu) == rcu_mb_needed) {
4         smp_mb();
5         per_cpu(rcu_mb_flag, cpu) = rcu_mb_done;
6     }
7 }

```

Figure D.66: rcu\_check\_mb() Implementation

```

1 static void rcu_try_flip(void)
2 {
3     unsigned long flags;
4
5     RCU_TRACE_ME(rcupreempt_trace_try_flip_1);
6     if (!spin_trylock_irqsave(&rcu_ctrlblk.fliplock, flags)) {
7         RCU_TRACE_ME(rcupreempt_trace_try_flip_e1);
8         return;
9     }
10    switch (rcu_try_flip_state) {
11    case rcu_try_flip_idle_state:
12        if (rcu_try_flip_idle())
13            rcu_try_flip_state = rcu_try_flip_waitack_state;
14        break;
15    case rcu_try_flip_waitack_state:
16        if (rcu_try_flip_waitack())
17            rcu_try_flip_state = rcu_try_flip_waitzero_state;
18        break;
19    case rcu_try_flip_waitzero_state:
20        if (rcu_try_flip_waitzero())
21            rcu_try_flip_state = rcu_try_flip_waitmb_state;
22        break;
23    case rcu_try_flip_waitmb_state:
24        if (rcu_try_flip_waitmb())
25            rcu_try_flip_state = rcu_try_flip_idle_state;
26    }
27    spin_unlock_irqrestore(&rcu_ctrlblk.fliplock, flags);
28 }

```

Figure D.67: rcu\_try\_flip() Implementation

```

1 static int rcu_try_flip_idle(void)
2 {
3     int cpu;
4
5     RCU_TRACE_ME(rcupreempt_trace_try_flip_il);
6     if (!rcu_pending(smp_processor_id())) {
7         RCU_TRACE_ME(rcupreempt_trace_try_flip_ie1);
8         return 0;
9     }
10    RCU_TRACE_ME(rcupreempt_trace_try_flip_gl);
11    rcu_ctrlblk.completed++;
12    smp_mb();
13    for_each_cpu_mask(cpu, rcu_cpu_online_map)
14        per_cpu(rcu_flip_flag, cpu) = rcu_flipped;
15    return 1;
16 }

```

Figure D.68: `rcu_try_flip_idle()` Implementation

```

1 static int rcu_try_flip_waitack(void)
2 {
3     int cpu;
4
5     RCU_TRACE_ME(rcupreempt_trace_try_flip_al);
6     for_each_cpu_mask(cpu, rcu_cpu_online_map)
7         if (per_cpu(rcu_flip_flag, cpu) != rcu_flip_seen) {
8             RCU_TRACE_ME(rcupreempt_trace_try_flip_ae1);
9             return 0;
10        }
11    smp_mb();
12    RCU_TRACE_ME(rcupreempt_trace_try_flip_a2);
13    return 1;
14 }

```

Figure D.69: `rcu_try_flip_waitack()` Implementation

state-machine lock, and returns if unsuccessful. Lines 5 and 7 accumulate RCU-tracing statistics (again, if `CONFIG_RCU_TRACE` is enabled). Lines 10 through 26 execute the state machine, each invoking a function specific to that state. Each such function returns 1 if the state needs to be advanced and 0 otherwise. In principle, the next state could be executed immediately, but in practice we choose not to do so in order to reduce latency. Finally, line 27 releases the global RCU state-machine lock that was acquired by line 6.

The `rcu_try_flip_idle()` function is called when the RCU grace-period state machine is idle, and is thus responsible for getting it started when needed. Its code is shown in Figure D.68. Line 6 checks to see if there is any RCU grace-period work pending for this CPU, and if not, line 8 leaves, telling the top-level state machine to remain in the idle state. If instead there is work to do, line 11 increments the grace-period stage counter, line 12 does a memory barrier to ensure that CPUs see the new counter before they see the request to acknowledge it, and lines 13 and 14 set all of the online CPUs' `rcu_flip_flag`. Finally, line 15 tells the top-level state machine to advance to the next state.

The `rcu_try_flip_waitack()` function, shown in Figure D.69, checks to see if all online CPUs have acknowledged the counter flip (AKA “increment”, but called “flip” because the bottom bit, which `rcu_read_lock()` uses to index the `rcu_flipctr` array, *does* flip). If they have, it tells the top-level grace-period state machine to move to the next state.

Line 6 cycles through all of the online CPUs, and line 7 checks to see if the current such CPU has acknowledged the last counter flip. If not, line 9 tells the top-level

```

1 static int rcu_try_flip_waitzero(void)
2 {
3     int cpu;
4     int lastidx = !(rcu_ctrlblk.completed & 0x1);
5     int sum = 0;
6
7     RCU_TRACE_ME(rcupreempt_trace_try_flip_z1);
8     for_each_possible_cpu(cpu)
9         sum += per_cpu(rcu_flipctr, cpu)[lastidx];
10    if (sum != 0) {
11        RCU_TRACE_ME(rcupreempt_trace_try_flip_zel);
12        return 0;
13    }
14    smp_mb();
15    for_each_cpu_mask(cpu, rcu_cpu_online_map)
16        per_cpu(rcu_mb_flag, cpu) = rcu_mb_needed;
17    RCU_TRACE_ME(rcupreempt_trace_try_flip_z2);
18    return 1;
19 }

```

Figure D.70: `rcu_try_flip_waitzero()` Implementation

```

1 static int rcu_try_flip_waitmb(void)
2 {
3     int cpu;
4
5     RCU_TRACE_ME(rcupreempt_trace_try_flip_m1);
6     for_each_cpu_mask(cpu, rcu_cpu_online_map)
7         if (per_cpu(rcu_mb_flag, cpu) != rcu_mb_done) {
8             RCU_TRACE_ME(rcupreempt_trace_try_flip_me1);
9             return 0;
10        }
11    smp_mb();
12    RCU_TRACE_ME(rcupreempt_trace_try_flip_m2);
13    return 1;
14 }

```

Figure D.71: `rcu_try_flip_waitmb()` Implementation

grace-period state machine to remain in this state. Otherwise, if all online CPUs have acknowledged, then line 11 does a memory barrier to ensure that we don't check for zeroes before the last CPU acknowledges. This may seem dubious, but CPU designers have sometimes done strange things. Finally, line 13 tells the top-level grace-period state machine to advance to the next state.

The `rcu_try_flip_waitzero()` function, shown in Figure D.70, checks to see if all pre-existing RCU read-side critical sections have completed, telling the state machine to advance if so. Lines 8 and 9 sum the counters, and line 10 checks to see if the result is zero, and, if not, line 12 tells the state machine to stay right where it is. Otherwise, line 14 executes a memory barrier to ensure that no CPU sees the subsequent call for a memory barrier before it has exited its last RCU read-side critical section. This possibility might seem remote, but again, CPU designers have done stranger things, and besides, this is anything but a fastpath. Lines 15 and 16 set all online CPUs' `rcu_mb_flag` variables, and line 18 tells the state machine to advance to the next state.

The `rcu_try_flip_waitmb()` function, shown in Figure D.71, checks to see if all online CPUs have executed the requested memory barrier, telling the state machine to advance if so. Lines 6 and 7 check each online CPU to see if it has done the needed memory barrier, and if not, line 9 tells the state machine not to advance. Otherwise, if all CPUs have executed a memory barrier, line 11 executes a memory barrier to ensure

```

1 static void __rcu_advance_callbacks(struct rcu_data *rdp)
2 {
3     int cpu;
4     int i;
5     int wlc = 0;
6
7     if (rdp->completed != rcu_ctrlblk.completed) {
8         if (rdp->waitlist[GP_STAGES - 1] != NULL) {
9             *rdp->donetail = rdp->waitlist[GP_STAGES - 1];
10            rdp->donetail = rdp->waittail[GP_STAGES - 1];
11            RCU_TRACE_RDP(rcupreempt_trace_move2done, rdp);
12        }
13        for (i = GP_STAGES - 2; i >= 0; i--) {
14            if (rdp->waitlist[i] != NULL) {
15                rdp->waitlist[i + 1] = rdp->waitlist[i];
16                rdp->waittail[i + 1] = rdp->waittail[i];
17                wlc++;
18            } else {
19                rdp->waitlist[i + 1] = NULL;
20                rdp->waittail[i + 1] =
21                    &rdp->waitlist[i + 1];
22            }
23        }
24        if (rdp->nextlist != NULL) {
25            rdp->waitlist[0] = rdp->nextlist;
26            rdp->waittail[0] = rdp->nexttail;
27            wlc++;
28            rdp->nextlist = NULL;
29            rdp->nexttail = &rdp->nextlist;
30            RCU_TRACE_RDP(rcupreempt_trace_move2wait, rdp);
31        } else {
32            rdp->waitlist[0] = NULL;
33            rdp->waittail[0] = &rdp->waitlist[0];
34        }
35        rdp->waitlistcount = wlc;
36        rdp->completed = rcu_ctrlblk.completed;
37    }
38    cpu = raw_smp_processor_id();
39    if (per_cpu(rcu_flip_flag, cpu) == rcu_flipped) {
40        smp_mb();
41        per_cpu(rcu_flip_flag, cpu) = rcu_flip_seen;
42        smp_mb();
43    }
44 }

```

Figure D.72: `__rcu_advance_callbacks()` Implementation

that any RCU callback invocation follows all of the memory barriers, and line 13 tells the state machine to advance.

The `__rcu_advance_callbacks()` function, shown in Figure D.72, advances callbacks and acknowledges the counter flip. Line 7 checks to see if the global `rcu_ctrlblk.completed` counter has advanced since the last call by the current CPU to this function. If not, callbacks need not be advanced (lines 8-37). Otherwise, lines 8 through 37 advance callbacks through the lists (while maintaining a count of the number of non-empty lists in the `wlc` variable). In either case, lines 38 through 43 acknowledge the counter flip if needed.

**Quick Quiz D.58:** How is it possible for lines 38-43 of `__rcu_advance_callbacks()` to be executed when lines 7-37 have not? Won't they both be executed just after a counter flip, and never at any other time? ■

```

1 void __rcu_read_lock(void)
2 {
3     int idx;
4     struct task_struct *t = current;
5     int nesting;
6
7     nesting = ACCESS_ONCE(t->rcu_read_lock_nesting);
8     if (nesting != 0) {
9         t->rcu_read_lock_nesting = nesting + 1;
10    } else {
11        unsigned long flags;
12
13        local_irq_save(flags);
14        idx = ACCESS_ONCE(rcu_ctrlblk.completed) & 0x1;
15        ACCESS_ONCE(__get_cpu_var(rcu_flipctr)[idx])++;
16        ACCESS_ONCE(t->rcu_read_lock_nesting) = nesting + 1;
17        ACCESS_ONCE(t->rcu_flipctr_idx) = idx;
18        local_irq_restore(flags);
19    }
20 }

```

Figure D.73: `__rcu_read_lock()` Implementation

#### D.4.2.4 Read-Side Primitives

This section examines the `rcu_read_lock()` and `rcu_read_unlock()` primitives, followed by a discussion of how this implementation deals with the fact that these two primitives do not contain memory barriers.

`rcu_read_lock()` The implementation of `rcu_read_lock()` is as shown in Figure D.73. Line 7 fetches this task's RCU read-side critical-section nesting counter. If line 8 finds that this counter is non-zero, then we are already protected by an outer `rcu_read_lock()`, in which case line 9 simply increments this counter.

However, if this is the outermost `rcu_read_lock()`, then more work is required. Lines 13 and 18 suppress and restore irqs to ensure that the intervening code is neither preempted nor interrupted by a scheduling-clock interrupt (which runs the grace period state machine). Line 14 fetches the grace-period counter, line 15 increments the current counter for this CPU, line 16 increments the nesting counter, and line 17 records the old/new counter index so that `rcu_read_unlock()` can decrement the corresponding counter (but on whatever CPU it ends up running on).

The `ACCESS_ONCE()` macros force the compiler to emit the accesses in order. Although this does not prevent the CPU from reordering the accesses from the viewpoint of other CPUs, it does ensure that NMI and SMI handlers running on this CPU will see these accesses in order. This is critically important:

1. In absence of the `ACCESS_ONCE()` in the assignment to `idx`, the compiler would be within its rights to: (a) eliminate the local variable `idx` and (b) compile the increment on line 16 as a fetch-increment-store sequence, doing separate accesses to `rcu_ctrlblk.completed` for the fetch and the store. If the value of `rcu_ctrlblk.completed` had changed in the meantime, this would corrupt the `rcu_flipctr` values.
2. If the assignment to `rcu_read_lock_nesting` (line 17) were to be reordered to precede the increment of `rcu_flipctr` (line 16), and if an NMI occurred between these two events, then an `rcu_read_lock()` in that NMI's handler

would incorrectly conclude that it was already under the protection of `rcu_read_lock()`.

3. If the assignment to `rcu_read_lock_nesting` (line 17) were to be reordered to follow the assignment to `rcu_flipctr_idx` (line 18), and if an NMI occurred between these two events, then an `rcu_read_lock()` in that NMI's handler would clobber `rcu_flipctr_idx`, possibly causing the matching `rcu_read_unlock()` to decrement the wrong counter. This in turn could result in premature ending of a grace period, indefinite extension of a grace period, or even both.

It is not clear that the `ACCESS_ONCE` on the assignment to `nesting` (line 7) is required. It is also unclear whether the `smp_read_barrier_depends()` (line 15) is needed: it was added to ensure that changes to index and value remain ordered.

The reasons that irqs must be disabled from line 13 through line 19 are as follows:

1. Suppose one CPU loaded `rcu_ctrlblk.completed` (line 14), then a second CPU incremented this counter, and then the first CPU took a scheduling-clock interrupt. The first CPU would then see that it needed to acknowledge the counter flip, which it would do. This acknowledgment is a promise to avoid incrementing the newly old counter, and this CPU would break this promise. Worse yet, this CPU might be preempted immediately upon return from the scheduling-clock interrupt, and thus end up incrementing the counter at some random point in the future. Either situation could disrupt grace-period detection.
2. Disabling irqs has the side effect of disabling preemption. If this code were to be preempted between fetching `rcu_ctrlblk.completed` (line 14) and incrementing `rcu_flipctr` (line 16), it might well be migrated to some other CPU. This would result in it non-atomically incrementing the counter from that other CPU. If this CPU happened to be executing in `rcu_read_lock()` or `rcu_read_unlock()` just at that time, one of the increments or decrements might be lost, again disrupting grace-period detection. The same result could happen on RISC machines if the preemption occurred in the middle of the increment (after the fetch of the old counter but before the store of the newly incremented counter).
3. Permitting preemption in the midst of line 16, between selecting the current CPU's copy of the `rcu_flipctr` array and the increment of the element indicated by `rcu_flipctr_idx`, can result in a similar failure. Execution might well resume on some other CPU. If this resumption happened concurrently with an `rcu_read_lock()` or `rcu_read_unlock()` running on the original CPU, an increment or decrement might be lost, resulting in either premature termination of a grace period, indefinite extension of a grace period, or even both.
4. Failing to disable preemption can also defeat RCU priority boosting, which relies on `rcu_read_lock_nesting` to determine when a given task is in an RCU read-side critical section. So, for example, if a given task is indefinitely preempted just after incrementing `rcu_flipctr`, but before updating `rcu_read_lock_nesting`, then it will stall RCU grace periods for as long as it is preempted. However, because `rcu_read_lock_nesting` has not yet been incremented, the RCU priority booster has no way to tell that boosting is needed.

```

1 void __rcu_read_unlock(void)
2 {
3     int idx;
4     struct task_struct *t = current;
5     int nesting;
6
7     nesting = ACCESS_ONCE(t->rcu_read_lock_nesting);
8     if (nesting > 1) {
9         t->rcu_read_lock_nesting = nesting - 1;
10    } else {
11        unsigned long flags;
12
13        local_irq_save(flags);
14        idx = ACCESS_ONCE(t->rcu_flipctr_idx);
15        ACCESS_ONCE(t->rcu_read_lock_nesting) = nesting - 1;
16        ACCESS_ONCE(__get_cpu_var(rcu_flipctr)[idx])--;
17        local_irq_restore(flags);
18    }
19 }

```

Figure D.74: `__rcu_read_unlock()` Implementation

Therefore, in the presence of CPU-bound realtime threads, the preempted task might stall grace periods indefinitely, eventually causing an OOM event.

The last three reasons could of course be addressed by disabling preemption rather than disabling of irqs, but given that the first reason requires disabling irqs in any case, there is little reason to separately disable preemption. It is entirely possible that the first reason might be tolerated by requiring an additional grace-period stage, however, it is not clear that disabling preemption is much faster than disabling interrupts on modern CPUs.

`rcu_read_unlock()` The implementation of `rcu_read_unlock()` is shown in Figure D.74. Line 7 fetches the `rcu_read_lock_nesting` counter, which line 8 checks to see if we are under the protection of an enclosing `rcu_read_lock()` primitive. If so, line 9 simply decrements the counter.

However, as with `rcu_read_lock()`, we otherwise must do more work. Lines 13 and 17 disable and restore irqs in order to prevent the scheduling-clock interrupt from invoking the grace-period state machine while in the midst of `rcu_read_unlock()` processing. Line 14 picks up the `rcu_flipctr_idx` that was saved by the matching `rcu_read_lock()`, line 15 decrements `rcu_read_lock_nesting` so that irq and NMI/SMI handlers will henceforth update `rcu_flipctr`, line 16 decrements the counter (with the same index as, but possibly on a different CPU than, that incremented by the matching `rcu_read_lock()`).

The `ACCESS_ONCE()` macros and irq disabling are required for similar reasons that they are in `rcu_read_lock()`.

**Quick Quiz D.59:** What problems could arise if the lines containing `ACCESS_ONCE()` in `rcu_read_unlock()` were reordered by the compiler? ■

**Quick Quiz D.60:** What problems could arise if the lines containing `ACCESS_ONCE()` in `rcu_read_unlock()` were reordered by the CPU? ■

**Quick Quiz D.61:** What problems could arise in `rcu_read_unlock()` if irqs were not disabled? ■

**Memory-Barrier Considerations** Note that these two primitives contains no memory barriers, so there is nothing to stop the CPU from executing the critical section before



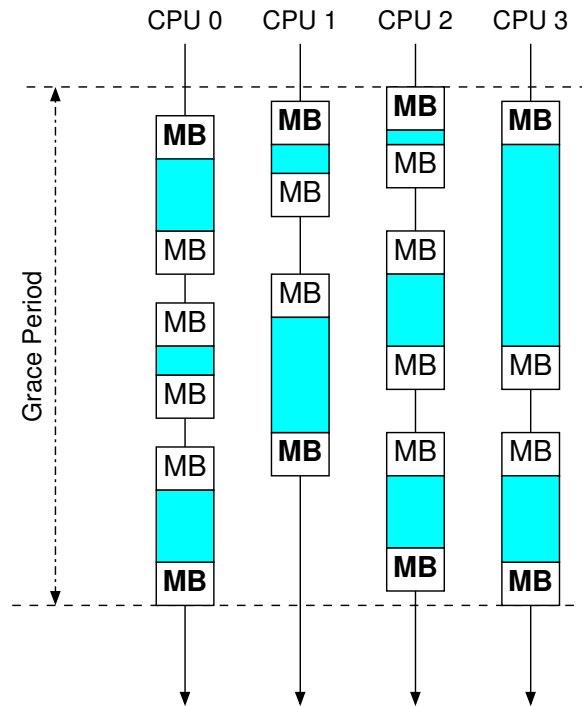


Figure D.75: Preemptible RCU with Read-Side Memory Barriers

executing the `rcu_read_lock()` or after executing the `rcu_read_unlock()`. The purpose of the `rcu_try_flip_waitmb_state` is to account for this possible reordering, but only at the beginning or end of a grace period. To see why this approach is helpful, consider Figure D.75, which shows the wastefulness of the conventional approach of placing a memory barrier at the beginning and end of each RCU read-side critical section [MSMB06].

The “MB”s represent memory barriers, and only the emboldened barriers are needed, namely the first and last on a given CPU for each grace period. This preemptible RCU implementation therefore associates the memory barriers with the grace period, as shown in Figure D.76.

Given that the Linux kernel can execute literally millions of RCU read-side critical sections per grace period, this latter approach can result in substantial read-side savings, due to the fact that it amortizes the cost of the memory barrier over all the read-side critical sections in a grace period.

## D.4.3 Validation of Preemptible RCU

### D.4.3.1 Testing

The preemptible RCU algorithm was tested with a two-stage grace period on weakly ordered POWER4 and POWER5 CPUs using `rcutorture` running for more than 24 hours on each machine, with 15M and 20M grace periods, respectively, and with no errors. Of course, this in no way proves that this algorithm is correct. At most, it shows either that these two machines were extremely lucky or that any bugs remaining in preemptible

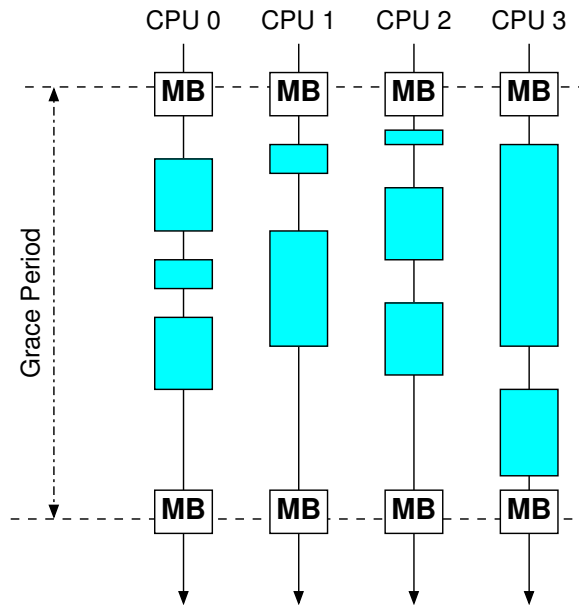


Figure D.76: Preemptible RCU with Grace-Period Memory Barriers

RCU have an extremely low probability of occurring. We therefore required additional assurance that this algorithm works, or, alternatively, identification of remaining bugs.

This task requires a conceptual approach, which is taken in the next section.

#### D.4.3.2 Conceptual Validation

Because neither `rcu_read_lock()` nor `rcu_read_unlock()` contain memory barriers, the RCU read-side critical section can bleed out on weakly ordered machines. In addition, the relatively loose coupling of this RCU implementation permits CPUs to disagree on when a given grace period starts and ends. This leads to the question as to how long a given RCU read-side critical section can possibly extend relative to the grace-period state machine.

The worst-case scenario is shown in Figure D.77. Here, CPU 0 is executing the shortest possible removal and reclamation sequence, while CPU 1 executes the longest possible RCU read-side critical section. Because the callback queues are advanced just before acknowledging a counter flip, the latest that CPU 0 can execute its `list_del_rcu()` and `call_rcu()` is just before its scheduling-clock interrupt that acknowledges the counter flip. The `call_rcu()` invocation places the callback on CPU 0's next list, and the interrupt will move the callback from the next list to the `wait[0]` list. This callback will move again (from the `wait[0]` list to the `wait[1]` list) at CPU 0's first scheduling-clock interrupt following the next counter flip. Similarly, the callback will move from the `wait[1]` list to the done list at CPU 0's first scheduling-clock interrupt following the counter flip resulting in the value 3. The callback might be invoked immediately afterward.

Meanwhile, CPU 1 is executing an RCU read-side critical section. Let us assume that the `rcu_read_lock()` follows the first counter flip (the one resulting in the

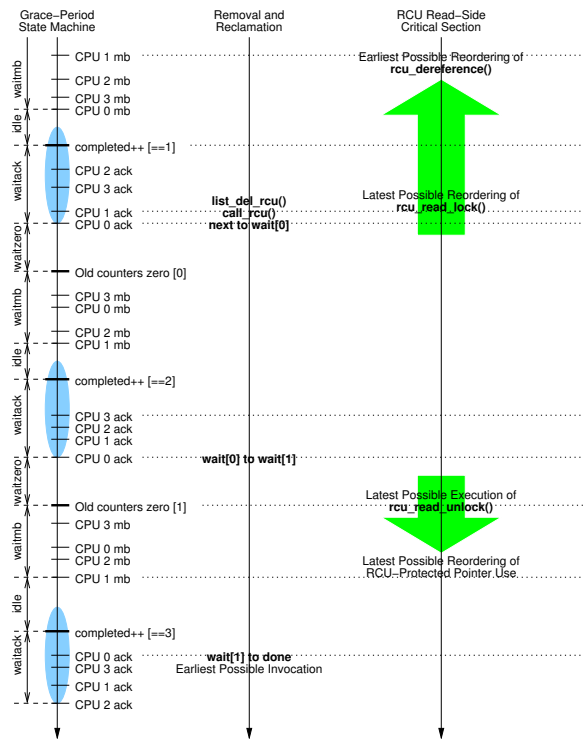


Figure D.77: Preemptible RCU Worst-Case Scenario

value 1), so that the `rcu_read_lock()` increments CPU 1's `rcu_flipctr[1]` counter. Note that because `rcu_read_lock()` does not contain any memory barriers, the contents of the critical section might be executed early by the CPU. However, this early execution cannot precede the last memory barrier executed by CPU 1, as shown on the diagram. This is nevertheless sufficiently early that an `rcu_dereference()` could fetch a pointer to the item being deleted by CPU 0's `list_del_rcu()`.

Because the `rcu_read_lock()` incremented an index-1 counter, the corresponding `rcu_read_unlock()` must precede the “old counters zero” event for index 1. However, because `rcu_read_unlock()` contains no memory barriers, the contents of the corresponding RCU read-side critical section (possibly including a reference to the item deleted by CPU 0) can be executed late by CPU 1. However, it cannot be executed after CPU 1's next memory barrier, as shown on the diagram. Because the latest possible reference by CPU 1 precedes the earliest possible callback invocation by CPU 0, two passes through the grace-period state machine suffice to constitute a full grace period, and hence it is safe to do:

```
#define GP_STAGES 2
```

**Quick Quiz D.62:** Suppose that the irq disabling in `rcu_read_lock()` was replaced by preemption disabling. What effect would that have on `GP_STAGES`? ■

**Quick Quiz D.63:** Why can't the `rcu_dereference()` precede the memory barrier? ■

### D.4.3.3 Formal Validation

Formal validation of this algorithm is quite important, but remains as future work. One tool for doing this validation is described in Section 12.

**Quick Quiz D.64:** What is a more precise way to say “CPU 0 might see CPU 1’s increment as early as CPU 1’s last previous memory barrier”? ■

## Appendix E

# Read-Copy Update in Linux

This chapter gives a history of RCU in the Linux kernel from mid-2008 onwards. Earlier history of RCU may be found elsewhere [McK04, MW08]. Section E.1 gives an overview of the growth of RCU usage in Linux and Section E.2 presents a detailed view of recent RCU evolution.

### E.1 RCU Usage Within Linux

The Linux kernel's usage of RCU has increased over the years, as can be seen from Figure E.1 [McK06a]. RCU has replaced other synchronization mechanisms in existing code (for example, `brlock` in the networking protocol stacks [MM00, Tor03a, Tor03b]), and it has also been introduced with code implementing new functionality (for example, the audit system within SELinux [Mor04]). However, RCU remains a niche technology compared to locking, as shown in Figure E.2. If locking is the hammer in the kernel hacker's concurrency toolbox, perhaps RCU is the screwdriver. If so, it is an rapidly evolving screwdriver, as can be seen in Figure E.3.

### E.2 RCU Evolution

This section presents ongoing experience with RCU since mid-2008.

#### E.2.1 2.6.27 Linux Kernel

This release added the `call_rcu_sched()`, `rcu_barrier_sched()`, and `rcu_barrier_bh()` RCU API members.

#### E.2.2 2.6.28 Linux Kernel

One welcome change involved an actual reduction in the size of RCU's API with the removal of the `list_for_each_rcu()` primitive. This primitive is superseded by `list_for_each_entry_rcu()`, which has the advantage of iterating over structures rather than iterating over the pointer pairs making up a `list_head` structure (which, confusingly, acts as a list element as well as a list header). This change was accepted into the 2.6.28 Linux kernel.

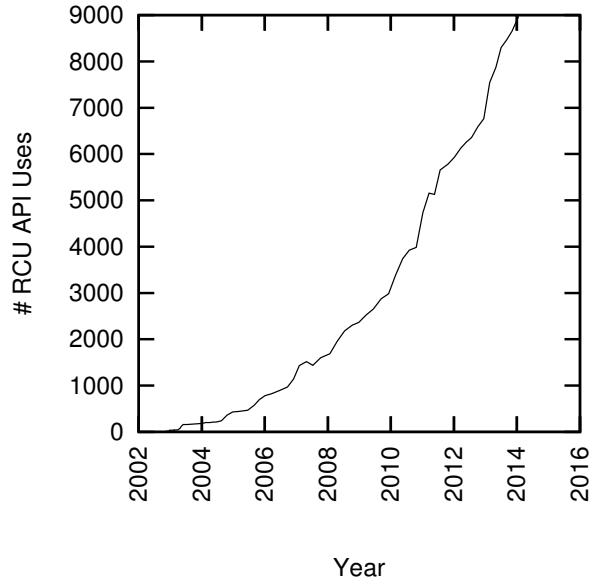


Figure E.1: RCU API Usage in the Linux Kernel

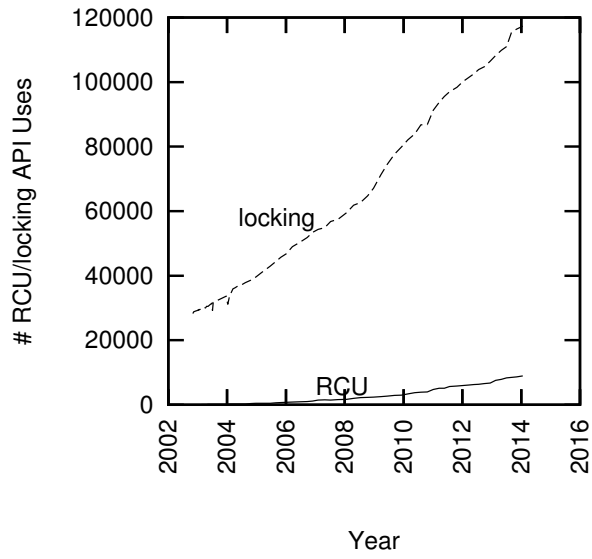


Figure E.2: RCU API Usage in the Linux Kernel vs. Locking

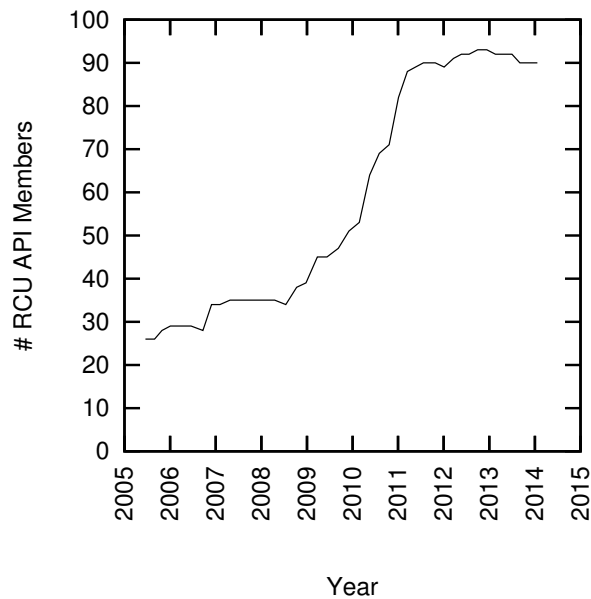


Figure E.3: RCU API Growth Over Time

Unfortunately, the 2.6.28 Linux kernel also added `rcu_read_lock_sched()` and `rcu_read_unlock_sched()` RCU API members. These APIs were added to promote readability. In the past, primitives to disable interrupts or preemption were used to mark the RCU read-side critical sections corresponding to `synchronize_sched()`. However, this practice led to bugs when developers removed the need to disable preemption or interrupts, but failed to notice the need for RCU protection. Use of `rcu_read_lock_sched()` will help prevent such bugs in the future.

### E.2.3 2.6.29 Linux Kernel

A new more-scalable implementation, dubbed “Tree RCU”, replaces the flat bitmap with a combining tree, and was accepted into the 2.6.29 Linux kernel. This implementation was inspired by the ever-growing core counts of modern multiprocessors, and is designed for many hundreds of CPUs. Its current architectural limit is 262,144 CPUs, which the developer (perhaps naïvely) believes to be sufficient for quite some time. This implementation also adopts preemptible RCU’s improved dynamic-tick interface.

Mathieu Desnoyers added `rcu_read_lock_sched_notrace()` and `rcu_read_unlock_sched_notrace()`, which are required to permit the tracing code in the Linux kernel to use RCU. Without these APIs, attempts to trace RCU read-side critical sections lead to infinite recursion.

Eric Dumazet added a new type of RCU-protected list that allows single-bit markers to be stored in the list pointers. This type of list enables a number of lockless algorithms, including some reported on by Maged Michael [Mic04]. Eric’s work adds the `hlist_nulls_add_head_rcu()`, `hlist_nulls_del_rcu()`, `hlist_nulls_del_init_rcu()`, and `hlist_nulls_for_each_entry_rcu()`. It also adds a new structure named `hlist_nulls_node`.

Although it is strictly speaking not part of the Linux kernel, at about this same time,

Mathieu Desnoyers announced his user-space RCU implementation [Des09]. This is an important first step towards a real-time user-level RCU implementation.

### **E.2.4 2.6.31 Linux Kernel**

Jiri Pirko added `list_entry_rcu` and `list_first_entry_rcu()` primitives that encapsulate the `rcu_dereference()` RCU-subscription primitive into higher-level list-access primitives, which will hopefully eliminate a class of bugs.

In addition, the “Tree RCU” implementation was upgraded from “experimental” status.

### **E.2.5 2.6.32 Linux Kernel**

Perhaps the largest change in this version of the Linux kernel is the removal of the old “Classic RCU” implementation. This implementation is superseded by the “Tree RCU” implementation.

This version saw a number of other changes, including:

1. The appearance of `synchronize_rcu_expedited()`, `synchronize_sched_expedited()`, and `synchronize_rcu_bh_expedited()` RCU API members. These primitives are equivalent to their non-expedited counterparts, except that they take measures to expedite the grace period.
2. Add preemptible-RCU functionality to the “Tree RCU” implementation, thus removing one obstacle to real-time response from large multiprocessor machines running Linux.
3. This new “Tree Preemptible RCU” implementation obsoletes the old preemptible RCU implementation, which was removed from the Linux kernel.

### **E.2.6 2.6.33 Linux Kernel**

Perhaps the most dramatic addition to this release was a day-one bug in Tree RCU [McK09a]. Other changes include:

1. “Tiny RCU”, also known as “RCU: The Bloatwatch Edition” [McK09b].
2. Expedited SRCU in the form of `synchronize_srcu_expedited()`.
3. A cleanup of Tree RCU synchronization prompted by the afore-mentioned bug.
4. Add expedited implementation for Tree Preemptible RCU (in earlier releases, “expedited” support had simply mapped to `synchronize_rcu()`, which is semantically correct if somewhat unhelpful from a performance viewpoint.)
5. Add a fourth level to Tree RCU, which improves stress testing. Therefore, if someone ever wants to run Linux on a system with 16,777,216 CPUs, RCU is ready for them! Give or take the response-time implications of scanning through 16 million per-CPU data elements...



## **E.2.7 2.6.34 Linux Kernel**

The most visible addition for this release was `CONFIG_PROVE_RCU`, which allows `rcu_dereference()` to check for correct locking conditions [McK10]. Other changes include:

1. Simplifying Tree RCU's interactions between forcing an old grace period and starting a new one.
2. Rework counters so that free-running counters are unsigned. (You simply cannot imagine the glee on the faces of certain C-compiler hackers while they discussed optimizations that would break code that naively overflowed signed integers!!!)
3. Update Tree Preemptible RCU's stall detection to print out any tasks preempted for excessive time periods while in an RCU read-side critical section.
4. Other bug fixes and improvements to Tree RCU's CPU-stall-detection code. This code checks for CPUs being locked up, for example, in infinite loops with interrupts disabled.
5. Prototype some code to accelerate grace periods when the last CPU goes idle in battery-powered multiprocessor systems. There were people who were quite unhappy about RCU taking a few extra milliseconds to get the system in a state where all CPUs could be powered down!

## **E.2.8 2.6.35 Linux Kernel**

This release includes a number of bug fixes and cleanups. The major change is the first installment of Mathieu Desnoyers's patch to check for misuse of RCU callbacks, for example, passing a `rcu_head` structure to `call_rcu()` a second time within a single grace period.

## **E.2.9 2.6.36 Linux Kernel**

The core of Mathieu Desnoyers's debugobjects work appeared in 2.6.36, with some cleanups deferred to 2.6.37 due to dependencies on commits flowing up other maintainer trees. A key piece of Arnd Bergmann's sparse RCU checking appeared in 2.6.36, with the remainder deferred to 2.6.37, again due to dependencies on commits flowing up other maintainer trees. Finally, a patch from Eric Dumazet fixed an error in `rcu_dereference_bh()`'s error checking.

## **E.2.10 2.6.37 Linux Kernel**

The final cleanups from Mathieu Desnoyers's debugobjects work appeared in 2.6.37, as did the remainder of Arnd Bergmann's sparse-based checking work. Lai Jiangshan added some preemption nastiness to `rcutorture` and made some simplifications to Tree RCU's handling of per-CPU data. Tetsuo Handa fixed an RCU lockdep splat, Christian Dietrich removed a redundant `#ifdef`, and Dongdong Deng added an `ACCESS_ONCE()` that help call out lockless accesses to some Tree RCU control data.

Paul's implementation of preemptible Tiny RCU also appeared in 2.6.37, as did a number of enhancements to the RCU CPU stall-warning code, docbook fixes, coalescing of duplicate code, Tree RCU speedups, added tracing to support queuing models on RCU callback flow, and several miscellaneous fixes and cleanups.

## E.2.11 2.6.38 Linux Kernel

Lai Jiangshan moved `synchronize_sched_expedited()` out of `kernel/sched.c` and into `kernel/rcutree.c` and `kernel/rcu_tiny.c` where it belongs. He also simplified RCU-callback handling during CPU-hotplug operations by eliminating the `orphan_cbs_list`, so that RCU callbacks orphaned by a CPU that is going offline are immediately adopted by the CPU that is orchestrating the offlining sequence. Tejun Heo improved `synchronize_sched_expedited()`'s batching capabilities, which in turn improves performance and scalability for workloads with many concurrent `synchronize_sched_expedited` operations. Frédéric Weisbecker provided a couple of subtle changes to the RCU core code that make RCU more power-efficient when idle. Mariusz Kozłowski fixed an embarrassing syntax error in `__list_for_each_rcu()`, which was then removed. (But the fixed version is there in the git tree should it be needed.) Nick Piggin added the `hlist_bl_set_first_rcu()`, `hlist_bl_first_rcu()`, `hlist_bl_del_init_rcu()`, `hlist_bl_del_rcu()`, `hlist_bl_add_head_rcu()`, and `hlist_bl_for_each_entry_rcu()` primitives for RCU-protected use of bit-locked doubly-linked lists. Christoph Lameter implemented `__this_cpu_read()`, which is an optimized variant of `__get_cpu_var()` for use in cases where the variable is accessed directly.

In addition, TINY\_RCU gained priority boosting, a race condition in `synchronize_sched_expedited()` was fixed, `synchronize_srcu_expedited()` was modified to retain its expedited nature in the face of concurrent readers, grace-period begin/end checks were improved, and the TREE\_RCU leaf-level fanout was limited to 16 in order to fix lock-contention problems. This last change reduces the maximum number of CPUs that TREE\_RCU and TREE\_PREEMPT\_RCU can support down to 4,194,304, which is (again, perhaps naïvely) believed to be sufficient.

## E.2.12 2.6.39 Linux Kernel

Lai Jiangshan made TINY\_RCU's `exit_rcu()` invoke `__rcu_read_unlock()` rather than `rcu_read_unlock()` in case of a task exiting while in an RCU read-side critical section in order to preserve debugging state, Jesper Juhl removed a duplicate include of `sched.h` from `rcutorture`, and Amerigo Wang removed some dead code from `rcu_fixup_free()`.

In addition, a new `rcu_access_index()` was created for use in the MCE subsystem.

## E.2.13 3.0 Linux Kernel

What many expected to be the 2.6.40 release became instead the 3.0 release. The most important RCU feature was the addition of priority boosting for Tree RCU: Important in more ways than planned [McK11a], resulting in RCU fixes after 3.0-rc7. Kudos to Shaohua Li, Peter Zijlstra, Steven Rostedt for much help dealing with the fallout of the collision between RCU, the scheduler, and threaded interrupts. In addition, RCU CPU stall warnings are now unconditionally compiled into Tree RCU, though they may still be disabled via the `rcu_cpu_stall_suppress` module parameter, which may be controlled from either the kernel boot parameter string or `sysfs`.

Mathieu Desnoyers enabled `DEBUG_OBJECTS_RCU_HEAD` checking to be carried out in non-preemptible RCU implementations. Lai Jiangshan created a fire-and-forget `kfree_rcu()` (and applied it throughout the kernel), and also made TREE\_

RCU's `exit_rcu()` invoke `__rcu_read_unlock()` rather than `rcu_read_unlock()` in case of a task exiting while in an RCU read-side critical section in order to preserve debugging state. Eric Dumazet further shrank `TINY_RCU` and Gleb Natapov added RCU hooks to allow virtualization to call RCU's attention to quiescent states that occur when switching context to and from a guest OS. Peter Zijlstra streamlined RCU kthread blocking and wakeup.

### **E.2.14 3.1 Linux Kernel**

The 3.1 version was a quiet time for RCU, with cleanups and minor fixes from Arun Sharma, Jiri Kosina, Michal Hocko, Peter Zijlstra, and Jan H. Schönher.

### **E.2.15 3.2 Linux Kernel**

The 3.2 Linux kernel contains a number of fixes to issues located during the first phase of a top-to-bottom inspection of RCU's code. One outcome of this inspection is that deadlock can occur if an irq-disabled section of code overlaps the end but not the beginning of a preemptible RCU read-side critical section. Therefore, do not code RCU read-side critical sections that partially overlap with irq-disabled code sections: Instead, either fully enclose the irq-disable code sections within a given RCU read-side critical section or vice versa.

This release saw the first RCU event-tracing capabilities. Eric Dumazet applied the new `kthread_create_on_node()` primitive to ensure that RCU's kthreads have memory placed optimally on NUMA systems. He also made the `rcu_assign_pointer()` unconditionally insert a memory barrier because the earlier compiler magic permitting this barrier to be omitted under certain circumstances fails in newer versions of the compiler. Therefore, when assigning `NULL` to an RCU-protected pointer, use `RCU_INIT_POINTER()` rather than `rcu_assign_pointer()`.

Shaohua Li eliminated an unnecessary self-wakeup of RCU's per-CPU kthreads, and Andi Kleen cleaned up some conflicting variable declarations. Mike Galbraith fixed a bug that caused RCU to ignore the `RCU_BOOST_PRIO` kernel parameter, and finally, rcutorture made some headway in catching up to the ever-expanding RCU capabilities.

### **E.2.16 3.3 Linux Kernel**

The 3.3 Linux kernel contains energy-efficiency improvements that reduce RCU's need for scheduling-clock ticks from otherwise idle CPUs, a new `srcu_read_lock_raw()` primitive needed by uprobes, additional fixes for issues located in the still-ongoing top-to-bottom inspection of RCU, and improvements to rcutorture that enable scripted KVM-based testing of RCU, independent of the type or presence of userspace layout.

Also included were some `-rt` RCU patches from Thomas Gleixner, as well as a number of RCU-infrastructure patches from Frédéric Weisbecker in support of the long-hoped-for application of dyntick-idle mode to usermode execution.

Although some initial work has gone into permitting RCU-preempt's `__rcu_read_lock()` and `__rcu_read_unlock()` to be inlined, much more work is needed to disentangle various include-file issues. Finally, there were miscellaneous fixes from Rusty Russell.

There has been an initial request for `rcu_barrier_expedited()`, but given that the requester found another way to solve this problem, this has relatively low priority.

### **E.2.17 3.4 Linux Kernel**

The 3.4 kernel contains yet more energy-efficiency work, reducing their downsides to rapid idle entry/exit workloads. The tradeoff managed here is increased work on idle entry compared to longer idle times, and so the changes in this release do a better job of recognizing when additional effort is futile, for example, if the CPU is entering and exiting idle rapidly due to the workload, there is little point in taking idle-entry actions that would allow the CPU to stay asleep longer.

This release also added `RCU_NONIDLE()`, which is used to handle the increasingly frequent practice of invoking RCU from idle CPUs. Because RCU ignores idle CPUs, this practice is quite dangerous. The new `RCU_NONIDLE()` macro therefore carries out a momentary exit from idle so that RCU read-side critical sections can do their job.

RCU's handling of CPU hotplug was improved, `rcutorture` gained some primitive ability to test RCU CPU stalls warnings, and the stall warnings themselves were improved by adding more information and by adding the ability to control timeouts via `sysfs`. `TREE_RCU` no longer may be used in `CONFIG_SMP=n` kernels; `TINY_RCU` is used instead. This release also saw the addition of lockdep-RCU checks for sleeping in a non-preemptible-RCU read-side critical section, as well as for entering the idle loop while in an RCU read-side critical section.

`TINY_RCU` inherited the `TREE_RCU` fixes for the v3.0-rc7 RCU trainwreck [McK11a]. The grace-period initialization process dropped the old single-node optimization, and callbacks remaining on offlined CPUs no longer need to go through a second full grace period. Furthermore, offline CPUs are no longer permitted to invoke RCU callbacks.

Yet more tweaks to the energy-efficiency code limited the amount of time lazy callbacks could languish on an idle CPU. Finally, a number of fixes were supplied by Frédéric Weisbecker, Heiko Carstens, Julia Lawall, Hugh Dickins, Jan Beulich, and Paul Gortmaker.

### **E.2.18 3.5 Linux Kernel**

The 3.5 Linux kernel included yet more adjustments to the `CONFIG_RCU_FAST_NO_HZ` energy-efficiency code, including timer handling and proper handling of `RCU_NONIDLE()` pauses out of idle.

It also included work to reduce the disruption due to `rcu_barrier()` and friends by avoiding enqueueing callbacks on CPUs that have none. This work also made the interaction between `rcu_barrier()` and callbacks orphaned by offlined CPUs more explicit, which was required in order to avoid some nasty race conditions. An abortive attempt to inline `__rcu_read_unlock()` left but one commit that consolidated and reduced the overhead of RCU's task-exit handling.

This release contains a complete rewrite of SRCU by Lai Jiangshan as well as fixes from Jan Engelhardt, Michel Machado, and Dave Jones.

### **E.2.19 3.6 Linux Kernel**

The 3.6 Linux kernel included the first round of changes to reduce RCU's scheduling-latency impact on systems with thousands of CPUs, namely allowing leaf-level fanout

of the `rcu_node` tree to be controlled by a boot-time parameter. This change reduced the amount of memory that needed to be touched during grace-period initialization by a factor of four, thus reducing the latency impact from about 200 microseconds to 60-70 microseconds. This release also increased `rcu_barrier()` concurrency.

Following an established tradition, this release also contained energy-efficiency changes for the `CONFIG_RCU_FAST_NO_HZ` facility. Finally, the release contained a number of fixes, including an uninitialized-string fix from Carsten Emde.

### **E.2.20 3.7 Linux Kernel**

The 3.7 Linux kernel moved grace-period initialization to a separate kthread, where it is preemptible, which should eliminate grace-period-initialization-latency problems on large systems. This release also removed the previous `_rcu_barrier()` dependency on the much-maligned `__stop_machine()`. It also contained some of the RCU infrastructure required by Frédéric Weisbecker's `CONFIG_NO_HZ_FULL` bare-metal facility [Cor13b], and much of this RCU infrastructure was in fact also written by Frédéric. Finally, it contained fixes and optimizations from Tejun Heo, Thomas Gleixner, Li Zhong, and Dimiti Sivanich.

### **E.2.21 3.8 Linux Kernel**

The 3.8 Linux kernel added a prototype implementation of RCU callback offloading in the form of a new `CONFIG_RCU_NOCB_CPU` Kconfig parameter [Cor12b], for which Paul Gortmaker provided a couple of badly needed fixes. This prototype implementation requires that CPU 0 not be offloaded, and in fact that all callbacks be handled by CPU 0. This is clearly not scalable, so a better implementation will appear later. RCU CPU stall-warning messages were once again upgraded, and some improvements to RCU's CPU-hotplug code were added.

Lai Jiangshan added static definition capability to SRCU and Michael Wang reworked RCU's old debugfs tracing facility. Antti P. Miettinen added a kernel boot parameter that forces all RCU synchronous grace-period primitives to execute in expedited mode, and Eric Dumazet fixed an RCU callback batch-limit problem.

### **E.2.22 3.9 Linux Kernel**

The 3.9 Linux kernel tags groups of callbacks with the corresponding number, which allows RCU to be maximally aggressive about promoting callbacks with no need to worry about over-promoting them. In addition, this release adds RCU CPU stall warnings for `TINY_RCU`.

Lai Jiangshan provided some SRCU updates, allowing SRCU read-side primitives to be invoked from idle and offline CPUs, along with some additional fixes. Additional fixes were provided by Sasha Levin, Steven Rostedt, Li Zhong, Cody P. Schafer, and Josh Triplett.

### **E.2.23 3.10 Linux Kernel**

With the 3.10 Linux kernel, RCU finally has an energy-efficiency mechanism that delivers energy savings that are measurable at the system level [MER13]. The trick is making `CONFIG_RCU_FAST_NO_HZ` use the callback-tagging from 3.9. This means that CPUs going idle need only classify and number their own callbacks, which is

considerably cheaper than than the prior approach of attempting to force the RCU state machine forward. In addition, the callback-tagging was enhanced to allow CPUs to indicate the need for future grace periods, which allows CPUs to indicate a need for a grace period, and to have that grace period complete, despite the fact that the requesting CPU was asleep through the whole process.

In addition, the `CONFIG_RCU_NOCB_CPU` facility was improved to remove its dependency on CPU 0, thus allowing RCU callbacks to be offloaded from all CPUs.

This release also included fixes from Steven Rostedt, Eric Dumazet, Sasha Levin, Frédéric Weisbecker, Al Viro, Steven Whitehouse, Srivatsa S. Bhat, Jiang Fang, and Akinobu Mita.

### **E.2.24 3.11 Linux Kernel**

The 3.11 Linux kernel added cleanups for the callback-tagging work in 3.9 and 3.10 and removed `TINY_PREEMPT_RCU` in favor of running `TREE_PREEMPT_RCU` in uniprocessor mode. This release also includes fixes from Paul Gortmaker and Kees Cook.

### **E.2.25 3.12 Linux Kernel**

The 3.12 kernel adds the `CONFIG_NO_HZ_FULL_SYSIDLE` Kconfig parameter that provides the infrastructure required to allow `CONFIG_NO_HZ_FULL` to efficiently determine when the entire system is idle. This is important because unless `CONFIG_NO_HZ_FULL` can prove that the full system is idle, it must force CPU 0 to keep its scheduling-clock interrupt active, which is not so good for battery lifetime [Cor13a].

This release also improved `rcutorture`'s test coverage by testing synchronous, asynchronous, and expedited grace-period primitives in parallel. It also adds duplicate-callback testing and makes `rcutorture` give more information when a CPU-online operation fails. Finally, it includes fixes from Steven Rostedt, Tejun Heo, and Borislav Petkov.

### **E.2.26 3.13 Linux Kernel**

The 3.13 kernel contains some improvements in `CONFIG_RCU_FAST_NO_HZ` execution, especially avoiding too-frequent attempts to advance callbacks. The rationale is that those events permitting callbacks to advance typically occur only every few milliseconds, so attempting to advance callbacks more frequently than once per jiffy does nothing but reduce performance and waste power. The 3.13 kernel therefore does not attempt to advance callbacks if it has already done so within the current jiffy.

A new `rcu_is_watching()` function allows the caller to determine whether or not it is safe to enter an RCU read-side critical section. In other words, `rcu_is_watching()` returns true unless the CPU is either idle or offline. In addition, a new `smp_mb__after_srcu_read_unlock()` interface (provided by Michael S. Tsirkin) guarantees a full memory barrier from `srcu_read_unlock()`. Note that although `srcu_read_unlock()` currently already provides a full memory barrier, earlier implementations did not do so and future implementations might once again not do so.

RCU's source files have a new home in 3.13, consolidated from the `kernel` directory into a new `kernel/rcu` directory.

Finally, Christoph Lameter provided a patch updating RCU's use of per-CPU-variable APIs and Kirill Tkhai provided a fix for a problem in which kernels built with `CONFIG_RCU_NOCB_CPU_ALL` would panic on boot when running on systems with sparse CPU numbering.





# Appendix F

## Answers to Quick Quizzes

### F.1 How To Use This Book

#### Quick Quiz 1.1:

Where are the answers to the Quick Quizzes found? ■

#### Answer:

In Appendix F starting on page 589.

Hey, I thought I owed you an easy one!

#### Quick Quiz 1.2:

Some of the Quick Quiz questions seem to be from the viewpoint of the reader rather than the author. Is that really the intent? ■

#### Answer:

Indeed it is! Many are questions that Paul E. McKenney would probably have asked if he was a novice student in a class covering this material. It is worth noting that Paul was taught most of this material by parallel hardware and software, not by professors. In Paul's experience, professors are much more likely to provide answers to verbal questions than are parallel systems, Watson notwithstanding. Of course, we could have a lengthy debate over which of professors or parallel systems provide the most useful answers to these sorts of questions, but for the time being let's just agree that usefulness of answers varies widely across the population both of professors and of parallel systems.

Other quizzes are quite similar to actual questions that have been asked during conference presentations and lectures covering the material in this book. A few others are from the viewpoint of the author.

**Quick Quiz 1.3:**

These Quick Quizzes are just not my cup of tea. What can I do about it? ■

**Answer:**

Here are a few possible strategies:

1. Just ignore the Quick Quizzes and read the rest of the book. You might miss out on the interesting material in some of the Quick Quizzes, but the rest of the book has lots of good material as well. This is an eminently reasonable approach if your main goal is to gain a general understanding of the material or if you are skimming through to book to find a solution to a specific problem.
2. If you find the Quick Quizzes distracting but impossible to ignore, you can always clone the  $\text{\LaTeX}$  source for this book from the git archive. You can then modify `Makefile` and `qqz.sty` to eliminate the Quick Quizzes from the PDF output. Alternatively, you could modify these two files so as to pull the answers inline, immediately following the questions.
3. Look at the answer immediately rather than investing a large amount of time in coming up with your own answer. This approach is reasonable when a given Quick Quiz's answer holds the key to a specific problem you are trying to solve. This approach is also reasonable if you want a somewhat deeper understanding of the material, but when you do not expect to be called upon to generate parallel solutions given only a blank sheet of paper.

## F.2 Introduction

**Quick Quiz 2.1:**

Come on now!!! Parallel programming has been known to be exceedingly hard for many decades. You seem to be hinting that it is not so hard. What sort of game are you playing? ■

**Answer:**

If you really believe that parallel programming is exceedingly hard, then you should have a ready answer to the question "Why is parallel programming hard?" One could list any number of reasons, ranging from deadlocks to race conditions to testing coverage, but the real answer is that *it is not really all that hard*. After all, if parallel programming was really so horribly difficult, how could a large number of open-source projects, ranging from Apache to MySQL to the Linux kernel, have managed to master it?

A better question might be: "Why is parallel programming *perceived* to be so difficult?" To see the answer, let's go back to the year 1991. Paul McKenney was walking across the parking lot to Sequent's benchmarking center carrying six dual-80486 Sequent Symmetry CPU boards, when he suddenly realized that he was carrying several times the price of the house he had just purchased.<sup>1</sup> This high cost of parallel systems meant that parallel programming was restricted to a privileged few who worked for an employer who either manufactured or could afford to purchase machines costing upwards of \$100,000 — in 1991 dollars US.

<sup>1</sup> Yes, this sudden realization *did* cause him to walk quite a bit more carefully. Why do you ask?

In contrast, in 2006, Paul finds himself typing these words on a dual-core x86 laptop. Unlike the dual-80486 CPU boards, this laptop also contains 2GB of main memory, a 60GB disk drive, a display, Ethernet, USB ports, wireless, and Bluetooth. And the laptop is more than an order of magnitude cheaper than even one of those dual-80486 CPU boards, even before taking inflation into account.

Parallel systems have truly arrived. They are no longer the sole domain of a privileged few, but something available to almost everyone.

The earlier restricted availability of parallel hardware is the *real* reason that parallel programming is considered so difficult. After all, it is quite difficult to learn to program even the simplest machine if you have no access to it. Since the age of rare and expensive parallel machines is for the most part behind us, the age during which parallel programming is perceived to be mind-crushingly difficult is coming to a close.<sup>2</sup>

### Quick Quiz 2.2:

How could parallel programming *ever* be as easy as sequential programming? ■

#### Answer:

It depends on the programming environment. SQL [Int92] is an underappreciated success story, as it permits programmers who know nothing about parallelism to keep a large parallel system productively busy. We can expect more variations on this theme as parallel computers continue to become cheaper and more readily available. For example, one possible contender in the scientific and technical computing arena is MATLAB\*P, which is an attempt to automatically parallelize common matrix operations.

Finally, on Linux and UNIX systems, consider the following shell command:

```
get_input | grep "interesting" | sort
```

This shell pipeline runs the `get_input`, `grep`, and `sort` processes in parallel. There, that wasn't so hard, now was it?

In short, parallel programming is just as easy as sequential programming—at least in those environments that hide the parallelism from the user!

### Quick Quiz 2.3:

Oh, really??? What about correctness, maintainability, robustness, and so on? ■

#### Answer:

These are important goals, but they are just as important for sequential programs as they are for parallel programs. Therefore, important though they are, they do not belong on a list specific to parallel programming.

### Quick Quiz 2.4:

And if correctness, maintainability, and robustness don't make the list, why do productivity and generality? ■

#### Answer:

Given that parallel programming is perceived to be much harder than sequential pro-

---

<sup>2</sup> Parallel programming is in some ways more difficult than sequential programming, for example, parallel validation is more difficult. But no longer mind-crushingly difficult.

gramming, productivity is tantamount and therefore must not be omitted. Furthermore, high-productivity parallel-programming environments such as SQL serve a special purpose, hence generality must also be added to the list.

**Quick Quiz 2.5:**

Given that parallel programs are much harder to prove correct than are sequential programs, again, shouldn't correctness *really* be on the list? ■

**Answer:**

From an engineering standpoint, the difficulty in proving correctness, either formally or informally, would be important insofar as it impacts the primary goal of productivity. So, in cases where correctness proofs are important, they are subsumed under the "productivity" rubric.

**Quick Quiz 2.6:**

What about just having fun? ■

**Answer:**

Having fun is important as well, but, unless you are a hobbyist, would not normally be a *primary* goal. On the other hand, if you *are* a hobbyist, go wild!

**Quick Quiz 2.7:**

Are there no cases where parallel programming is about something other than performance? ■

**Answer:**

There certainly are cases where the problem to be solved is inherently parallel, for example, Monte Carlo methods and some numerical computations. Even in these cases, however, there will be some amount of extra work managing the parallelism.

Parallelism is also sometimes used for reliability. For but one example, triple-modulo redundancy has three systems run in parallel and vote on the result. In extreme cases, the three systems will be independently implemented using different algorithms and technologies.

**Quick Quiz 2.8:**

Why all this prattling on about non-technical issues??? And not just *any* non-technical issue, but *productivity* of all things? Who cares? ■

**Answer:**

If you are a pure hobbyist, perhaps you don't need to care. But even pure hobbyists will often care about how much they can get done, and how quickly. After all, the most popular hobbyist tools are usually those that are the best suited for the job, and an important part of the definition of "best suited" involves productivity. And if someone is paying you to write parallel code, they will very likely care deeply about your productivity. And if the person paying you cares about something, you would be most wise to pay at

least some attention to it!

Besides, if you *really* didn't care about productivity, you would be doing it by hand rather than using a computer!

**Quick Quiz 2.9:**

Given how cheap parallel systems have become, how can anyone afford to pay people to program them? ■

**Answer:**

There are a number of answers to this question:

1. Given a large computational cluster of parallel machines, the aggregate cost of the cluster can easily justify substantial developer effort, because the development cost can be spread over the large number of machines.
2. Popular software that is run by tens of millions of users can easily justify substantial developer effort, as the cost of this development can be spread over the tens of millions of users. Note that this includes things like kernels and system libraries.
3. If the low-cost parallel machine is controlling the operation of a valuable piece of equipment, then the cost of this piece of equipment might easily justify substantial developer effort.
4. If the software for the low-cost parallel machine produces an extremely valuable result (e.g., mineral exploration), then the valuable result might again justify substantial developer cost.
5. Safety-critical systems protect lives, which can clearly justify very large developer effort.
6. Hobbyists and researchers might seek knowledge, experience, fun, or glory rather than gold.

So it is not the case that the decreasing cost of hardware renders software worthless, but rather that it is no longer possible to "hide" the cost of software development within the cost of the hardware, at least not unless there are extremely large quantities of hardware.

**Quick Quiz 2.10:**

This is a ridiculously unachievable ideal! Why not focus on something that is achievable in practice? ■

**Answer:**

This is eminently achievable. The cellphone is a computer that can be used to make phone calls and to send and receive text messages with little or no programming or configuration on the part of the end user.

This might seem to be a trivial example at first glance, but if you consider it carefully you will see that it is both simple and profound. When we are willing to sacrifice generality, we can achieve truly astounding increases in productivity. Those who indulge in excessive generality will therefore fail to set the productivity bar high enough

to succeed near the top of the software stack. This fact of life even has its own acronym: YAGNI, or “You Ain’t Gonna Need It.”

**Quick Quiz 2.11:**

What other bottlenecks might prevent additional CPUs from providing additional performance? ■

**Answer:**

There are any number of potential bottlenecks:

1. Main memory. If a single thread consumes all available memory, additional threads will simply page themselves silly.
2. Cache. If a single thread’s cache footprint completely fills any shared CPU cache(s), then adding more threads will simply thrash those affected caches.
3. Memory bandwidth. If a single thread consumes all available memory bandwidth, additional threads will simply result in additional queuing on the system interconnect.
4. I/O bandwidth. If a single thread is I/O bound, adding more threads will simply result in them all waiting in line for the affected I/O resource.

Specific hardware systems might have any number of additional bottlenecks. The fact is that every resource which is shared between multiple CPUs or threads is a potential bottleneck.

**Quick Quiz 2.12:**

Other than CPU cache capacity, what might require limiting the number of concurrent threads? ■

**Answer:**

There are any number of potential limits on the number of threads:

1. Main memory. Each thread consumes some memory (for its stack if nothing else), so that excessive numbers of threads can exhaust memory, resulting in excessive paging or memory-allocation failures.
2. I/O bandwidth. If each thread initiates a given amount of mass-storage I/O or networking traffic, excessive numbers of threads can result in excessive I/O queuing delays, again degrading performance. Some networking protocols may be subject to timeouts or other failures if there are so many threads that networking events cannot be responded to in a timely fashion.
3. Synchronization overhead. For many synchronization protocols, excessive numbers of threads can result in excessive spinning, blocking, or rollbacks, thus degrading performance.

Specific applications and platforms may have any number of additional limiting factors.

**Quick Quiz 2.13:**

Are there any other obstacles to parallel programming? ■

**Answer:**

There are a great many other potential obstacles to parallel programming. Here are a few of them:

1. The only known algorithms for a given project might be inherently sequential in nature. In this case, either avoid parallel programming (there being no law saying that your project *has* to run in parallel) or invent a new parallel algorithm.
2. The project allows binary-only plugins that share the same address space, such that no one developer has access to all of the source code for the project. Because many parallel bugs, including deadlocks, are global in nature, such binary-only plugins pose a severe challenge to current software development methodologies. This might well change, but for the time being, all developers of parallel code sharing a given address space need to be able to see *all* of the code running in that address space.
3. The project contains heavily used APIs that were designed without regard to parallelism [AGH<sup>+</sup>11a, CKZ<sup>+</sup>13]. Some of the more ornate features of the System V message-queue API form a case in point. Of course, if your project has been around for a few decades, and its developers did not have access to parallel hardware, it undoubtedly has at least its share of such APIs.
4. The project was implemented without regard to parallelism. Given that there are a great many techniques that work extremely well in a sequential environment, but that fail miserably in parallel environments, if your project ran only on sequential hardware for most of its lifetime, then your project undoubtedly has at least its share of parallel-unfriendly code.
5. The project was implemented without regard to good software-development practice. The cruel truth is that shared-memory parallel environments are often much less forgiving of sloppy development practices than are sequential environments. You may be well-served to clean up the existing design and code prior to attempting parallelization.
6. The people who originally did the development on your project have since moved on, and the people remaining, while well able to maintain it or add small features, are unable to make “big animal” changes. In this case, unless you can work out a very simple way to parallelize your project, you will probably be best off leaving it sequential. That said, there are a number of simple approaches that you might use to parallelize your project, including running multiple instances of it, using a parallel implementation of some heavily used library function, or making use of some other parallel project, such as a database.

One can argue that many of these obstacles are non-technical in nature, but that does not make them any less real. In short, parallelization of a large body of code can be a large and complex effort. As with any large and complex effort, it makes sense to do your homework beforehand.

## F.3 Hardware and its Habits

### Quick Quiz 3.1:

Why should parallel programmers bother learning low-level properties of the hardware? Wouldn't it be easier, better, and more general to remain at a higher level of abstraction? ■

### Answer:

It might well be easier to ignore the detailed properties of the hardware, but in most cases it would be quite foolish to do so. If you accept that the only purpose of parallelism is to increase performance, and if you further accept that performance depends on detailed properties of the hardware, then it logically follows that parallel programmers are going to need to know at least a few hardware properties.

This is the case in most engineering disciplines. Would *you* want to use a bridge designed by an engineer who did not understand the properties of the concrete and steel making up that bridge? If not, why would you expect a parallel programmer to be able to develop competent parallel software without at least *some* understanding of the underlying hardware?

### Quick Quiz 3.2:

What types of machines would allow atomic operations on multiple data elements? ■

### Answer:

One answer to this question is that it is often possible to pack multiple elements of data into a single machine word, which can then be manipulated atomically.

A more trendy answer would be machines supporting transactional memory [Lom77]. However, such machines are still research curiosities, although as of early 2012 it appears that commodity systems supporting limited forms of hardware transactional memory will be commercially available within a couple of years. The jury is still out on the applicability of software transactional memory [MMW07, PW07, RHP<sup>+</sup>07, CBM<sup>+</sup>08, DFGG11, MS12]. Additional information on software transactional memory may be found in Section 16.2.

### Quick Quiz 3.3:

So have CPU designers also greatly reduced the overhead of cache misses? ■

### Answer:

Unfortunately, not so much. There has been some reduction given constant numbers of CPUs, but the finite speed of light and the atomic nature of matter limits their ability to reduce cache-miss overhead for larger systems. Section 3.3 discusses some possible avenues for possible future progress.

### Quick Quiz 3.4:

This is a *simplified* sequence of events? How could it *possibly* be any more complex? ■



**Answer:**

This sequence ignored a number of possible complications, including:

1. Other CPUs might be concurrently attempting to perform CAS operations involving this same cacheline.
2. The cacheline might have been replicated read-only in several CPUs' caches, in which case, it would need to be flushed from their caches.
3. CPU 7 might have been operating on the cache line when the request for it arrived, in which case CPU 7 might need to hold off the request until its own operation completed.
4. CPU 7 might have ejected the cacheline from its cache (for example, in order to make room for other data), so that by the time that the request arrived, the cacheline was on its way to memory.
5. A correctable error might have occurred in the cacheline, which would then need to be corrected at some point before the data was used.

Production-quality cache-coherence mechanisms are extremely complicated due to these sorts of considerations.

**Quick Quiz 3.5:**

Why is it necessary to flush the cacheline from CPU 7's cache? ■

**Answer:**

If the cacheline was not flushed from CPU 7's cache, then CPUs 0 and 7 might have different values for the same set of variables in the cacheline. This sort of incoherence would greatly complicate parallel software, and so hardware architects have been convinced to avoid it.

**Quick Quiz 3.6:**

Surely the hardware designers could be persuaded to improve this situation! Why have they been content with such abysmal performance for these single-instruction operations? ■

**Answer:**

The hardware designers *have* been working on this problem, and have consulted with no less a luminary than the physicist Stephen Hawking. Hawking's observation was that the hardware designers have two basic problems [Gar07]:

1. the finite speed of light, and
2. the atomic nature of matter.

The first problem limits raw speed, and the second limits miniaturization, which in turn limits frequency. And even this sidesteps the power-consumption issue that is currently holding production frequencies to well below 10 GHz.

Operation	Cost (ns)	Ratio
Clock period	0.4	1.0
“Best-case” CAS	12.2	33.8
Best-case lock	25.6	71.2
Single cache miss	12.9	35.8
CAS cache miss	7.0	19.4
Off-Core		
Single cache miss	31.2	86.6
CAS cache miss	31.2	86.5
Off-Socket		
Single cache miss	92.4	256.7
CAS cache miss	95.9	266.4
Comms Fabric	4,500	7,500
Global Comms	195,000,000	324,000,000

Table F.1: Performance of Synchronization Mechanisms on 16-CPU 2.8GHz Intel X5550 (Nehalem) System

Nevertheless, some progress is being made, as may be seen by comparing Table F.1 with Table 3.1 on page 29. Integration of hardware threads in a single core and multiple cores on a die have improved latencies greatly, at least within the confines of a single core or single die. There has been some improvement in overall system latency, but only by about a factor of two. Unfortunately, neither the speed of light nor the atomic nature of matter has changed much in the past few years.

Section 3.3 looks at what else hardware designers might be able to do to ease the plight of parallel programmers.

**Quick Quiz 3.7:**

These numbers are insanely large! How can I possibly get my head around them? ■

**Answer:**

Get a roll of toilet paper. In the USA, each roll will normally have somewhere around 350-500 sheets. Tear off one sheet to represent a single clock cycle, setting it aside. Now unroll the rest of the roll.

The resulting pile of toilet paper will likely represent a single CAS cache miss.

For the more-expensive inter-system communications latencies, use several rolls (or multiple cases) of toilet paper to represent the communications latency.

Important safety tip: make sure to account for the needs of those you live with when appropriating toilet paper!

**Quick Quiz 3.8:**

But individual electrons don’t move anywhere near that fast, even in conductors!!! The electron drift velocity in a conductor under the low voltages found in semiconductors is on the order of only one *millimeter* per second. What gives??? ■

**Answer:**

Electron drift velocity tracks the long-term movement of individual electrons. It turns out that individual electrons bounce around quite randomly, so that their instantaneous speed is very high, but over the long term, they don't move very far. In this, electrons resemble long-distance commuters, who might spend most of their time traveling at full highway speed, but over the long term going nowhere. These commuters' speed might be 70 miles per hour (113 kilometers per hour), but their long-term drift velocity relative to the planet's surface is zero.

When designing circuitry, electrons' instantaneous speed is often more important than their drift velocity. When a voltage is applied to a wire, more electrons enter the wire than leave it, but the electrons entering cause the electrons already there to move a bit further down the wire, which causes other electrons to move down, and so on. The result is that the electric field moves quite quickly down the wire. Just as the speed of sound in air is much greater than is the typical wind speed, the electric field propagates down the wire at a much higher velocity than the electron drift velocity.

**Quick Quiz 3.9:**

Given that distributed-systems communication is so horribly expensive, why does anyone bother with them? ■

**Answer:**

There are a number of reasons:

1. Shared-memory multiprocessor systems have strict size limits. If you need more than a few thousand CPUs, you have no choice but to use a distributed system.
2. Extremely large shared-memory systems tend to be quite expensive and to have even longer cache-miss latencies than does the small four-CPU system shown in Table 3.1.
3. The distributed-systems communications latencies do not necessarily consume the CPU, which can often allow computation to proceed in parallel with message transfer.
4. Many important problems are “embarrassingly parallel”, so that extremely large quantities of processing may be enabled by a very small number of messages. SETI@HOME [aCB08] is but one example of such an application. These sorts of applications can make good use of networks of computers despite extremely long communications latencies.

It is likely that continued work on parallel applications will increase the number of embarrassingly parallel applications that can run well on machines and/or clusters having long communications latencies. That said, greatly reduced hardware latencies would be an extremely welcome development.

**Quick Quiz 3.10:**

OK, if we are going to have to apply distributed-programming techniques to shared-memory parallel programs, why not just always use these distributed techniques and dispense with shared memory? ■

**Answer:**

Because it is often the case that only a small fraction of the program is performance-critical. Shared-memory parallelism allows us to focus distributed-programming techniques on that small fraction, allowing simpler shared-memory techniques to be used on the non-performance-critical bulk of the program.

## F.4 Tools of the Trade

**Quick Quiz 4.1:**

But this silly shell script isn't a *real* parallel program! Why bother with such trivia??? ■

**Answer:**

Because you should *never* forget the simple stuff!

Please keep in mind that the title of this book is “Is Parallel Programming Hard, And, If So, What Can You Do About It?”. One of the most effective things you can do about it is to avoid forgetting the simple stuff! After all, if you choose to do parallel programming the hard way, you have no one but yourself to blame.

**Quick Quiz 4.2:**

Is there a simpler way to create a parallel shell script? If so, how? If not, why not? ■

**Answer:**

One straightforward approach is the shell pipeline: `grep $pattern1 | sed -e 's/a/b/' | sort`

For a sufficiently large input file, `grep` will pattern-match in parallel with `sed` editing and with the input processing of `sort`. See the file `parallel.sh` for a demonstration of shell-script parallelism and pipelining.

**Quick Quiz 4.3:**

But if script-based parallel programming is so easy, why bother with anything else? ■

**Answer:**

In fact, it is quite likely that a very large fraction of parallel programs in use today are script-based. However, script-based parallelism does have its limitations:

1. Creation of new processes is usually quite heavyweight, involving the expensive `fork()` and `exec()` system calls.
2. Sharing of data, including pipelining, typically involves expensive file I/O.
3. The reliable synchronization primitives available to scripts also typically involve expensive file I/O.

These limitations require that script-based parallelism use coarse-grained parallelism, with each unit of work having execution time of at least tens of milliseconds, and preferably much longer.

Those requiring finer-grained parallelism are well advised to think hard about their problem to see if it can be expressed in a coarse-grained form. If not, they should consider using other parallel-programming environments, such as those discussed in Section 4.2.

**Quick Quiz 4.4:**

Why does this `wait()` primitive need to be so complicated? Why not just make it work like the shell-script `wait` does? ■

**Answer:**

Some parallel applications need to take special action when specific children exit, and therefore need to wait for each child individually. In addition, some parallel applications need to detect the reason that the child died. As we saw in Figure 4.3, it is not hard to build a `waitall()` function out of the `wait()` function, but it would be impossible to do the reverse. Once the information about a specific child is lost, it is lost.

**Quick Quiz 4.5:**

Isn't there a lot more to `fork()` and `wait()` than discussed here? ■

**Answer:**

Indeed there is, and it is quite possible that this section will be expanded in future versions to include messaging features (such as UNIX pipes, TCP/IP, and shared file I/O) and memory mapping (such as `mmap()` and `shmget()`). In the meantime, there are any number of textbooks that cover these primitives in great detail, and the truly motivated can read manpages, existing parallel applications using these primitives, as well as the source code of the Linux-kernel implementations themselves.

**Quick Quiz 4.6:**

If the `mythread()` function in Figure 4.5 can simply return, why bother with `pthread_exit()`? ■

**Answer:**

In this simple example, there is no reason whatsoever. However, imagine a more complex example, where `mythread()` invokes other functions, possibly separately compiled. In such a case, `pthread_exit()` allows these other functions to end the thread's execution without having to pass some sort of error return all the way back up to `mythread()`.

**Quick Quiz 4.7:**

If the C language makes no guarantees in presence of a data race, then why does the Linux kernel have so many data races? Are you trying to tell me that the Linux kernel is completely broken??? ■

**Answer:**

Ah, but the Linux kernel is written in a carefully selected superset of the C language

that includes special gcc extensions, such as `asm`s, that permit safe execution even in presence of data races. In addition, the Linux kernel does not run on a number of platforms where data races would be especially problematic. For an example, consider embedded systems with 32-bit pointers and 16-bit busses. On such a system, a data race involving a store to and a load from a given pointer might well result in the load returning the low-order 16 bits of the old value of the pointer concatenated with the high-order 16 bits of the new value of the pointer.

**Quick Quiz 4.8:**

What if I want several threads to hold the same lock at the same time? ■

**Answer:**

The first thing you should do is to ask yourself why you would want to do such a thing. If the answer is “because I have a lot of data that is read by many threads, and only occasionally updated”, then POSIX reader-writer locks might be what you are looking for. These are introduced in Section 4.2.4.

Another way to get the effect of multiple threads holding the same lock is for one thread to acquire the lock, and then use `pthread_create()` to create the other threads. The question of why this would ever be a good idea is left to the reader.

**Quick Quiz 4.9:**

Why not simply make the argument to `lock_reader()` on line 5 of Figure 4.6 be a pointer to a `pthread_mutex_t`? ■

**Answer:**

Because we will need to pass `lock_reader()` to `pthread_create()`. Although we could cast the function when passing it to `pthread_create()`, function casts are quite a bit uglier and harder to get right than are simple pointer casts.

**Quick Quiz 4.10:**

Writing four lines of code for each acquisition and release of a `pthread_mutex_t` sure seems painful! Isn't there a better way? ■

**Answer:**

Indeed! And for that reason, the `pthread_mutex_lock()` and `pthread_mutex_unlock()` primitives are normally wrapped in functions that do this error checking. Later on, we will wrapper them with the Linux kernel `spin_lock()` and `spin_unlock()` APIs.

**Quick Quiz 4.11:**

Is “x = 0” the only possible output from the code fragment shown in Figure 4.7? If so, why? If not, what other output could appear, and why? ■

**Answer:**

No. The reason that “x = 0” was output was that `lock_reader()` acquired the lock

first. Had `lock_writer()` instead acquired the lock first, then the output would have been “`x = 3`”. However, because the code fragment started `lock_reader()` first and because this run was performed on a multiprocessor, one would normally expect `lock_reader()` to acquire the lock first. However, there are no guarantees, especially on a busy system.

**Quick Quiz 4.12:**

Using different locks could cause quite a bit of confusion, what with threads seeing each others’ intermediate states. So should well-written parallel programs restrict themselves to using a single lock in order to avoid this kind of confusion? ■

**Answer:**

Although it is sometimes possible to write a program using a single global lock that both performs and scales well, such programs are exceptions to the rule. You will normally need to use multiple locks to attain good performance and scalability.

One possible exception to this rule is “transactional memory”, which is currently a research topic. Transactional-memory semantics can be loosely thought of as those of a single global lock with optimizations permitted and with the addition of roll-back [Boe09].

**Quick Quiz 4.13:**

In the code shown in Figure 4.8, is `lock_reader()` guaranteed to see all the values produced by `lock_writer()`? Why or why not? ■

**Answer:**

No. On a busy system, `lock_reader()` might be preempted for the entire duration of `lock_writer()`’s execution, in which case it would not see *any* of `lock_writer()`’s intermediate states for `x`.

**Quick Quiz 4.14:**

Wait a minute here!!! Figure 4.7 didn’t initialize shared variable `x`, so why does it need to be initialized in Figure 4.8? ■

**Answer:**

See line 3 of Figure 4.6. Because the code in Figure 4.7 ran first, it could rely on the compile-time initialization of `x`. The code in Figure 4.8 ran next, so it had to re-initialize `x`.

**Quick Quiz 4.15:**

Instead of using `ACCESS_ONCE()` everywhere, why not just declare `goflag` as `volatile` on line 10 of Figure 4.9? ■

**Answer:**

A `volatile` declaration is in fact a reasonable alternative in this particular case. However, use of `ACCESS_ONCE()` has the benefit of clearly flagging to the reader that

`goflag` is subject to concurrent reads and updates. However, `ACCESS_ONCE()` is especially useful in cases where most of the accesses are protected by a lock (and thus *not* subject to change), but where a few of the accesses are made outside of the lock. Using a volatile declaration in this case would make it harder for the reader to note the special accesses outside of the lock, and would also make it harder for the compiler to generate good code under the lock.

**Quick Quiz 4.16:**

`ACCESS_ONCE()` only affects the compiler, not the CPU. Don't we also need memory barriers to make sure that the change in `goflag`'s value propagates to the CPU in a timely fashion in Figure 4.9? ■

**Answer:**

No, memory barriers are not needed and won't help here. Memory barriers only enforce ordering among multiple memory references: They do absolutely nothing to expedite the propagation of data from one part of the system to another. This leads to a quick rule of thumb: You do not need memory barriers unless you are using more than one variable to communicate between multiple threads.

But what about `nreadersrunning`? Isn't that a second variable used for communication? Indeed it is, and there really are the needed memory-barrier instructions buried in `__sync_fetch_and_add()`, which make sure that the thread proclaims its presence before checking to see if it should start.

**Quick Quiz 4.17:**

Would it ever be necessary to use `ACCESS_ONCE()` when accessing a per-thread variable, for example, a variable declared using the `gcc __thread` storage class? ■

**Answer:**

It depends. If the per-thread variable was accessed only from its thread, and never from a single handler, then no. Otherwise, it is quite possible that `ACCESS_ONCE()` is needed. We will see examples of both situations in Section 5.4.4.

This leads to the question of how one thread can gain access to another thread's `__thread` variable, and the answer is that the second thread must store a pointer to its `__thread` pointer somewhere that the first thread has access to. One common approach is to maintain a linked list with one element per thread, and to store the address of each thread's `__thread` variable in the corresponding element.

**Quick Quiz 4.18:**

Isn't comparing against single-CPU throughput a bit harsh? ■

**Answer:**

Not at all. In fact, this comparison was, if anything, overly lenient. A more balanced comparison would be against single-CPU throughput with the locking primitives commented out.



**Quick Quiz 4.19:**

But 1,000 instructions is not a particularly small size for a critical section. What do I do if I need a much smaller critical section, for example, one containing only a few tens of instructions? ■

**Answer:**

If the data being read *never* changes, then you do not need to hold any locks while accessing it. If the data changes sufficiently infrequently, you might be able to checkpoint execution, terminate all threads, change the data, then restart at the checkpoint.

Another approach is to keep a single exclusive lock per thread, so that a thread read-acquires the larger aggregate reader-writer lock by acquiring its own lock, and write-acquires by acquiring all the per-thread locks [HW92]. This can work quite well for readers, but causes writers to incur increasingly large overheads as the number of threads increases.

Some other ways of handling very small critical sections are described in Section 9.3.

**Quick Quiz 4.20:**

In Figure 4.10, all of the traces other than the 100M trace deviate gently from the ideal line. In contrast, the 100M trace breaks sharply from the ideal line at 64 CPUs. In addition, the spacing between the 100M trace and the 10M trace is much smaller than that between the 10M trace and the 1M trace. Why does the 100M trace behave so much differently than the other traces? ■

**Answer:**

Your first clue is that 64 CPUs is exactly half of the 128 CPUs on the machine. The difference is an artifact of hardware threading. This system has 64 cores with two hardware threads per core. As long as fewer than 64 threads are running, each can run in its own core. But as soon as there are more than 64 threads, some of the threads must share cores. Because the pair of threads in any given core share some hardware resources, the throughput of two threads sharing a core is not quite as high as that of two threads each in their own core. So the performance of the 100M trace is limited not by the reader-writer lock, but rather by the sharing of hardware resources between hardware threads in a single core.

This can also be seen in the 10M trace, which deviates gently from the ideal line up to 64 threads, then breaks sharply down, parallel to the 100M trace. Up to 64 threads, the 10M trace is limited primarily by reader-writer lock scalability, and beyond that, also by sharing of hardware resources between hardware threads in a single core.

**Quick Quiz 4.21:**

Power-5 is several years old, and new hardware should be faster. So why should anyone worry about reader-writer locks being slow? ■

**Answer:**

In general, newer hardware is improving. However, it will need to improve more than two orders of magnitude to permit reader-writer lock to achieve ideal performance on 128 CPUs. Worse yet, the greater the number of CPUs, the larger the required performance improvement. The performance problems of reader-writer locking are therefore very

likely to be with us for quite some time to come.

**Quick Quiz 4.22:**

Is it really necessary to have both sets of primitives? ■

**Answer:**

Strictly speaking, no. One could implement any member of the second set using the corresponding member of the first set. For example, one could implement `__sync_nand_and_fetch()` in terms of `__sync_fetch_and_nand()` as follows:

```
tmp = v;
ret = __sync_fetch_and_nand(p, tmp);
ret = ~ret & tmp;
```

It is similarly possible to implement `__sync_fetch_and_add()`, `__sync_fetch_and_sub()`, and `__sync_fetch_and_xor()` in terms of their post-value counterparts.

However, the alternative forms can be quite convenient, both for the programmer and for the compiler/library implementor.

**Quick Quiz 4.23:**

Given that these atomic operations will often be able to generate single atomic instructions that are directly supported by the underlying instruction set, shouldn't they be the fastest possible way to get things done? ■

**Answer:**

Unfortunately, no. See Chapter 5 for some stark counterexamples.

**Quick Quiz 4.24:**

What happened to the Linux-kernel equivalents to `fork()` and `join()`? ■

**Answer:**

They don't really exist. All tasks executing within the Linux kernel share memory, at least unless you want to do a huge amount of memory-mapping work by hand.

**Quick Quiz 4.25:**

Wouldn't the shell normally use `vfork()` rather than `fork()`? ■

**Answer:**

It might well do that, however, checking is left as an exercise for the reader. But in the meantime, I hope that we can agree that `vfork()` is a variant of `fork()`, so that we can use `fork()` as a generic term covering both.

## F.5 Counting

### Quick Quiz 5.1:

Why on earth should efficient and scalable counting be hard? After all, computers have special hardware for the sole purpose of doing counting, addition, subtraction, and lots more besides, don't they???

### Answer:

Because the straightforward counting algorithms, for example, atomic operations on a shared counter, either are slow and scale badly, or are inaccurate, as will be seen in Section 5.1.

### Quick Quiz 5.2:

**Network-packet counting problem.** Suppose that you need to collect statistics on the number of networking packets (or total number of bytes) transmitted and/or received. Packets might be transmitted or received by any CPU on the system. Suppose further that this large machine is capable of handling a million packets per second, and that there is a systems-monitoring package that reads out the count every five seconds. How would you implement this statistical counter?

### Answer:

Hint: The act of updating the counter must be blazingly fast, but because the counter is read out only about once in five million updates, the act of reading out the counter can be quite slow. In addition, the value read out normally need not be all that accurate—after all, since the counter is updated a thousand times per millisecond, we should be able to work with a value that is within a few thousand counts of the “true value”, whatever “true value” might mean in this context. However, the value read out should maintain roughly the same absolute error over time. For example, a 1% error might be just fine when the count is on the order of a million or so, but might be absolutely unacceptable once the count reaches a trillion. See Section 5.2.

### Quick Quiz 5.3:

**Approximate structure-allocation limit problem.** Suppose that you need to maintain a count of the number of structures allocated in order to fail any allocations once the number of structures in use exceeds a limit (say, 10,000). Suppose further that these structures are short-lived, that the limit is rarely exceeded, and that a “sloppy” approximate limit is acceptable.

### Answer:

Hint: The act of updating the counter must again be blazingly fast, but the counter is read out each time that the counter is increased. However, the value read out need not be accurate *except* that it must distinguish approximately between values below the limit and values greater than or equal to the limit. See Section 5.3.

**Quick Quiz 5.4:**

**Exact structure-allocation limit problem.** Suppose that you need to maintain a count of the number of structures allocated in order to fail any allocations once the number of structures in use exceeds an exact limit (again, say 10,000). Suppose further that these structures are short-lived, and that the limit is rarely exceeded, that there is almost always at least one structure in use, and suppose further still that it is necessary to know exactly when this counter reaches zero, for example, in order to free up some memory that is not required unless there is at least one structure in use. ■

**Answer:**

Hint: The act of updating the counter must once again be blazingly fast, but the counter is read out each time that the counter is increased. However, the value read out need not be accurate *except* that it absolutely must distinguish perfectly between values between the limit and zero on the one hand, and values that either are less than or equal to zero or are greater than or equal to the limit on the other hand. See Section 5.4.

**Quick Quiz 5.5:**

**Removable I/O device access-count problem.** Suppose that you need to maintain a reference count on a heavily used removable mass-storage device, so that you can tell the user when it is safe to remove the device. This device follows the usual removal procedure where the user indicates a desire to remove the device, and the system tells the user when it is safe to do so. ■

**Answer:**

Hint: Yet again, the act of updating the counter must be blazingly fast and scalable in order to avoid slowing down I/O operations, but because the counter is read out only when the user wishes to remove the device, the counter read-out operation can be extremely slow. Furthermore, there is no need to be able to read out the counter at all unless the user has already indicated a desire to remove the device. In addition, the value read out need not be accurate *except* that it absolutely must distinguish perfectly between non-zero and zero values, and even then only when the device is in the process of being removed. However, once it has read out a zero value, it must act to keep the value at zero until it has taken some action to prevent subsequent threads from gaining access to the device being removed. See Section 5.5.

**Quick Quiz 5.6:**

But doesn't the ++ operator produce an x86 add-to-memory instruction? And won't the CPU cache cause this to be atomic? ■

**Answer:**

Although the ++ operator *could* be atomic, there is no requirement that it be so. And indeed, gcc often chooses to load the value to a register, increment the register, then store the value to memory, which is decidedly non-atomic.

**Quick Quiz 5.7:**

The 8-figure accuracy on the number of failures indicates that you really did test this.

Why would it be necessary to test such a trivial program, especially when the bug is easily seen by inspection? ■

**Answer:**

Not only are there very few trivial parallel programs, and most days I am not so sure that there are many trivial sequential programs, either.

No matter how small or simple the program, if you haven't tested it, it does not work. And even if you have tested it, Murphy's Law says that there will be at least a few bugs still lurking.

Furthermore, while proofs of correctness certainly do have their place, they never will replace testing, including the `counttorture.h` test setup used here. After all, proofs are only as good as the assumptions that they are based on. Furthermore, proofs can have bugs just as easily as programs can!

**Quick Quiz 5.8:**

Why doesn't the dashed line on the x axis meet the diagonal line at  $x = 1$ ? ■

**Answer:**

Because of the overhead of the atomic operation. The dashed line on the x axis represents the overhead of a single *non-atomic* increment. After all, an *ideal* algorithm would not only scale linearly, it would also incur no performance penalty compared to single-threaded code.

This level of idealism may seem severe, but if it is good enough for Linus Torvalds, it is good enough for you.

**Quick Quiz 5.9:**

But atomic increment is still pretty fast. And incrementing a single variable in a tight loop sounds pretty unrealistic to me, after all, most of the program's execution should be devoted to actually doing work, not accounting for the work it has done! Why should I care about making this go faster? ■

**Answer:**

In many cases, atomic increment will in fact be fast enough for you. In those cases, you should by all means use atomic increment. That said, there are many real-world situations where more elaborate counting algorithms are required. The canonical example of such a situation is counting packets and bytes in highly optimized networking stacks, where it is all too easy to find much of the execution time going into these sorts of accounting tasks, especially on large multiprocessors.

In addition, as noted at the beginning of this chapter, counting provides an excellent view of the issues encountered in shared-memory parallel programs.

**Quick Quiz 5.10:**

But why can't CPU designers simply ship the addition operation to the data, avoiding the need to circulate the cache line containing the global variable being incremented? ■

**Answer:**

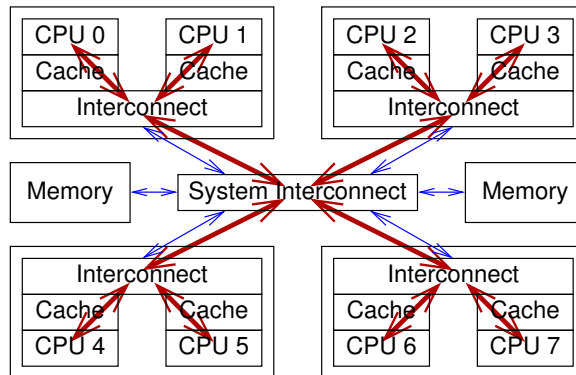


Figure F.1: Data Flow For Global Combining-Tree Atomic Increment

It might well be possible to do this in some cases. However, there are a few complications:

1. If the value of the variable is required, then the thread will be forced to wait for the operation to be shipped to the data, and then for the result to be shipped back.
2. If the atomic increment must be ordered with respect to prior and/or subsequent operations, then the thread will be forced to wait for the operation to be shipped to the data, and for an indication that the operation completed to be shipped back.
3. Shipping operations among CPUs will likely require more lines in the system interconnect, which will consume more die area and more electrical power.

But what if neither of the first two conditions holds? Then you should think carefully about the algorithms discussed in Section 5.2, which achieve near-ideal performance on commodity hardware.

If either or both of the first two conditions hold, there is *some* hope for improved hardware. One could imagine the hardware implementing a combining tree, so that the increment requests from multiple CPUs are combined by the hardware into a single addition when the combined request reaches the hardware. The hardware could also apply an order to the requests, thus returning to each CPU the return value corresponding to its particular atomic increment. This results in instruction latency that varies as  $O(\log N)$ , where  $N$  is the number of CPUs, as shown in Figure F.1. And CPUs with this sort of hardware optimization are starting to appear as of 2011.

This is a great improvement over the  $O(N)$  performance of current hardware shown in Figure 5.4, and it is possible that hardware latencies might decrease further if innovations such as three-dimensional fabrication prove practical. Nevertheless, we will see that in some important special cases, software can do *much* better.

#### Quick Quiz 5.11:

But doesn't the fact that C's "integers" are limited in size complicate things? ■

#### Answer:

No, because modulo addition is still commutative and associative. At least as long as

you use unsigned integers. Recall that in the C standard, overflow of signed integers results in undefined behavior, never mind the fact that machines that do anything other than wrap on overflow are quite rare these days. Unfortunately, compilers frequently carry out optimizations that assume that signed integers will not overflow, so if your code allows signed integers to overflow, you can run into trouble even on twos-complement hardware.

That said, one potential source of additional complexity arises when attempting to gather (say) a 64-bit sum from 32-bit per-thread counters. Dealing with this added complexity is left as an exercise for the reader, for whom some of the techniques introduced later in this chapter could be quite helpful.

**Quick Quiz 5.12:**

An array??? But doesn't that limit the number of threads? ■

**Answer:**

It can, and in this toy implementation, it does. But it is not that hard to come up with an alternative implementation that permits an arbitrary number of threads, for example, using the `gcc __thread` facility, as shown in Section 5.2.4.

**Quick Quiz 5.13:**

What other choice does gcc have, anyway??? ■

**Answer:**

According to the C standard, the effects of fetching a variable that might be concurrently modified by some other thread are undefined. It turns out that the C standard really has no other choice, given that C must support (for example) eight-bit architectures which are incapable of atomically loading a `long`. An upcoming version of the C standard aims to fill this gap, but until then, we depend on the kindness of the gcc developers.

Alternatively, use of volatile accesses such as those provided by `ACCESS_ONCE()` [Cor12a] can help constrain the compiler, at least in cases where the hardware is capable of accessing the value with a single memory-reference instruction.

**Quick Quiz 5.14:**

How does the per-thread `counter` variable in Figure 5.6 get initialized? ■

**Answer:**

The C standard specifies that the initial value of global variables is zero, unless they are explicitly initialized. So the initial value of all the instances of `counter` will be zero. Furthermore, in the common case where the user is interested only in differences between consecutive reads from statistical counters, the initial value is irrelevant.

**Quick Quiz 5.15:**

How is the code in Figure 5.6 supposed to permit more than one counter? ■

**Answer:**

Indeed, this toy example does not support more than one counter. Modifying it so that it can provide multiple counters is left as an exercise to the reader.

**Quick Quiz 5.16:**

The read operation takes time to sum up the per-thread values, and during that time, the counter could well be changing. This means that the value returned by `read_count()` in Figure 5.6 will not necessarily be exact. Assume that the counter is being incremented at rate  $r$  counts per unit time, and that `read_count()`'s execution consumes  $\Delta$  units of time. What is the expected error in the return value? ■

**Answer:**

Let's do worst-case analysis first, followed by a less conservative analysis.

In the worst case, the read operation completes immediately, but is then delayed for  $\Delta$  time units before returning, in which case the worst-case error is simply  $r\Delta$ .

This worst-case behavior is rather unlikely, so let us instead consider the case where the reads from each of the  $N$  counters is spaced equally over the time period  $\Delta$ . There will be  $N + 1$  intervals of duration  $\frac{\Delta}{N+1}$  between the  $N$  reads. The error due to the delay after the read from the last thread's counter will be given by  $\frac{r\Delta}{N(N+1)}$ , the second-to-last thread's counter by  $\frac{2r\Delta}{N(N+1)}$ , the third-to-last by  $\frac{3r\Delta}{N(N+1)}$ , and so on. The total error is given by the sum of the errors due to the reads from each thread's counter, which is:

$$\frac{r\Delta}{N(N+1)} \sum_{i=1}^N i \tag{F.1}$$

Expressing the summation in closed form yields:

$$\frac{r\Delta}{N(N+1)} \frac{N(N+1)}{2} \tag{F.2}$$

Cancelling yields the intuitively expected result:

$$\frac{r\Delta}{2} \tag{F.3}$$

It is important to remember that error continues accumulating as the caller executes code making use of the count returned by the read operation. For example, if the caller spends time  $t$  executing some computation based on the result of the returned count, the worst-case error will have increased to  $r(t\Delta)$ .

The expected error will have similarly increased to:

$$r \left( \frac{\Delta}{2} + t \right) \tag{F.4}$$

Of course, it is sometimes unacceptable for the counter to continue incrementing during the read operation. Section 5.5 discusses a way to handle this situation.

All that aside, in most uses of statistical counters, the error in the value returned by `read_count()` is irrelevant. This irrelevance is due to the fact that the time required for `read_count()` to execute is normally extremely small compared to the time interval between successive calls to `read_count()`.



**Quick Quiz 5.17:**

Why doesn't `inc_count()` in Figure 5.8 need to use atomic instructions? After all, we now have multiple threads accessing the per-thread counters! ■

**Answer:**

Because one of the two threads only reads, and because the variable is aligned and machine-sized, non-atomic instructions suffice. That said, the `ACCESS_ONCE()` macro is used to prevent compiler optimizations that might otherwise prevent the counter updates from becoming visible to `eventual()` [Cor12a].

An older version of this algorithm did in fact use atomic instructions, kudos to Ersoy Bayramoglu for pointing out that they are in fact unnecessary. That said, atomic instructions would be needed in cases where the per-thread `counter` variables were smaller than the global `global_count`. However, note that on a 32-bit system, the per-thread `counter` variables might need to be limited to 32 bits in order to sum them accurately, but with a 64-bit `global_count` variable to avoid overflow. In this case, it is necessary to zero the per-thread `counter` variables periodically in order to avoid overflow. It is extremely important to note that this zeroing cannot be delayed too long or overflow of the smaller per-thread variables will result. This approach therefore imposes real-time requirements on the underlying system, and in turn must be used with extreme care.

In contrast, if all variables are the same size, overflow of any variable is harmless because the eventual sum will be modulo the word size.

**Quick Quiz 5.18:**

Won't the single global thread in the function `eventual()` of Figure 5.8 be just as severe a bottleneck as a global lock would be? ■

**Answer:**

In this case, no. What will happen instead is that as the number of threads increases, the estimate of the counter value returned by `read_count()` will become more inaccurate.

**Quick Quiz 5.19:**

Won't the estimate returned by `read_count()` in Figure 5.8 become increasingly inaccurate as the number of threads rises? ■

**Answer:**

Yes. If this proves problematic, one fix is to provide multiple `eventual()` threads, each covering its own subset of the other threads. In more extreme cases, a tree-like hierarchy of `eventual()` threads might be required.

**Quick Quiz 5.20:**

Given that in the eventually-consistent algorithm shown in Figure 5.8 both reads and updates have extremely low overhead and are extremely scalable, why would anyone bother with the implementation described in Section 5.2.2, given its costly read-side code? ■

**Answer:**

The thread executing `eventual()` consumes CPU time. As more of these eventually-consistent counters are added, the resulting `eventual()` threads will eventually consume all available CPUs. This implementation therefore suffers a different sort of scalability limitation, with the scalability limit being in terms of the number of eventually consistent counters rather than in terms of the number of threads or CPUs.

**Quick Quiz 5.21:**

Why do we need an explicit array to find the other threads' counters? Why doesn't gcc provide a `per_thread()` interface, similar to the Linux kernel's `per_cpu()` primitive, to allow threads to more easily access each others' per-thread variables? ■

**Answer:**

Why indeed?

To be fair, gcc faces some challenges that the Linux kernel gets to ignore. When a user-level thread exits, its per-thread variables all disappear, which complicates the problem of per-thread-variable access, particularly before the advent of user-level RCU (see Section 9.3). In contrast, in the Linux kernel, when a CPU goes offline, that CPU's per-CPU variables remain mapped and accessible.

Similarly, when a new user-level thread is created, its per-thread variables suddenly come into existence. In contrast, in the Linux kernel, all per-CPU variables are mapped and initialized at boot time, regardless of whether the corresponding CPU exists yet, or indeed, whether the corresponding CPU will ever exist.

A key limitation that the Linux kernel imposes is a compile-time maximum bound on the number of CPUs, namely, `CONFIG_NR_CPUS`, along with a typically tighter boot-time bound of `nr_cpu_ids`. In contrast, in user space, there is no hard-coded upper limit on the number of threads.

Of course, both environments must handle dynamically loaded code (dynamic libraries in user space, kernel modules in the Linux kernel), which increases the complexity of per-thread variables.

These complications make it significantly harder for user-space environments to provide access to other threads' per-thread variables. Nevertheless, such access is highly useful, and it is hoped that it will someday appear.

**Quick Quiz 5.22:**

Doesn't the check for `NULL` on line 19 of Figure 5.9 add extra branch mispredictions? Why not have a variable set permanently to zero, and point unused counter-pointers to that variable rather than setting them to `NULL`? ■

**Answer:**

This is a reasonable strategy. Checking for the performance difference is left as an exercise for the reader. However, please keep in mind that the fastpath is not `read_count()`, but rather `inc_count()`.

**Quick Quiz 5.23:**

Why on earth do we need something as heavyweight as a *lock* guarding the summation in the function `read_count ()` in Figure 5.9? ■

**Answer:**

Remember, when a thread exits, its per-thread variables disappear. Therefore, if we attempt to access a given thread's per-thread variables after that thread exits, we will get a segmentation fault. The lock coordinates summation and thread exit, preventing this scenario.

Of course, we could instead read-acquire a reader-writer lock, but Chapter 9 will introduce even lighter-weight mechanisms for implementing the required coordination.

Another approach would be to use an array instead of a per-thread variable, which, as Alexey Roytman notes, would eliminate the tests against `NULL`. However, array accesses are often slower than accesses to per-thread variables, and use of an array would imply a fixed upper bound on the number of threads. Also, note that neither tests nor locks are needed on the `inc_count ()` fastpath.

**Quick Quiz 5.24:**

Why on earth do we need to acquire the lock in `count_register_thread ()` in Figure 5.9? It is a single properly aligned machine-word store to a location that no other thread is modifying, so it should be atomic anyway, right? ■

**Answer:**

This lock could in fact be omitted, but better safe than sorry, especially given that this function is executed only at thread startup, and is therefore not on any critical path. Now, if we were testing on machines with thousands of CPUs, we might need to omit the lock, but on machines with “only” a hundred or so CPUs, there is no need to get fancy.

**Quick Quiz 5.25:**

Fine, but the Linux kernel doesn't have to acquire a lock when reading out the aggregate value of per-CPU counters. So why should user-space code need to do this??? ■

**Answer:**

Remember, the Linux kernel's per-CPU variables are always accessible, even if the corresponding CPU is offline — even if the corresponding CPU never existed and never will exist.

One workaround is to ensure that each thread continues to exist until all threads are finished, as shown in Figure F.2 (`count_tstat.c`). Analysis of this code is left as an exercise to the reader, however, please note that it does not fit well into the `counttorture.h` counter-evaluation scheme. (Why not?) Chapter 9 will introduce synchronization mechanisms that handle this situation in a much more graceful manner.

**Quick Quiz 5.26:**

What fundamental difference is there between counting packets and counting the total number of bytes in the packets, given that the packets vary in size? ■

**Answer:**

```

1 long __thread counter = 0;
2 long *counterp[NR_THREADS] = { NULL };
3 int finalthreadcount = 0;
4 DEFINE_SPINLOCK(final_mutex);
5
6 void inc_count(void)
7 {
8     counter++;
9 }
10
11 long read_count(void)
12 {
13     int t;
14     long sum = 0;
15
16     for_each_thread(t)
17         if (counterp[t] != NULL)
18             sum += *counterp[t];
19     return sum;
20 }
21
22 void count_init(void)
23 {
24 }
25
26 void count_register_thread(void)
27 {
28     counterp[smp_thread_id()] = &counter;
29 }
30
31 void count_unregister_thread(int nthreadsexpected)
32 {
33     spin_lock(&final_mutex);
34     finalthreadcount++;
35     spin_unlock(&final_mutex);
36     while (finalthreadcount < nthreadsexpected)
37         poll(NULL, 0, 1);
38 }

```

Figure F.2: Per-Thread Statistical Counters With Lockless Summation

When counting packets, the counter is only incremented by the value one. On the other hand, when counting bytes, the counter might be incremented by largish numbers.

Why does this matter? Because in the increment-by-one case, the value returned will be exact in the sense that the counter must necessarily have taken on that value at some point in time, even if it is impossible to say precisely when that point occurred. In contrast, when counting bytes, two different threads might return values that are inconsistent with any global ordering of operations.

To see this, suppose that thread 0 adds the value three to its counter, thread 1 adds the value five to its counter, and threads 2 and 3 sum the counters. If the system is “weakly ordered” or if the compiler uses aggressive optimizations, thread 2 might find the sum to be three and thread 3 might find the sum to be five. The only possible global orders of the sequence of values of the counter are 0,3,8 and 0,5,8, and neither order is consistent with the results obtained.

If you missed this one, you are not alone. Michael Scott used this question to stump Paul E. McKenney during Paul’s Ph.D. defense.

**Quick Quiz 5.27:**

Given that the reader must sum all the threads’ counters, this could take a long time given large numbers of threads. Is there any way that the increment operation can remain fast and scalable while allowing readers to also enjoy reasonable performance and scalability? ■

**Answer:**

One approach would be to maintain a global approximation to the value. Readers would increment their per-thread variable, but when it reached some predefined limit, atomically add it to a global variable, then zero their per-thread variable. This would permit a tradeoff between average increment overhead and accuracy of the value read out.

The reader is encouraged to think up and try out other approaches, for example, using a combining tree.

**Quick Quiz 5.28:**

Why does Figure 5.12 provide `add_count()` and `sub_count()` instead of the `inc_count()` and `dec_count()` interfaces show in Section 5.2? ■

**Answer:**

Because structures come in different sizes. Of course, a limit counter corresponding to a specific size of structure might still be able to use `inc_count()` and `dec_count()`.

**Quick Quiz 5.29:**

What is with the strange form of the condition on line 3 of Figure 5.12? Why not the following more intuitive form of the fastpath?

```
3 if (counter + delta <= countermax) {
4   counter += delta;
5   return 1;
6 }
```

■

**Answer:**

Two words. “Integer overflow.”

Try the above formulation with `counter` equal to 10 and `delta` equal to `ULONG_MAX`. Then try it again with the code shown in Figure 5.12.

A good understanding of integer overflow will be required for the rest of this example, so if you have never dealt with integer overflow before, please try several examples to get the hang of it. Integer overflow can sometimes be more difficult to get right than parallel algorithms!

**Quick Quiz 5.30:**

Why does `globalize_count()` zero the per-thread variables, only to later call `balance_count()` to refill them in Figure 5.12? Why not just leave the per-thread variables non-zero? ■

**Answer:**

That is in fact what an earlier version of this code did. But addition and subtraction are extremely cheap, and handling all of the special cases that arise is quite complex. Again, feel free to try it yourself, but beware of integer overflow!

**Quick Quiz 5.31:**

Given that `globalreserve` counted against us in `add_count()`, why doesn't it count for us in `sub_count()` in Figure 5.12? ■

**Answer:**

The `globalreserve` variable tracks the sum of all threads' `countermax` variables. The sum of these threads' `counter` variables might be anywhere from zero to `globalreserve`. We must therefore take a conservative approach, assuming that all threads' `counter` variables are full in `add_count()` and that they are all empty in `sub_count()`.

But remember this question, as we will come back to it later.

**Quick Quiz 5.32:**

Suppose that one thread invokes `add_count()` shown in Figure 5.12, and then another thread invokes `sub_count()`. Won't `sub_count()` return failure even though the value of the counter is non-zero? ■

**Answer:**

Indeed it will! In many cases, this will be a problem, as discussed in Section 5.3.3, and in those cases the algorithms from Section 5.4 will likely be preferable.

**Quick Quiz 5.33:**

Why have both `add_count()` and `sub_count()` in Figure 5.12? Why not simply pass a negative number to `add_count()`? ■

**Answer:**

Given that `add_count()` takes an unsigned long as its argument, it is going to be a bit tough to pass it a negative number. And unless you have some anti-matter memory, there is little point in allowing negative numbers when counting the number of structures in use!

**Quick Quiz 5.34:**

Why set `counter` to `countermax / 2` in line 15 of Figure 5.13? Wouldn't it be simpler to just take `countermax` counts? ■

**Answer:**

First, it really is reserving `countermax` counts (see line 14), however, it adjusts so that only half of these are actually in use by the thread at the moment. This allows the thread to carry out at least `countermax / 2` increments or decrements before having to refer back to `globalcount` again.

Note that the accounting in `globalcount` remains accurate, thanks to the adjustment in line 18.

**Quick Quiz 5.35:**

In Figure 5.14, even though a quarter of the remaining count up to the limit is assigned to thread 0, only an eighth of the remaining count is consumed, as indicated by the uppermost dotted line connecting the center and the rightmost configurations. Why is that? ■

**Answer:**

The reason this happened is that thread 0's `counter` was set to half of its `countermax`. Thus, of the quarter assigned to thread 0, half of that quarter (one eighth) came from `globalcount`, leaving the other half (again, one eighth) to come from the remaining count.

There are two purposes for taking this approach: (1) To allow thread 0 to use the fastpath for decrements as well as increments, and (2) To reduce the inaccuracies if all threads are monotonically incrementing up towards the limit. To see this last point, step through the algorithm and watch what it does.

**Quick Quiz 5.36:**

Why is it necessary to atomically manipulate the thread's `counter` and `countermax` variables as a unit? Wouldn't it be good enough to atomically manipulate them individually? ■

**Answer:**

This might well be possible, but great care is required. Note that removing `counter` without first zeroing `countermax` could result in the corresponding thread increasing `counter` immediately after it was zeroed, completely negating the effect of zeroing the counter.

The opposite ordering, namely zeroing `countermax` and then removing `counter`,

can also result in a non-zero `counter`. To see this, consider the following sequence of events:

1. Thread A fetches its `countermax`, and finds that it is non-zero.
2. Thread B zeroes Thread A's `countermax`.
3. Thread B removes Thread A's `counter`.
4. Thread A, having found that its `countermax` is non-zero, proceeds to add to its `counter`, resulting in a non-zero value for `counter`.

Again, it might well be possible to atomically manipulate `countermax` and `counter` as separate variables, but it is clear that great care is required. It is also quite likely that doing so will slow down the fastpath.

Exploring these possibilities are left as exercises for the reader.

**Quick Quiz 5.37:**

In what way does line 7 of Figure 5.17 violate the C standard? ■

**Answer:**

It assumes eight bits per byte. This assumption does hold for all current commodity microprocessors that can be easily assembled into shared-memory multiprocessors, but certainly does not hold for all computer systems that have ever run C code. (What could you do instead in order to comply with the C standard? What drawbacks would it have?)

**Quick Quiz 5.38:**

Given that there is only one `ctrandmax` variable, why bother passing in a pointer to it on line 18 of Figure 5.17? ■

**Answer:**

There is only one `ctrandmax` variable *per thread*. Later, we will see code that needs to pass other threads' `ctrandmax` variables to `split_ctrandmax()`.

**Quick Quiz 5.39:**

Why does `merge_ctrandmax()` in Figure 5.17 return an `int` rather than storing directly into an `atomic_t`? ■

**Answer:**

Later, we will see that we need the `int` return to pass to the `atomic_cmpxchg()` primitive.

**Quick Quiz 5.40:**

Yecch! Why the ugly `goto` on line 11 of Figure 5.18? Haven't you heard of the `break` statement???

**Answer:**



Replacing the `goto` with a `break` would require keeping a flag to determine whether or not line 15 should return, which is not the sort of thing you want on a fastpath. If you really hate the `goto` that much, your best bet would be to pull the fastpath into a separate function that returned success or failure, with “failure” indicating a need for the slowpath. This is left as an exercise for `goto`-hating readers.

**Quick Quiz 5.41:**

Why would the `atomic_cmpxchg()` primitive at lines 13-14 of Figure 5.18 ever fail? After all, we picked up its old value on line 9 and have not changed it! ■

**Answer:**

Later, we will see how the `flush_local_count()` function in Figure 5.20 might update this thread’s `ctrandmax` variable concurrently with the execution of the fastpath on lines 8-14 of Figure 5.18.

**Quick Quiz 5.42:**

What stops a thread from simply refilling its `ctrandmax` variable immediately after `flush_local_count()` on line 14 of Figure 5.20 empties it? ■

**Answer:**

This other thread cannot refill its `ctrandmax` until the caller of `flush_local_count()` releases the `gblcnt_mutex`. By that time, the caller of `flush_local_count()` will have finished making use of the counts, so there will be no problem with this other thread refilling — assuming that the value of `globalcount` is large enough to permit a refill.

**Quick Quiz 5.43:**

What prevents concurrent execution of the fastpath of either `atomic_add()` or `atomic_sub()` from interfering with the `ctrandmax` variable while `flush_local_count()` is accessing it on line 27 of Figure 5.20 empties it? ■

**Answer:**

Nothing. Consider the following three cases:

1. If `flush_local_count()`’s `atomic_xchg()` executes before the `split_ctrandmax()` of either fastpath, then the fastpath will see a zero counter and countermax, and will thus transfer to the slowpath (unless of course `delta` is zero).
2. If `flush_local_count()`’s `atomic_xchg()` executes after the `split_ctrandmax()` of either fastpath, but before that fastpath’s `atomic_cmpxchg()`, then the `atomic_cmpxchg()` will fail, causing the fastpath to restart, which reduces to case 1 above.
3. If `flush_local_count()`’s `atomic_xchg()` executes after the `atomic_cmpxchg()` of either fastpath, then the fastpath will (most likely) complete successfully before `flush_local_count()` zeroes the thread’s `ctrandmax` variable.

Either way, the race is resolved correctly.

**Quick Quiz 5.44:**

Given that the `atomic_set()` primitive does a simple store to the specified `atomic_t`, how can line 21 of `balance_count()` in Figure 5.21 work correctly in face of concurrent `flush_local_count()` updates to this variable? ■

**Answer:**

The caller of both `balance_count()` and `flush_local_count()` hold `gblcnt_mutex`, so only one may be executing at a given time.

**Quick Quiz 5.45:**

But signal handlers can be migrated to some other CPU while running. Doesn't this possibility require that atomic instructions and memory barriers are required to reliably communicate between a thread and a signal handler that interrupts that thread? ■

**Answer:**

No. If the signal handler is migrated to another CPU, then the interrupted thread is also migrated along with it.

**Quick Quiz 5.46:**

In Figure 5.22, why is the `REQ theft` state colored red? ■

**Answer:**

To indicate that only the fastpath is permitted to change the `theft` state, and that if the thread remains in this state for too long, the thread running the slowpath will resend the POSIX signal.

**Quick Quiz 5.47:**

In Figure 5.22, what is the point of having separate `REQ` and `ACK theft` states? Why not simplify the state machine by collapsing them into a single `REQACK` state? Then whichever of the signal handler or the fastpath gets there first could set the state to `READY`. ■

**Answer:**

Reasons why collapsing the `REQ` and `ACK` states would be a very bad idea include:

1. The slowpath uses the `REQ` and `ACK` states to determine whether the signal should be retransmitted. If the states were collapsed, the slowpath would have no choice but to send redundant signals, which would have the unhelpful effect of needlessly slowing down the fastpath.
2. The following race would result:
  - (a) The slowpath sets a given thread's state to `REQACK`.
  - (b) That thread has just finished its fastpath, and notes the `REQACK` state.

- (c) The thread receives the signal, which also notes the REQACK state, and, because there is no fastpath in effect, sets the state to READY.
- (d) The slowpath notes the READY state, steals the count, and sets the state to IDLE, and completes.
- (e) The fastpath sets the state to READY, disabling further fastpath execution for this thread.

The basic problem here is that the combined REQACK state can be referenced by both the signal handler and the fastpath. The clear separation maintained by the four-state setup ensures orderly state transitions.

That said, you might well be able to make a three-state setup work correctly. If you do succeed, compare carefully to the four-state setup. Is the three-state solution really preferable, and why or why not?

**Quick Quiz 5.48:**

In Figure 5.24 function `flush_local_count_sig()`, why are there `ACCESS_ONCE()` wrappers around the uses of the `theft` per-thread variable? ■

**Answer:**

The first one (on line 11) can be argued to be unnecessary. The last two (lines 14 and 16) are important. If these are removed, the compiler would be within its rights to rewrite lines 14-17 as follows:

```

14  theft = THEFT_READY;
15  if (counting) {
16      theft = THEFT_ACK;
17  }
```

This would be fatal, as the slowpath might see the transient value of `THEFT_READY`, and start stealing before the corresponding thread was ready.

**Quick Quiz 5.49:**

In Figure 5.24, why is it safe for line 28 to directly access the other thread's `countermax` variable? ■

**Answer:**

Because the other thread is not permitted to change the value of its `countermax` variable unless it holds the `gblcnt_mutex` lock. But the caller has acquired this lock, so it is not possible for the other thread to hold it, and therefore the other thread is not permitted to change its `countermax` variable. We can therefore safely access it — but not change it.

**Quick Quiz 5.50:**

In Figure 5.24, why doesn't line 33 check for the current thread sending itself a signal? ■

**Answer:**

There is no need for an additional check. The caller of `flush_local_count()` has already invoked `globalize_count()`, so the check on line 28 will have succeeded,

skipping the later `pthread_kill()`.

**Quick Quiz 5.51:**

The code in Figure 5.24, works with gcc and POSIX. What would be required to make it also conform to the ISO C standard? ■

**Answer:**

The `theft` variable must be of type `sig_atomic_t` to guarantee that it can be safely shared between the signal handler and the code interrupted by the signal.

**Quick Quiz 5.52:**

In Figure 5.24, why does line 41 resend the signal? ■

**Answer:**

Because many operating systems over several decades have had the property of losing the occasional signal. Whether this is a feature or a bug is debatable, but irrelevant. The obvious symptom from the user's viewpoint will not be a kernel bug, but rather a user application hanging.

*Your user application hanging!*

**Quick Quiz 5.53:**

Not only are POSIX signals slow, sending one to each thread simply does not scale. What would you do if you had (say) 10,000 threads and needed the read side to be fast? ■

**Answer:**

One approach is to use the techniques shown in Section 5.2.3, summarizing an approximation to the overall counter value in a single variable. Another approach would be to use multiple threads to carry out the reads, with each such thread interacting with a specific subset of the updating threads.

**Quick Quiz 5.54:**

What if you want an exact limit counter to be exact only for its lower limit, but to allow the upper limit to be inexact? ■

**Answer:**

One simple solution is to overstate the upper limit by the desired amount. The limiting case of such overstatement results in the upper limit being set to the largest value that the counter is capable of representing.

**Quick Quiz 5.55:**

What else had you better have done when using a biased counter? ■

**Answer:**

You had better have set the upper limit to be large enough accommodate the bias, the

expected maximum number of accesses, and enough “slop” to allow the counter to work efficiently even when the number of accesses is at its maximum.

**Quick Quiz 5.56:**

This is ridiculous! We are *read*-acquiring a reader-writer lock to *update* the counter? What are you playing at???

**Answer:**

Strange, perhaps, but true! Almost enough to make you think that the name “reader-writer lock” was poorly chosen, isn’t it?

**Quick Quiz 5.57:**

What other issues would need to be accounted for in a real system?

**Answer:**

A huge number!

Here are a few to start with:

1. There could be any number of devices, so that the global variables are inappropriate, as are the lack of arguments to functions like `do_io()`.
2. Polling loops can be problematic in real systems. In many cases, it is far better to have the last completing I/O wake up the device-removal thread.
3. The I/O might fail, and so `do_io()` will likely need a return value.
4. If the device fails, the last I/O might never complete. In such cases, there might need to be some sort of timeout to allow error recovery.
5. Both `add_count()` and `sub_count()` can fail, but their return values are not checked.
6. Reader-writer locks do not scale well. One way of avoiding the high read-acquisition costs of reader-writer locks is presented in Chapters 7 and 9.
7. The polling loops result in poor energy efficiency. An event-driven design is preferable.

**Quick Quiz 5.58:**

On the `count_stat.c` row of Table 5.1, we see that the update side scales linearly with the number of threads. How is that possible given that the more threads there are, the more per-thread counters must be summed up?

**Answer:**

The read-side code must scan the entire fixed-size array, regardless of the number of threads, so there is no difference in performance. In contrast, in the last two algorithms, readers must do more work when there are more threads. In addition, the last two

algorithms interpose an additional level of indirection because they map from integer thread ID to the corresponding `__thread` variable.

**Quick Quiz 5.59:**

Even on the last row of Table 5.1, the read-side performance of these statistical counter implementations is pretty horrible. So why bother with them? ■

**Answer:**

“Use the right tool for the job.”

As can be seen from Figure 5.3, single-variable atomic increment need not apply for any job involving heavy use of parallel updates. In contrast, the algorithms shown in Table 5.1 do an excellent job of handling update-heavy situations. Of course, if you have a read-mostly situation, you should use something else, for example, an eventually consistent design featuring a single atomically incremented variable that can be read out using a single load, similar to the approach used in Section 5.2.3.

**Quick Quiz 5.60:**

Given the performance data shown in Table 5.2, we should always prefer update-side signals over read-side atomic operations, right? ■

**Answer:**

That depends on the workload. Note that you need almost one hundred thousand readers (with roughly a 60-nanosecond performance gain) to make up for even one writer (with almost a 5-millisecond performance loss). Although there are no shortage of workloads with far greater read intensity, you will need to consider your particular workload.

In addition, although memory barriers have historically been expensive compared to ordinary instructions, you should check this on the specific hardware you will be running. The properties of computer hardware do change over time, and algorithms must change accordingly.

**Quick Quiz 5.61:**

Can advanced techniques be applied to address the lock contention for readers seen in Table 5.2? ■

**Answer:**

One approach is to give up some update-side performance, as is done with scalable non-zero indicators (SNZI) [ELLM07]. There are a number of other ways one might go about this, and these are left as exercises for the reader. Any number of approaches that apply hierarchy, which replace frequent global-lock acquisitions with local lock acquisitions corresponding to lower levels of the hierarchy, should work quite well.

**Quick Quiz 5.62:**

The `++` operator works just fine for 1,000-digit numbers! Haven't you heard of operator overloading?? ■

**Answer:**

In the C++ language, you might well be able to use ++ on a 1,000-digit number, assuming that you had access to a class implementing such numbers. But as of 2010, the C language does not permit operator overloading.

**Quick Quiz 5.63:**

But if we are going to have to partition everything, why bother with shared-memory multithreading? Why not just partition the problem completely and run as multiple processes, each in its own address space? ■

**Answer:**

Indeed, multiple processes with separate address spaces can be an excellent way to exploit parallelism, as the proponents of the fork-join methodology and the Erlang language would be very quick to tell you. However, there are also some advantages to shared-memory parallelism:

1. Only the most performance-critical portions of the application must be partitioned, and such portions are usually a small fraction of the application.
2. Although cache misses are quite slow compared to individual register-to-register instructions, they are typically considerably faster than inter-process-communication primitives, which in turn are considerably faster than things like TCP/IP networking.
3. Shared-memory multiprocessors are readily available and quite inexpensive, so, in stark contrast to the 1990s, there is little cost penalty for use of shared-memory parallelism.

As always, use the right tool for the job!

## F.6 Partitioning and Synchronization Design

**Quick Quiz 6.1:**

Is there a better solution to the Dining Philosophers Problem? ■

**Answer:**

One such improved solution is shown in Figure F.3, where the philosophers are simply provided with an additional five forks. All five philosophers may now eat simultaneously, and there is never any need for philosophers to wait on one another. In addition, this approach offers greatly improved disease control.

This solution might seem like cheating to some, but such “cheating” is key to finding good solutions to many concurrency problems.

**Quick Quiz 6.2:**

And in just what sense can this “horizontal parallelism” be said to be “horizontal”? ■

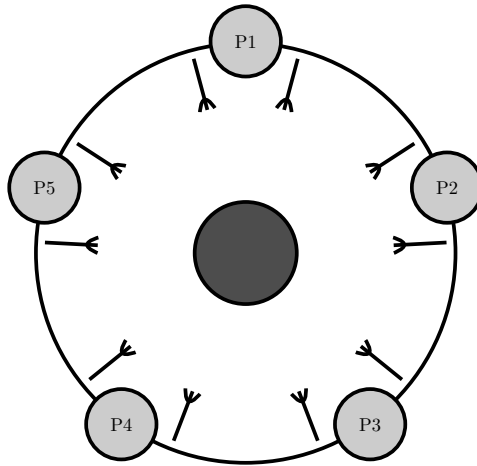


Figure F.3: Dining Philosophers Problem, Fully Partitioned

**Answer:**

Inman was working with protocol stacks, which are normally depicted vertically, with the application on top and the hardware interconnect on the bottom. Data flows up and down this stack. “Horizontal parallelism” processes packets from different network connections in parallel, while “vertical parallelism” handles different protocol-processing steps for a given packet in parallel.

“Vertical parallelism” is also called “pipelining”.

**Quick Quiz 6.3:**

In this compound double-ended queue implementation, what should be done if the queue has become non-empty while releasing and reacquiring the lock? ■

**Answer:**

In this case, simply dequeue an item from the non-empty queue, release both locks, and return.

**Quick Quiz 6.4:**

Is the hashed double-ended queue a good solution? Why or why not? ■

**Answer:**

The best way to answer this is to run `lockhdeq.c` on a number of different multiprocessor systems, and you are encouraged to do so in the strongest possible terms. One reason for concern is that each operation on this implementation must acquire not one but two locks.

The first well-designed performance study will be cited.<sup>3</sup> Do not forget to compare

<sup>3</sup> The studies by Dalessandro et al. [DCW<sup>+</sup>11] and Dice et al. [DLM<sup>+</sup>10] are good starting points.



to a sequential implementation!

**Quick Quiz 6.5:**

Move *all* the elements to the queue that became empty? In what possible universe is this brain-dead solution in any way optimal???

**Answer:**

It is optimal in the case where data flow switches direction only rarely. It would of course be an extremely poor choice if the double-ended queue was being emptied from both ends concurrently. This of course raises another question, namely, in what possible universe emptying from both ends concurrently would be a reasonable thing to do. Work-stealing queues are one possible answer to this question.

**Quick Quiz 6.6:**

Why can't the compound parallel double-ended queue implementation be symmetric?

**Answer:**

The need to avoid deadlock by imposing a lock hierarchy forces the asymmetry, just as it does in the fork-numbering solution to the Dining Philosophers Problem (see Section 6.1.1).

**Quick Quiz 6.7:**

Why is it necessary to retry the right-dequeue operation on line 28 of Figure 6.12?

**Answer:**

This retry is necessary because some other thread might have enqueued an element between the time that this thread dropped `d->rlock` on line 25 and the time that it reacquired this same lock on line 27.

**Quick Quiz 6.8:**

Surely the left-hand lock must *sometimes* be available!!! So why is it necessary that line 25 of Figure 6.12 unconditionally release the right-hand lock?

**Answer:**

It would be possible to use `spin_trylock()` to attempt to acquire the left-hand lock when it was available. However, the failure case would still need to drop the right-hand lock and then re-acquire the two locks in order. Making this transformation (and determining whether or not it is worthwhile) is left as an exercise for the reader.

**Quick Quiz 6.9:**

The tandem double-ended queue runs about twice as fast as the hashed double-ended queue, even when I increase the size of the hash table to an insanely large number. Why is that?

**Answer:**

The hashed double-ended queue's locking design only permits one thread at a time at each end, and further requires two lock acquisitions for each operation. The tandem double-ended queue also permits one thread at a time at each end, and in the common case requires only one lock acquisition per operation. Therefore, the tandem double-ended queue should be expected to outperform the hashed double-ended queue.

Can you create a double-ended queue that allows multiple concurrent operations at each end? If so, how? If not, why not?

**Quick Quiz 6.10:**

Is there a significantly better way of handling concurrency for double-ended queues? ■

**Answer:**

One approach is to transform the problem to be solved so that multiple double-ended queues can be used in parallel, allowing the simpler single-lock double-ended queue to be used, and perhaps also replace each double-ended queue with a pair of conventional single-ended queues. Without such "horizontal scaling", the speedup is limited to 2.0. In contrast, horizontal-scaling designs can achieve very large speedups, and are especially attractive if there are multiple threads working either end of the queue, because in this multiple-thread case the dequeue simply cannot provide strong ordering guarantees. After all, the fact that a given thread removed an item first in no way implies that it will process that item first [HKLP12]. And if there are no guarantees, we may as well obtain the performance benefits that come with refusing to provide these guarantees.

Regardless of whether or not the problem can be transformed to use multiple queues, it is worth asking whether work can be batched so that each enqueue and dequeue operation corresponds to larger units of work. This batching approach decreases contention on the queue data structures, which increases both performance and scalability, as will be seen in Section 6.3. After all, if you must incur high synchronization overheads, be sure you are getting your money's worth.

Other researchers are working on other ways to take advantage of limited ordering guarantees in queues [KLP12].

**Quick Quiz 6.11:**

Don't all these problems with critical sections mean that we should just always use non-blocking synchronization [Her90], which don't have critical sections? ■

**Answer:**

Although non-blocking synchronization can be very useful in some situations, it is no panacea. Also, non-blocking synchronization really does have critical sections, as noted by Josh Triplett. For example, in a non-blocking algorithm based on compare-and-swap operations, the code starting at the initial load and continuing to the compare-and-swap is in many ways analogous to a lock-based critical section.

**Quick Quiz 6.12:**

What are some ways of preventing a structure from being freed while its lock is being acquired? ■

**Answer:**

Here are a few possible solutions to this *existence guarantee* problem:

1. Provide a statically allocated lock that is held while the per-structure lock is being acquired, which is an example of hierarchical locking (see Section 6.4.2). Of course, using a single global lock for this purpose can result in unacceptably high levels of lock contention, dramatically reducing performance and scalability.
2. Provide an array of statically allocated locks, hashing the structure's address to select the lock to be acquired, as described in Chapter 7. Given a hash function of sufficiently high quality, this avoids the scalability limitations of the single global lock, but in read-mostly situations, the lock-acquisition overhead can result in unacceptably degraded performance.
3. Use a garbage collector, in software environments providing them, so that a structure cannot be deallocated while being referenced. This works very well, removing the existence-guarantee burden (and much else besides) from the developer's shoulders, but imposes the overhead of garbage collection on the program. Although garbage-collection technology has advanced considerably in the past few decades, its overhead may be unacceptably high for some applications. In addition, some applications require that the developer exercise more control over the layout and placement of data structures than is permitted by most garbage collected environments.
4. As a special case of a garbage collector, use a global reference counter, or a global array of reference counters.
5. Use *hazard pointers* [Mic04], which can be thought of as an inside-out reference count. Hazard-pointer-based algorithms maintain a per-thread list of pointers, so that the appearance of a given pointer on any of these lists acts as a reference to the corresponding structure. Hazard pointers are an interesting research direction, but have not yet seen much use in production (written in 2008).
6. Use transactional memory (TM) [HM93, Lom77, ST95], so that each reference and modification to the data structure in question is performed atomically. Although TM has engendered much excitement in recent years, and seems likely to be of some use in production software, developers should exercise some caution [BLM05, BLM06, MMW07], particularly in performance-critical code. In particular, existence guarantees require that the transaction cover the full path from a global reference to the data elements being updated.
7. Use RCU, which can be thought of as an extremely lightweight approximation to a garbage collector. Updaters are not permitted to free RCU-protected data structures that RCU readers might still be referencing. RCU is most heavily used for read-mostly data structures, and is discussed at length in Chapter 9.

For more on providing existence guarantees, see Chapters 7 and 9.

**Quick Quiz 6.13:**

How can a single-threaded 64-by-64 matrix multiply possibly have an efficiency of less

than 1.0? Shouldn't all of the traces in Figure 6.23 have efficiency of exactly 1.0 when running on only one thread? ■

**Answer:**

The `matmul.c` program creates the specified number of worker threads, so even the single-worker-thread case incurs thread-creation overhead. Making the changes required to optimize away thread-creation overhead in the single-worker-thread case is left as an exercise to the reader.

**Quick Quiz 6.14:**

How are data-parallel techniques going to help with matrix multiply? It is *already* data parallel!!! ■

**Answer:**

I am glad that you are paying attention! This example serves to show that although data parallelism can be a very good thing, it is not some magic wand that automatically wards off any and all sources of inefficiency. Linear scaling at full performance, even to “only” 64 threads, requires care at all phases of design and implementation.

In particular, you need to pay careful attention to the size of the partitions. For example, if you split a 64-by-64 matrix multiply across 64 threads, each thread gets only 64 floating-point multiplies. The cost of a floating-point multiply is miniscule compared to the overhead of thread creation.

Moral: If you have a parallel program with variable input, always include a check for the input size being too small to be worth parallelizing. And when it is not helpful to parallelize, it is not helpful to incur the overhead required to spawn a thread, now is it?

**Quick Quiz 6.15:**

In what situation would hierarchical locking work well? ■

**Answer:**

If the comparison on line 31 of Figure 6.26 were replaced by a much heavier-weight operation, then releasing `bp->bucket_lock` *might* reduce lock contention enough to outweigh the overhead of the extra acquisition and release of `cur->node_lock`.

**Quick Quiz 6.16:**

In Figure 6.32, there is a pattern of performance rising with increasing run length in groups of three samples, for example, for run lengths 10, 11, and 12. Why? ■

**Answer:**

This is due to the per-CPU target value being three. A run length of 12 must acquire the global-pool lock twice, while a run length of 13 must acquire the global-pool lock three times.

**Quick Quiz 6.17:**

Allocation failures were observed in the two-thread tests at run lengths of 19 and greater.

Given the global-pool size of 40 and the per-thread target pool size  $s$  of three, number of thread  $n$  equal to two, and assuming that the per-thread pools are initially empty with none of the memory in use, what is the smallest allocation run length  $m$  at which failures can occur? (Recall that each thread repeatedly allocates  $m$  block of memory, and then frees the  $m$  blocks of memory.) Alternatively, given  $n$  threads each with pool size  $s$ , and where each thread repeatedly first allocates  $m$  blocks of memory and then frees those  $m$  blocks, how large must the global pool size be? ■

**Answer:**

The exact solution to this problem is left as an exercise to the reader. The first solution received will be credited to its submitter. As a rough rule of thumb, the global pool size should be at least  $m + 2sn$ , where “ $m$ ” is the maximum number of elements allocated at a given time, “ $s$ ” is the per-CPU pool size, and “ $n$ ” is the number of CPUs.

## F.7 Locking

**Quick Quiz 7.1:**

Just how can serving as a whipping boy be considered to be in any way honorable??? ■

**Answer:**

The reason locking serves as a research-paper whipping boy is because it is heavily used in practice. In contrast, if no one used or cared about locking, most research papers would not bother even mentioning it.

**Quick Quiz 7.2:**

But the definition of deadlock only said that each thread was holding at least one lock and waiting on another lock that was held by some thread. How do you know that there is a cycle? ■

**Answer:**

Suppose that there is no cycle in the graph. We would then have a directed acyclic graph (DAG), which would have at least one leaf node.

If this leaf node was a lock, then we would have a thread that was waiting on a lock that wasn't held by any thread, which violates the definition. (And in this case the thread would immediately acquire the lock.)

On the other hand, if this leaf node was a thread, then we would have a thread that was not waiting on any lock, again violating the definition. (And in this case, the thread would either be running or be blocked on something that is not a lock.)

Therefore, given this definition of deadlock, there must be a cycle in the corresponding graph.

**Quick Quiz 7.3:**

Are there any exceptions to this rule, so that there really could be a deadlock cycle containing locks from both the library and the caller, even given that the library code never invokes any of the caller's functions? ■

**Answer:**

Indeed there are! Here are a few of them:

1. If one of the library function's arguments is a pointer to a lock that this library function acquires, and if the library function holds one of its locks while acquiring the caller's lock, then we could have a deadlock cycle involving both caller and library locks.
2. If one of the library functions returns a pointer to a lock that is acquired by the caller, and if the caller acquires one of its locks while holding the library's lock, we could again have a deadlock cycle involving both caller and library locks.
3. If one of the library functions acquires a lock and then returns while still holding it, and if the caller acquires one of its locks, we have yet another way to create a deadlock cycle involving both caller and library locks.
4. If the caller has a signal handler that acquires locks, then the deadlock cycle can involve both caller and library locks. In this case, however, the library's locks are innocent bystanders in the deadlock cycle. That said, please note that acquiring a lock from within a signal handler is a no-no in most environments—it is not just a bad idea, it is unsupported.

**Quick Quiz 7.4:**

But if `qsort()` releases all its locks before invoking the comparison function, how can it protect against races with other `qsort()` threads? ■

**Answer:**

By privatizing the data elements being compared (as discussed in Chapter 8) or through use of deferral mechanisms such as reference counting (as discussed in Chapter 9).

**Quick Quiz 7.5:**

Name one common exception where it is perfectly reasonable to pass a pointer to a lock into a function. ■

**Answer:**

Locking primitives, of course!

**Quick Quiz 7.6:**

Doesn't the fact that `pthread_cond_wait()` first releases the mutex and then re-acquires it eliminate the possibility of deadlock? ■

**Answer:**

Absolutely not!

Consider the a program that acquires `mutex_a`, and then `mutex_b`, in that order, and then passes `mutex_a` to `pthread_cond_wait`. Now, `pthread_cond_wait` will release `mutex_a`, but will re-acquire it before returning. If some other

thread acquires `mutex_a` in the meantime and then blocks on `mutex_b`, the program will deadlock.

**Quick Quiz 7.7:**

Can the transformation from Figure 7.9 to Figure 7.10 be applied universally? ■

**Answer:**

Absolutely not!

This transformation assumes that the `layer_2_processing()` function is idempotent, given that it might be executed multiple times on the same packet when the `layer_1()` routing decision changes. Therefore, in real life, this transformation can become arbitrarily complex.

**Quick Quiz 7.8:**

But the complexity in Figure 7.10 is well worthwhile given that it avoids deadlock, right? ■

**Answer:**

Maybe.

If the routing decision in `layer_1()` changes often enough, the code will always retry, never making forward progress. This is termed “livelock” if no thread makes any forward progress or “starvation” if some threads make forward progress but other do not (see Section 7.1.2).

**Quick Quiz 7.9:**

When using the “acquire needed locks first” approach described in Section 7.1.1.6, how can livelock be avoided? ■

**Answer:**

Provide an additional global lock. If a given thread has repeatedly tried and failed to acquire the needed locks, then have that thread unconditionally acquire the new global lock, and then unconditionally acquire any needed locks. (Suggested by Doug Lea.)

**Quick Quiz 7.10:**

Why is it illegal to acquire a Lock A that is acquired outside of a signal handler without blocking signals while holding a Lock B that is acquired within a signal handler? ■

**Answer:**

Because this would lead to deadlock. Given that Lock A is held outside of a signal handler without blocking signals, a signal might be handled while holding this lock. The corresponding signal handler might then acquire Lock B, so that Lock B is acquired while holding Lock A. Therefore, if we also acquire Lock A while holding Lock B as called out in the question, we will have a deadlock cycle.

Therefore, it is illegal to acquire a lock that is acquired outside of a signal handler without blocking signals while holding a another lock that is acquired within a signal

handler.

**Quick Quiz 7.11:**

How can you legally block signals within a signal handler? ■

**Answer:**

One of the simplest and fastest ways to do so is to use the `sa_mask` field of the `struct sigaction` that you pass to `sigaction()` when setting up the signal.

**Quick Quiz 7.12:**

If acquiring locks in signal handlers is such a bad idea, why even discuss ways of making it safe? ■

**Answer:**

Because these same rules apply to the interrupt handlers used in operating-system kernels and in some embedded applications.

In many application environments, acquiring locks in signal handlers is frowned upon [Ope97]. However, that does not stop clever developers from (usually unwisely) fashioning home-brew locks out of atomic operations. And atomic operations are in many cases perfectly legal in signal handlers.

**Quick Quiz 7.13:**

Given an object-oriented application that passes control freely among a group of objects such that there is no straightforward locking hierarchy,<sup>4</sup> layered or otherwise, how can this application be parallelized? ■

**Answer:**

There are a number of approaches:

1. In the case of parametric search via simulation, where a large number of simulations will be run in order to converge on (for example) a good design for a mechanical or electrical device, leave the simulation single-threaded, but run many instances of the simulation in parallel. This retains the object-oriented design, and gains parallelism at a higher level, and likely also avoids synchronization overhead.
2. Partition the objects into groups such that there is no need to operate on objects in more than one group at a given time. Then associate a lock with each group. This is an example of a single-lock-at-a-time design, which discussed in Section 7.1.1.7.
3. Partition the objects into groups such that threads can all operate on objects in the groups in some groupwise ordering. Then associate a lock with each group, and impose a locking hierarchy over the groups.
4. Impose an arbitrarily selected hierarchy on the locks, and then use conditional

---

<sup>4</sup> Also known as “object-oriented spaghetti code.”



locking if it is necessary to acquire a lock out of order, as was discussed in Section 7.1.1.5.

5. Before carrying out a given group of operations, predict which locks will be acquired, and attempt to acquire them before actually carrying out any updates. If the prediction turns out to be incorrect, drop all the locks and retry with an updated prediction that includes the benefit of experience. This approach was discussed in Section 7.1.1.6.
6. Use transactional memory. This approach has a number of advantages and disadvantages which will be discussed in Section 16.2.
7. Refactor the application to be more concurrency-friendly. This would likely also have the side effect of making the application run faster even when single-threaded, but might also make it more difficult to modify the application.
8. Use techniques from later chapters in addition to locking.

**Quick Quiz 7.14:**

How can the livelock shown in Figure 7.11 be avoided? ■

**Answer:**

Figure 7.10 provides some good hints. In many cases, livelocks are a hint that you should revisit your locking design. Or visit it in the first place if your locking design “just grew”.

That said, one good-and-sufficient approach due to Doug Lea is to use conditional locking as described in Section 7.1.1.5, but combine this with acquiring all needed locks first, before modifying shared data, as described in Section 7.1.1.6. If a given critical section retries too many times, unconditionally acquire a global lock, then unconditionally acquire all the needed locks. This avoids both deadlock and livelock, and scales reasonably assuming that the global lock need not be acquired too often.

**Quick Quiz 7.15:**

What problems can you spot in the code in Figure 7.12? ■

**Answer:**

Here are a couple:

1. A one-second wait is way too long for most uses. Wait intervals should begin with roughly the time required to execute the critical section, which will normally be in the microsecond or millisecond range.
2. The code does not check for overflow. On the other hand, this bug is nullified by the previous bug: 32 bits worth of seconds is more than 50 years.

**Quick Quiz 7.16:**

Wouldn't it be better just to use a good parallel design so that lock contention was low

enough to avoid unfairness? ■

**Answer:**

It would be better in some sense, but there are situations where it can be appropriate to use designs that sometimes result in high lock contentions.

For example, imagine a system that is subject to a rare error condition. It might well be best to have a simple error-handling design that has poor performance and scalability for the duration of the rare error condition, as opposed to a complex and difficult-to-debug design that is helpful only when one of those rare error conditions is in effect.

That said, it is usually worth putting some effort into attempting to produce a design that both simple as well as efficient during error conditions, for example by partitioning the problem.

**Quick Quiz 7.17:**

How might the lock holder be interfered with? ■

**Answer:**

If the data protected by the lock is in the same cache line as the lock itself, then attempts by other CPUs to acquire the lock will result in expensive cache misses on the part of the CPU holding the lock. This is a special case of false sharing, which can also occur if a pair of variables protected by different locks happen to share a cache line. In contrast, if the lock is in a different cache line than the data that it protects, the CPU holding the lock will usually suffer a cache miss only on first access to a given variable.

Of course, the downside of placing the lock and data into separate cache lines is that the code will incur two cache misses rather than only one in the uncontended case.

**Quick Quiz 7.18:**

Does it ever make sense to have an exclusive lock acquisition immediately followed by a release of that same lock, that is, an empty critical section? ■

**Answer:**

This usage is rare, but is occasionally used. The point is that the semantics of exclusive locks have two components: (1) the familiar data-protection semantic and (2) a messaging semantic, where releasing a given lock notifies a waiting acquisition of that same lock. An empty critical section uses the messaging component without the data-protection component.

The rest of this answer provides some example uses of empty critical sections, however, these examples should be considered “gray magic.”<sup>5</sup> As such, empty critical sections are almost never used in practice. Nevertheless, pressing on into this gray area...

One historical use of empty critical sections appeared in the networking stack of the 2.4 Linux kernel. This usage pattern can be thought of as a way of approximating the effects of read-copy update (RCU), which is discussed in Section 9.3.

The empty-lock-critical-section idiom can also be used to reduce lock contention in some situations. For example, consider a multithreaded user-space application where each thread processes unit of work maintained in a per-thread list, where thread are

---

<sup>5</sup> Thanks to Alexey Roytman for this description.

prohibited from touching each others' lists. There could also be updates that require that all previously scheduled units of work have completed before the update can progress. One way to handle this is to schedule a unit of work on each thread, so that when all of these units of work complete, the update may proceed.

In some applications, threads can come and go. For example, each thread might correspond to one user of the application, and thus be removed when that user logs out or otherwise disconnects. In many applications, threads cannot depart atomically: They must instead explicitly unravel themselves from various portions of the application using a specific sequence of actions. One specific action will be refusing to accept further requests from other threads, and another specific action will be disposing of any remaining units of work on its list, for example, by placing these units of work in a global work-item-disposal list to be taken by one of the remaining threads. (Why not just drain the thread's work-item list by executing each item? Because a given work item might generate more work items, so that the list could not be drained in a timely fashion.)

If the application is to perform and scale well, a good locking design is required. One common solution is to have a global lock (call it  $G$ ) protecting the entire process of departing (and perhaps other things as well), with finer-grained locks protecting the individual unraveling operations.

Now, a departing thread must clearly refuse to accept further requests before disposing of the work on its list, because otherwise additional work might arrive after the disposal action, which would render that disposal action ineffective. So simplified pseudocode for a departing thread might be as follows:

1. Acquire lock  $G$ .
2. Acquire the lock guarding communications.
3. Refuse further communications from other threads.
4. Release the lock guarding communications.
5. Acquire the lock guarding the global work-item-disposal list.
6. Move all pending work items to the global work-item-disposal list.
7. Release the lock guarding the global work-item-disposal list.
8. Release lock  $G$ .

Of course, a thread that needs to wait for all pre-existing work items will need to take departing threads into account. To see this, suppose that this thread starts waiting for all pre-existing work items just after a departing thread has refused further communications from other threads. How can this thread wait for the departing thread's work items to complete, keeping in mind that threads are not allowed to access each others' lists of work items?

One straightforward approach is for this thread to acquire  $G$  and then the lock guarding the global work-item-disposal list, then move the work items to its own list. The thread then release both locks, places a work item on the end of it own list, and then wait for all of the work items that it placed on each thread's list (including its own) to complete.

This approach does work well in many cases, but if special processing is required for each work item as it is pulled in from the global work-item-disposal list, the result

could be excessive contention on G. One way to avoid that contention is to acquire G and then immediately release it. Then the process of waiting for all prior work items look something like the following:

1. Set a global counter to one and initialize a condition variable to zero.
2. Send a message to all threads to cause them to atomically increment the global counter, and then to enqueue a work item. The work item will atomically decrement the global counter, and if the result is zero, it will set a condition variable to one.
3. Acquire G, which will wait on any currently departing thread to finish departing. Because only one thread may depart at a time, all the remaining threads will have already received the message sent in the preceding step.
4. Release G.
5. Acquire the lock guarding the global work-item-disposal list.
6. Move all work items from the global work-item-disposal list to this thread's list, processing them as needed along the way.
7. Release the lock guarding the global work-item-disposal list.
8. Enqueue an additional work item onto this thread's list. (As before, this work item will atomically decrement the global counter, and if the result is zero, it will set a condition variable to one.)
9. Wait for the condition variable to take on the value one.

Once this procedure completes, all pre-existing work items are guaranteed to have completed. The empty critical sections are using locking for messaging as well as for protection of data.

**Quick Quiz 7.19:**

Is there any other way for the VAX/VMS DLM to emulate a reader-writer lock? ■

**Answer:**

There are in fact several. One way would be to use the null, protected-read, and exclusive modes. Another way would be to use the null, protected-read, and concurrent-write modes. A third way would be to use the null, concurrent-read, and exclusive modes.

**Quick Quiz 7.20:**

The code in Figure 7.15 is ridiculously complicated! Why not conditionally acquire a single global lock? ■

**Answer:**

Conditionally acquiring a single global lock does work very well, but only for relatively small numbers of CPUs. To see why it is problematic in systems with many hundreds of CPUs, look at Figure 5.3 and extrapolate the delay from eight to 1,000 CPUs.

**Quick Quiz 7.21:**

Wait a minute! If we “win” the tournament on line 16 of Figure 7.15, we get to do all the work of `do_force_quiescent_state()`. Exactly how is that a win, really? ■

**Answer:**

How indeed? This just shows that in concurrency, just as in life, one should take care to learn exactly what winning entails before playing the game.

**Quick Quiz 7.22:**

Why not rely on the C language’s default initialization of zero instead of using the explicit initializer shown on line 2 of Figure 7.16? ■

**Answer:**

Because this default initialization does not apply to locks allocated as auto variables within the scope of a function.

**Quick Quiz 7.23:**

Why bother with the inner loop on lines 7-8 of Figure 7.16? Why not simply repeatedly do the atomic exchange operation on line 6? ■

**Answer:**

Suppose that the lock is held and that several threads are attempting to acquire the lock. In this situation, if these threads all loop on the atomic exchange operation, they will ping-pong the cache line containing the lock among themselves, imposing load on the interconnect. In contrast, if these threads are spinning in the inner loop on lines 7-8, they will each spin within their own caches, putting negligible load on the interconnect.

**Quick Quiz 7.24:**

Why not simply store zero into the lock word on line 14 of Figure 7.16? ■

**Answer:**

This can be a legitimate implementation, but only if this store is preceded by a memory barrier and makes use of `ACCESS_ONCE()`. The memory barrier is not required when the `xchg()` operation is used because this operation implies a full memory barrier due to the fact that it returns a value.

**Quick Quiz 7.25:**

How can you tell if one counter is greater than another, while accounting for counter wrap? ■

**Answer:**

In the C language, the following macro correctly handles this:

```
#define ULONG_CMP_LT(a, b) \
    (ULONG_MAX / 2 < (a) - (b))
```

Although it is tempting to simply subtract two signed integers, this should be avoided because signed overflow is undefined in the C language. For example, if the compiler knows that one of the values is positive and the other negative, it is within its rights to simply assume that the positive number is greater than the negative number, even though subtracting the negative number from the positive number might well result in overflow and thus a negative number.

How could the compiler know the signs of the two numbers? It might be able to deduce it based on prior assignments and comparisons. In this case, if the per-CPU counters were signed, the compiler could deduce that they were always increasing in value, and then might assume that they would never go negative. This assumption could well lead the compiler to generate unfortunate code [McK12d, Reg10].

**Quick Quiz 7.26:**

Which is better, the counter approach or the flag approach? ■

**Answer:**

The flag approach will normally suffer fewer cache misses, but a better answer is to try both and see which works best for your particular workload.

**Quick Quiz 7.27:**

How can relying on implicit existence guarantees result in a bug? ■

**Answer:**

Here are some bugs resulting from improper use of implicit existence guarantees:

1. A program writes the address of a global variable to a file, then a later instance of that same program reads that address and attempts to dereference it. This can fail due to address-space randomization, to say nothing of recompilation of the program.
2. A module can record the address of one of its variables in a pointer located in some other module, then attempt to dereference that pointer after the module has been unloaded.
3. A function can record the address of one of its on-stack variables into a global pointer, which some other function might attempt to dereference after that function has returned.

I am sure that you can come up with additional possibilities.

**Quick Quiz 7.28:**

What if the element we need to delete is not the first element of the list on line 8 of Figure 7.17? ■

**Answer:**

This is a very simple hash table with no chaining, so the only element in a given bucket is the first element. The reader is invited to adapt this example to a hash table with full

chaining.

**Quick Quiz 7.29:**

What race condition can occur in Figure 7.17? ■

**Answer:**

Consider the following sequence of events:

1. Thread 0 invokes `delete(0)`, and reaches line 10 of the figure, acquiring the lock.
2. Thread 1 concurrently invokes `delete(0)`, reaching line 10, but spins on the lock because Thread 0 holds it.
3. Thread 0 executes lines 11-14, removing the element from the hashtable, releasing the lock, and then freeing the element.
4. Thread 0 continues execution, and allocates memory, getting the exact block of memory that it just freed.
5. Thread 0 then initializes this block of memory as some other type of structure.
6. Thread 1's `spin_lock()` operation fails due to the fact that what it believes to be `p->lock` is no longer a spinlock.

Because there is no existence guarantee, the identity of the data element can change while a thread is attempting to acquire that element's lock on line 10!

## F.8 Data Ownership

**Quick Quiz 8.1:**

What form of data ownership is extremely difficult to avoid when creating shared-memory parallel programs (for example, using `pthread`s) in C or C++? ■

**Answer:**

Use of auto variables in functions. By default, these are private to the thread executing the current function.

**Quick Quiz 8.2:**

What synchronization remains in the example shown in Section 8.1? ■

**Answer:**

The creation of the threads via the `sh &` operator and the joining of thread via the `sh wait` command.

Of course, if the processes explicitly share memory, for example, using the `shmget()` or `mmap()` system calls, explicit synchronization might well be needed when accessing or updating the shared memory. The processes might also synchronize using any of the following interprocess communications mechanisms:

1. System V semaphores.
2. System V message queues.
3. UNIX-domain sockets.
4. Networking protocols, including TCP/IP, UDP, and a whole host of others.
5. File locking.
6. Use of the `open ()` system call with the `O_CREAT` and `O_EXCL` flags.
7. Use of the `rename ()` system call.

A complete list of possible synchronization mechanisms is left as an exercise to the reader, who is warned that it will be an extremely long list. A surprising number of unassuming system calls can be pressed into service as synchronization mechanisms.

**Quick Quiz 8.3:**

Is there any shared data in the example shown in Section 8.1? ■

**Answer:**

That is a philosophical question.

Those wishing the answer “no” might argue that processes by definition do not share memory.

Those wishing to answer “yes” might list a large number of synchronization mechanisms that do not require shared memory, note that the kernel will have some shared state, and perhaps even argue that the assignment of process IDs (PIDs) constitute shared data.

Such arguments are excellent intellectual exercise, and are also a wonderful way of feeling intelligent, scoring points against hapless classmates or colleagues, and (especially!) avoiding getting anything useful done.

**Quick Quiz 8.4:**

Does it ever make sense to have partial data ownership where each thread reads only its own instance of a per-thread variable, but writes to other threads’ instances? ■

**Answer:**

Amazingly enough, yes. One example is a simple message-passing system where threads post messages to other threads’ mailboxes, and where each thread is responsible for removing any message it sent once that message has been acted on. Implementation of such an algorithm is left as an exercise for the reader, as is the task of identifying other algorithms with similar ownership patterns.

**Quick Quiz 8.5:**

What mechanisms other than POSIX signals may be used for function shipping? ■

**Answer:**

There is a very large number of such mechanisms, including:



1. System V message queues.
2. Shared-memory dequeue (see Section 6.1.2).
3. Shared-memory mailboxes.
4. UNIX-domain sockets.
5. TCP/IP or UDP, possibly augmented by any number of higher-level protocols, including RPC, HTTP, XML, SOAP, and so on.

Compilation of a complete list is left as an exercise to sufficiently single-minded readers, who are warned that the list will be extremely long.

#### Quick Quiz 8.6:

But none of the data in the `eventual()` function shown on lines 15-32 of Figure 5.8 is actually owned by the `eventual()` thread! In just what way is this data ownership???

■

#### Answer:

The key phrase is “owns the rights to the data”. In this case, the rights in question are the rights to access the per-thread `counter` variable defined on line 1 of the figure. This situation is similar to that described in Section 8.2.

However, there really is data that is owned by the `eventual()` thread, namely the `t` and `sum` variables defined on lines 17 and 18 of the figure.

For other examples of designated threads, look at the kernel threads in the Linux kernel, for example, those created by `kthread_create()` and `kthread_run()`.

#### Quick Quiz 8.7:

Is it possible to obtain greater accuracy while still maintaining full privacy of the per-thread data? ■

#### Answer:

Yes. One approach is for `read_count()` to add the value of its own per-thread variable. This maintains full ownership and performance, but only a slight improvement in accuracy, particularly on systems with very large numbers of threads.

Another approach is for `read_count()` to use function shipping, for example, in the form of per-thread signals. This greatly improves accuracy, but at a significant performance cost for `read_count()`.

However, both of these methods have the advantage of eliminating cache-line bouncing for the common case of updating counters.

## F.9 Deferred Processing

#### Quick Quiz 9.1:

Why not implement reference-acquisition using a simple compare-and-swap operation that only acquires a reference if the reference counter is non-zero? ■

**Answer:**

Although this can resolve the race between the release of the last reference and acquisition of a new reference, it does absolutely nothing to prevent the data structure from being freed and reallocated, possibly as some completely different type of structure. It is quite likely that the “simple compare-and-swap operation” would give undefined results if applied to the differently typed structure.

In short, use of atomic operations such as compare-and-swap absolutely requires either type-safety or existence guarantees.

**Quick Quiz 9.2:**

Why isn't it necessary to guard against cases where one CPU acquires a reference just after another CPU releases the last reference? ■

**Answer:**

Because a CPU must already hold a reference in order to legally acquire another reference. Therefore, if one CPU releases the last reference, there cannot possibly be any CPU that is permitted to acquire a new reference. This same fact allows the non-atomic check in line 22 of Figure 9.2.

**Quick Quiz 9.3:**

Suppose that just after the `atomic_sub_and_test()` on line 22 of Figure 9.2 is invoked, that some other CPU invokes `kref_get()`. Doesn't this result in that other CPU now having an illegal reference to a released object? ■

**Answer:**

This cannot happen if these functions are used correctly. It is illegal to invoke `kref_get()` unless you already hold a reference, in which case the `kref_sub()` could not possibly have decremented the counter to zero.

**Quick Quiz 9.4:**

Suppose that `kref_sub()` returns zero, indicating that the `release()` function was not invoked. Under what conditions can the caller rely on the continued existence of the enclosing object? ■

**Answer:**

The caller cannot rely on the continued existence of the object unless it knows that at least one reference will continue to exist. Normally, the caller will have no way of knowing this, and must therefore carefully avoid referencing the object after the call to `kref_sub()`.

**Quick Quiz 9.5:**

Why can't the check for a zero reference count be made in a simple “if” statement with an atomic increment in its “then” clause? ■

**Answer:**

Suppose that the “if” condition completed, finding the reference counter value equal to one. Suppose that a release operation executes, decrementing the reference counter to zero and therefore starting cleanup operations. But now the “then” clause can increment the counter back to a value of one, allowing the object to be used after it has been cleaned up.

**Quick Quiz 9.6:**

Why does `hp_store()` in Figure 9.5 take a double indirection to the data element? Why not `void *` instead of `void **`? ■

**Answer:**

Because `hp_record()` must check for concurrent modifications. To do that job, it needs a pointer to a pointer to the element, so that it can check for a modification to the pointer to the element.

**Quick Quiz 9.7:**

Why does `hp_store()`'s caller need to restart its traversal from the beginning in case of failure? Isn't that inefficient for large data structures? ■

**Answer:**

It might be inefficient in some sense, but the fact is that such restarting is absolutely required for correctness. To see this, consider a hazard-pointer-protected linked list containing elements A, B, and C that is subjecte to the following sequence of events:

1. Thread 0 stores a hazard pointer to element B (having presumably traversed to element B from element A).
2. Thread 1 removes element B from the list, which sets the pointer from element B to element C to a special `HAZPTR_POISON` value in order to mark the deletion. Because Thread 0 has a hazard pointer to element B, it cannot yet be freed.
3. Thread 1 removes element C from the list. Because there are no hazard pointers referencing element C, it is immediately freed.
4. Thread 0 attempts to acquire a hazard pointer to now-removed element B's successor, but sees the `HAZPTR_POISON` value, and thus returns zero, forcing the caller to restart its traversal from the beginning of the list.

Which is a very good thing, because otherwise Thread 0 would have attempted to access the now-freed element C, which might have resulted in arbitrarily horrible memory corruption, especially if the memory for element C had since been re-allocated for some other purpose.

**Quick Quiz 9.8:**

Given that papers on hazard pointers use the bottom bits of each pointer to mark deleted elements, what is up with `HAZPTR_POISON`? ■

**Answer:**

The published implementations of hazard pointers used non-blocking synchronization techniques for insertion and deletion. These techniques require that readers traversing the data structure “help” updaters complete their updates, which in turn means that readers need to look at the successor of a deleted element.

In contrast, we will be using locking to synchronize updates, which does away with the need for readers to help updaters complete their updates, which in turn allows us to leave pointers’ bottom bits alone. This approach allows read-side code to be simpler and faster.

**Quick Quiz 9.9:**

But don’t these restrictions on hazard pointers also apply to other forms of reference counting? ■

**Answer:**

These restrictions apply only to reference-counting mechanisms whose reference acquisition can fail.

**Quick Quiz 9.10:**

An `atomic_read()` and an `atomic_set()` that are non-atomic? Is this some kind of bad joke??? ■

**Answer:**

It might well seem that way, but in situations where no other CPU has access to the atomic variable in question, the overhead of an actual atomic instruction would be wasteful. Two examples where no other CPU has access are during initialization and cleanup.

**Quick Quiz 9.11:**

But hazard pointers don’t write to the data structure! ■

**Answer:**

Indeed, they do not. However, they do write to the hazard pointers themselves, and, more important, require that possible failures be handled for all `hp_store()` calls, each of which might fail. Therefore, although hazard pointers are extremely useful, it is still worth looking for improved mechanisms.

**Quick Quiz 9.12:**

Why isn’t this sequence-lock discussion in Chapter 7, you know, the one on *locking*? ■

**Answer:**

The sequence-lock mechanism is really a combination of two separate synchronization mechanisms, sequence counts and locking. In fact, the sequence-count mechanism is available separately in the Linux kernel via the `write_seqcount_begin()` and `write_seqcount_end()` primitives.

However, the combined `write_seqlock()` and `write_sequnlock()` primitives are used much more heavily in the Linux kernel. More importantly, many more people will understand what you mean if you say “sequence lock” than if you say “sequence count”.

So this section is entitled “Sequence Locks” so that people will understand what it is about just from the title, and it appears in the “Deferred Processing” because (1) of the emphasis on the “sequence count” aspect of “sequence locks” and (2) because a “sequence lock” is much more than merely a lock.

### Quick Quiz 9.13:

Can you use sequence locks as the only synchronization mechanism protecting a linked list supporting concurrent addition, deletion, and search? ■

#### Answer:

One trivial way of accomplishing this is to surround all accesses, including the read-only accesses, with `write_seqlock()` and `write_sequnlock()`. Of course, this solution also prohibits all read-side parallelism, and furthermore could just as easily be implemented using simple locking.

If you do come up with a solution that uses `read_seqbegin()` and `read_seqretry()` to protect read-side accesses, make sure that you correctly handle the following sequence of events:

1. CPU 0 is traversing the linked list, and picks up a pointer to list element A.
2. CPU 1 removes element A from the list and frees it.
3. CPU 2 allocates an unrelated data structure, and gets the memory formerly occupied by element A. In this unrelated data structure, the memory previously used for element A's `->next` pointer is now occupied by a floating-point number.
4. CPU 0 picks up what used to be element A's `->next` pointer, gets random bits, and therefore gets a segmentation fault.

One way to protect against this sort of problem requires use of “type-safe memory”, which will be discussed in Section 9.3.3.6. But in that case, you would be using some other synchronization mechanism in addition to sequence locks!

### Quick Quiz 9.14:

Why bother with the check on line 19 of `read_seqbegin()` in Figure 9.9? Given that a new writer could begin at any time, why not simply incorporate the check into line 31 of `read_seqretry()`? ■

#### Answer:

That would be a legitimate implementation. However, it would not save anything to move the check down to `read_seqretry()`: There would be roughly the same number of instructions. Furthermore, the reader's accesses from its doomed read-side critical section could inflict overhead on the writer in the form of cache misses. We can

avoid these cache misses by placing the check in `read_seqbegin()` as shown on line 19 of Figure 9.9.

**Quick Quiz 9.15:**

Why is the `smp_mb()` on line 29 of Figure 9.9 needed? ■

**Answer:**

If it was omitted, both the compiler and the CPU would be within their rights to move the critical section preceding the call to `read_seqretry()` down below this function. This would prevent the sequence lock from protecting the critical section. The `smp_mb()` primitive prevents such reordering.

**Quick Quiz 9.16:**

Can't weaker memory barriers be used in the code in Figure 9.9? ■

**Answer:**

In older versions of the Linux kernel, no.

In very new versions of the Linux kernel, line 17 could use `smp_load_acquire()` instead of `ACCESS_ONCE()`, which in turn would allow the `smp_mb()` on line 18 to be dropped. Similarly, line 44 could use an `smp_store_release()`, for example, as follows:

```
smp_store_release(&slp->seq, ACCESS_ONCE(slp->seq) + 1);
```

This would allow the `smp_mb()` on line 43 to be dropped.

**Quick Quiz 9.17:**

What prevents sequence-locking updaters from starving readers? ■

**Answer:**

Nothing. This is one of the weaknesses of sequence locking, and as a result, you should use sequence locking only in read-mostly situations. Unless of course read-side starvation is acceptable in your situation, in which case, go wild with the sequence-locking updates!

**Quick Quiz 9.18:**

What if something else serializes writers, so that the lock is not needed? ■

**Answer:**

In this case, the `->lock` field could be omitted, as it is in `seqcount_t` in the Linux kernel.

**Quick Quiz 9.19:**

Why isn't `seq` on line 2 of Figure 9.9 unsigned rather than unsigned long? After all, if unsigned is good enough for the Linux kernel, shouldn't it be good enough for everyone? ■

**Answer:**

Not at all. The Linux kernel has a number of special attributes that allow it to ignore the following sequence of events:

1. Thread 0 executes `read_seqbegin()`, picking up `->seq` in line 17, noting that the value is even, and thus returning to the caller.
2. Thread 0 starts executing its read-side critical section, but is then preempted for a long time.
3. Other threads repeatedly invoke `write_seqlock()` and `write_sequnlock()`, until the value of `->seq` overflows back to the value that Thread 0 fetched.
4. Thread 0 resumes execution, completing its read-side critical section with inconsistent data.
5. Thread 0 invokes `read_seqretry()`, which incorrectly concludes that Thread 0 has seen a consistent view of the data protected by the sequence lock.

The Linux kernel uses sequence locking for things that are updated rarely, with time-of-day information being a case in point. This information is updated at most once per millisecond, so that seven weeks would be required to overflow the counter. If a kernel thread was preempted for seven weeks, the Linux kernel's soft-lockup code would be emitting warnings every two minutes for that entire time.

In contrast, with a 64-bit counter, more than five centuries would be required to overflow, even given an update every *nanosecond*. Therefore, this implementation uses a type for `->seq` that is 64 bits on 64-bit systems.

**Quick Quiz 9.20:**

But doesn't Section 9.2's `seqlock` also permit readers and updaters to get work done concurrently? ■

**Answer:**

Yes and no. Although `seqlock` readers can run concurrently with `seqlock` writers, whenever this happens, the `read_seqretry()` primitive will force the reader to retry. This means that any work done by a `seqlock` reader running concurrently with a `seqlock` updater will be discarded and redone. So `seqlock` readers can *run* concurrently with updaters, but they cannot actually get any work done in this case.

In contrast, RCU readers can perform useful work even in presence of concurrent RCU updaters.

**Quick Quiz 9.21:**

What prevents the `list_for_each_entry_rcu()` from getting a segfault if it happens to execute at exactly the same time as the `list_add_rcu()`? ■

**Answer:**

On all systems running Linux, loads from and stores to pointers are atomic, that is, if a store to a pointer occurs at the same time as a load from that same pointer, the load will return either the initial value or the value stored, never some bitwise mashup of the two.

In addition, the `list_for_each_entry_rcu()` always proceeds forward through the list, never looking back. Therefore, the `list_for_each_entry_rcu()` will either see the element being added by `list_add_rcu()` or it will not, but either way, it will see a valid well-formed list.

**Quick Quiz 9.22:**

Why do we need to pass two pointers into `hlist_for_each_entry_rcu()` when only one is needed for `list_for_each_entry_rcu()`? ■

**Answer:**

Because in an hlist it is necessary to check for NULL rather than for encountering the head. (Try coding up a single-pointer `hlist_for_each_entry_rcu()` If you come up with a nice solution, it would be a very good thing!)

**Quick Quiz 9.23:**

How would you modify the deletion example to permit more than two versions of the list to be active? ■

**Answer:**

One way of accomplishing this is as shown in Figure F.4.

```
1 spin_lock(&mylock);
2 p = search(head, key);
3 if (p == NULL)
4     spin_unlock(&mylock);
5 else {
6     list_del_rcu(&p->list);
7     spin_unlock(&mylock);
8     synchronize_rcu();
9     kfree(p);
10 }
```

Figure F.4: Concurrent RCU Deletion

Note that this means that multiple concurrent deletions might be waiting in `synchronize_rcu()`.

**Quick Quiz 9.24:**

How many RCU versions of a given list can be active at any given time? ■

**Answer:**

That depends on the synchronization design. If a semaphore protecting the update is held across the grace period, then there can be at most two versions, the old and the new.

However, suppose that only the search, the update, and the `list_replace_rcu()` were protected by a lock, so that the `synchronize_rcu()` was outside of that lock, similar to the code shown in Figure F.4. Suppose further that a large number



of threads undertook an RCU replacement at about the same time, and that readers are also constantly traversing the data structure.

Then the following sequence of events could occur, starting from the end state of Figure 9.22:

1. Thread A traverses the list, obtaining a reference to the 5,2,3 element.
2. Thread B replaces the 5,2,3 element with a new 5,2,4 element, then waits for its `synchronize_rcu()` call to return.
3. Thread C traverses the list, obtaining a reference to the 5,2,4 element.
4. Thread D replaces the 5,2,4 element with a new 5,2,5 element, then waits for its `synchronize_rcu()` call to return.
5. Thread E traverses the list, obtaining a reference to the 5,2,5 element.
6. Thread F replaces the 5,2,5 element with a new 5,2,6 element, then waits for its `synchronize_rcu()` call to return.
7. Thread G traverses the list, obtaining a reference to the 5,2,6 element.
8. And the previous two steps repeat quickly, so that all of them happen before any of the `synchronize_rcu()` calls return.

Thus, there can be an arbitrary number of versions active, limited only by memory and by how many updates could be completed within a grace period. But please note that data structures that are updated so frequently probably are not good candidates for RCU. That said, RCU can handle high update rates when necessary.

### Quick Quiz 9.25:

How can RCU updaters possibly delay RCU readers, given that the `rcu_read_lock()` and `rcu_read_unlock()` primitives neither spin nor block? ■

#### Answer:

The modifications undertaken by a given RCU updater will cause the corresponding CPU to invalidate cache lines containing the data, forcing the CPUs running concurrent RCU readers to incur expensive cache misses. (Can you design an algorithm that changes a data structure *without* inflicting expensive cache misses on concurrent readers? On subsequent readers?)

### Quick Quiz 9.26:

WTF? How the heck do you expect me to believe that RCU has a 100-femtosecond overhead when the clock period at 3GHz is more than 300 *picoseconds*? ■

#### Answer:

First, consider that the inner loop used to take this measurement is as follows:

```
1 for (i = 0; i < CSCOUNT_SCALE; i++) {
2   rcu_read_lock();
3   rcu_read_unlock();
4 }
```

Next, consider the effective definitions of `rcu_read_lock()` and `rcu_read_unlock()`:

```
1 #define rcu_read_lock() do { } while (0)
2 #define rcu_read_unlock() do { } while (0)
```

Consider also that the compiler does simple optimizations, allowing it to replace the loop with:

```
i = CSCOUNT_SCALE;
```

So the “measurement” of 100 femtoseconds is simply the fixed overhead of the timing measurements divided by the number of passes through the inner loop containing the calls to `rcu_read_lock()` and `rcu_read_unlock()`. And therefore, this measurement really is in error, in fact, in error by an arbitrary number of orders of magnitude. As you can see by the definition of `rcu_read_lock()` and `rcu_read_unlock()` above, the actual overhead is precisely zero.

It certainly is not every day that a timing measurement of 100 femtoseconds turns out to be an overestimate!

#### **Quick Quiz 9.27:**

Why does both the variability and overhead of `rwlock` decrease as the critical-section overhead increases? ■

#### **Answer:**

Because the contention on the underlying `rwlock_t` decreases as the critical-section overhead increases. However, the `rwlock` overhead will not quite drop to that on a single CPU because of cache-thrashing overhead.

#### **Quick Quiz 9.28:**

Is there an exception to this deadlock immunity, and if so, what sequence of events could lead to deadlock? ■

#### **Answer:**

One way to cause a deadlock cycle involving RCU read-side primitives is via the following (illegal) sequence of statements:

```
idx = srcu_read_lock(&srcucb);
synchronize_srcu(&srcucb);
srcu_read_unlock(&srcucb, idx);
```

The `synchronize_srcu()` cannot return until all pre-existing SRCU read-side critical sections complete, but is enclosed in an SRCU read-side critical section that cannot complete until the `synchronize_srcu()` returns. The result is a classic self-deadlock—you get the same effect when attempting to write-acquire a reader-writer lock while read-holding it.

Note that this self-deadlock scenario does not apply to RCU Classic, because the context switch performed by the `synchronize_rcu()` would act as a quiescent state for this CPU, allowing a grace period to complete. However, this is if anything even worse, because data used by the RCU read-side critical section might be freed as a

result of the grace period completing.

In short, do not invoke synchronous RCU update-side primitives from within an RCU read-side critical section.

**Quick Quiz 9.29:**

Immunity to both deadlock and priority inversion??? Sounds too good to be true. Why should I believe that this is even possible? ■

**Answer:**

It really does work. After all, if it didn't work, the Linux kernel would not run.

**Quick Quiz 9.30:**

But wait! This is exactly the same code that might be used when thinking of RCU as a replacement for reader-writer locking! What gives? ■

**Answer:**

This is an effect of the Law of Toy Examples: beyond a certain point, the code fragments look the same. The only difference is in how we think about the code. However, this difference can be extremely important. For but one example of the importance, consider that if we think of RCU as a restricted reference counting scheme, we would never be fooled into thinking that the updates would exclude the RCU read-side critical sections.

It nevertheless is often useful to think of RCU as a replacement for reader-writer locking, for example, when you are replacing reader-writer locking with RCU.

**Quick Quiz 9.31:**

Why the dip in refcnt overhead near 6 CPUs? ■

**Answer:**

Most likely NUMA effects. However, there is substantial variance in the values measured for the refcnt line, as can be seen by the error bars. In fact, standard deviations range in excess of 10% of measured values in some cases. The dip in overhead therefore might well be a statistical aberration.

**Quick Quiz 9.32:**

What if the element we need to delete is not the first element of the list on line 9 of Figure 9.32? ■

**Answer:**

As with Figure 7.17, this is a very simple hash table with no chaining, so the only element in a given bucket is the first element. The reader is again invited to adapt this example to a hash table with full chaining.

**Quick Quiz 9.33:**

Why is it OK to exit the RCU read-side critical section on line 15 of Figure 9.32 before

releasing the lock on line 17? ■

**Answer:**

First, please note that the second check on line 14 is necessary because some other CPU might have removed this element while we were waiting to acquire the lock. However, the fact that we were in an RCU read-side critical section while acquiring the lock guarantees that this element could not possibly have been re-allocated and re-inserted into this hash table. Furthermore, once we acquire the lock, the lock itself guarantees the element's existence, so we no longer need to be in an RCU read-side critical section.

The question as to whether it is necessary to re-check the element's key is left as an exercise to the reader.

**Quick Quiz 9.34:**

Why not exit the RCU read-side critical section on line 23 of Figure 9.32 before releasing the lock on line 22? ■

**Answer:**

Suppose we reverse the order of these two lines. Then this code is vulnerable to the following sequence of events:

1. CPU 0 invokes `delete()`, and finds the element to be deleted, executing through line 15. It has not yet actually deleted the element, but is about to do so.
2. CPU 1 concurrently invokes `delete()`, attempting to delete this same element. However, CPU 0 still holds the lock, so CPU 1 waits for it at line 13.
3. CPU 0 executes lines 16 and 17, and blocks at line 18 waiting for CPU 1 to exit its RCU read-side critical section.
4. CPU 1 now acquires the lock, but the test on line 14 fails because CPU 0 has already removed the element. CPU 1 now executes line 22 (which we switched with line 23 for the purposes of this Quick Quiz) and exits its RCU read-side critical section.
5. CPU 0 can now return from `synchronize_rcu()`, and thus executes line 19, sending the element to the freelist.
6. CPU 1 now attempts to release a lock for an element that has been freed, and, worse yet, possibly reallocated as some other type of data structure. This is a fatal memory-corruption error.

**Quick Quiz 9.35:**

But what if there is an arbitrarily long series of RCU read-side critical sections in multiple threads, so that at any point in time there is at least one thread in the system executing in an RCU read-side critical section? Wouldn't that prevent any data from a `SLAB_DESTROY_BY_RCU` slab ever being returned to the system, possibly resulting in OOM events? ■

**Answer:**

```

1 struct profile_buffer {
2     long size;
3     atomic_t entry[0];
4 };
5 static struct profile_buffer *buf = NULL;
6
7 void nmi_profile(unsigned long pcvalue)
8 {
9     struct profile_buffer *p;
10
11     rcu_read_lock();
12     p = rcu_dereference(buf);
13     if (p == NULL) {
14         rcu_read_unlock();
15         return;
16     }
17     if (pcvalue >= p->size) {
18         rcu_read_unlock();
19         return;
20     }
21     atomic_inc(&p->entry[pcvalue]);
22     rcu_read_unlock();
23 }
24
25 void nmi_stop(void)
26 {
27     struct profile_buffer *p = buf;
28
29     if (p == NULL)
30         return;
31     rcu_assign_pointer(buf, NULL);
32     synchronize_rcu();
33     kfree(p);
34 }

```

Figure F.5: Using RCU to Wait for Mythical Preemptible NMIs to Finish

There could certainly be an arbitrarily long period of time during which at least one thread is always in an RCU read-side critical section. However, the key words in the description in Section 9.3.3.6 are “in-use” and “pre-existing”. Keep in mind that a given RCU read-side critical section is conceptually only permitted to gain references to data elements that were in use at the beginning of that critical section. Furthermore, remember that a slab cannot be returned to the system until all of its data elements have been freed, in fact, the RCU grace period cannot start until after they have all been freed.

Therefore, the slab cache need only wait for those RCU read-side critical sections that started before the freeing of the last element of the slab. This in turn means that any RCU grace period that begins after the freeing of the last element will do—the slab may be returned to the system after that grace period ends.

#### Quick Quiz 9.36:

Suppose that the `nmi_profile()` function was preemptible. What would need to change to make this example work correctly? ■

#### Answer:

One approach would be to use `rcu_read_lock()` and `rcu_read_unlock()` in `nmi_profile()`, and to replace the `synchronize_sched()` with `synchronize_rcu()`, perhaps as shown in Figure F.5.

**Quick Quiz 9.37:**

Why do some of the cells in Table 9.4 have exclamation marks (“!”)? ■

**Answer:**

The API members with exclamation marks (`rcu_read_lock()`, `rcu_read_unlock()`, and `call_rcu()`) were the only members of the Linux RCU API that Paul E. McKenney was aware of back in the mid-90s. During this timeframe, he was under the mistaken impression that he knew all that there is to know about RCU.

**Quick Quiz 9.38:**

How do you prevent a huge number of RCU read-side critical sections from indefinitely blocking a `synchronize_rcu()` invocation? ■

**Answer:**

There is no need to do anything to prevent RCU read-side critical sections from indefinitely blocking a `synchronize_rcu()` invocation, because the `synchronize_rcu()` invocation need wait only for *pre-existing* RCU read-side critical sections. So as long as each RCU read-side critical section is of finite duration, there should be no problem.

**Quick Quiz 9.39:**

The `synchronize_rcu()` API waits for all pre-existing interrupt handlers to complete, right? ■

**Answer:**

Absolutely not! And especially not when using preemptible RCU! You instead want `synchronize_irq()`. Alternatively, you can place calls to `rcu_read_lock()` and `rcu_read_unlock()` in the specific interrupt handlers that you want `synchronize_rcu()` to wait for.

**Quick Quiz 9.40:**

What happens if you mix and match? For example, suppose you use `rcu_read_lock()` and `rcu_read_unlock()` to delimit RCU read-side critical sections, but then use `call_rcu_bh()` to post an RCU callback? ■

**Answer:**

If there happened to be no RCU read-side critical sections delimited by `rcu_read_lock_bh()` and `rcu_read_unlock_bh()` at the time `call_rcu_bh()` was invoked, RCU would be within its rights to invoke the callback immediately, possibly freeing a data structure still being used by the RCU read-side critical section! This is not merely a theoretical possibility: a long-running RCU read-side critical section delimited by `rcu_read_lock()` and `rcu_read_unlock()` is vulnerable to this failure mode.

However, the `rcu_dereference()` family of functions apply to all flavors of RCU. (There was an attempt to have per-flavor variants of `rcu_dereference()`,

but it was just too messy.)

**Quick Quiz 9.41:**

Hardware interrupt handlers can be thought of as being under the protection of an implicit `rcu_read_lock_bh()`, right? ■

**Answer:**

Absolutely not! And especially not when using preemptible RCU! If you need to access “rcu\_bh”-protected data structures in an interrupt handler, you need to provide explicit calls to `rcu_read_lock_bh()` and `rcu_read_unlock_bh()`.

**Quick Quiz 9.42:**

What happens if you mix and match RCU Classic and RCU Sched? ■

**Answer:**

In a non-`PREEMPT` or a `PREEMPT` kernel, mixing these two works “by accident” because in those kernel builds, RCU Classic and RCU Sched map to the same implementation. However, this mixture is fatal in `PREEMPT_RT` builds using the `-rt` patchset, due to the fact that Realtime RCU’s read-side critical sections can be preempted, which would permit `synchronize_sched()` to return before the RCU read-side critical section reached its `rcu_read_unlock()` call. This could in turn result in a data structure being freed before the read-side critical section was finished with it, which could in turn greatly increase the actuarial risk experienced by your kernel.

In fact, the split between RCU Classic and RCU Sched was inspired by the need for preemptible RCU read-side critical sections.

**Quick Quiz 9.43:**

In general, you cannot rely on `synchronize_sched()` to wait for all pre-existing interrupt handlers, right? ■

**Answer:**

That is correct! Because `-rt` Linux uses threaded interrupt handlers, there can be context switches in the middle of an interrupt handler. Because `synchronize_sched()` waits only until each CPU has passed through a context switch, it can return before a given interrupt handler completes.

If you need to wait for a given interrupt handler to complete, you should instead use `synchronize_irq()` or place explicit RCU read-side critical sections in the interrupt handlers that you wish to wait on.

**Quick Quiz 9.44:**

Why do both SRCU and QRCU lack asynchronous `call_srcu()` or `call_qrcu()` interfaces? ■

**Answer:**

Given an asynchronous interface, a single task could register an arbitrarily large num-

ber of SRCU or QRCU callbacks, thereby consuming an arbitrarily large quantity of memory. In contrast, given the current synchronous `synchronize_srcu()` and `synchronize_qrcu()` interfaces, a given task must finish waiting for a given grace period before it can start waiting for the next one.

**Quick Quiz 9.45:**

Under what conditions can `synchronize_srcu()` be safely used within an SRCU read-side critical section? ■

**Answer:**

In principle, you can use `synchronize_srcu()` with a given `srcu_struct` within an SRCU read-side critical section that uses some other `srcu_struct`. In practice, however, doing this is almost certainly a bad idea. In particular, the code shown in Figure F.6 could still result in deadlock.

```
1 idx = srcu_read_lock(&ssa);
2 synchronize_srcu(&ssb);
3 srcu_read_unlock(&ssa, idx);
4
5 /* . . . */
6
7 idx = srcu_read_lock(&ssb);
8 synchronize_srcu(&ssa);
9 srcu_read_unlock(&ssb, idx);
```

Figure F.6: Multistage SRCU Deadlocks

**Quick Quiz 9.46:**

Why doesn't `list_del_rcu()` poison both the `next` and `prev` pointers? ■

**Answer:**

Poisoning the `next` pointer would interfere with concurrent RCU readers, who must use this pointer. However, RCU readers are forbidden from using the `prev` pointer, so it may safely be poisoned.

**Quick Quiz 9.47:**

Normally, any pointer subject to `rcu_dereference()` *must* always be updated using `rcu_assign_pointer()`. What is an exception to this rule? ■

**Answer:**

One such exception is when a multi-element linked data structure is initialized as a unit while inaccessible to other CPUs, and then a single `rcu_assign_pointer()` is used to plant a global pointer to this data structure. The initialization-time pointer assignments need not use `rcu_assign_pointer()`, though any such assignments that happen after the structure is globally visible *must* use `rcu_assign_pointer()`.



However, unless this initialization code is on an impressively hot code-path, it is probably wise to use `rcu_assign_pointer()` anyway, even though it is in theory unnecessary. It is all too easy for a “minor” change to invalidate your cherished assumptions about the initialization happening privately.

**Quick Quiz 9.48:**

Are there any downsides to the fact that these traversal and update primitives can be used with any of the RCU API family members? ■

**Answer:**

It can sometimes be difficult for automated code checkers such as “sparse” (or indeed for human beings) to work out which type of RCU read-side critical section a given RCU traversal primitive corresponds to. For example, consider the code shown in Figure F.7.

```
1 rcu_read_lock();
2 preempt_disable();
3 p = rcu_dereference(global_pointer);
4
5 /* . . . */
6
7 preempt_enable();
8 rcu_read_unlock();
```

Figure F.7: Diverse RCU Read-Side Nesting

Is the `rcu_dereference()` primitive in an RCU Classic or an RCU Sched critical section? What would you have to do to figure this out?

**Quick Quiz 9.49:**

Why wouldn't any deadlock in the RCU implementation in Figure 9.36 also be a deadlock in any other RCU implementation? ■

**Answer:**

Suppose the functions `foo()` and `bar()` in Figure F.8 are invoked concurrently from different CPUs. Then `foo()` will acquire `my_lock()` on line 3, while `bar()` will acquire `rcu_gp_lock` on line 13. When `foo()` advances to line 4, it will attempt to acquire `rcu_gp_lock`, which is held by `bar()`. Then when `bar()` advances to line 14, it will attempt to acquire `my_lock`, which is held by `foo()`.

Each function is then waiting for a lock that the other holds, a classic deadlock.

Other RCU implementations neither spin nor block in `rcu_read_lock()`, hence avoiding deadlocks.

**Quick Quiz 9.50:**

Why not simply use reader-writer locks in the RCU implementation in Figure 9.36 in order to allow RCU readers to proceed in parallel? ■

```

1 void foo(void)
2 {
3   spin_lock(&my_lock);
4   rcu_read_lock();
5   do_something();
6   rcu_read_unlock();
7   do_something_else();
8   spin_unlock(&my_lock);
9 }
10
11 void bar(void)
12 {
13   rcu_read_lock();
14   spin_lock(&my_lock);
15   do_some_other_thing();
16   spin_unlock(&my_lock);
17   do_whatever();
18   rcu_read_unlock();
19 }

```

Figure F.8: Deadlock in Lock-Based RCU Implementation

**Answer:**

One could in fact use reader-writer locks in this manner. However, textbook reader-writer locks suffer from memory contention, so that the RCU read-side critical sections would need to be quite long to actually permit parallel execution [McK03].

On the other hand, use of a reader-writer lock that is read-acquired in `rcu_read_lock()` would avoid the deadlock condition noted above.

**Quick Quiz 9.51:**

Wouldn't it be cleaner to acquire all the locks, and then release them all in the loop from lines 15-18 of Figure 9.37? After all, with this change, there would be a point in time when there were no readers, simplifying things greatly. ■

**Answer:**

Making this change would re-introduce the deadlock, so no, it would not be cleaner.

**Quick Quiz 9.52:**

Is the implementation shown in Figure 9.37 free from deadlocks? Why or why not? ■

**Answer:**

One deadlock is where a lock is held across `synchronize_rcu()`, and that same lock is acquired within an RCU read-side critical section. However, this situation could deadlock any correctly designed RCU implementation. After all, the `synchronize_rcu()` primitive must wait for all pre-existing RCU read-side critical sections to complete, but if one of those critical sections is spinning on a lock held by the thread executing the `synchronize_rcu()`, we have a deadlock inherent in the definition of RCU.

Another deadlock happens when attempting to nest RCU read-side critical sections. This deadlock is peculiar to this implementation, and might be avoided by using recursive locks, or by using reader-writer locks that are read-acquired by `rcu_read_lock()`

and write-acquired by `synchronize_rcu()`.

However, if we exclude the above two cases, this implementation of RCU does not introduce any deadlock situations. This is because only time some other thread's lock is acquired is when executing `synchronize_rcu()`, and in that case, the lock is immediately released, prohibiting a deadlock cycle that does not involve a lock held across the `synchronize_rcu()` which is the first case above.

**Quick Quiz 9.53:**

Isn't one advantage of the RCU algorithm shown in Figure 9.37 that it uses only primitives that are widely available, for example, in POSIX pthreads? ■

**Answer:**

This is indeed an advantage, but do not forget that `rcu_dereference()` and `rcu_assign_pointer()` are still required, which means *volatile* manipulation for `rcu_dereference()` and memory barriers for `rcu_assign_pointer()`. Of course, many Alpha CPUs require memory barriers for both primitives.

**Quick Quiz 9.54:**

But what if you hold a lock across a call to `synchronize_rcu()`, and then acquire that same lock within an RCU read-side critical section? ■

**Answer:**

Indeed, this would deadlock any legal RCU implementation. But is `rcu_read_lock()` *really* participating in the deadlock cycle? If you believe that it is, then please ask yourself this same question when looking at the RCU implementation in Section 9.3.5.9.

**Quick Quiz 9.55:**

How can the grace period possibly elapse in 40 nanoseconds when `synchronize_rcu()` contains a 10-millisecond delay? ■

**Answer:**

The update-side test was run in absence of readers, so the `poll()` system call was never invoked. In addition, the actual code has this `poll()` system call commented out, the better to evaluate the true overhead of the update-side code. Any production uses of this code would be better served by using the `poll()` system call, but then again, production uses would be even better served by other implementations shown later in this section.

**Quick Quiz 9.56:**

Why not simply make `rcu_read_lock()` wait when a concurrent `synchronize_rcu()` has been waiting too long in the RCU implementation in Figure 9.38? Wouldn't that prevent `synchronize_rcu()` from starving? ■

**Answer:**

Although this would in fact eliminate the starvation, it would also mean that `rcu_read_lock()` would spin or block waiting for the writer, which is in turn waiting on readers. If one of these readers is attempting to acquire a lock that the spinning/blocking `rcu_read_lock()` holds, we again have deadlock.

In short, the cure is worse than the disease. See Section 9.3.5.4 for a proper cure.

**Quick Quiz 9.57:**

Why the memory barrier on line 5 of `synchronize_rcu()` in Figure 9.41 given that there is a spin-lock acquisition immediately after? ■

**Answer:**

The spin-lock acquisition only guarantees that the spin-lock's critical section will not "bleed out" to precede the acquisition. It in no way guarantees that code preceding the spin-lock acquisition won't be reordered into the critical section. Such reordering could cause a removal from an RCU-protected list to be reordered to follow the complementing of `rcu_idx`, which could allow a newly starting RCU read-side critical section to see the recently removed data element.

Exercise for the reader: use a tool such as Promela/spin to determine which (if any) of the memory barriers in Figure 9.41 are really needed. See Section 12 for information on using these tools. The first correct and complete response will be credited.

**Quick Quiz 9.58:**

Why is the counter flipped twice in Figure 9.41? Shouldn't a single flip-and-wait cycle be sufficient? ■

**Answer:**

Both flips are absolutely required. To see this, consider the following sequence of events:

1. Line 8 of `rcu_read_lock()` in Figure 9.40 picks up `rcu_idx`, finding its value to be zero.
2. Line 8 of `synchronize_rcu()` in Figure 9.41 complements the value of `rcu_idx`, setting its value to one.
3. Lines 10-13 of `synchronize_rcu()` find that the value of `rcu_refcnt[0]` is zero, and thus returns. (Recall that the question is asking what happens if lines 14-20 are omitted.)
4. Lines 9 and 10 of `rcu_read_lock()` store the value zero to this thread's instance of `rcu_read_idx` and increments `rcu_refcnt[0]`, respectively. Execution then proceeds into the RCU read-side critical section.
5. Another instance of `synchronize_rcu()` again complements `rcu_idx`, this time setting its value to zero. Because `rcu_refcnt[1]` is zero, `synchronize_rcu()` returns immediately. (Recall that `rcu_read_lock()` incremented `rcu_refcnt[0]`, not `rcu_refcnt[1]`!)
6. The grace period that started in step 5 has been allowed to end, despite the fact that the RCU read-side critical section that started beforehand in step 4 has not

completed. This violates RCU semantics, and could allow the update to free a data element that the RCU read-side critical section was still referencing.

Exercise for the reader: What happens if `rcu_read_lock()` is preempted for a very long time (hours!) just after line 8? Does this implementation operate correctly in that case? Why or why not? The first correct and complete response will be credited.

**Quick Quiz 9.59:**

Given that atomic increment and decrement are so expensive, why not just use non-atomic increment on line 10 and a non-atomic decrement on line 25 of Figure 9.40? ■

**Answer:**

Using non-atomic operations would cause increments and decrements to be lost, in turn causing the implementation to fail. See Section 9.3.5.5 for a safe way to use non-atomic operations in `rcu_read_lock()` and `rcu_read_unlock()`.

**Quick Quiz 9.60:**

Come off it! We can see the `atomic_read()` primitive in `rcu_read_lock()!!!` So why are you trying to pretend that `rcu_read_lock()` contains no atomic operations?? ■

**Answer:**

The `atomic_read()` primitives does not actually execute atomic machine instructions, but rather does a normal load from an `atomic_t`. Its sole purpose is to keep the compiler's type-checking happy. If the Linux kernel ran on 8-bit CPUs, it would also need to prevent "store tearing", which could happen due to the need to store a 16-bit pointer with two eight-bit accesses on some 8-bit systems. But thankfully, it seems that no one runs Linux on 8-bit systems.

**Quick Quiz 9.61:**

Great, if we have  $N$  threads, we can have  $2N$  ten-millisecond waits (one set per `flip_counter_and_wait()` invocation, and even that assumes that we wait only once for each thread. Don't we need the grace period to complete *much* more quickly? ■

**Answer:**

Keep in mind that we only wait for a given thread if that thread is still in a pre-existing RCU read-side critical section, and that waiting for one hold-out thread gives all the other threads a chance to complete any pre-existing RCU read-side critical sections that they might still be executing. So the only way that we would wait for  $2N$  intervals would be if the last thread still remained in a pre-existing RCU read-side critical section despite all the waiting for all the prior threads. In short, this implementation will not wait unnecessarily.

However, if you are stress-testing code that uses RCU, you might want to comment out the `poll()` statement in order to better catch bugs that incorrectly retain a reference to an RCU-protected data element outside of an RCU read-side critical section.

**Quick Quiz 9.62:**

All of these toy RCU implementations have either atomic operations in `rcu_read_lock()` and `rcu_read_unlock()`, or `synchronize_rcu()` overhead that increases linearly with the number of threads. Under what circumstances could an RCU implementation enjoy light-weight implementations for all three of these primitives, all having deterministic ( $O(1)$ ) overheads and latencies? ■

**Answer:**

Special-purpose uniprocessor implementations of RCU can attain this ideal [McK09c].

**Quick Quiz 9.63:**

If any even value is sufficient to tell `synchronize_rcu()` to ignore a given task, why don't lines 10 and 11 of Figure 9.49 simply assign zero to `rcu_reader_gp`? ■

**Answer:**

Assigning zero (or any other even-numbered constant) would in fact work, but assigning the value of `rcu_gp_ctr` can provide a valuable debugging aid, as it gives the developer an idea of when the corresponding thread last exited an RCU read-side critical section.

**Quick Quiz 9.64:**

Why are the memory barriers on lines 19 and 31 of Figure 9.49 needed? Aren't the memory barriers inherent in the locking primitives on lines 20 and 30 sufficient? ■

**Answer:**

These memory barriers are required because the locking primitives are only guaranteed to confine the critical section. The locking primitives are under absolutely no obligation to keep other code from bleeding in to the critical section. The pair of memory barriers are therefore required to prevent this sort of code motion, whether performed by the compiler or by the CPU.

**Quick Quiz 9.65:**

Couldn't the update-side batching optimization described in Section 9.3.5.6 be applied to the implementation shown in Figure 9.49? ■

**Answer:**

Indeed it could, with a few modifications. This work is left as an exercise for the reader.

**Quick Quiz 9.66:**

Is the possibility of readers being preempted in lines 3-4 of Figure 9.49 a real problem, in other words, is there a real sequence of events that could lead to failure? If not, why not? If so, what is the sequence of events, and how can the failure be addressed? ■

**Answer:**

It is a real problem, there is a sequence of events leading to failure, and there are a

number of possible ways of addressing it. For more details, see the Quick Quizzes near the end of Section 9.3.5.8. The reason for locating the discussion there is to (1) give you more time to think about it, and (2) because the nesting support added in that section greatly reduces the time required to overflow the counter.

**Quick Quiz 9.67:**

Why not simply maintain a separate per-thread nesting-level variable, as was done in previous section, rather than having all this complicated bit manipulation? ■

**Answer:**

The apparent simplicity of the separate per-thread variable is a red herring. This approach incurs much greater complexity in the guise of careful ordering of operations, especially if signal handlers are to be permitted to contain RCU read-side critical sections. But don't take my word for it, code it up and see what you end up with!

**Quick Quiz 9.68:**

Given the algorithm shown in Figure 9.51, how could you double the time required to overflow the global `rcu_gp_ctr`? ■

**Answer:**

One way would be to replace the magnitude comparison on lines 33 and 34 with an inequality check of the per-thread `rcu_reader_gp` variable against `rcu_gp_ctr+RCU_GP_CTR_BOTTOM_BIT`.

**Quick Quiz 9.69:**

Again, given the algorithm shown in Figure 9.51, is counter overflow fatal? Why or why not? If it is fatal, what can be done to fix it? ■

**Answer:**

It can indeed be fatal. To see this, consider the following sequence of events:

1. Thread 0 enters `rcu_read_lock()`, determines that it is not nested, and therefore fetches the value of the global `rcu_gp_ctr`. Thread 0 is then preempted for an extremely long time (before storing to its per-thread `rcu_reader_gp` variable).
2. Other threads repeatedly invoke `synchronize_rcu()`, so that the new value of the global `rcu_gp_ctr` is now `RCU_GP_CTR_BOTTOM_BIT` less than it was when thread 0 fetched it.
3. Thread 0 now starts running again, and stores into its per-thread `rcu_reader_gp` variable. The value it stores is `RCU_GP_CTR_BOTTOM_BIT+1` greater than that of the global `rcu_gp_ctr`.
4. Thread 0 acquires a reference to RCU-protected data element A.
5. Thread 1 now removes the data element A that thread 0 just acquired a reference to.

6. Thread 1 invokes `synchronize_rcu()`, which increments the global `rcu_gp_ctr` by `RCU_GP_CTR_BOTTOM_BIT`. It then checks all of the per-thread `rcu_reader_gp` variables, but thread 0's value (incorrectly) indicates that it started after thread 1's call to `synchronize_rcu()`, so thread 1 does not wait for thread 0 to complete its RCU read-side critical section.
7. Thread 1 then frees up data element A, which thread 0 is still referencing.

Note that scenario can also occur in the implementation presented in Section 9.3.5.7.

One strategy for fixing this problem is to use 64-bit counters so that the time required to overflow them would exceed the useful lifetime of the computer system. Note that non-antique members of the 32-bit x86 CPU family allow atomic manipulation of 64-bit counters via the `cmpxchg64b` instruction.

Another strategy is to limit the rate at which grace periods are permitted to occur in order to achieve a similar effect. For example, `synchronize_rcu()` could record the last time that it was invoked, and any subsequent invocation would then check this time and block as needed to force the desired spacing. For example, if the low-order four bits of the counter were reserved for nesting, and if grace periods were permitted to occur at most ten times per second, then it would take more than 300 days for the counter to overflow. However, this approach is not helpful if there is any possibility that the system will be fully loaded with CPU-bound high-priority real-time threads for the full 300 days. (A remote possibility, perhaps, but best to consider it ahead of time.)

A third approach is to administratively abolish real-time threads from the system in question. In this case, the preempted process will age up in priority, thus getting to run long before the counter had a chance to overflow. Of course, this approach is less than helpful for real-time applications.

A final approach would be for `rcu_read_lock()` to recheck the value of the global `rcu_gp_ctr` after storing to its per-thread `rcu_reader_gp` counter, retrying if the new value of the global `rcu_gp_ctr` is inappropriate. This works, but introduces non-deterministic execution time into `rcu_read_lock()`. On the other hand, if your application is being preempted long enough for the counter to overflow, you have no hope of deterministic execution time in any case!

#### **Quick Quiz 9.70:**

Doesn't the additional memory barrier shown on line 14 of Figure 9.53, greatly increase the overhead of `rcu_quiescent_state`? ■

#### **Answer:**

Indeed it does! An application using this implementation of RCU should therefore invoke `rcu_quiescent_state` sparingly, instead using `rcu_read_lock()` and `rcu_read_unlock()` most of the time.

However, this memory barrier is absolutely required so that other threads will see the store on lines 12-13 before any subsequent RCU read-side critical sections executed by the caller.

#### **Quick Quiz 9.71:**

Why are the two memory barriers on lines 19 and 22 of Figure 9.53 needed? ■



**Answer:**

The memory barrier on line 19 prevents any RCU read-side critical sections that might precede the call to `rcu_thread_offline()` won't be reordered by either the compiler or the CPU to follow the assignment on lines 20-21. The memory barrier on line 22 is, strictly speaking, unnecessary, as it is illegal to have any RCU read-side critical sections following the call to `rcu_thread_offline()`.

**Quick Quiz 9.72:**

To be sure, the clock frequencies of Power systems in 2008 were quite high, but even a 5GHz clock frequency is insufficient to allow loops to be executed in 50 picoseconds! What is going on here? ■

**Answer:**

Since the measurement loop contains a pair of empty functions, the compiler optimizes it away. The measurement loop takes 1,000 passes between each call to `rcu_quiescent_state()`, so this measurement is roughly one thousandth of the overhead of a single call to `rcu_quiescent_state()`.

**Quick Quiz 9.73:**

Why would the fact that the code is in a library make any difference for how easy it is to use the RCU implementation shown in Figures 9.53 and 9.54? ■

**Answer:**

A library function has absolutely no control over the caller, and thus cannot force the caller to invoke `rcu_quiescent_state()` periodically. On the other hand, a library function that made many references to a given RCU-protected data structure might be able to invoke `rcu_thread_online()` upon entry, `rcu_quiescent_state()` periodically, and `rcu_thread_offline()` upon exit.

**Quick Quiz 9.74:**

But what if you hold a lock across a call to `synchronize_rcu()`, and then acquire that same lock within an RCU read-side critical section? This should be a deadlock, but how can a primitive that generates absolutely no code possibly participate in a deadlock cycle? ■

**Answer:**

Please note that the RCU read-side critical section is in effect extended beyond the enclosing `rcu_read_lock()` and `rcu_read_unlock()`, out to the previous and next call to `rcu_quiescent_state()`. This `rcu_quiescent_state` can be thought of as a `rcu_read_unlock()` immediately followed by an `rcu_read_lock()`.

Even so, the actual deadlock itself will involve the lock acquisition in the RCU read-side critical section and the `synchronize_rcu()`, never the `rcu_quiescent_state()`.

**Quick Quiz 9.75:**

Given that grace periods are prohibited within RCU read-side critical sections, how can an RCU data structure possibly be updated while in an RCU read-side critical section? ■

**Answer:**

This situation is one reason for the existence of asynchronous grace-period primitives such as `call_rcu()`. This primitive may be invoked within an RCU read-side critical section, and the specified RCU callback will in turn be invoked at a later time, after a grace period has elapsed.

The ability to perform an RCU update while within an RCU read-side critical section can be extremely convenient, and is analogous to a (mythical) unconditional read-to-write upgrade for reader-writer locking.

**Quick Quiz 9.76:**

The statistical-counter implementation shown in Figure 5.9 (`count_end.c`) used a global lock to guard the summation in `read_count()`, which resulted in poor performance and negative scalability. How could you use RCU to provide `read_count()` with excellent performance and good scalability. (Keep in mind that `read_count()`'s scalability will necessarily be limited by its need to scan all threads' counters.) ■

**Answer:**

Hint: place the global variable `finalcount` and the array `counterp[]` into a single RCU-protected struct. At initialization time, this structure would be allocated and set to all zero and NULL.

The `inc_count()` function would be unchanged.

The `read_count()` function would use `rcu_read_lock()` instead of acquiring `final_mutex`, and would need to use `rcu_dereference()` to acquire a reference to the current structure.

The `count_register_thread()` function would set the array element corresponding to the newly created thread to reference that thread's per-thread `counter` variable.

The `count_unregister_thread()` function would need to allocate a new structure, acquire `final_mutex`, copy the old structure to the new one, add the outgoing thread's `counter` variable to the total, NULL the pointer to this same `counter` variable, use `rcu_assign_pointer()` to install the new structure in place of the old one, release `final_mutex`, wait for a grace period, and finally free the old structure.

Does this really work? Why or why not?

See Section 13.2.1 on page 344 for more details.

**Quick Quiz 9.77:**

Section 5.5 showed a fanciful pair of code fragments that dealt with counting I/O accesses to removable devices. These code fragments suffered from high overhead on the fastpath (starting an I/O) due to the need to acquire a reader-writer lock. How would you use RCU to provide excellent performance and scalability? (Keep in mind that the performance of the common-case first code fragment that does I/O accesses is much more important than that of the device-removal code fragment.) ■

**Answer:**

Hint: replace the read-acquisitions of the reader-writer lock with RCU read-side critical sections, then adjust the device-removal code fragment to suit.

See Section 13.2.2 on Page 347 for one solution to this problem.

**Quick Quiz 9.78:**

But can't both reference counting and hazard pointers can also acquire a reference to multiple data elements with constant overhead? A single reference count can cover multiple data elements, right? ■

**Answer:**

Almost. As we will see in the "Unconditional Acquisition" column, neither reference counting nor hazard pointers provide unconditional acquisition of references, so acquiring a reference can have non-constant overhead in the face of conflicting updates.

In addition, using a single reference count to cover multiple data items can have severe consequences, for example, you cannot remove any of the data items until all references to all of them have been released. This can result in more complex data-element-cleanup code, and can also increase memory footprint to rival that of RCU. In other words, the increased memory footprint is a consequence not of RCU in particular, but of bulk reference-count acquisition in general.

## F.10 Data Structures

**Quick Quiz 10.1:**

But there are many types of hash tables, of which the chained hash tables described here are but one type. Why the focus on chained hash tables? ■

**Answer:**

Chained hash tables are completely partitionable, and thus well-suited to concurrent use. There are other completely-partitionable hash tables, for example, split-ordered list [SS06], but they are considerably more complex. We therefore start with chained hash tables.

**Quick Quiz 10.2:**

But isn't the double comparison on lines 15-18 in Figure 10.4 inefficient in the case where the key fits into an unsigned long? ■

**Answer:**

Indeed it is! However, hash tables quite frequently store information with keys such as character strings that do not necessarily fit into an unsigned long. Simplifying the hash-table implementation for the case where keys always fit into unsigned longs is left as an exercise for the reader.

**Quick Quiz 10.3:**

Instead of simply increasing the number of hash buckets, wouldn't it be better to cache-align the existing hash buckets? ■

**Answer:**

The answer depends on a great many things. If the hash table has a large number of elements per bucket, it would clearly be better to increase the number of hash buckets. On the other hand, if the hash table is lightly loaded, the answer depends on the hardware, the effectiveness of the hash function, and the workload. Interested readers are encouraged to experiment.

**Quick Quiz 10.4:**

Given the negative scalability of the Schrödinger's Zoo application across sockets, why not just run multiple copies of the application, with each copy having a subset of the animals and confined to run on a single socket? ■

**Answer:**

You can do just that! In fact, you can extend this idea to large clustered systems, running one copy of the application on each node of the cluster. This practice is called "sharding", and is heavily used in practice by large web-based retailers [DHJ<sup>+</sup>07].

However, if you are going to shard on a per-socket basis within a multsocket system, why not buy separate smaller and cheaper single-socket systems, and then run one shard of the database on each of those systems?

**Quick Quiz 10.5:**

But if elements in a hash table can be deleted concurrently with lookups, doesn't that mean that a lookup could return a reference to a data element that was deleted immediately after it was looked up? ■

**Answer:**

Yes it can! This is why `hashtab_lookup()` must be invoked within an RCU read-side critical section, and it is why `hashtab_add()` and `hashtab_del()` must also use RCU-aware list-manipulation primitives. Finally, this is why the caller of `hashtab_del()` must wait for a grace period (e.g., by calling `synchronize_rcu()`) before freeing the deleted element.

**Quick Quiz 10.6:**

The dangers of extrapolating from eight CPUs to 60 CPUs was made quite clear in Section 10.2.3. But why should extrapolating up from 60 CPUs be any safer? ■

**Answer:**

It isn't any safer, and a useful exercise would be to run these programs on larger systems. That said, other testing has shown that RCU read-side primitives offer consistent performance and scalability up to at least 1024 CPUs.

**Quick Quiz 10.7:**

The code in Figure 10.25 computes the hash twice! Why this blatant inefficiency? ■

**Answer:**

The reason is that the old and new hash tables might have completely different hash functions, so that a hash computed for the old table might be completely irrelevant to the new table.

**Quick Quiz 10.8:**

How does the code in Figure 10.25 protect against the resizing process progressing past the selected bucket? ■

**Answer:**

It does not provide any such protection. That is instead the job of the update-side concurrency-control functions described next.

**Quick Quiz 10.9:**

The code in Figures 10.25 and 10.26 compute the hash and execute the bucket-selection logic twice for updates! Why this blatant inefficiency? ■

**Answer:**

This approach allows the `hashtorture.h` testing infrastructure to be reused. That said, a production-quality resizable hash table would likely be optimized to avoid this double computation. Carrying out this optimization is left as an exercise for the reader.

**Quick Quiz 10.10:**

Suppose that one thread is inserting an element into the new hash table during a resize operation. What prevents this insertion to be lost due to a subsequent resize operation completing before the insertion does? ■

**Answer:**

The second resize operation will not be able to move beyond the bucket into which the insertion is taking place due to the insertion holding the lock on one of the hash buckets in the new hash table (the second hash table of three in this example). Furthermore, the insertion operation takes place within an RCU read-side critical section. As we will see when we examine the `hashtab_resize()` function, this means that the first resize operation will use `synchronize_rcu()` to wait for the insertion's read-side critical section to complete.

**Quick Quiz 10.11:**

In the `hashtab_lookup()` function in Figure 10.27, the code carefully finds the right bucket in the new hash table if the element to be looked up has already been distributed by a concurrent resize operation. This seems wasteful for RCU-protected lookups. Why not just stick with the old hash table in this case? ■

**Answer:**

Suppose that a resize operation begins and distributes half of the old table's buckets to the new table. Suppose further that a thread adds a new element that goes into one of the already-distributed buckets, and that this same thread now looks up this newly added element. If lookups unconditionally traversed only the old hash table, this thread would get a lookup failure for the element that it just added, which certainly sounds like a bug to me!

**Quick Quiz 10.12:**

The `hashtab_del()` function in Figure 10.27 does not always remove the element from the old hash table. Doesn't this mean that readers might access this newly removed element after it has been freed? ■

**Answer:**

No. The `hashtab_del()` function omits removing the element from the old hash table only if the resize operation has already progressed beyond the bucket containing the just-deleted element. But this means that new `hashtab_lookup()` operations will use the new hash table when looking up that element. Therefore, only old `hashtab_lookup()` operations that started before the `hashtab_del()` might encounter the newly removed element. This means that `hashtab_del()` need only wait for an RCU grace period to avoid inconveniencing `hashtab_lookup()` operations.

**Quick Quiz 10.13:**

In the `hashtab_resize()` function in Figure 10.27, what guarantees that the update to `->ht_new` on line 29 will be seen as happening before the update to `->ht_resize_cur` on line 36 from the perspective of `hashtab_lookup()`, `hashtab_add()`, and `hashtab_del()`? ■

**Answer:**

The `synchronize_rcu()` on line 30 of Figure 10.27 ensures that all pre-existing RCU readers have completed between the time that we install the new hash-table reference on line 29 and the time that we update `->ht_resize_cur` on line 36. This means that any reader that sees a non-negative value of `->ht_resize_cur` cannot have started before the assignment to `->ht_new`, and thus must be able to see the reference to the new hash table.

**Quick Quiz 10.14:**

Couldn't the `hashtorture.h` code be modified to accommodate a version of `hashtab_lock_mod()` that subsumes the `ht_get_bucket()` functionality? ■

**Answer:**

It probably could, and doing so would benefit all of the per-bucket-locked hash tables presented in this chapter. Making this modification is left as an exercise for the reader.

**Quick Quiz 10.15:**

How much do these specializations really save? Are they really worth it? ■

**Answer:**

The answer to the first question is left as an exercise to the reader. Try specializing the resizable hash table and see how much performance improvement results. The second question cannot be answered in general, but must instead be answered with respect to a specific use case. Some use cases are extremely sensitive to performance and scalability, while others are less so.

## F.11 Validation

**Quick Quiz 11.1:**

When in computing is the willingness to follow a fragmentary plan critically important? ■

**Answer:**

There are any number of situations, but perhaps the most important situation is when no one has ever created anything resembling the program to be developed. In this case, the only way to create a credible plan is to implement the program, create the plan, and implement it a second time. But whoever implements the program for the first time has no choice but to follow a fragmentary plan because any detailed plan created in ignorance cannot survive first contact with the real world.

And perhaps this is one reason why evolution has favored insanely optimistic human beings who are happy to follow fragmentary plans!

**Quick Quiz 11.2:**

Suppose that you are writing a script that processes the output of the `time` command, which looks as follows:

```
real    0m0.132s
user    0m0.040s
sys     0m0.008s
```

The script is required to check its input for errors, and to give appropriate diagnostics if fed erroneous `time` output. What test inputs should you provide to this program to test it for use with `time` output generated by single-threaded programs? ■

**Answer:**

1. Do you have a test case in which all the time is consumed in user mode by a CPU-bound program?
2. Do you have a test case in which all the time is consumed in system mode by a CPU-bound program?
3. Do you have a test case in which all three times are zero?

4. Do you have a test case in which the “user” and “sys” times sum to more than the “real” time? (This would of course be completely legitimate in a multithreaded program.)
5. Do you have a set of tests cases in which one of the times uses more than one second?
6. Do you have a set of tests cases in which one of the times uses more than ten second?
7. Do you have a set of test cases in which one of the times has non-zero minutes? (For example, “15m36.342s”.)
8. Do you have a set of test cases in which one of the times has a seconds value of greater than 60?
9. Do you have a set of test cases in which one of the times overflows 32 bits of milliseconds? 64 bits of milliseconds?
10. Do you have a set of test cases in which one of the times is negative?
11. Do you have a set of test cases in which one of the times has a positive minutes value but a negative seconds value?
12. Do you have a set of test cases in which one of the times omits the “m” or the “s”?
13. Do you have a set of test cases in which one of the times is non-numeric? (For example, “Go Fish”.)
14. Do you have a set of test cases in which one of the lines is omitted? (For example, where there is a “real” value and a “sys” value, but no “user” value.)
15. Do you have a set of test cases where one of the lines is duplicated? Or duplicated, but with a different time value for the duplicate?
16. Do you have a set of test cases where a given line has more than one time value? (For example, “real 0m0.132s 0m0.008s”.)
17. Do you have a set of test cases containing random characters?
18. In all test cases involving invalid input, did you generate all permutations?
19. For each test case, do you have an expected outcome for that test?

If you did not generate test data for a substantial number of the above cases, you will need to cultivate a more destructive attitude in order to have a chance of generating high-quality tests.

Of course, one way to economize on destructiveness is to generate the tests with the to-be-tested source code at hand, which is called white-box testing (as opposed to black-box testing). However, this is no panacea: You will find that it is all too easy to find your thinking limited by what the program can handle, thus failing to generate truly destructive inputs.



**Quick Quiz 11.3:**

You are asking me to do all this validation BS before I even start coding??? That sounds like a great way to never get started!!! ■

**Answer:**

If it is your project, for example, a hobby, do what you like. Any time you waste will be your own, and you have no one else to answer to for it. And there is a good chance that the time will not be completely wasted. For example, if you are embarking on a first-of-a-kind project, the requirements are in some sense unknowable anyway. In this case, the best approach might be to quickly prototype a number of rough solutions, try them out, and see what works best.

**Quick Quiz 11.4:**

How can you implement `WARN_ON_ONCE ()` ? ■

**Answer:**

If you don't mind having a `WARN_ON_ONCE ()` that will sometimes warn twice or three times, simply maintain a static variable that is initialized to zero. If the condition triggers, check the static variable, and if it is non-zero, return. Otherwise, set it to one, print the message, and return.

If you really need the message to never appear more than once, perhaps because it is huge, you can use an atomic exchange operation in place of "set it to one" above. Print the message only if the atomic exchange operation returns zero.

**Quick Quiz 11.5:**

Why would anyone bother copying existing code in pen on paper??? Doesn't that just increase the probability of transcription errors? ■

**Answer:**

If you are worried about transcription errors, please allow me to be the first to introduce you to a really cool tool named `diff`. In addition, carrying out the copying can be quite valuable:

1. If you are copying a lot of code, you are probably failing to take advantage of an opportunity for abstraction. The act of copying code can provide great motivation for abstraction.
2. Copying the code gives you an opportunity to think about whether the code really works in its new setting. Is there some non-obvious constraint, such as the need to disable interrupts or to hold some lock?
3. Copying the code also gives you time to consider whether there is some better way to get the job done.

So, yes, copy the code!

**Quick Quiz 11.6:**

This procedure is ridiculously over-engineered! How can you expect to get a reasonable

amount of software written doing it this way??? ■

**Answer:**

Indeed, repeatedly copying code by hand is laborious and slow. However, when combined with heavy-duty stress testing and proofs of correctness, this approach is also extremely effective for complex parallel code where ultimate performance and reliability are required and where debugging is difficult. The Linux-kernel RCU implementation is a case in point.

On the other hand, if you are writing a simple single-threaded shell script to manipulate some data, then you would be best-served by a different methodology. For example, you might enter each command one at a time into an interactive shell with a test data set to make sure that it did what you wanted, then copy-and-paste the successful commands into your script. Finally, test the script as a whole.

If you have a friend or colleague who is willing to help out, pair programming can work very well, as can any number of formal design- and code-review processes.

And if you are writing code as a hobby, then do whatever you like.

In short, different types of software need different development methodologies.

**Quick Quiz 11.7:**

Suppose that you had a very large number of systems at your disposal. For example, at current cloud prices, you can purchase a huge amount of CPU time at a reasonably low cost. Why not use this approach to get close enough to certainty for all practical purposes? ■

**Answer:**

This approach might well be a valuable addition to your validation arsenal. But it does have a few limitations:

1. Some bugs have extremely low probabilities of occurrence, but nevertheless need to be fixed. For example, suppose that the Linux kernel's RCU implementation had a bug that is triggered only once per century of machine time on average. A century of CPU time is hugely expensive even on the cheapest cloud platforms, but we could expect this bug to result in more than 2,000 failures per day on the more than 100 million Linux instances in the world as of 2011.
2. The bug might well have zero probability of occurrence on your test setup, which means that you won't see it no matter how much machine time you burn testing it.

Of course, if your code is small enough, formal validation may be helpful, as discussed in Section 12. But beware: formal validation of your code will not find errors in your assumptions, misunderstanding of the requirements, misunderstanding of the software or hardware primitives you use, or errors that you did not think to construct a proof for.

**Quick Quiz 11.8:**

Say what??? When I plug the earlier example of five tests each with a 10% failure rate into the formula, I get 59,050% and that just doesn't make sense!!! ■

**Answer:**

You are right, that makes no sense at all.

Remember that a probability is a number between zero and one, so that you need to divide a percentage by 100 to get a probability. So 10% is a probability of 0.1, which gets a probability of 0.4095, which rounds to 41%, which quite sensibly matches the earlier result.

**Quick Quiz 11.9:**

In Equation 11.6, are the logarithms base-10, base-2, or base- $e$ ? ■

**Answer:**

It does not matter. You will get the same answer no matter what base of logarithms you use because the result is a pure ratio of logarithms. The only constraint is that you use the same base for both the numerator and the denominator.

**Quick Quiz 11.10:**

Suppose that a bug causes a test failure three times per hour on average. How long must the test run error-free to provide 99.9% confidence that the fix significantly reduced the probability of failure? ■

**Answer:**

We set  $n$  to 3 and  $P$  to 99.9 in Equation 11.28, resulting in:

$$T = -\frac{1}{3} \log \frac{100 - 99.9}{100} = 2.3 \quad (\text{F.5})$$

If the test runs without failure for 2.3 hours, we can be 99.9% certain that the fix reduced the probability of failure.

**Quick Quiz 11.11:**

Doing the summation of all the factorials and exponentials is a real pain. Isn't there an easier way? ■

**Answer:**

One approach is to use the open-source symbolic manipulation program named "maxima". Once you have installed this program, which is a part of many Debian-based Linux distributions, you can run it and give the `load(distrib);` command followed by any number of `bfloat(cdf_poisson(m, l));` commands, where the  $m$  is replaced by the desired value of  $m$  and the  $l$  is replaced by the desired value of  $\lambda$ .

In particular, the `bfloat(cdf_poisson(2, 24));` command results in `1.181617112359357b-8`, which matches the value given by Equation 11.30.

Alternatively, you can use the rough-and-ready method described in Section 11.6.2.

**Quick Quiz 11.12:**

But wait!!! Given that there has to be *some* number of failures (including the possibility of zero failures), shouldn't the summation shown in Equation 11.30 approach the value 1 as  $m$  goes to infinity? ■

**Answer:**

Indeed it should. And it does.

To see this, note that  $e^{-\lambda}$  does not depend on  $i$ , which means that it can be pulled out of the summation as follows:

$$e^{-\lambda} \sum_{i=0}^{\infty} \frac{\lambda^i}{i!} \tag{F.6}$$

The remaining summation is exactly the Taylor series for  $e^\lambda$ , yielding:

$$e^{-\lambda} e^\lambda \tag{F.7}$$

The two exponentials are reciprocals, and therefore cancel, resulting in exactly 1, as required.

**Quick Quiz 11.13:**

How is this approach supposed to help if the corruption affected some unrelated pointer, which then caused the corruption???

**Answer:**

Indeed, that can happen. Many CPUs have hardware-debugging facilities that can help you locate that unrelated pointer. Furthermore, if you have a core dump, you can search the core dump for pointers referencing the corrupted region of memory. You can also look at the data layout of the corruption, and check pointers whose type matches that layout.

You can also step back and test the modules making up your program more intensively, which will likely confine the corruption to the module responsible for it. If this makes the corruption vanish, consider adding additional argument checking to the functions exported from each module.

Nevertheless, this is a hard problem, which is why I used the words “a bit of a dark art”.

**Quick Quiz 11.14:**

But I did the bisection, and ended up with a huge commit. What do I do now?

**Answer:**

A huge commit? Shame on you! This is but one reason why you are supposed to keep the commits small.

And that is your answer: Break up the commit into bite-sized pieces and bisect the pieces. In my experience, the act of breaking up the commit is often sufficient to make the bug painfully obvious.

**Quick Quiz 11.15:**

Why don't existing conditional-locking primitives provide this spurious-failure functionality?

**Answer:**

There are locking algorithms that depend on conditional-locking primitives telling them the truth. For example, if conditional-lock failure signals that some other thread is already working on a given job, spurious failure might cause that job to never get done, possibly resulting in a hang.

**Quick Quiz 11.16:**

That is ridiculous!!! After all, isn't getting the correct answer later than one would like *has* better than getting an incorrect answer??? ■

**Answer:**

This question fails to consider the option of choosing not to compute the answer at all, and in doing so, also fails to consider the costs of computing the answer. For example, consider short-term weather forecasting, for which accurate models exist, but which require large (and expensive) clustered supercomputers, at least if you want to actually run the model faster than the weather.

And in this case, any performance bug that prevents the model from running faster than the actual weather prevents any forecasting. Given that the whole purpose of purchasing the large clustered supercomputer was to forecast weather, if you cannot run the model faster than the weather, you would be better off not running the model at all.

More severe examples may be found in the area of safety-critical real-time computing.

**Quick Quiz 11.17:**

But if you are going to put in all the hard work of parallelizing an application, why not do it right? Why settle for anything less than optimal performance and linear scalability? ■

**Answer:**

Although I do heartily salute your spirit and aspirations, you are forgetting that there may be high costs due to delays in the program's completion. For an extreme example, suppose that a 40% performance shortfall from a single-threaded application is causing one person to die each day. Suppose further that in a day you could hack together a quick and dirty parallel program that ran 50% faster on an eight-CPU system than the sequential version, but that an optimal parallel program would require four months of painstaking design, coding, debugging, and tuning.

It is safe to say that more than 100 people would prefer the quick and dirty version.

**Quick Quiz 11.18:**

But what about other sources of error, for example, due to interactions between caches and memory layout? ■

**Answer:**

Changes in memory layout can indeed result in unrealistic decreases in execution time. For example, suppose that a given microbenchmark almost always overflows the L0 cache's associativity, but with just the right memory layout, it all fits. If this is a real concern, consider running your microbenchmark using huge pages (or within the kernel

or on bare metal) in order to completely control the memory layout.

**Quick Quiz 11.19:**

Wouldn't the techniques suggested to isolate the code under test also affect that code's performance, particularly if it is running within a larger application? ■

**Answer:**

Indeed it might, although in most microbenchmarking efforts you would extract the code under test from the enclosing application. Nevertheless, if for some reason you must keep the code under test within the application, you will very likely need to use the techniques discussed in Section 11.7.6.

**Quick Quiz 11.20:**

This approach is just plain weird! Why not use means and standard deviations, like we were taught in our statistics classes? ■

**Answer:**

Because mean and standard deviation were not designed to do this job. To see this, try applying mean and standard deviation to the following data set, given a 1% relative error in measurement:

```
49,548.4 49,549.4 49,550.2 49,550.9 49,550.9 49,551.0 49,551.5 49,552.1
49,899.0 49,899.3 49,899.7 49,899.8 49,900.1 49,900.4 52,244.9 53,333.3
53,333.3 53,706.3 53,706.3 54,084.5
```

The problem is that mean and standard deviation do not rest on any sort of measurement-error assumption, and they will therefore see the difference between the values near 49,500 and those near 49,900 as being statistically significant, when in fact they are well within the bounds of estimated measurement error.

Of course, it is possible to create a script similar to that in Figure 11.6 that uses standard deviation rather than absolute difference to get a similar effect, and this is left as an exercise for the interested reader. Be careful to avoid divide-by-zero errors arising from strings of identical data values!

**Quick Quiz 11.21:**

But what if all the y-values in the trusted group of data are exactly zero? Won't that cause the script to reject any non-zero value? ■

**Answer:**

Indeed it will! But if your performance measurements often produce a value of exactly zero, perhaps you need to take a closer look at your performance-measurement code.

Note that many approaches based on mean and standard deviation will have similar problems with this sort of dataset.

## F.12 Formal Verification

### Quick Quiz 12.1:

Why is there an unreachable statement in `locker`? After all, isn't this a *full* state-space search? ■

### Answer:

The `locker` process is an infinite loop, so control never reaches the end of this process. However, since there are no monotonically increasing variables, Promela is able to model this infinite loop with a small number of states.

### Quick Quiz 12.2:

What are some Promela code-style issues with this example? ■

### Answer:

There are several:

1. The declaration of `sum` should be moved to within the `init` block, since it is not used anywhere else.
2. The assertion code should be moved outside of the initialization loop. The initialization loop can then be placed in an atomic block, greatly reducing the state space (by how much?).
3. The atomic block covering the assertion code should be extended to include the initialization of `sum` and `j`, and also to cover the assertion. This also reduces the state space (again, by how much?).

### Quick Quiz 12.3:

Is there a more straightforward way to code the `do-od` statement? ■

### Answer:

Yes. Replace it with `if-fi` and remove the two `break` statements.

### Quick Quiz 12.4:

Why are there atomic blocks at lines 12-21 and lines 44-56, when the operations within those atomic blocks have no atomic implementation on any current production micro-processor? ■

### Answer:

Because those operations are for the benefit of the assertion only. They are not part of the algorithm itself. There is therefore no harm in marking them atomic, and so marking them greatly reduces the state space that must be searched by the Promela model.

**Quick Quiz 12.5:**

Is the re-summing of the counters on lines 24-27 *really* necessary? ■

**Answer:**

Yes. To see this, delete these lines and run the model.

Alternatively, consider the following sequence of steps:

1. One process is within its RCU read-side critical section, so that the value of `ctr[0]` is zero and the value of `ctr[1]` is two.
2. An updater starts executing, and sees that the sum of the counters is two so that the fastpath cannot be executed. It therefore acquires the lock.
3. A second updater starts executing, and fetches the value of `ctr[0]`, which is zero.
4. The first updater adds one to `ctr[0]`, flips the index (which now becomes zero), then subtracts one from `ctr[1]` (which now becomes one).
5. The second updater fetches the value of `ctr[1]`, which is now one.
6. The second updater now incorrectly concludes that it is safe to proceed on the fastpath, despite the fact that the original reader has not yet completed.

**Quick Quiz 12.6:**

Yeah, that's just great! Now, just what am I supposed to do if I don't happen to have a machine with 40GB of main memory???

**Answer:**

Relax, there are a number of lawful answers to this question:

1. Further optimize the model, reducing its memory consumption.
2. Work out a pencil-and-paper proof, perhaps starting with the comments in the code in the Linux kernel.
3. Devise careful torture tests, which, though they cannot prove the code correct, can find hidden bugs.
4. There is some movement towards tools that do model checking on clusters of smaller machines. However, please note that we have not actually used such tools myself, courtesy of some large machines that Paul has occasional access to.
5. Wait for memory sizes of affordable systems to expand to fit your problem.
6. Use one of a number of cloud-computing services to rent a large system for a short time period.

**Quick Quiz 12.7:**

Why not simply increment `rcu_update_flag`, and then only increment `dynticks_progress_counter` if the old value of `rcu_update_flag` was zero???



**Answer:**

This fails in presence of NMIs. To see this, suppose an NMI was received just after `rcu_irq_enter()` incremented `rcu_update_flag`, but before it incremented `dynticks_progress_counter`. The instance of `rcu_irq_enter()` invoked by the NMI would see that the original value of `rcu_update_flag` was non-zero, and would therefore refrain from incrementing `dynticks_progress_counter`. This would leave the RCU grace-period machinery no clue that the NMI handler was executing on this CPU, so that any RCU read-side critical sections in the NMI handler would lose their RCU protection.

The possibility of NMI handlers, which, by definition cannot be masked, does complicate this code.

**Quick Quiz 12.8:**

But if line 7 finds that we are the outermost interrupt, wouldn't we *always* need to increment `dynticks_progress_counter`? ■

**Answer:**

Not if we interrupted a running task! In that case, `dynticks_progress_counter` would have already been incremented by `rcu_exit_nohz()`, and there would be no need to increment it again.

**Quick Quiz 12.9:**

Can you spot any bugs in any of the code in this section? ■

**Answer:**

Read the next section to see if you were correct.

**Quick Quiz 12.10:**

Why isn't the memory barrier in `rcu_exit_nohz()` and `rcu_enter_nohz()` modeled in Promela? ■

**Answer:**

Promela assumes sequential consistency, so it is not necessary to model memory barriers. In fact, one must instead explicitly model lack of memory barriers, for example, as shown in Figure 12.13 on page 307.

**Quick Quiz 12.11:**

Isn't it a bit strange to model `rcu_exit_nohz()` followed by `rcu_enter_nohz()`? Wouldn't it be more natural to instead model entry before exit? ■

**Answer:**

It probably would be more natural, but we will need this particular order for the liveness checks that we will add later.

**Quick Quiz 12.12:**

Wait a minute! In the Linux kernel, both `dynticks_progress_counter` and `rcu_dyntick_snapshot` are per-CPU variables. So why are they instead being modeled as single global variables? ■

**Answer:**

Because the grace-period code processes each CPU's `dynticks_progress_counter` and `rcu_dyntick_snapshot` variables separately, we can collapse the state onto a single CPU. If the grace-period code were instead to do something special given specific values on specific CPUs, then we would indeed need to model multiple CPUs. But fortunately, we can safely confine ourselves to two CPUs, the one running the grace-period processing and the one entering and leaving `dynticks-idle` mode.

**Quick Quiz 12.13:**

Given there are a pair of back-to-back changes to `gp_state` on lines 25 and 26, how can we be sure that line 25's changes won't be lost? ■

**Answer:**

Recall that Promela and spin trace out every possible sequence of state changes. Therefore, timing is irrelevant: Promela/spin will be quite happy to jam the entire rest of the model between those two statements unless some state variable specifically prohibits doing so.

**Quick Quiz 12.14:**

But what would you do if you needed the statements in a single `EXECUTE_MAINLINE ()` group to execute non-atomically? ■

**Answer:**

The easiest thing to do would be to put each such statement in its own `EXECUTE_MAINLINE ()` statement.

**Quick Quiz 12.15:**

But what if the `dynticks_nohz ()` process had “if” or “do” statements with conditions, where the statement bodies of these constructs needed to execute non-atomically? ■

**Answer:**

One approach, as we will see in a later section, is to use explicit labels and “goto” statements. For example, the construct:

```
if
:: i == 0 -> a = -1;
:: else -> a = -2;
fi;
```

could be modeled as something like:

```

EXECUTE_MAINLINE(stmt1,
  if
  :: i == 0 -> goto stmt1_then;
  :: else -> goto stmt1_else;
  fi)
stmt1_then: skip;
EXECUTE_MAINLINE(stmt1_then1, a = -1; goto stmt1_end)
stmt1_else: skip;
EXECUTE_MAINLINE(stmt1_then1, a = -2)
stmt1_end: skip;

```

However, it is not clear that the macro is helping much in the case of the “if” statement, so these sorts of situations will be open-coded in the following sections.

**Quick Quiz 12.16:**

Why are lines 45 and 46 (the `in_dyntick_irq = 0;` and the `i++;`) executed atomically? ■

**Answer:**

These lines of code pertain to controlling the model, not to the code being modeled, so there is no reason to model them non-atomically. The motivation for modeling them atomically is to reduce the size of the state space.

**Quick Quiz 12.17:**

What property of interrupts is this `dynticks_irq()` process unable to model? ■

**Answer:**

One such property is nested interrupts, which are handled in the following section.

**Quick Quiz 12.18:**

Does Paul *always* write his code in this painfully incremental manner? ■

**Answer:**

Not always, but more and more frequently. In this case, Paul started with the smallest slice of code that included an interrupt handler, because he was not sure how best to model interrupts in Promela. Once he got that working, he added other features. (But if he was doing it again, he would start with a “toy” handler. For example, he might have the handler increment a variable twice and have the mainline code verify that the value was always even.)

Why the incremental approach? Consider the following, attributed to Brian W. Kernighan:

Debugging is twice as hard as writing the code in the first place. Therefore, if you write the code as cleverly as possible, you are, by definition, not smart enough to debug it.

This means that any attempt to optimize the production of code should place at least 66% of its emphasis on optimizing the debugging process, even at the expense of increasing the time and effort spent coding. Incremental coding and testing is one way to optimize the debugging process, at the expense of some increase in coding effort.

Paul uses this approach because he rarely has the luxury of devoting full days (let alone weeks) to coding and debugging.

**Quick Quiz 12.19:**

But what happens if an NMI handler starts running before an irq handler completes, and if that NMI handler continues running until a second irq handler starts? ■

**Answer:**

This cannot happen within the confines of a single CPU. The first irq handler cannot complete until the NMI handler returns. Therefore, if each of the `dynticks` and `dynticks_nmi` variables have taken on an even value during a given time interval, the corresponding CPU really was in a quiescent state at some time during that interval.

**Quick Quiz 12.20:**

This is still pretty complicated. Why not just have a `cpumask_t` that has a bit set for each CPU that is in dyntick-idle mode, clearing the bit when entering an irq or NMI handler, and setting it upon exit? ■

**Answer:**

Although this approach would be functionally correct, it would result in excessive irq entry/exit overhead on large machines. In contrast, the approach laid out in this section allows each CPU to touch only per-CPU data on irq and NMI entry/exit, resulting in much lower irq entry/exit overhead, especially on large machines.

**Quick Quiz 12.21:**

But x86 has strong memory ordering! Why would you need to formalize its memory model? ■

**Answer:**

Actually, academics consider the x86 memory model to be weak because it can allow prior stores to be reordered with subsequent loads. From an academic viewpoint, a strong memory model is one that allows absolutely no reordering, so that all threads agree on the order of all operations visible to them.

**Quick Quiz 12.22:**

Why does line 8 of Figure 12.24 initialize the registers? Why not instead initialize them on lines 4 and 5? ■

**Answer:**

Either way works. However, in general, it is better to use initialization than explicit instructions. The explicit instructions are used in this example to demonstrate their use. In addition, many of the litmus tests available on the tool's web site (<http://www.cl.cam.ac.uk/~pes20/ppcmem/>) were automatically generated, which generates explicit initialization instructions.

**Quick Quiz 12.23:**

But whatever happened to line 17 of Figure 12.24, the one that is the `Fail: label`? ■

**Answer:**

The implementation of powerpc version of `atomic_add_return()` loops when the `stwcx` instruction fails, which it communicates by setting non-zero status in the condition-code register, which in turn is tested by the `bne` instruction. Because actually modeling the loop would result in state-space explosion, we instead branch to the `Fail: label`, terminating the model with the initial value of 2 in thread 1's `r3` register, which will not trigger the exists assertion.

There is some debate about whether this trick is universally applicable, but I have not seen an example where it fails.

**Quick Quiz 12.24:**

Does the ARM Linux kernel have a similar bug? ■

**Answer:**

ARM does not have this particular bug because that it places `smp_mb()` before and after the `atomic_add_return()` function's assembly-language implementation. PowerPC no longer has this bug; it has long since been fixed. Finding any other bugs that the Linux kernel might have is left as an exercise for the reader.

## F.13 Putting It All Together

**Quick Quiz 13.1:**

Why on earth did we need that global lock in the first place? ■

**Answer:**

A given thread's `__thread` variables vanish when that thread exits. It is therefore necessary to synchronize any operation that accesses other threads' `__thread` variables with thread exit. Without such synchronization, accesses to `__thread` variable of a just-exited thread will result in segmentation faults.

**Quick Quiz 13.2:**

Just what is the accuracy of `read_count()`, anyway? ■

**Answer:**

Refer to Figure 5.9 on Page 57. Clearly, if there are no concurrent invocations of `inc_count()`, `read_count()` will return an exact result. However, if there *are* concurrent invocations of `inc_count()`, then the sum is in fact changing as `read_count()` performs its summation. That said, because thread creation and exit are excluded by `final_mutex`, the pointers in `counterp` remain constant.

Let's imagine a mythical machine that is able to take an instantaneous snapshot of its memory. Suppose that this machine takes such a snapshot at the beginning of

`read_count()`'s execution, and another snapshot at the end of `read_count()`'s execution. Then `read_count()` will access each thread's counter at some time between these two snapshots, and will therefore obtain a result that is bounded by those of the two snapshots, inclusive. The overall sum will therefore be bounded by the pair of sums that would have been obtained from each of the two snapshots (again, inclusive).

The expected error is therefore half of the difference between the pair of sums that would have been obtained from each of the two snapshots, that is to say, half of the execution time of `read_count()` multiplied by the number of expected calls to `inc_count()` per unit time.

Or, for those who prefer equations:

$$\varepsilon = \frac{T_r R_i}{2} \quad (\text{F.8})$$

where  $\varepsilon$  is the expected error in `read_count()`'s return value,  $T_r$  is the time that `read_count()` takes to execute, and  $R_i$  is the rate of `inc_count()` calls per unit time. (And of course,  $T_r$  and  $R_i$  should use the same units of time: microseconds and calls per microsecond, seconds and calls per second, or whatever, as long as they are the same units.)

### Quick Quiz 13.3:

Hey!!! Line 45 of Figure 13.1 modifies a value in a pre-existing `countarray` structure! Didn't you say that this structure, once made available to `read_count()`, remained constant???

#### Answer:

Indeed I did say that. And it would be possible to make `count_register_thread()` allocate a new structure, much as `count_unregister_thread()` currently does.

But this is unnecessary. Recall the derivation of the error bounds of `read_count()` that was based on the snapshots of memory. Because new threads start with initial `counter` values of zero, the derivation holds even if we add a new thread partway through `read_count()`'s execution. So, interestingly enough, when adding a new thread, this implementation gets the effect of allocating a new structure, but without actually having to do the allocation.

### Quick Quiz 13.4:

Wow! Figure 13.1 contains 69 lines of code, compared to only 42 in Figure 5.9. Is this extra complexity really worth it?

#### Answer:

This of course needs to be decided on a case-by-case basis. If you need an implementation of `read_count()` that scales linearly, then the lock-based implementation shown in Figure 5.9 simply will not work for you. On the other hand, if calls to `count_read()` are sufficiently rare, then the lock-based version is simpler and might thus be better, although much of the size difference is due to the structure definition, memory allocation, and `NULL` return checking.

Of course, a better question is "why doesn't the language implement cross-thread access to `__thread` variables?" After all, such an implementation would make both the locking and the use of RCU unnecessary. This would in turn enable an

```

1 struct measurement {
2     double meas_1;
3     double meas_2;
4     double meas_3;
5 };
6
7 struct animal {
8     char name[40];
9     double age;
10    struct measurement *mp;
11    struct measurement meas;
12    char photo[0]; /* large bitmap. */
13 };

```

Figure F.9: Localized Correlated Measurement Fields

implementation that was even simpler than the one shown in Figure 5.9, but with all the scalability and performance benefits of the implementation shown in Figure 13.1!

#### Quick Quiz 13.5:

But can't the approach shown in Figure 13.5 result in extra cache misses, in turn resulting in additional read-side overhead? ■

#### Answer:

Indeed it can.

One way to avoid this cache-miss overhead is shown in Figure F.9: Simply embed an instance of a `measurement` structure named `meas` into the `animal` structure, and point the `->mp` field at this `->meas` field.

Measurement updates can then be carried out as follows:

1. Allocate a new `measurement` structure and place the new measurements into it.
2. Use `rcu_assign_pointer()` to point `->mp` to this new structure.
3. Wait for a grace period to elapse, for example using either `synchronize_rcu()` or `call_rcu()`.
4. Copy the measurements from the new `measurement` structure into the embedded `->meas` field.
5. Use `rcu_assign_pointer()` to point `->mp` back to the old embedded `->meas` field.
6. After another grace period elapses, free up the new `measurement` field.

This approach uses a heavier weight update procedure to eliminate the extra cache miss in the common case. The extra cache miss will be incurred only while an update is actually in progress.

#### Quick Quiz 13.6:

But how does this scan work while a resizable hash table is being resized? In that case, neither the old nor the new hash table is guaranteed to contain all the elements in the

hash table! ■

**Answer:**

True, resizable hash tables as described in Section 10.4 cannot be fully scanned while being resized. One simple way around this is to acquire the `hashtab` structure's `->ht_lock` while scanning, but this prevents more than one scan from proceeding concurrently.

Another approach is for updates to mutate the old hash table as well as the new one while resizing is in progress. This would allow scans to find all elements in the old hash table. Implementing this is left as an exercise for the reader.

## F.14 Advanced Synchronization

**Quick Quiz 14.1:**

How on earth could the assertion on line 21 of the code in Figure 14.3 on page 356 possibly fail? ■

**Answer:**

The key point is that the intuitive analysis missed is that there is nothing preventing the assignment to C from overtaking the assignment to A as both race to reach `thread2()`. This is explained in the remainder of this section.

**Quick Quiz 14.2:**

Great... So how do I fix it? ■

**Answer:**

The easiest fix is to replace the `barrier()` on line 12 with an `smp_mb()`.

**Quick Quiz 14.3:**

What assumption is the code fragment in Figure 14.4 making that might not be valid on real hardware? ■

**Answer:**

The code assumes that as soon as a given CPU stops seeing its own value, it will immediately see the final agreed-upon value. On real hardware, some of the CPUs might well see several intermediate results before converging on the final value.

**Quick Quiz 14.4:**

How could CPUs possibly have different views of the value of a single variable *at the same time*? ■

**Answer:**

Many CPUs have write buffers that record the values of recent writes, which are applied once the corresponding cache line makes its way to the CPU. Therefore, it is quite



possible for each CPU to see a different value for a given variable at a single point in time — and for main memory to hold yet another value. One of the reasons that memory barriers were invented was to allow software to deal gracefully with situations like this one.

**Quick Quiz 14.5:**

Why do CPUs 2 and 3 come to agreement so quickly, when it takes so long for CPUs 1 and 4 to come to the party? ■

**Answer:**

CPUs 2 and 3 are a pair of hardware threads on the same core, sharing the same cache hierarchy, and therefore have very low communications latencies. This is a NUMA, or, more accurately, a NUCA effect.

This leads to the question of why CPUs 2 and 3 ever disagree at all. One possible reason is that they each might have a small amount of private cache in addition to a larger shared cache. Another possible reason is instruction reordering, given the short 10-nanosecond duration of the disagreement and the total lack of memory barriers in the code fragment.

**Quick Quiz 14.6:**

But if the memory barriers do not unconditionally force ordering, how the heck can a device driver reliably execute sequences of loads and stores to MMIO registers? ■

**Answer:**

MMIO registers are special cases: because they appear in uncached regions of physical memory. Memory barriers *do* unconditionally force ordering of loads and stores to uncached memory, as discussed in Section 14.2.8.

**Quick Quiz 14.7:**

How do we know that modern hardware guarantees that at least one of the loads will see the value stored by the other thread in the ears-to-mouths scenario? ■

**Answer:**

The scenario is as follows, with A and B both initially zero:

```
CPU 0: A=1; smp_mb (); r1=B;
```

```
CPU 1: B=1; smp_mb (); r2=A;
```

If neither of the loads see the corresponding store, when both CPUs finish, both `r1` and `r2` will be equal to zero. Let's suppose that `r1` is equal to zero. Then we know that CPU 0's load from B happened before CPU 1's store to B: After all, we would have had `r1` equal to one otherwise. But given that CPU 0's load from B happened before CPU 1's store to B, memory-barrier pairing guarantees that CPU 0's store to A happens before CPU 1's load from A, which in turn guarantees that `r2` will be equal to one, not zero.

Therefore, at least one of `r1` and `r2` must be nonzero, which means that at least one of the loads saw the value from the corresponding store, as claimed.

**Quick Quiz 14.8:**

How can the other “Only one store” entries in Table 14.1 be used? ■

**Answer:**

For combination 2, if CPU 1’s load from B sees a value prior to CPU 2’s store to B, then we know that CPU 2’s load from A will return the same value as CPU 1’s load from A, or some later value.

For combination 4, if CPU 2’s load from B sees the value from CPU 1’s store to B, then we know that CPU 2’s load from A will return the same value as CPU 1’s load from A, or some later value.

For combination 8, if CPU 2’s load from A sees CPU 1’s store to A, then we know that CPU 1’s load from B will return the same value as CPU 2’s load from A, or some later value.

**Quick Quiz 14.9:**

How could the assertion `b==2` on page 363 possibly fail? ■

**Answer:**

If the CPU is not required to see all of its loads and stores in order, then the `b=1+a` might well see an old version of the variable “a”.

This is why it is so very important that each CPU or thread see all of its own loads and stores in program order.

**Quick Quiz 14.10:**

How could the code on page 363 possibly leak memory? ■

**Answer:**

Only the first execution of the critical section should see `p==NULL`. However, if there is no global ordering of critical sections for `mylock`, then how can you say that a particular one was first? If several different executions of that critical section thought that they were first, they would all see `p==NULL`, and they would all allocate memory. All but one of those allocations would be leaked.

This is why it is so very important that all the critical sections for a given exclusive lock appear to execute in some well-defined order.

**Quick Quiz 14.11:**

How could the code on page 363 possibly count backwards? ■

**Answer:**

Suppose that the counter started out with the value zero, and that three executions of the critical section had therefore brought its value to three. If the fourth execution of the critical section is not constrained to see the most recent store to this variable, it might well see the original value of zero, and therefore set the counter to one, which would be going backwards.

This is why it is so very important that loads from a given variable in a given critical

section see the last store from the last prior critical section to store to that variable.

**Quick Quiz 14.12:**

What effect does the following sequence have on the order of stores to variables “a” and “b”?

```
a = 1;  
b = 1;  
<write barrier> ■
```

**Answer:**

Absolutely none. This barrier *would* ensure that the assignments to “a” and “b” happened before any subsequent assignments, but it does nothing to enforce any order of assignments to “a” and “b” themselves.

**Quick Quiz 14.13:**

What sequence of LOCK-UNLOCK operations *would* act as a full memory barrier? ■

**Answer:**

A series of two back-to-back LOCK-UNLOCK operations, or, somewhat less conventionally, an UNLOCK operation followed by a LOCK operation.

**Quick Quiz 14.14:**

What (if any) CPUs have memory-barrier instructions from which these semi-permeable locking primitives might be constructed? ■

**Answer:**

Itanium is one example. The identification of any others is left as an exercise for the reader.

**Quick Quiz 14.15:**

Given that operations grouped in curly braces are executed concurrently, which of the rows of Table 14.2 are legitimate reorderings of the assignments to variables “A” through “F” and the LOCK/UNLOCK operations? (The order in the code is A, B, LOCK, C, D, UNLOCK, E, F.) Why or why not? ■

**Answer:**

1. Legitimate, executed in order.
2. Legitimate, the lock acquisition was executed concurrently with the last assignment preceding the critical section.
3. Illegitimate, the assignment to “F” must follow the LOCK operation.
4. Illegitimate, the LOCK must complete before any operation in the critical section. However, the UNLOCK may legitimately be executed concurrently with subsequent operations.

5. Legitimate, the assignment to “A” precedes the UNLOCK, as required, and all other operations are in order.
6. Illegitimate, the assignment to “C” must follow the LOCK.
7. Illegitimate, the assignment to “D” must precede the UNLOCK.
8. Legitimate, all assignments are ordered with respect to the LOCK and UNLOCK operations.
9. Illegitimate, the assignment to “A” must precede the UNLOCK.

**Quick Quiz 14.16:**

What are the constraints for Table 14.3? ■

**Answer:**

All CPUs must see the following ordering constraints:

1. LOCK M precedes B, C, and D.
2. UNLOCK M follows A, B, and C.
3. LOCK Q precedes F, G, and H.
4. UNLOCK Q follows E, F, and G.

## F.15 Ease of Use

**Quick Quiz 15.1:**

Can a similar algorithm be used when deleting elements? ■

**Answer:**

Yes. However, since each thread must hold the locks of three consecutive elements to delete the middle one, if there are  $N$  threads, there must be  $2N + 1$  elements (rather than just  $N + 1$ ) in order to avoid deadlock.

**Quick Quiz 15.2:**

Yetch! What ever possessed someone to come up with an algorithm that deserves to be shaved as much as this one does??? ■

**Answer:**

That would be Paul.

He was considering the *Dining Philosopher’s Problem*, which involves a rather unsanitary spaghetti dinner attended by five philosophers. Given that there are five plates and but five forks on the table, and given that each philosopher requires two forks at a time to eat, one is supposed to come up with a fork-allocation algorithm that avoids deadlock. Paul’s response was “Sheesh! Just get five more forks!”.

This in itself was OK, but Paul then applied this same solution to circular linked lists.

This would not have been so bad either, but he had to go and tell someone about it!

**Quick Quiz 15.3:**

Give an exception to this rule. ■

**Answer:**

One exception would be a difficult and complex algorithm that was the only one known to work in a given situation. Another exception would be a difficult and complex algorithm that was nonetheless the simplest of the set known to work in a given situation. However, even in these cases, it may be very worthwhile to spend a little time trying to come up with a simpler algorithm! After all, if you managed to invent the first algorithm to do some task, it shouldn't be that hard to go on to invent a simpler one.

## F.16 Conflicting Visions of the Future

**Quick Quiz 16.1:**

What about non-persistent primitives represented by data structures in `mmap()` regions of memory? What happens when there is an `exec()` within a critical section of such a primitive? ■

**Answer:**

If the `exec()` ed program maps those same regions of memory, then this program could in principle simply release the lock. The question as to whether this approach is sound from a software-engineering viewpoint is left as an exercise for the reader.

**Quick Quiz 16.2:**

Why would it matter that oft-written variables shared the cache line with the lock variable? ■

**Answer:**

If the lock is in the same cacheline as some of the variables that it is protecting, then writes to those variables by one CPU will invalidate that cache line for all the other CPUs. These invalidations will generate large numbers of conflicts and retries, perhaps even degrading performance and scalability compared to locking.

**Quick Quiz 16.3:**

Why are relatively small updates important to HTM performance and scalability? ■

**Answer:**

The larger the updates, the greater the probability of conflict, and thus the greater probability of retries, which degrade performance.

**Quick Quiz 16.4:**

How could a red-black tree possibly efficiently enumerate all elements of the tree regardless of choice of synchronization mechanism???

**Answer:**

In many cases, the enumeration need not be exact. In these cases, hazard pointers or RCU may be used to protect readers with low probability of conflict with any given insertion or deletion.

**Quick Quiz 16.5:**

But why can't a debugger emulate single stepping by setting breakpoints at successive lines of the transaction, relying on the retry to retrace the steps of the earlier instances of the transaction?

**Answer:**

This scheme might work with reasonably high probability, but it can fail in ways that would be quite surprising to most users. To see this, consider the following transaction:

```

1 begin_trans();
2 if (a) {
3   do_one_thing();
4   do_another_thing();
5 } else {
6   do_a_third_thing();
7   do_a_fourth_thing();
8 }
9 end_trans();

```

Suppose that the user sets a breakpoint at line 3, which triggers, aborting the transaction and entering the debugger. Suppose that between the time that the breakpoint triggers and the debugger gets around to stopping all the threads, some other thread sets the value of *a* to zero. When the poor user attempts to single-step the program, surprise! The program is now in the else-clause instead of the then-clause.

This is *not* what I call an easy-to-use debugger.

**Quick Quiz 16.6:**

But why would *anyone* need an empty lock-based critical section???

**Answer:**

See the answer to the Quick Quiz in Section 7.2.1.

However, it is claimed that given a strongly atomic HTM implementation without forward-progress guarantees, any memory-based locking design based on empty critical sections will operate correctly in the presence of transactional lock elision. Although I have not seen a proof of this statement, there is a straightforward rationale for this claim. The main idea is that in a strongly atomic HTM implementation, the results of a given transaction are not visible until after the transaction completes successfully. Therefore, if you can see that a transaction has started, it is guaranteed to have already completed, which means that a subsequent empty lock-based critical section will successfully “wait”

on it—after all, there is no waiting required.

This line of reasoning does not apply to weakly atomic systems (including many STM implementation), and it also does not apply to lock-based programs that use means other than memory to communicate. One such means is the passage of time (for example, in hard real-time systems) or flow of priority (for example, in soft real-time systems).

Locking designs that rely on priority boosting are of particular interest.

### **Quick Quiz 16.7:**

Can't transactional lock elision trivially handle locking's time-based messaging semantics by simply choosing not to elide empty lock-based critical sections? ■

#### **Answer:**

It could do so, but this would be both unnecessary and insufficient.

It would be unnecessary in cases where the empty critical section was due to conditional compilation. Here, it might well be that the only purpose of the lock was to protect data, so eliding it completely would be the right thing to do. In fact, leaving the empty lock-based critical section would degrade performance and scalability.

On the other hand, it is possible for a non-empty lock-based critical section to be relying on both the data-protection and time-based and messaging semantics of locking. Using transactional lock elision in such a case would be incorrect, and would result in bugs.

### **Quick Quiz 16.8:**

Given modern hardware [MOZ09], how can anyone possibly expect parallel software relying on timing to work? ■

#### **Answer:**

The short answer is that on commonplace commodity hardware, synchronization designs based on any sort of fine-grained timing are foolhardy and cannot be expected to operate correctly under all conditions.

That said, there are systems designed for hard real-time use that are much more deterministic. In the (very unlikely) event that you are using such a system, here is a toy example showing how time-based synchronization can work. Again, do *not* try this on commodity microprocessors, as they have highly nondeterministic performance characteristics.

This example uses multiple worker threads along with a control thread. Each worker thread corresponds to an outbound data feed, and records the current time (for example, from the `clock_gettime()` system call) in a per-thread `my_timestamp` variable after executing each unit of work. The real-time nature of this example results in the following set of constraints:

1. It is a fatal error for a given worker thread to fail to update its timestamp for a time period of more than `MAX_LOOP_TIME`.
2. Locks are used sparingly to access and update global state. item Locks are granted in strict FIFO order within a given thread priority.

When worker threads complete their feed, they must disentangle themselves from the rest of the application and place a status value in a per-thread `my_status` variable that is initialized to -1. Threads do not exit; they instead are placed on a thread pool to accommodate later processing requirements. The control thread assigns (and re-assigns) worker threads as needed, and also maintains a histogram of thread statuses. The control thread runs at a real-time priority no higher than that of the worker threads.

Worker threads' code is as follows:

```

1  int my_status = -1; /* Thread local. */
2
3  while (continue_working()) {
4      enqueue_any_new_work();
5      wp = dequeue_work();
6      do_work(wp);
7      my_timestamp = clock_gettime(...);
8  }
9
10 acquire_lock(&departing_thread_lock);
11
12 /*
13  * Disentangle from application, might
14  * acquire other locks, can take much longer
15  * than MAX_LOOP_TIME, especially if many
16  * threads exit concurrently.
17  */
18 my_status = get_return_status();
19 release_lock(&departing_thread_lock);
20
21 /* thread awaits repurposing. */

```

The control thread's code is as follows:

```

1  for (;;) {
2      for_each_thread(t) {
3          ct = clock_gettime(...);
4          d = ct - per_thread(my_timestamp, t);
5          if (d >= MAX_LOOP_TIME) {
6              /* thread departing. */
7              acquire_lock(&departing_thread_lock);
8              release_lock(&departing_thread_lock);
9              i = per_thread(my_status, t);
10             status_hist[i]++; /* Bug if TLE! */
11         }
12     }
13     /* Repurpose threads as needed. */
14 }

```

Line 5 uses the passage of time to deduce that the thread has exited, executing lines 6-10 if so. The empty lock-based critical section on lines 7 and 8 guarantees that any thread in the process of exiting completes (remember that locks are granted in FIFO order!).

Once again, do not try this sort of thing on commodity microprocessors. After all, it is difficult enough to get right on systems specifically designed for hard real-time use!

### Quick Quiz 16.9:

But the `boostee()` function in Figure 16.12 alternatively acquires its locks in reverse order! Won't this result in deadlock? ■

### Answer:

No deadlock will result. To arrive at deadlock, two different threads must each acquire the two locks in opposite orders, which does not happen in this example. However,



deadlock detectors such as lockdep [Cor06a] will flag this as a false positive.

## F.17 Important Questions

### Quick Quiz A.1:

What SMP coding errors can you see in these examples? See `time.c` for full code. ■

#### Answer:

1. Missing `barrier()` or `volatile` on tight loops.
2. Missing Memory barriers on update side.
3. Lack of synchronization between producer and consumer.

### Quick Quiz A.2:

How could there be such a large gap between successive consumer reads? See `timelocked.c` for full code. ■

#### Answer:

1. The consumer might be preempted for long time periods.
2. A long-running interrupt might delay the consumer.
3. The producer might also be running on a faster CPU than is the consumer (for example, one of the CPUs might have had to decrease its clock frequency due to heat-dissipation or power-consumption constraints).

## F.18 Synchronization Primitives

### Quick Quiz B.1:

Give an example of a parallel program that could be written without synchronization primitives. ■

#### Answer:

There are many examples. One of the simplest would be a parametric study using a single independent variable. If the program `run_study` took a single argument, then we could use the following bash script to run two instances in parallel, as might be appropriate on a two-CPU system:

```
run_study 1 > 1.out& run_study 2 > 2.out; wait
```

One could of course argue that the bash ampersand operator and the “wait” primitive are in fact synchronization primitives. If so, then consider that this script could be run

manually in two separate command windows, so that the only synchronization would be supplied by the user himself or herself.

**Quick Quiz B.2:**

What problems could occur if the variable `counter` were incremented without the protection of `mutex`? ■

**Answer:**

On CPUs with load-store architectures, incrementing `counter` might compile into something like the following:

```
LOAD counter,r0
INC r0
STORE r0,counter
```

On such machines, two threads might simultaneously load the value of `counter`, each increment it, and each store the result. The new value of `counter` will then only be one greater than before, despite two threads each incrementing it.

**Quick Quiz B.3:**

How could you work around the lack of a per-thread-variable API on systems that do not provide it? ■

**Answer:**

One approach would be to create an array indexed by `smp_thread_id()`, and another would be to use a hash table to map from `smp_thread_id()` to an array index — which is in fact what this set of APIs does in `pthread` environments.

Another approach would be for the parent to allocate a structure containing fields for each desired per-thread variable, then pass this to the child during thread creation. However, this approach can impose large software-engineering costs in large systems. To see this, imagine if all global variables in a large system had to be declared in a single file, regardless of whether or not they were C static variables!

## F.19 Why Memory Barriers?

**Quick Quiz C.1:**

Where does a writeback message originate from and where does it go to? ■

**Answer:**

The writeback message originates from a given CPU, or in some designs from a given level of a given CPU's cache—or even from a cache that might be shared among several CPUs. The key point is that a given cache does not have room for a given data item, so some other piece of data must be ejected from the cache to make room. If there is some other piece of data that is duplicated in some other cache or in memory, then that piece of data may be simply discarded, with no writeback message required.

On the other hand, if every piece of data that might be ejected has been modified

so that the only up-to-date copy is in this cache, then one of those data items must be copied somewhere else. This copy operation is undertaken using a “writeback message”.

The destination of the writeback message has to be something that is able to store the new value. This might be main memory, but it also might be some other cache. If it is a cache, it is normally a higher-level cache for the same CPU, for example, a level-1 cache might write back to a level-2 cache. However, some hardware designs permit cross-CPU writebacks, so that CPU 0’s cache might send a writeback message to CPU 1. This would normally be done if CPU 1 had somehow indicated an interest in the data, for example, by having recently issued a read request.

In short, a writeback message is sent from some part of the system that is short of space, and is received by some other part of the system that can accommodate the data.

**Quick Quiz C.2:**

What happens if two CPUs attempt to invalidate the same cache line concurrently? ■

**Answer:**

One of the CPUs gains access to the shared bus first, and that CPU “wins”. The other CPU must invalidate its copy of the cache line and transmit an “invalidate acknowledge” message to the other CPU.

Of course, the losing CPU can be expected to immediately issue a “read invalidate” transaction, so the winning CPU’s victory will be quite ephemeral.

**Quick Quiz C.3:**

When an “invalidate” message appears in a large multiprocessor, every CPU must give an “invalidate acknowledge” response. Wouldn’t the resulting “storm” of “invalidate acknowledge” responses totally saturate the system bus? ■

**Answer:**

It might, if large-scale multiprocessors were in fact implemented that way. Larger multiprocessors, particularly NUMA machines, tend to use so-called “directory-based” cache-coherence protocols to avoid this and other problems.

**Quick Quiz C.4:**

If SMP machines are really using message passing anyway, why bother with SMP at all? ■

**Answer:**

There has been quite a bit of controversy on this topic over the past few decades. One answer is that the cache-coherence protocols are quite simple, and therefore can be implemented directly in hardware, gaining bandwidths and latencies unattainable by software message passing. Another answer is that the real truth is to be found in economics due to the relative prices of large SMP machines and that of clusters of smaller SMP machines. A third answer is that the SMP programming model is easier to use than that of distributed systems, but a rebuttal might note the appearance of HPC clusters and MPI. And so the argument continues.

**Quick Quiz C.5:**

How does the hardware handle the delayed transitions described above? ■

**Answer:**

Usually by adding additional states, though these additional states need not be actually stored with the cache line, due to the fact that only a few lines at a time will be transitioning. The need to delay transitions is but one issue that results in real-world cache coherence protocols being much more complex than the over-simplified MESI protocol described in this appendix. Hennessy and Patterson's classic introduction to computer architecture [HP95] covers many of these issues.

**Quick Quiz C.6:**

What sequence of operations would put the CPUs' caches all back into the "invalid" state? ■

**Answer:**

There is no such sequence, at least in absence of special "flush my cache" instructions in the CPU's instruction set. Most CPUs do have such instructions.

**Quick Quiz C.7:**

But if the main purpose of store buffers is to hide acknowledgment latencies in multiprocessor cache-coherence protocols, why do uniprocessors also have store buffers? ■

**Answer:**

Because the purpose of store buffers is not just to hide acknowledgement latencies in multiprocessor cache-coherence protocols, but to hide memory latencies in general. Because memory is much slower than is cache on uniprocessors, store buffers on uniprocessors can help to hide write-miss latencies.

**Quick Quiz C.8:**

In step 1 above, why does CPU 0 need to issue a "read invalidate" rather than a simple "invalidate"? ■

**Answer:**

Because the cache line in question contains more than just the variable *a*.

**Quick Quiz C.9:**

In step 1 of the first scenario in Section C.4.3, why is an "invalidate" sent instead of a "read invalidate" message? Doesn't CPU 0 need the values of the other variables that share this cache line with "a"? ■

**Answer:**

CPU 0 already has the values of these variables, given that it has a read-only copy of the cache line containing "a". Therefore, all CPU 0 need do is to cause the other CPUs to

discard their copies of this cache line. An “invalidate” message therefore suffices.

**Quick Quiz C.10:**

Say what??? Why do we need a memory barrier here, given that the CPU cannot possibly execute the `assert()` until after the `while` loop completes? ■

**Answer:**

CPUs are free to speculatively execute, which can have the effect of executing the assertion before the `while` loop completes. Furthermore, compilers normally assume that only the currently executing thread is updating the variables, and this assumption allows the compiler to hoist the load of `a` to precede the loop.

In fact, some compilers would transform the loop to a branch around an infinite loop as follows:

```
1 void foo(void)
2 {
3     a = 1;
4     smp_mb();
5     b = 1;
6 }
7
8 void bar(void)
9 {
10    if (b == 0)
11        for (;;)
12            continue;
13    smp_mb();
14    assert(a == 1);
15 }
```

Given this optimization, the assertion could clearly fire. You should use volatile casts or (where available) C++ relaxed atomics to prevent the compiler from optimizing your parallel code into oblivion.

In short, both compilers and CPUs are quite aggressive about optimizing, so you must clearly communicate your constraints to them, using compiler directives and memory barriers.

**Quick Quiz C.11:**

Does the guarantee that each CPU sees its own memory accesses in order also guarantee that each user-level thread will see its own memory accesses in order? Why or why not? ■

**Answer:**

No. Consider the case where a thread migrates from one CPU to another, and where the destination CPU perceives the source CPU’s recent memory operations out of order. To preserve user-mode sanity, kernel hackers must use memory barriers in the context-switch path. However, the locking already required to safely do a context switch should automatically provide the memory barriers needed to cause the user-level task to see its own accesses in order. That said, if you are designing a super-optimized scheduler,

either in the kernel or at user level, please keep this scenario in mind!

**Quick Quiz C.12:**

Could this code be fixed by inserting a memory barrier between CPU 1's "while" and assignment to "c"? Why or why not? ■

**Answer:**

No. Such a memory barrier would only force ordering local to CPU 1. It would have no effect on the relative ordering of CPU 0's and CPU 1's accesses, so the assertion could still fail. However, all mainstream computer systems provide one mechanism or another to provide "transitivity", which provides intuitive causal ordering: if B saw the effects of A's accesses, and C saw the effects of B's accesses, then C must also see the effects of A's accesses. In short, hardware designers have taken at least a little pity on software developers.

**Quick Quiz C.13:**

Suppose that lines 3-5 for CPUs 1 and 2 in Table C.4 are in an interrupt handler, and that the CPU 2's line 9 is run at process level. What changes, if any, are required to enable the code to work correctly, in other words, to prevent the assertion from firing? ■

**Answer:**

The assertion will need to be written to ensure that the load of "e" precedes that of "a". In the Linux kernel, the `barrier()` primitive may be used to accomplish this in much the same way that the memory barrier was used in the assertions in the previous examples.

**Quick Quiz C.14:**

If CPU 2 executed an `assert (e==0 || c==1)` in the example in Table C.4, would this assert ever trigger? ■

**Answer:**

The result depends on whether the CPU supports "transitivity." In other words, CPU 0 stored to "e" after seeing CPU 1's store to "c", with a memory barrier between CPU 0's load from "c" and store to "e". If some other CPU sees CPU 0's store to "e", is it also guaranteed to see CPU 1's store?

All CPUs I am aware of claim to provide transitivity.

**Quick Quiz C.15:**

Why is Alpha's `smp_read_barrier_depends()` an `smp_mb()` rather than `smp_rmb()`? ■

**Answer:**

First, Alpha has only `mb` and `wmb` instructions, so `smp_rmb()` would be implemented by the Alpha `mb` instruction in either case.

More importantly, `smp_read_barrier_depends()` must order subsequent stores. For example, consider the following code:

```
1 p = global_pointer;
2 smp_read_barrier_depends();
3 if (do_something_with(p->a, p->b) == 0)
4   p->hey_look = 1;
```

Here the store to `p->hey_look` must be ordered, not just the loads from `p->a` and `p->b`.

## F.20 Read-Copy Update Implementations

### Quick Quiz D.1:

Why is sleeping prohibited within Classic RCU read-side critical sections? ■

#### Answer:

Because sleeping implies a context switch, which in Classic RCU is a quiescent state, and RCU's grace-period detection requires that quiescent states never appear in RCU read-side critical sections.

### Quick Quiz D.2:

Why not permit sleeping in Classic RCU read-side critical sections by eliminating context switch as a quiescent state, leaving user-mode execution and idle loop as the remaining quiescent states? ■

#### Answer:

This would mean that a system undergoing heavy kernel-mode execution load (e.g., due to kernel threads) might never complete a grace period, which would cause it to exhaust memory sooner or later.

### Quick Quiz D.3:

Why is it OK to assume that updates separated by `synchronize_sched()` will be performed in order? ■

#### Answer:

Because this property is required for the `synchronize_sched()` aspect of RCU to work at all. For example, consider a code sequence that removes an object from a list, invokes `synchronize_sched()`, then frees the object. If this property did not hold, then that object might appear to be freed before it was removed from the list, which is precisely the situation that `synchronize_sched()` is supposed to prevent!

### Quick Quiz D.4:

Why must line 17 in `synchronize_srcu()` (Figure D.10) precede the release of the mutex on line 18? What would have to change to permit these two lines to be interchanged? Would such a change be worthwhile? Why or why not? ■

**Answer:**

Suppose that the order was reversed, and that CPU 0 has just reached line 13 of `synchronize_srcu()`, while both CPU 1 and CPU 2 start executing another `synchronize_srcu()` each, and CPU 3 starts executing a `srcu_read_lock()`. Suppose that CPU 1 reaches line 6 of `synchronize_srcu()` just before CPU 0 increments the counter on line 13. Most importantly, suppose that CPU 3 executes `srcu_read_lock()` out of order with the following SRCU read-side critical section, so that it acquires a reference to some SRCU-protected data structure *before* CPU 0 increments `sp->completed`, but executes the `srcu_read_lock()` *after* CPU 0 does this increment.

Then CPU 0 will *not* wait for CPU 3 to complete its SRCU read-side critical section before exiting the “while” loop on lines 15-16 and releasing the mutex (remember, the CPU could be reordering the code).

Now suppose that CPU 2 acquires the mutex next, and again increments `sp->completed`. This CPU will then have to wait for CPU 3 to exit its SRCU read-side critical section before exiting the loop on lines 15-16 and releasing the mutex. But suppose that CPU 3 again executes out of order, completing the `srcu_read_unlock()` prior to executing a final reference to the pointer it obtained when entering the SRCU read-side critical section.

CPU 1 will then acquire the mutex, but see that the `sp->completed` counter has incremented twice, and therefore take the early exit. The caller might well free up the element that CPU 3 is still referencing (due to CPU 3’s out-of-order execution).

To prevent this perhaps improbable, but entirely possible, scenario, the final `synchronize_sched()` must precede the mutex release in `synchronize_srcu()`.

Another approach would be to change to comparison on line 7 of `synchronize_srcu()` to check for at least three increments of the counter. However, such a change would increase the latency of a “bulk update” scenario, where a hash table is being updated or unloaded using multiple threads. In the current code, the latency of the resulting concurrent `synchronize_srcu()` calls would take at most two SRCU grace periods, while with this change, three would be required.

More experience will be required to determine which approach is really better. For one thing, there must first be some use of SRCU with multiple concurrent updaters.

**Quick Quiz D.5:**

Wait a minute! With all those new locks, how do you avoid deadlock? ■

**Answer:**

Deadlock is avoided by never holding more than one of the `rcu_node` structures’ locks at a given time. This algorithm uses two more locks, one to prevent CPU hotplug operations from running concurrently with grace-period advancement (`onofflock`) and another to permit only one CPU at a time from forcing a quiescent state to end quickly (`fqslock`). These are subject to a locking hierarchy, so that `fqslock` must be acquired before `onofflock`, which in turn must be acquired before any of the `rcu_node` structures’ locks.

Also, as a practical matter, refusing to ever hold more than one of the `rcu_node` locks means that it is unnecessary to track which ones are held. Such tracking would be painful as well as unnecessary.



**Quick Quiz D.6:**

Why stop at a 64-times reduction? Why not go for a few orders of magnitude instead? ■

**Answer:**

RCU works with no problems on systems with a few hundred CPUs, so allowing 64 CPUs to contend on a single lock leaves plenty of headroom. Keep in mind that these locks are acquired quite rarely, as each CPU will check in about one time per grace period, and grace periods extend for milliseconds.

**Quick Quiz D.7:**

But I don't care about McKenney's lame excuses in the answer to Quick Quiz 2!!! I want to get the number of CPUs contending on a single lock down to something reasonable, like sixteen or so!!! ■

**Answer:**

OK, have it your way, then! Set `CONFIG_RCU_FANOUT=16` and (for `NR_CPUS=4096`) you will get a three-level hierarchy with with 256 `rcu_node` structures at the lowest level, 16 `rcu_node` structures as intermediate nodes, and a single root-level `rcu_node`. The penalty you will pay is that more `rcu_node` structures will need to be scanned when checking to see which CPUs need help completing their quiescent states (256 instead of only 64).

**Quick Quiz D.8:**

OK, so what is the story with the colors? ■

**Answer:**

Data structures analogous to `rcu_state` (including `rcu_ctrlblk`) are yellow, those containing the bitmaps used to determine when CPUs have checked in are pink, and the per-CPU `rcu_data` structures are blue. The data structures used to conserve energy (such as `rcu_dynticks`) will be colored green.

**Quick Quiz D.9:**

Given such an egregious bug, why does Linux run at all? ■

**Answer:**

Because the Linux kernel contains device drivers that are (relatively) well behaved. Few if any of them spin in RCU read-side critical sections for the many milliseconds that would be required to provoke this bug. The bug nevertheless does need to be fixed, and this variant of RCU does fix it.

**Quick Quiz D.10:**

But doesn't this state diagram indicate that dyntick-idle CPUs will get hit with reschedule IPIs? Won't that wake them up? ■

**Answer:**

No. Keep in mind that RCU is handling groups of CPUs. One particular group might contain both dyntick-idle CPUs and CPUs in normal mode that have somehow managed to avoid passing through a quiescent state. Only the latter group will be sent a reschedule IPI; the dyntick-idle CPUs will merely be marked as being in an extended quiescent state.

**Quick Quiz D.11:**

But what happens if a CPU tries to report going through a quiescent state (by clearing its bit) before the bit-setting CPU has finished? ■

**Answer:**

There are three cases to consider here:

1. A CPU corresponding to a non-yet-initialized leaf `rcu_node` structure tries to report a quiescent state. This CPU will see its bit already cleared, so will give up on reporting its quiescent state. Some later quiescent state will serve for the new grace period.
2. A CPU corresponding to a leaf `rcu_node` structure that is currently being initialized tries to report a quiescent state. This CPU will see that the `rcu_node` structure's `->lock` is held, so will spin until it is released. But once the lock is released, the `rcu_node` structure will have been initialized, reducing to the following case.
3. A CPU corresponding to a leaf `rcu_node` that has already been initialized tries to report a quiescent state. This CPU will find its bit set, and will therefore clear it. If it is the last CPU for that leaf node, it will move up to the next level of the hierarchy. However, this CPU cannot possibly be the last CPU in the system to report a quiescent state, given that the CPU doing the initialization cannot yet have checked in.

So, in all three cases, the potential race is resolved correctly.

**Quick Quiz D.12:**

And what happens if *all* CPUs try to report going through a quiescent state before the bit-setting CPU has finished, thus ending the new grace period before it starts? ■

**Answer:**

The bit-setting CPU cannot pass through a quiescent state during initialization, as it has irqs disabled. Its bits therefore remain non-zero, preventing the grace period from ending until the data structure has been fully initialized.

**Quick Quiz D.13:**

And what happens if one CPU comes out of dyntick-idle mode and then passed through a quiescent state just as another CPU notices that the first CPU was in dyntick-idle mode? Couldn't they both attempt to report a quiescent state at the same time, resulting in confusion? ■

**Answer:**

They will both attempt to acquire the lock on the same leaf `rcu_node` structure. The first one to acquire the lock will report the quiescent state and clear the appropriate bit, and the second one to acquire the lock will see that this bit has already been cleared.

**Quick Quiz D.14:**

But what if *all* the CPUs end up in dyntick-idle mode? Wouldn't that prevent the current RCU grace period from ever ending? ■

**Answer:**

Indeed it will! However, CPUs that have RCU callbacks are not permitted to enter dyntick-idle mode, so the only way that *all* the CPUs could possibly end up in dyntick-idle mode would be if there were absolutely no RCU callbacks in the system. And if there are no RCU callbacks in the system, then there is no need for the RCU grace period to end. In fact, there is no need for the RCU grace period to even *start*.

RCU will restart if some irq handler does a `call_rcu()`, which will cause an RCU callback to appear on the corresponding CPU, which will force that CPU out of dyntick-idle mode, which will in turn permit the current RCU grace period to come to an end.

**Quick Quiz D.15:**

Given that `force_quiescent_state()` is a three-phase state machine, don't we have triple the scheduling latency due to scanning all the CPUs? ■

**Answer:**

Ah, but the three phases will not execute back-to-back on the same CPU, and, furthermore, the first (initialization) phase doesn't do any scanning. Therefore, the scheduling-latency hit of the three-phase algorithm is no different than that of a single-phase algorithm. If the scheduling latency becomes a problem, one approach would be to recode the state machine to scan the CPUs incrementally, most likely by keeping state on a per-leaf-`rcu_node` basis. But first show me a problem in the real world, *then* I will consider fixing it!

**Quick Quiz D.16:**

But the other reason to hold `->onofflock` is to prevent multiple concurrent online/offline operations, right? ■

**Answer:**

Actually, no! The CPU-hotplug code's synchronization design prevents multiple concurrent CPU online/offline operations, so only one CPU online/offline operation can be executing at any given time. Therefore, the only purpose of `->onofflock` is to prevent a CPU online or offline operation from running concurrently with grace-period initialization.

**Quick Quiz D.17:**

Given all these acquisitions of the global `->onofflock`, won't there be horrible lock contention when running with thousands of CPUs? ■

**Answer:**

Actually, there can be only three acquisitions of this lock per grace period, and each grace period lasts many milliseconds. One of the acquisitions is by the CPU initializing for the current grace period, and the other two onlining and offlining some CPU. These latter two cannot run concurrently due to the CPU-hotplug locking, so at most two CPUs can be contending for this lock at any given time.

Lock contention on `->onofflock` should therefore be no problem, even on systems with thousands of CPUs.

**Quick Quiz D.18:**

Why not simplify the code by merging the detection of dyntick-idle CPUs with that of offline CPUs? ■

**Answer:**

It might well be that such merging may eventually be the right thing to do. In the meantime, however, there are some challenges:

1. CPUs are not allowed to go into dyntick-idle mode while they have RCU callbacks pending, but CPUs *are* allowed to go offline with callbacks pending. This means that CPUs going offline need to have their callbacks migrated to some other CPU, thus, we cannot allow CPUs to simply go quietly offline.
2. Present-day Linux systems run with `NR_CPUS` much larger than the actual number of CPUs. A unified approach could thus end up uselessly waiting on CPUs that are not just offline, but which never existed in the first place.
3. RCU is already operational when CPUs get onlined one at a time during boot, and therefore must handle the online process. This onlining must exclude grace-period initialization, so the `->onofflock` must still be used.
4. CPUs often switch into and out of dyntick-idle mode extremely frequently, so it is not reasonable to use the heavyweight online/offline code path for entering and exiting dyntick-idle mode.

**Quick Quiz D.19:**

Why not simply disable bottom halves (softirq) when acquiring the `rcu_data` structure's lock? Wouldn't this be faster? ■

**Answer:**

Because this lock can be acquired from functions called by `call_rcu()`, which in turn can be invoked from irq handlers. Therefore, irqs *must* be disabled when holding this lock.

**Quick Quiz D.20:**

How about the `qsmask` and `qsmaskinit` fields for the leaf `rcu_node` structures? Doesn't there have to be some way to work out which of the bits in these fields corresponds to each CPU covered by the `rcu_node` structure in question? ■

**Answer:**

Indeed there does! The `grpmask` field in each CPU's `rcu_data` structure does this job.

**Quick Quiz D.21:**

But why bother setting `qs_pending` to one when a CPU is coming online, given that being offline is an extended quiescent state that should cover any ongoing grace period? ■

**Answer:**

Because this helps to resolve a race between a CPU coming online just as a new grace period is starting.

**Quick Quiz D.22:**

Why record the last completed grace period number in `passed_quiesc_completed`? Doesn't that cause this RCU implementation to be vulnerable to quiescent states seen while no grace period was in progress being incorrectly applied to the next grace period that starts? ■

**Answer:**

We record the last completed grace period number in order to avoid races where a quiescent state noted near the end of one grace period is incorrectly applied to the next grace period, especially for dyntick and CPU-offline grace periods. Therefore, `force_quiescent_state()` and friends all check the last completed grace period number to avoid such races.

Now these dyntick and CPU-offline grace periods are only checked for when a grace period is actually active. The only quiescent states that can be recorded when no grace period is in progress are self-detected quiescent states, which are recorded in the `passed_quiesc_completed`, `passed_quiesc`, and `qs_pending`. These variables are initialized every time the corresponding CPU notices that a new grace period has started, preventing any obsolete quiescent states from being applied to the new grace period.

All that said, optimizing grace-period latency may require that `gpnum` be tracked in addition to `completed`.

**Quick Quiz D.23:**

What is the point of running a system with `NR_CPUS` way bigger than the actual number of CPUs? ■

**Answer:**

Because this allows producing a single binary of the Linux kernel that runs on a wide

variety of systems, greatly easing administration and validation.

**Quick Quiz D.24:**

Why not simply have multiple lists rather than this funny multi-tailed list? ■

**Answer:**

Because this multi-tailed approach, due to Lai Jiangshan, simplifies callback processing.

**Quick Quiz D.25:**

So some poor CPU has to note quiescent states on behalf of each and every offline CPU? Yecch! Won't that result in excessive overheads in the not-uncommon case of a system with a small number of CPUs but a large value for NR\_CPUS? ■

**Answer:**

Actually, no it will not!

Offline CPUs are excluded from both the `qsmask` and `qsmaskinit` bit masks, so RCU normally ignores them. However, there are races with online/offline operations that can result in an offline CPU having its `qsmask` bit set. These races must of course be handled correctly, and the way they are handled is to permit other CPUs to note that RCU is waiting on a quiescent state from an offline CPU.

**Quick Quiz D.26:**

So what guards the earlier fields in this structure? ■

**Answer:**

Nothing does, as they are constants set at compile time or boot time. Of course, the fields internal to each `rcu_node` in the `->node` array may change, but they are guarded separately.

**Quick Quiz D.27:**

I thought that RCU read-side processing was supposed to be *fast*! The functions shown in Figure D.21 have so much junk in them that they just *have* to be slow! What gives here? ■

**Answer:**

Appearances can be deceiving. The `preempt_disable()`, `preempt_enable()`, `local_bh_disable()`, and `local_bh_enable()` each do a single non-atomic manipulation of local data. Even that assumes `CONFIG_PREEMPT`, otherwise, the `preempt_disable()` and `preempt_enable()` functions emit no code, not even compiler directives. The `__acquire()` and `__release()` functions emit no code (not even compiler directives), but are instead used by the `sparse` semantic-parsing bug-finding program. Finally, `rcu_read_acquire()` and `rcu_read_release()` emit no code (not even compiler directives) unless the “lockdep” lock-order debugging facility is enabled, in which case they can indeed be somewhat expensive.

In short, unless you are a kernel hacker who has enabled debugging options, these functions are extremely cheap, and in some cases, absolutely free of overhead. And, in the words of a Portland-area furniture retailer, “free is a *very* good price”.

**Quick Quiz D.28:**

Why not simply use `__get_cpu_var()` to pick up a reference to the current CPU’s `rcu_data` structure on line 13 in Figure D.22? ■

**Answer:**

Because we might be called either from `call_rcu()` (in which case we would need `__get_cpu_var(rcu_data)`) or from `call_rcu_bh()` (in which case we would need `__get_cpu_var(rcu_bh_data)`). Using the `->rda[]` array of whichever `rcu_state` structure we were passed works correctly regardless of which API `__call_rcu()` was invoked from (suggested by Lai Jiangshan [Jia08]).

**Quick Quiz D.29:**

Given that `rcu_pending()` is always called twice on lines 29-32 of Figure D.23, shouldn’t there be some way to combine the checks of the two structures? ■

**Answer:**

Sorry, but this was a trick question. The C language’s short-circuit boolean expression evaluation means that `__rcu_pending()` is invoked on `rcu_bh_state` only if the prior invocation on `rcu_state` returns zero.

The reason the two calls are in this order is that “rcu” is used more heavily than is “rcu\_bh”, so the first call is more likely to return non-zero than is the second.

**Quick Quiz D.30:**

Shouldn’t line 42 of Figure D.23 also check for `in_hardirq()`? ■

**Answer:**

No. The `rcu_read_lock_bh()` primitive disables softirq, not hardirq. Because `call_rcu_bh()` need only wait for pre-existing “rcu\_bh” read-side critical sections to complete, we need only check `in_softirq()`.

**Quick Quiz D.31:**

But don’t we also need to check that a grace period is actually in progress in `__rcu_process_callbacks` in Figure D.24? ■

**Answer:**

Indeed we do! And the first thing that `force_quiescent_state()` does is to perform exactly that check.

**Quick Quiz D.32:**

What happens if two CPUs attempt to start a new grace period concurrently in Fig-

ure D.24? ■

**Answer:**

One of the CPUs will be the first to acquire the root `rcu_node` structure's lock, and that CPU will start the grace period. The other CPU will then acquire the lock and invoke `rcu_start_gp()`, which, seeing that a grace period is already in progress, will immediately release the lock and return.

**Quick Quiz D.33:**

How does the code traverse a given path through the `rcu_node` hierarchy from root to leaves? ■

**Answer:**

It turns out that the code never needs to do such a traversal, so there is nothing special in place to handle this.

**Quick Quiz D.34:**

C-preprocessor macros are *so* 1990s! Why not get with the times and convert `RCU_DATA_PTR_INIT()` in Figure D.29 to be a function? ■

**Answer:**

Because, although it is possible to pass a reference to a particular CPU's instance of a per-CPU variable to a function, there does not appear to be a good way pass a reference to the full set of instances of a given per-CPU variable to a function. One could of course build an array of pointers, then pass a reference to the array in, but that is part of what the `RCU_DATA_PTR_INIT()` macro is doing in the first place.

**Quick Quiz D.35:**

What happens if a CPU comes online between the time that the last online CPU is notified on lines 25-26 of Figure D.29 and the time that `register_cpu_notifier()` is invoked on line 27? ■

**Answer:**

Only one CPU is online at this point, so the only way another CPU can come online is if this CPU puts it online, which it is not doing.

**Quick Quiz D.36:**

Why call `cpu_quiet()` on line 41 of Figure D.30, given that we are excluding grace periods with various locks, and given that any earlier grace periods would not have been waiting on this previously-offlined CPU? ■

**Answer:**

A new grace period might have started just after the `->onofflock` was released on line 40. The `cpu_quiet()` will help expedite such a grace period.



**Quick Quiz D.37:**

But what if the `rcu_node` hierarchy has only a single structure, as it would on a small system? What prevents concurrent grace-period initialization in that case, given the code in Figure D.32? ■

**Answer:**

The later acquisition of the sole `rcu_node` structure's `->lock` on line 16 excludes grace-period initialization, which must acquire this same lock in order to initialize this sole `rcu_node` structure for the new grace period.

The `->onofflock` is needed only for multi-node hierarchies, and is used in that case as an alternative to acquiring and holding *all* of the `rcu_node` structures' `->lock` fields, which would be incredibly painful on large systems.

**Quick Quiz D.38:**

But does line 25 of Figure D.32 ever really exit the loop? Why or why not? ■

**Answer:**

The only way that line 25 could exit the loop is if *all* CPUs were to be put offline. This cannot happen in the Linux kernel as of 2.6.28, though other environments have been designed to offline all CPUs during the normal shutdown procedure.

**Quick Quiz D.39:**

Suppose that line 26 got executed seriously out of order in Figure D.32, so that `lastcomp` is set to some prior grace period, but so that the current grace period is still waiting on the now-offline CPU? In this case, won't the call to `cpu_quiet()` fail to report the quiescent state, thus causing the grace period to wait forever for this now-offline CPU? ■

**Answer:**

First, the lock acquisitions on lines 16 and 12 would prevent the execution of line 26 from being pushed that far out of order. Nevertheless, even if line 26 managed to be mis-ordered that dramatically, what would happen is that `force_quiescent_state()` would eventually be invoked, and would notice that the current grace period was waiting for a quiescent state from an offline CPU. Then `force_quiescent_state()` would report the extended quiescent state on behalf of the offlined CPU.

**Quick Quiz D.40:**

Given that an offline CPU is in an extended quiescent state, why does line 28 of Figure D.32 need to care which grace period it is dealing with? ■

**Answer:**

It really does not need to care in this case. However, because it *does* need to care in many other cases, the `cpu_quiet()` function does take the grace-period number as an argument, so some value must be supplied.

**Quick Quiz D.41:**

But this list movement in Figure D.32 makes all of the going-offline CPU's callbacks go through another grace period, even if they were ready to invoke. Isn't that inefficient? Furthermore, couldn't an unfortunate pattern of CPUs going offline then coming back online prevent a given callback from ever being invoked? ■

**Answer:**

It is inefficient, but it is simple. Given that this is not a commonly executed code path, this is the right tradeoff. The starvation case would be a concern, except that the online and offline process involves multiple grace periods.

**Quick Quiz D.42:**

Why not just expand `note_new_gpnum()` inline into `check_for_new_grace_period()` in Figure D.34? ■

**Answer:**

Because `note_new_gpnum()` must be called for each new grace period, including both those started by this CPU and those started by other CPUs. In contrast, `check_for_new_grace_period()` is called only for the case where some other CPU started the grace period.

**Quick Quiz D.43:**

But there has been no initialization yet at line 15 of Figure D.37! What happens if a CPU notices the new grace period and immediately attempts to report a quiescent state? Won't it get confused? ■

**Answer:**

There are two cases of interest.

In the first case, there is only a single `rcu_node` structure in the hierarchy. Since the CPU executing in `rcu_start_gp()` is currently holding that `rcu_node` structure's lock, the CPU attempting to report the quiescent state will not be able to acquire this lock until initialization is complete, at which point the quiescent state will be reported normally.

In the second case, there are multiple `rcu_node` structures, and the leaf `rcu_node` structure corresponding to the CPU that is attempting to report the quiescent state already has that CPU's `->qsmask` bit cleared. Therefore, the CPU attempting to report the quiescent state will give up, and some later quiescent state for that CPU will be applied to the new grace period.

**Quick Quiz D.44:**

Hey! Shouldn't we hold the non-leaf `rcu_node` structures' locks when munging their state in line 37 of Figure D.37??? ■

**Answer:**

There is no need to hold their locks. The reasoning is as follows:

1. The new grace period cannot end, because the running CPU (which is initializing it) won't pass through a quiescent state. Therefore, there is no race with another invocation of `rcu_start_gp()`.
2. The running CPU holds `->onofflock`, so there is no race with CPU-hotplug operations.
3. The leaf `rcu_node` structures are not yet initialized, so they have all of their `->qsmask` bits cleared. This means that any other CPU attempting to report a quiescent state will stop at the leaf level, and thus cannot race with the current CPU for non-leaf `rcu_node` structures.
4. The RCU tracing functions access, but do not modify, the `rcu_node` structures' fields. Races with these functions is therefore harmless.

**Quick Quiz D.45:**

Why can't we merge the loop spanning lines 36-37 with the loop spanning lines 40-44 in Figure D.37? ■

**Answer:**

If we were to do so, we would either be needlessly acquiring locks for the non-leaf `rcu_node` structures or would need ugly checks for a given node being a leaf node on each pass through the loop. (Recall that we must acquire the locks for the leaf `rcu_node` structures due to races with CPUs attempting to report quiescent states.)

Nevertheless, it is quite possible that experience on very large systems will show that such merging is in fact the right thing to do.

**Quick Quiz D.46:**

What prevents lines 11-12 of Figure D.39 from reporting a quiescent state from a prior grace period against the current grace period? ■

**Answer:**

If this could occur, it would be a serious bug, since the CPU in question might be in an RCU read-side critical section that started before the beginning of the current grace period.

There are several cases to consider for the CPU in question:

1. It remained online and active throughout.
2. It was in `dynticks-idle` mode for at least part of the current grace period.
3. It was offline for at least part of the current grace period.

In the first case, the prior grace period could not have ended without this CPU explicitly reporting a quiescent state, which would leave `->qspending` zero. This in turn would mean that lines 7-8 would return, so that control would not reach `cpu_quiet()` unless `check_for_new_grace_period()` had noted the new grace period. However, if the current grace period had been noted, it would also have set

->passed\_quiesc to zero, in which case lines 9-10 would have returned, again meaning that `cpu_quiet()` would not be invoked. Finally, the only way that `->passed_quiesc` could be invoked would be if `rcu_check_callbacks()` was invoked by a scheduling-clock interrupt that occurred somewhere between lines 5 and 9 of `rcu_check_quiescent_state()` in Figure D.39. However, this would be a case of a quiescent state occurring in the *current* grace period, which would be totally legitimate to report against the current grace period. So this case is correctly covered.

In the second case, where the CPU in question spent part of the new quiescent state in `dynticks-idle` mode, note that `dynticks-idle` mode is an extended quiescent state, hence it is again permissible to report this quiescent state against the current grace period.

In the third case, where the CPU in question spent part of the new quiescent state offline, note that offline CPUs are in an extended quiescent state, which is again permissible to report against the current grace period.

So quiescent states from prior grace periods are never reported against the current grace period.

**Quick Quiz D.47:**

How do lines 22-23 of Figure D.40 know that it is safe to promote the running CPU's RCU callbacks? ■

**Answer:**

Because the specified CPU has not yet passed through a quiescent state, and because we hold the corresponding leaf node's lock, we know that the current grace period cannot possibly have ended yet. Therefore, there is no danger that any of the callbacks currently queued were registered after the next grace period started, given that they have already been queued and the next grace period has not yet started.

**Quick Quiz D.48:**

Given that argument `mask` on line 2 of Figure D.41 is an unsigned long, how can it possibly deal with systems with more than 64 CPUs? ■

**Answer:**

Because `mask` is specific to the specified leaf `rcu_node` structure, it need only be large enough to represent the CPUs corresponding to that particular `rcu_node` structure. Since at most 64 CPUs may be associated with a given `rcu_node` structure (32 CPUs on 32-bit systems), the unsigned long `mask` argument suffices.

**Quick Quiz D.49:**

How do RCU callbacks on `dynticks-idle` or offline CPUs get invoked? ■

**Answer:**

They don't. CPUs with RCU callbacks are not permitted to enter `dynticks-idle` mode, so `dynticks-idle` CPUs never have RCU callbacks. When CPUs go offline, their RCU callbacks are migrated to an online CPU, so offline CPUs never have RCU callbacks, either. Thus, there is no need to invoke callbacks on `dynticks-idle` or offline CPUs.

**Quick Quiz D.50:**

Why would lines 14-17 in Figure D.43 need to adjust the tail pointers? ■

**Answer:**

If any of the tail pointers reference the last callback in the sublist that was ready to invoke, they must be changed to instead reference the `->nxtlist` pointer. This situation occurs when the sublists immediately following the ready-to-invoke sublist are empty.

**Quick Quiz D.51:**

But how does the code in Figure D.45 handle nested NMIs? ■

**Answer:**

It does not have to handle nested NMIs, because NMIs do not nest.

**Quick Quiz D.52:**

Why isn't there a memory barrier between lines 8 and 9 of Figure D.47? Couldn't this cause the code to fetch even-numbered values from both the `->dynticks` and `->dynticks_nmi` fields, even though these two fields never were zero at the same time? ■

**Answer:**

First, review the code in Figures D.44, D.45, and D.46, and note that `dynticks` and `dynticks_nmi` will never have odd values simultaneously (see especially lines 6 and 17 of Figure D.45, and recall that interrupts cannot happen from NMIs).

Of course, given the placement of the memory barriers in these functions, it might *appear* to another CPU that both counters were odd at the same time, but logically this cannot happen, and would indicate that the CPU had in fact passed through `dynticks-idle` mode.

Now, let's suppose that at the time line 8 fetches `->dynticks`, the value of `->dynticks_nmi` was at odd number, and that at the time line 9 fetches `->dynticks_nmi`, the value of `->dynticks` was an odd number. Given that both counters cannot be odd simultaneously, there must have been a time between these two fetches when both counters were even, and thus a time when the CPU was in `dynticks-idle` mode, which is a quiescent state, as required.

So, why can't the `&&` on line 13 of Figure D.47 be replaced with an `==`? Well, it could be, but this would likely be more confusing than helpful.

**Quick Quiz D.53:**

Why wait the extra couple jiffies on lines 12-13 in Figure D.55? ■

**Answer:**

This added delay gives the offending CPU a better chance of reporting on itself, thus getting a decent stack trace of the stalled code. Of course, if the offending CPU is spinning with interrupts disabled, it will never report on itself, so other CPUs do so after

a short delay.

**Quick Quiz D.54:**

What prevents the grace period from ending before the stall warning is printed in Figure D.56? ■

**Answer:**

The caller checked that this CPU still had not reported a quiescent state, and because preemption is disabled, there is no way that a quiescent state could have been reported in the meantime.

**Quick Quiz D.55:**

Why does `print_other_cpu_stall()` in Figure D.57 need to check for the grace period ending when `print_cpu_stall()` did not? ■

**Answer:**

The other CPUs might pass through a quiescent state at any time, so the grace period might well have ended in the meantime.

**Quick Quiz D.56:**

Why is it important that blocking primitives called from within a preemptible-RCU read-side critical section be subject to priority inheritance? ■

**Answer:**

Because blocked readers stall RCU grace periods, which can result in OOM. For example, if a reader did a `wait_event()` within an RCU read-side critical section, and that event never occurred, then RCU grace periods would stall indefinitely, guaranteeing that the system would OOM sooner or later. There must therefore be some way to cause these readers to progress through their read-side critical sections in order to avoid such OOMs. Priority boosting is one way to force such progress, but only if readers are restricted to blocking such that they can be awakened via priority boosting.

Of course, there are other methods besides priority inheritance that handle the priority inversion problem, including priority ceiling, preemption disabling, and so on. However, there are good reasons why priority inheritance is the approach used in the Linux kernel, so this is what is used for RCU.

**Quick Quiz D.57:**

Could the prohibition against using primitives that would block in a non-`CONFIG_PREEMPT` kernel be lifted, and if so, under what conditions? ■

**Answer:**

If testing and benchmarking demonstrated that the preemptible RCU worked well enough that classic RCU could be dispensed with entirely, and if priority inheritance was implemented for blocking synchronization primitives such as `semaphores`, then

those primitives could be used in RCU read-side critical sections.

**Quick Quiz D.58:**

How is it possible for lines 38-43 of `__rcu_advance_callbacks()` to be executed when lines 7-37 have not? Won't they both be executed just after a counter flip, and never at any other time? ■

**Answer:**

Consider the following sequence of events:

1. CPU 0 executes lines 5-12 of `rcu_try_flip_idle()`.
2. CPU 1 executes `__rcu_advance_callbacks()`. Because `rcu_ctrlblk.completed` has been incremented, lines 7-37 execute. However, none of the `rcu_flip_flag` variables have been set, so lines 38-43 do *not* execute.
3. CPU 0 executes lines 13-15 of `rcu_try_flip_idle()`.
4. Later, CPU 1 again executes `__rcu_advance_callbacks()`. The counter has not been incremented since the earlier execution, but the `rcu_flip_flag` variables have all been set, so only lines 38-43 are executed.

**Quick Quiz D.59:**

What problems could arise if the lines containing `ACCESS_ONCE()` in `rcu_read_unlock()` were reordered by the compiler? ■

**Answer:**

1. If the `ACCESS_ONCE()` were omitted from the fetch of `rcu_flipctr_idx` (line 14), then the compiler would be within its rights to eliminate `idx`. It would also be free to compile the `rcu_flipctr` decrement as a fetch-increment-store sequence, separately fetching `rcu_flipctr_idx` for both the fetch and the store. If an NMI were to occur between the fetch and the store, and if the NMI handler contained an `rcu_read_lock()`, then the value of `rcu_flipctr_idx` would change in the meantime, resulting in corruption of the `rcu_flipctr` values, destroying the ability to correctly identify grace periods.
2. Another failure that could result from omitting the `ACCESS_ONCE()` from line 14 is due to the compiler reordering this statement to follow the decrement of `rcu_read_lock_nesting` (line 16). In this case, if an NMI were to occur between these two statements, then any `rcu_read_lock()` in the NMI handler could corrupt `rcu_flipctr_idx`, causing the wrong `rcu_flipctr` to be decremented. As with the analogous situation in `rcu_read_lock()`, this could result in premature grace-period termination, an indefinite grace period, or even both.
3. If `ACCESS_ONCE()` macros were omitted such that the update of `rcu_read_lock_nesting` could be interchanged by the compiler with the decrement of

`rcu_flipctr`, and if an NMI occurred in between, any `rcu_read_lock()` in the NMI handler would incorrectly conclude that it was protected by an enclosing `rcu_read_lock()`, and fail to increment the `rcu_flipctr` variables.

It is not clear that the `ACCESS_ONCE()` on the fetch of `rcu_read_lock_nesting` (line 7) is required.

**Quick Quiz D.60:**

What problems could arise if the lines containing `ACCESS_ONCE()` in `rcu_read_unlock()` were reordered by the CPU? ■

**Answer:**

Absolutely none! The code in `rcu_read_unlock()` interacts with the scheduling-clock interrupt handler running on the same CPU, and is thus insensitive to reorderings because CPUs always see their own accesses as if they occurred in program order. Other CPUs do access the `rcu_flipctr`, but because these other CPUs don't access any of the other variables, ordering is irrelevant.

**Quick Quiz D.61:**

What problems could arise in `rcu_read_unlock()` if irqs were not disabled? ■

**Answer:**

1. Disabling irqs has the side effect of disabling preemption. Suppose that this code were to be preempted in the midst of line 17 between selecting the current CPU's copy of the `rcu_flipctr` array and the decrement of the element indicated by `rcu_flipctr_idx`. Execution might well resume on some other CPU. If this resumption happened concurrently with an `rcu_read_lock()` or `rcu_read_unlock()` running on the original CPU, an increment or decrement might be lost, resulting in either premature termination of a grace period, indefinite extension of a grace period, or even both.
2. Failing to disable preemption can also defeat RCU priority boosting, which relies on `rcu_read_lock_nesting` to determine which tasks to boost. If preemption occurred between the update of `rcu_read_lock_nesting` (line 16) and of `rcu_flipctr` (line 17), then a grace period might be stalled until this task resumed. But because the RCU priority booster has no way of knowing that this particular task is stalling grace periods, needed boosting will never occur. Therefore, if there are CPU-bound realtime tasks running, the preempted task might never resume, stalling grace periods indefinitely, and eventually resulting in OOM.

Of course, both of these situations could be handled by disabling preemption rather than disabling irqs. (The CPUs I have access to do not show much difference between these two alternatives, but others might.)

**Quick Quiz D.62:**



Suppose that the irq disabling in `rcu_read_lock()` was replaced by preemption disabling. What effect would that have on `GP_STAGES`? ■

**Answer:**

No finite value of `GP_STAGES` suffices. The following scenario, courtesy of Oleg Nesterov, demonstrates this:

Suppose that low-priority Task A has executed `rcu_read_lock()` on CPU 0, and thus has incremented `per_cpu(rcu_flipctr, 0)[0]`, which thus has a value of one. Suppose further that Task A is now preempted indefinitely.

Given this situation, consider the following sequence of events:

1. Task B starts executing `rcu_read_lock()`, also on CPU 0, picking up the low-order bit of `rcu_ctrlblk.completed`, which is still equal to zero.
2. Task B is interrupted by a sufficient number of scheduling-clock interrupts to allow the current grace-period stage to complete, and also be sufficient long-running interrupts to allow the RCU grace-period state machine to advance the `rcu_ctrlblk.complete` counter so that its bottom bit is now equal to one and all CPUs have acknowledged this increment operation.
3. CPU 1 starts summing the `index==0` counters, starting with `per_cpu(rcu_flipctr, 0)[0]`, which is equal to one due to Task A's increment. CPU 1's local variable `sum` is therefore equal to one.
4. Task B returns from interrupt, resuming its execution of `rcu_read_lock()`, incrementing `per_cpu(rcu_flipctr, 0)[0]`, which now has a value of two.
5. Task B is migrated to CPU 2.
6. Task B completes its RCU read-side critical section, and executes `rcu_read_unlock()`, which decrements `per_cpu(rcu_flipctr, 2)[0]`, which is now -1.
7. CPU 1 now adds `per_cpu(rcu_flipctr, 1)[0]` and `per_cpu(rcu_flipctr, 2)[0]` to its local variable `sum`, obtaining the value zero.
8. CPU 1 then incorrectly concludes that all prior RCU read-side critical sections have completed, and advances to the next RCU grace-period stage. This means that some other task might well free up data structures that Task A is still using!

This sequence of events could repeat indefinitely, so that no finite value of `GP_STAGES` could prevent disrupting Task A. This sequence of events demonstrates the importance of the promise made by CPUs that acknowledge an increment of `rcu_ctrlblk.completed`, as the problem illustrated by the above sequence of events is caused by Task B's repeated failure to honor this promise.

Therefore, more-pervasive changes to the grace-period state will be required in order for `rcu_read_lock()` to be able to safely dispense with irq disabling.

**Quick Quiz D.63:**

Why can't the `rcu_dereference()` precede the memory barrier? ■

**Answer:**

Because the memory barrier is being executed in an interrupt handler, and interrupts are exact in the sense that a single value of the PC is saved upon interrupt, so that the interrupt occurs at a definite place in the code. Therefore, if the `rcu_dereference()` were to precede the memory barrier, the interrupt would have had to have occurred after the `rcu_dereference()`, and therefore the interrupt would also have had to have occurred after the `rcu_read_lock()` that begins the RCU read-side critical section. This would have forced the `rcu_read_lock()` to use the earlier value of the grace-period counter, which would in turn have meant that the corresponding `rcu_read_unlock()` would have had to precede the first “Old counters zero [0]” rather than the second one. This in turn would have meant that the read-side critical section would have been much shorter — which would have been counter-productive, given that the point of this exercise was to identify the longest possible RCU read-side critical section.

**Quick Quiz D.64:**

What is a more precise way to say “CPU 0 might see CPU 1’s increment as early as CPU 1’s last previous memory barrier”? ■

**Answer:**

First, it is important to note that the problem with the less-precise statement is that it gives the impression that there might be a single global timeline, which there is not, at least not for popular microprocessors. Second, it is important to note that memory barriers are all about perceived ordering, not about time. Finally, a more precise way of stating above statement would be as follows: “If CPU 0 loads the value resulting from CPU 1’s increment, then any subsequent load by CPU 0 will see the values from any relevant stores by CPU 1 if these stores preceded CPU 1’s last prior memory barrier.”

Even this more-precise version leaves some wiggle room. The word “subsequent” must be understood to mean “ordered after”, either by an explicit memory barrier or by the CPU’s underlying memory ordering. In addition, the memory barriers must be strong enough to order the relevant operations. For example, CPU 1’s last prior memory barrier must order stores (for example, `smp_wmb()` or `smp_mb()`). Similarly, if CPU 0 needs an explicit memory barrier to ensure that its later load follows the one that saw the increment, then this memory barrier needs to be an `smp_rmb()` or `smp_mb()`.

In general, much care is required when proving parallel algorithms.

## Appendix G

# Glossary and Bibliography

**Associativity:** The number of cache lines that can be held simultaneously in a given cache, when all of these cache lines hash identically in that cache. A cache that could hold four cache lines for each possible hash value would be termed a “four-way set-associative” cache, while a cache that could hold only one cache line for each possible hash value would be termed a “direct-mapped” cache. A cache whose associativity was equal to its capacity would be termed a “fully associative” cache. Fully associative caches have the advantage of eliminating associativity misses, but, due to hardware limitations, fully associative caches are normally quite limited in size. The associativity of the large caches found on modern microprocessors typically range from two-way to eight-way.

**Associativity Miss:** A cache miss incurred because the corresponding CPU has recently accessed more data hashing to a given set of the cache than will fit in that set. Fully associative caches are not subject to associativity misses (or, equivalently, in fully associative caches, associativity and capacity misses are identical).

**Atomic:** An operation is considered “atomic” if it is not possible to observe any intermediate state. For example, on most CPUs, a store to a properly aligned pointer is atomic, because other CPUs will see either the old value or the new value, but are guaranteed not to see some mixed value containing some pieces of the new and old values.

**Cache:** In modern computer systems, CPUs have caches in which to hold frequently used data. These caches can be thought of as hardware hash tables with very simple hash functions, but in which each hash bucket (termed a “set” by hardware types) can hold only a limited number of data items. The number of data items that can be held by each of a cache’s hash buckets is termed the cache’s “associativity”. These data items are normally called “cache lines”, which can be thought of a fixed-length blocks of data that circulate among the CPUs and memory.

**Cache Coherence:** A property of most modern SMP machines where all CPUs will observe a sequence of values for a given variable that is consistent with at least one global order of values for that variable. Cache coherence also guarantees that at the end of a group of stores to a given variable, all CPUs will agree on the final value for that variable. Note that cache coherence applies only to the series of values taken on by a single variable. In contrast, the memory consistency model

for a given machine describes the order in which loads and stores to groups of variables will appear to occur. See Section 14.2.4.2 for more information.

**Cache Coherence Protocol:** A communications protocol, normally implemented in hardware, that enforces memory consistency and ordering, preventing different CPUs from seeing inconsistent views of data held in their caches.

**Cache Geometry:** The size and associativity of a cache is termed its geometry. Each cache may be thought of as a two-dimensional array, with rows of cache lines (“sets”) that have the same hash value, and columns of cache lines (“ways”) in which every cache line has a different hash value. The associativity of a given cache is its number of columns (hence the name “way” – a two-way set-associative cache has two “ways”), and the size of the cache is its number of rows multiplied by its number of columns.

**Cache Line:** (1) The unit of data that circulates among the CPUs and memory, usually a moderate power of two in size. Typical cache-line sizes range from 16 to 256 bytes.

(2) A physical location in a CPU cache capable of holding one cache-line unit of data.

(3) A physical location in memory capable of holding one cache-line unit of data, but that it also aligned on a cache-line boundary. For example, the address of the first word of a cache line in memory will end in 0x00 on systems with 256-byte cache lines.

**Cache Miss:** A cache miss occurs when data needed by the CPU is not in that CPU’s cache. The data might be missing because of a number of reasons, including: (1) this CPU has never accessed the data before (“startup” or “warmup” miss), (2) this CPU has recently accessed more data than would fit in its cache, so that some of the older data had to be removed (“capacity” miss), (3) this CPU has recently accessed more data in a given set<sup>1</sup> than that set could hold (“associativity” miss), (4) some other CPU has written to the data (or some other data in the same cache line) since this CPU has accessed it (“communication miss”), or (5) this CPU attempted to write to a cache line that is currently read-only, possibly due to that line being replicated in other CPUs’ caches.

**Capacity Miss:** A cache miss incurred because the corresponding CPU has recently accessed more data than will fit into the cache.

**Code Locking:** A simple locking design in which a “global lock” is used to protect a set of critical sections, so that access by a given thread to that set is granted or denied based only on the set of threads currently occupying the set of critical sections, not based on what data the thread intends to access. The scalability of a code-locked program is limited by the code; increasing the size of the data set will normally not increase scalability (in fact, will typically *decrease* scalability by increasing “lock contention”). Contrast with “data locking”.

**Communication Miss:** A cache miss incurred because the some other CPU has written to the cache line since the last time this CPU accessed it.

---

<sup>1</sup> In hardware-cache terminology, the word “set” is used in the same way that the word “bucket” is used when discussing software caches.

**Critical Section:** A section of code guarded by some synchronization mechanism, so that its execution is constrained by that primitive. For example, if a set of critical sections are guarded by the same global lock, then only one of those critical sections may be executing at a given time. If a thread is executing in one such critical section, any other threads must wait until the first thread completes before executing any of the critical sections in the set.

**Data Locking:** A scalable locking design in which each instance of a given data structure has its own lock. If each thread is using a different instance of the data structure, then all of the threads may be executing in the set of critical sections simultaneously. Data locking has the advantage of automatically scaling to increasing numbers of CPUs as the number of instances of data grows. Contrast with “code locking”.

**Direct-Mapped Cache:** A cache with only one way, so that it may hold only one cache line with a given hash value.

**Embarrassingly Parallel:** A problem or algorithm where adding threads does not significantly increase the overall cost of the computation, resulting in linear speedups as threads are added (assuming sufficient CPUs are available).

**Exclusive Lock:** An exclusive lock is a mutual-exclusion mechanism that permits only one thread at a time into the set of critical sections guarded by that lock.

**False Sharing:** If two CPUs each frequently write to one of a pair of data items, but the pair of data items are located in the same cache line, this cache line will be repeatedly invalidated, “ping-ponging” back and forth between the two CPUs’ caches. This is a common cause of “cache thrashing”, also called “cacheline bouncing” (the latter most commonly in the Linux community). False sharing can dramatically reduce both performance and scalability.

**Fragmentation:** A memory pool that has a large amount of unused memory, but not laid out to permit satisfying a relatively small request is said to be fragmented. External fragmentation occurs when the space is divided up into small fragments lying between allocated blocks of memory, while internal fragmentation occurs when specific requests or types of requests have been allotted more memory than they actually requested.

**Fully Associative Cache:** A fully associative cache contains only one set, so that it can hold any subset of memory that fits within its capacity.

**Grace Period:** A grace period is any contiguous time interval such that any RCU read-side critical section that began before the start of that interval has completed before the end of that same interval. Many RCU implementations define a grace period to be a time interval during which each thread has passed through at least one quiescent state. Since RCU read-side critical sections by definition cannot contain quiescent states, these two definitions are almost always interchangeable.

**Heisenbug:** A timing-sensitive bug that disappears from sight when you add print statements or tracing in an attempt to track it down.

**Hot Spot:** Data structure that is very heavily used, resulting in high levels of contention on the corresponding lock. One example of this situation would be a hash table with a poorly chosen hash function.

**Humiliatingly Parallel:** A problem or algorithm where adding threads significantly *decreases* the overall cost of the computation, resulting in large superlinear speedups as threads are added (assuming sufficient CPUs are available).

**Invalidation:** When a CPU wishes to write to a data item, it must first ensure that this data item is not present in any other CPUs' cache. If necessary, the item is removed from the other CPUs' caches via "invalidation" messages from the writing CPUs to any CPUs having a copy in their caches.

**IPI:** Inter-processor interrupt, which is an interrupt sent from one CPU to another. IPIs are used heavily in the Linux kernel, for example, within the scheduler to alert CPUs that a high-priority process is now runnable.

**IRQ:** Interrupt request, often used as an abbreviation for "interrupt" within the Linux kernel community, as in "irq handler".

**Linearizable:** A sequence of operations is "linearizable" if there is at least one global ordering of the sequence that is consistent with the observations of all CPUs/threads.

**Lock:** A software abstraction that can be used to guard critical sections, as such, an example of a "mutual exclusion mechanism". An "exclusive lock" permits only one thread at a time into the set of critical sections guarded by that lock, while a "reader-writer lock" permits any number of reading threads, or but one writing thread, into the set of critical sections guarded by that lock. (Just to be clear, the presence of a writer thread in any of a given reader-writer lock's critical sections will prevent any reader from entering any of that lock's critical sections and vice versa.)

**Lock Contention:** A lock is said to be suffering contention when it is being used so heavily that there is often a CPU waiting on it. Reducing lock contention is often a concern when designing parallel algorithms and when implementing parallel programs.

**Memory Consistency:** A set of properties that impose constraints on the order in which accesses to groups of variables appear to occur. Memory consistency models range from sequential consistency, a very constraining model popular in academic circles, through process consistency, release consistency, and weak consistency.

**MESI Protocol:** The cache-coherence protocol featuring modified, exclusive, shared, and invalid (MESI) states, so that this protocol is named after the states that the cache lines in a given cache can take on. A modified line has been recently written to by this CPU, and is the sole representative of the current value of the corresponding memory location. An exclusive cache line has not been written to, but this CPU has the right to write to it at any time, as the line is guaranteed not to be replicated into any other CPU's cache (though the corresponding location in main memory is up to date). A shared cache line is (or might be) replicated in some other CPUs' cache, meaning that this CPU must interact with those other CPUs before writing to this cache line. An invalid cache line contains no value, instead representing "empty space" in the cache into which data from memory might be loaded.

**Mutual-Exclusion Mechanism:** A software abstraction that regulates threads' access to "critical sections" and corresponding data.

**NMI:** Non-maskable interrupt. As the name indicates, this is an extremely high-priority interrupt that cannot be masked. These are used for hardware-specific purposes such as profiling. The advantage of using NMIs for profiling is that it allows you to profile code that runs with interrupts disabled.

**NUCA:** Non-uniform cache architecture, where groups of CPUs share caches. CPUs in a group can therefore exchange cache lines with each other much more quickly than they can with CPUs in other groups. Systems comprised of CPUs with hardware threads will generally have a NUCA architecture.

**NUMA:** Non-uniform memory architecture, where memory is split into banks and each such bank is "close" to a group of CPUs, the group being termed a "NUMA node". An example NUMA machine is Sequent's NUMA-Q system, where each group of four CPUs had a bank of memory near by. The CPUs in a given group can access their memory much more quickly than another group's memory.

**NUMA Node:** A group of closely placed CPUs and associated memory within a larger NUMA machines. Note that a NUMA node might well have a NUCA architecture.

**Pipelined CPU:** A CPU with a pipeline, which is an internal flow of instructions internal to the CPU that is in some way similar to an assembly line, with many of the same advantages and disadvantages. In the 1960s through the early 1980s, pipelined CPUs were the province of supercomputers, but started appearing in microprocessors (such as the 80486) in the late 1980s.

**Process Consistency:** A memory-consistency model in which each CPU's stores appear to occur in program order, but in which different CPUs might see accesses from more than one CPU as occurring in different orders.

**Program Order:** The order in which a given thread's instructions would be executed by a now-mythical "in-order" CPU that completely executed each instruction before proceeding to the next instruction. (The reason such CPUs are now the stuff of ancient myths and legends is that they were extremely slow. These dinosaurs were one of the many victims of Moore's-Law-driven increases in CPU clock frequency. Some claim that these beasts will roam the earth once again, others vehemently disagree.)

**Quiescent State:** In RCU, a point in the code where there can be no references held to RCU-protected data structures, which is normally any point outside of an RCU read-side critical section. Any interval of time during which all threads pass through at least one quiescent state each is termed a "grace period".

**Read-Copy Update (RCU):** A synchronization mechanism that can be thought of as a replacement for reader-writer locking or reference counting. RCU provides extremely low-overhead access for readers, while writers incur additional overhead maintaining old versions for the benefit of pre-existing readers. Readers neither block nor spin, and thus cannot participate in deadlocks, however, they also can see stale data and can run concurrently with updates. RCU is thus best-suited for read-mostly situations where stale data can either be tolerated (as in routing tables) or avoided (as in the Linux kernel's System V IPC implementation).

**Read-Side Critical Section:** A section of code guarded by read-acquisition of some reader-writer synchronization mechanism. For example, if one set of critical sections are guarded by read-acquisition of a given global reader-writer lock, while a second set of critical sections are guarded by write-acquisition of that same reader-writer lock, then the first set of critical sections will be the read-side critical sections for that lock. Any number of threads may concurrently execute the read-side critical sections, but only if no thread is executing one of the write-side critical sections.

**Reader-Writer Lock:** A reader-writer lock is a mutual-exclusion mechanism that permits any number of reading threads, or but one writing thread, into the set of critical sections guarded by that lock. Threads attempting to write must wait until all pre-existing reading threads release the lock, and, similarly, if there is a pre-existing writer, any threads attempting to write must wait for the writer to release the lock. A key concern for reader-writer locks is “fairness”: can an unending stream of readers starve a writer or vice versa.

**Sequential Consistency:** A memory-consistency model where all memory references appear to occur in an order consistent with a single global order, and where each CPU’s memory references appear to all CPUs to occur in program order.

**Store Buffer:** A small set of internal registers used by a given CPU to record pending stores while the corresponding cache lines are making their way to that CPU. Also called “store queue”.

**Store Forwarding:** An arrangement where a given CPU refers to its store buffer as well as its cache so as to ensure that the software sees the memory operations performed by this CPU as if they were carried out in program order.

**Super-Scalar CPU:** A scalar (non-vector) CPU capable of executing multiple instructions concurrently. This is a step up from a pipelined CPU that executes multiple instructions in an assembly-line fashion — in a super-scalar CPU, each stage of the pipeline would be capable of handling more than one instruction. For example, if the conditions were exactly right, the Intel Pentium Pro CPU from the mid-1990s could execute two (and sometimes three) instructions per clock cycle. Thus, a 200MHz Pentium Pro CPU could “retire”, or complete the execution of, up to 400 million instructions per second.

**Teachable:** A topic, concept, method, or mechanism that the teacher understands completely and is therefore comfortable teaching.

**Transactional Memory (TM):** Shared-memory synchronization scheme featuring “transactions”, each of which is an atomic sequence of operations that offers atomicity, consistency, isolation, but differ from classic transactions in that they do not offer durability. Transactional memory may be implemented either in hardware (hardware transactional memory, or HTM), in software (software transactional memory, or STM), or in a combination of hardware and software (“unbounded” transactional memory, or UTM).

**Unteachable:** A topic, concept, method, or mechanism that the teacher does not understand well is therefore uncomfortable teaching.



**Vector CPU:** A CPU that can apply a single instruction to multiple items of data concurrently. In the 1960s through the 1980s, only supercomputers had vector capabilities, but the advent of MMX in x86 CPUs and VMX in PowerPC CPUs brought vector processing to the masses.

**Write Miss:** A cache miss incurred because the corresponding CPU attempted to write to a cache line that is read-only, most likely due to its being replicated in other CPUs' caches.

**Write-Side Critical Section:** A section of code guarded by write-acquisition of some reader-writer synchronization mechanism. For example, if one set of critical sections are guarded by write-acquisition of a given global reader-writer lock, while a second set of critical section are guarded by read-acquisition of that same reader-writer lock, then the first set of critical sections will be the write-side critical sections for that lock. Only one thread may execute in the write-side critical section at a time, and even then only if there are no threads are executing concurrently in any of the corresponding read-side critical sections.



# Bibliography

- [AAKL06] C. Scott Ananian, Krste Asanovic, Bradley C. Kuszmaul, and Charles E. Leiserson. Unbounded transactional memory. *IEEE Micro*, pages 59–69, January-February 2006. Available: <http://www.cag.csail.mit.edu/scale/papers/utm-ieeeemicro2006.pdf> [Viewed December 21, 2006].
- [AB13] Samy Al Bahra. Nonblocking algorithms and scalable multicore programming. *Commun. ACM*, 56(7):50–61, July 2013.
- [ABD<sup>+</sup>97] Jennifer M. Anderson, Lance M. Berc, Jeffrey Dean, Sanjay Ghemawat, Monika R. Henzinger, Shun-Tak A. Leung, Richard L. Sites, Mark T. Vandevoorde, Carl A. Waldspurger, and William E. Weihl. Continuous profiling: Where have all the cycles gone? In *Proceedings of the 16<sup>th</sup> ACM Symposium on Operating Systems Principles*, pages 1–14, New York, NY, October 1997.
- [aCB08] University at California Berkeley. SETI@HOME. Available: <http://setiathome.berkeley.edu/> [Viewed January 31, 2008], December 2008.
- [ACHS13] Dan Alistarh, Keren Censor-Hillel, and Nir Shavit. Are lock-free concurrent algorithms practically wait-free? ArXiv:1311.3200v2, December 2013.
- [ACMS03] Andrea Arcangeli, Mingming Cao, Paul E. McKenney, and Dipankar Sarma. Using read-copy update techniques for System V IPC in the Linux 2.5 kernel. In *Proceedings of the 2003 USENIX Annual Technical Conference (FREENIX Track)*, pages 297–310. USENIX Association, June 2003.
- [Ada11] Andrew Adamatzky. Slime mould solves maze in one pass . . . assisted by gradient of chemo-attractants. <http://arxiv.org/abs/1108.4956>, August 2011.
- [Adv02] Advanced Micro Devices. *AMD x86-64 Architecture Programmer’s Manual Volumes 1-5*, 2002.
- [Adv07] Advanced Micro Devices. *AMD x86-64 Architecture Programmer’s Manual Volume 2: System Programming*, 2007.

- [AGH<sup>+</sup>11a] Hagit Attiya, Rachid Guerraoui, Danny Hendler, Petr Kuznetsov, Maged M. Michael, and Martin Vechev. Laws of order: Expensive synchronization in concurrent algorithms cannot be eliminated. In *38<sup>th</sup> ACM SIGACT-SIGPLAN Symposium on Principles of Programming Languages*, pages 487–498, New York, NY, USA, 2011. ACM.
- [AGH<sup>+</sup>11b] Hagit Attiya, Rachid Guerraoui, Danny Hendler, Petr Kuznetsov, Maged M. Michael, and Martin Vechev. Laws of order: Expensive synchronization in concurrent algorithms cannot be eliminated. *SIGPLAN Not.*, 46(1):487–498, January 2011.
- [AKT13] Jade Alglave, Daniel Kroening, and Michael Tautschnig. Partial orders for efficient Bounded Model Checking of concurrent software. In *Computer Aided Verification (CAV)*, volume 8044 of *LNCS*, pages 141–157. Springer, 2013.
- [Ale79] Christopher Alexander. *The Timeless Way of Building*. Oxford University Press, New York, 1979.
- [Amd67] Gene Amdahl. Validity of the single processor approach to achieving large-scale computing capabilities. In *AFIPS Conference Proceedings*, pages 483–485, Washington, DC, USA, 1967. IEEE Computer Society.
- [AMP<sup>+</sup>11] Jade Alglave, Luc Maranget, Pankaj Pawan, Susmit Sarkar, Peter Sewell, Derek Williams, and Francesco Zappa Nardelli. PPCMEM/ARMMEM: A tool for exploring the POWER and ARM memory models. <http://www.cl.cam.ac.uk/~pes20/ppc-supplemental/pldi105-sarkar.pdf>, June 2011.
- [And90] T. E. Anderson. The performance of spin lock alternatives for shared-memory multiprocessors. *IEEE Transactions on Parallel and Distributed Systems*, 1(1):6–16, January 1990.
- [And91] Gregory R. Andrews. *Concurrent Programming, Principles, and Practices*. Benjamin Cummins, 1991.
- [ARM10] ARM Limited. *ARM Architecture Reference Manual: ARMv7-A and ARMv7-R Edition*, 2010.
- [ATC<sup>+</sup>11] Ege Akpınar, Sasa Tomic, Adrian Cristal, Osman Unsal, and Mateo Valero. A comprehensive study of conflict resolution policies in hardware transactional memory. In *TRANSACT 2011*. ACM SIGPLAN, June 2011.
- [ATS09] Ali-Reza Adl-Tabatabai and Tatiana Shpeisman. Draft specification of transactional language constructs for c++. <http://research.sun.com/scalable/pubs/C++-transactional-constructs-1.0.pdf>, August 2009.
- [BA01] Jeff Bonwick and Jonathan Adams. Magazines and vmem: Extending the slab allocator to many CPUs and arbitrary resources. In *USENIX Annual Technical Conference, General Track 2001*, pages 15–33, 2001.
- [BC05] Daniel Bovet and Marco Cesati. *Understanding the Linux Kernel*. O’Reilly Media, Inc., third edition, 2005.

- [Bec11] Pete Becker. Working draft, standard for programming language C++. <http://www.open-std.org/jtc1/sc22/wg21/docs/papers/2011/n3242.pdf>, February 2011.
- [BG87] D. Bertsekas and R. Gallager. *Data Networks*. Prentice-Hall, Inc., 1987.
- [BHG87] Philip A. Bernstein, Vassos Hadzilacos, and Nathan Goodman. *Concurrency Control and Recovery in Database Systems*. Addison Wesley Publishing Company, 1987.
- [BHS07] Frank Buschmann, Kevlin Henney, and Douglas C. Schmidt. *Pattern-Oriented Software Architecture Volume 4: A Pattern Language for Distributed Computing*. Wiley, Chichester, West Sussex, England, 2007.
- [BK85] Bob Beck and Bob Kasten. VLSI assist in building a multiprocessor UNIX system. In *USENIX Conference Proceedings*, pages 255–275, Portland, OR, June 1985. USENIX Association.
- [BLM05] C. Blundell, E. C. Lewis, and M. Martin. Deconstructing transactional semantics: The subtleties of atomicity. In *Annual Workshop on Duplicating, Deconstructing, and Debunking (WDDD)*, June 2005. Available: [http://www.cis.upenn.edu/acg/papers/wddd05\\_atomic\\_semantics.pdf](http://www.cis.upenn.edu/acg/papers/wddd05_atomic_semantics.pdf) [Viewed June 4, 2009].
- [BLM06] C. Blundell, E. C. Lewis, and M. Martin. Subtleties of transactional memory and atomicity semantics. *Computer Architecture Letters*, 5(2), 2006. Available: [http://www.cis.upenn.edu/acg/papers/cal06\\_atomic\\_semantics.pdf](http://www.cis.upenn.edu/acg/papers/cal06_atomic_semantics.pdf) [Viewed June 4, 2009].
- [BMMM05] Luke Browning, Thomas Mathews, Paul E. McKenney, and James Moody. Apparatus, method, and computer program product for converting simple locks in a multiprocessor system. Technical Report US Patent 6,842,809, US Patent and Trademark Office, Washington, DC, January 2005.
- [Boe09] Hans-J. Boehm. Transactional memory should be an implementation technique, not a programming interface. In *HOTPAR 2009*, page 6, Berkeley, CA, USA, March 2009. Available: [http://www.usenix.org/event/hotpar09/tech/full\\_papers/boehm/boehm.pdf](http://www.usenix.org/event/hotpar09/tech/full_papers/boehm/boehm.pdf) [Viewed May 24, 2009].
- [Bow06] Maggie Bowman. Dividing the sheep from the goats. [url=http://www.cs.kent.ac.uk/news/2006/RBornat/](http://www.cs.kent.ac.uk/news/2006/RBornat/), February 2006.
- [Bra07] Reg Braithwaite. Don't overthink fizzbuzz. [url=http://weblog.raganwald.com/2007/01/dont-overthink-fizzbuzz.html](http://weblog.raganwald.com/2007/01/dont-overthink-fizzbuzz.html), January 2007.
- [Bra11] Björn Brandenburg. *Scheduling and Locking in Multiprocessor Real-Time Operating Systems*. PhD thesis, The University of North Carolina at Chapel Hill, 2011.
- [But97] David Butenhof. *Programming with POSIX Threads*. Addison-Wesley, Boston, MA, USA, 1997.

- [BW14] Silas Boyd-Wickizer. *Optimizing Communications Bottlenecks in Multi-processor Operating Systems Kernels*. PhD thesis, Massachusetts Institute of Technology, 2014.
- [CBM<sup>+</sup>08] Calin Cascaval, Colin Blundell, Maged Michael, Harold W. Cain, Peng Wu, Stefanie Chiras, and Siddhartha Chatterjee. Software transactional memory: Why is it only a research toy? *ACM Queue*, September 2008.
- [CHP71] P. J. Courtois, F. Heymans, and D. L. Parnas. Concurrent control with “readers” and “writers”. *Communications of the ACM*, 14(10):667–668, October 1971.
- [CKZ12] Austin Clements, Frans Kaashoek, and Nickolai Zeldovich. Scalable address spaces using RCU balanced trees. In *Architectural Support for Programming Languages and Operating Systems (ASPLOS 2012)*, pages 199–210, London, UK, March 2012. ACM.
- [CKZ<sup>+</sup>13] Austin T. Clements, M. Frans Kaashoek, Nickolai Zeldovich, Robert T. Morris, and Eddie Kohler. The scalable commutativity rule: Designing scalable software for multicore processors. In *Proceedings of the Twenty-Fourth ACM Symposium on Operating Systems Principles, SOSP ’13*, pages 1–17, New York, NY, USA, 2013. ACM.
- [Cli09] Cliff Click. And now some hardware transactional memory comments... <http://www.azulsystems.com/blog/cliff-click/2009-02-25-and-now-some-hardware-transactional-memory-comments>, February 2009.
- [CLRS01] T.H. Cormen, C.E. Leiserson, R.L. Rivest, and C. Stein. *Introduction to Algorithms, Second Edition*. MIT electrical engineering and computer science series. MIT Press, 2001.
- [Com01] Compaq Computer Corporation. Shared memory, threads, interprocess communication. Available: [http://www.openvms.compaq.com/wizard/wiz\\_2637.html](http://www.openvms.compaq.com/wizard/wiz_2637.html), August 2001.
- [Cor04] Jonathan Corbet. Finding kernel problems automatically. <http://lwn.net/Articles/87538/>, June 2004.
- [Cor06a] Jonathan Corbet. The kernel lock validator. Available: <http://lwn.net/Articles/185666/> [Viewed: March 26, 2010], May 2006.
- [Cor06b] Jonathan Corbet. Priority inheritance in the kernel. Available: <http://lwn.net/Articles/178253/> [Viewed June 29, 2009], April 2006.
- [Cor08] Jonathan Corbet. Linux weekly news. Available: <http://lwn.net/> [Viewed November 26, 2008], November 2008.
- [Cor12a] Jon Corbet. ACCESS\_ONCE(). <http://lwn.net/Articles/508991/>, August 2012.
- [Cor12b] Jon Corbet. Relocating rcu callbacks. <http://lwn.net/Articles/522262/>, October 2012.

- [Cor13a] Jonathan Corbet. Is the whole system idle? <http://lwn.net/Articles/558284/>, July 2013.
- [Cor13b] Jonathan Corbet. (nearly) full tickless operation in 3.10. <http://lwn.net/Articles/549580/>, May 2013.
- [Cra93] Travis Craig. Building FIFO and priority-queuing spin locks from atomic swap. Technical Report 93-02-02, University of Washington, Seattle, Washington, February 1993.
- [CRKH05] Jonathan Corbet, Alessandro Rubini, and Greg Kroah-Hartman. *Linux Device Drivers*. O’Reilly Media, Inc., third edition, 2005.
- [CSG99] David E. Culler, Jaswinder Pal Singh, and Anoop Gupta. *Parallel Computer Architecture: a Hardware/Software Approach*. Morgan Kaufman, 1999.
- [Dat82] C. J. Date. *An Introduction to Database Systems*, volume 1. Addison-Wesley Publishing Company, 1982.
- [DBA09] Saeed Dehnadi, Richard Bornat, and Ray Adams. Meta-analysis of the effect of consistency on success in early learning of programming. In *PPIG 2009*, pages 1–13, University of Limerick, Ireland, June 2009. Psychology of Programming Interest Group.
- [DCW<sup>+</sup>11] Luke Dalessandro, Francois Carouge, Sean White, Yossi Lev, Mark Moir, Michael L. Scott, and Michael F. Spear. Hybrid NOrec: A case study in the effectiveness of best effort hardware transactional memory. In *Proceedings of the 16th International Conference on Architectural Support for Programming Languages and Operating Systems (ASPLOS)*, ASPLOS ’11, pages ???–???, New York, NY, USA, 2011. ACM.
- [DD09] Mathieu Desnoyers and Michel R. Dagenais. Ltng, filling the gap between kernel instrumentation and a widely usable kernel tracer. Available: [http://events.linuxfoundation.org/slides/lfcs09\\_desnoyers\\_paper.pdf](http://events.linuxfoundation.org/slides/lfcs09_desnoyers_paper.pdf) Similar [Viewed: August 28, 2011], April 2009.
- [Des09] Mathieu Desnoyers. [RFC git tree] userspace RCU (urcu) for Linux. <http://urcu.so>, February 2009.
- [DFGG11] Aleksandar Dragovejic, Pascal Felber, Vincent Gramoli, and Rachid Guerraoui. Why STM can be more than a research toy. *Communications of the ACM*, pages 70–77, April 2011.
- [DHJ<sup>+</sup>07] Giuseppe DeCandia, Deniz Hastorun, Madan Jampani, Gunavardhan Kakulapati, Avinash Lakshman, Alex Pilchin, Swaminathan Sivasubramanian, Peter Voshall, and Werner Vogels. Dynamo: Amazon’s highly available key-value store. *SIGOPS Oper. Syst. Rev.*, 41(6):205–220, October 2007.
- [DHK12] Vijay D’Silva, Leopold Haller, and Daniel Kroening. Satisfiability solvers are static analyzers. In *Static Analysis Symposium (SAS)*, volume 7460 of *LNCS*, pages 317–333. Springer, 2012.

- [DHL<sup>+</sup>08] Dave Dice, Maurice Herlihy, Doug Lea, Yossi Lev, Victor Luchangco, Wayne Mesard, Mark Moir, Kevin Moore, and Dan Nussbaum. Applications of the adaptive transactional memory test platform. In *3<sup>rd</sup> ACM SIGPLAN Workshop on Transactional Computing*, pages 1–10, Salt Lake City, UT, USA, February 2008.
- [Dij65] E. W. Dijkstra. Solution of a problem in concurrent programming control. *Communications of the ACM*, 8(9):569, Sept 1965.
- [Dij68] Edsger W. Dijkstra. Letters to the editor: Go to statement considered harmful. *Commun. ACM*, 11(3):147–148, March 1968.
- [Dij71] Edsger W. Dijkstra. Hierarchical ordering of sequential processes. *Acta Informatica*, 1(2):115–138, 1971. Available: <http://www.cs.utexas.edu/users/EWD/ewd03xx/EWD310.PDF> [Viewed January 13, 2008].
- [DLM<sup>+</sup>10] Dave Dice, Yossi Lev, Virendra J. Marathe, Mark Moir, Dan Nussbaum, and Marek Oleszewski. Simplifying concurrent algorithms by exploiting hardware transactional memory. In *Proceedings of the 22nd ACM symposium on Parallelism in algorithms and architectures, SPAA '10*, pages 325–334, New York, NY, USA, 2010. ACM.
- [DLMN09] Dave Dice, Yossi Lev, Mark Moir, and Dan Nussbaum. Early experience with a commercial hardware transactional memory implementation. In *Fourteenth International Conference on Architectural Support for Programming Languages and Operating Systems (ASPLOS '09)*, pages 157–168, Washington, DC, USA, March 2009. Available: <http://research.sun.com/scalable/pubs/ASPLOS2009-RockHTML.pdf> [Viewed February 4, 2009].
- [DMS<sup>+</sup>12] Mathieu Desnoyers, Paul E. McKenney, Alan Stern, Michel R. Dagenais, and Jonathan Walpole. User-level implementations of read-copy update. *IEEE Transactions on Parallel and Distributed Systems*, 23:375–382, 2012.
- [Dov90] Ken F. Dove. A high capacity TCP/IP in parallel STREAMS. In *UKUUG Conference Proceedings*, London, June 1990.
- [Dre11] Ulrich Drepper. Futexes are tricky. Technical Report FAT2011, Red Hat, Inc., Raleigh, NC, USA, November 2011.
- [DSS06] Dave Dice, Ori Shalev, and Nir Shavit. Transactional locking II. In *Proc. International Symposium on Distributed Computing*. Springer Verlag, 2006. Available: <http://www.springerlink.com/content/5688h5q0w72r54x0/> [Viewed March 10, 2008].
- [EGCD03] T. A. El-Ghazawi, W. W. Carlson, and J. M. Draper. UPC language specifications v1.1. Available: <http://upc.gwu.edu> [Viewed September 19, 2008], May 2003.
- [EGMdB11] Stephane Eranian, Eric Gouriou, Tipp Moseley, and Willem de Bruijn. Linux kernel profiling with perf. <https://perf.wiki.kernel.org/index.php/Tutorial>, June 2011.



- [Ell80] Carla Schlatter Ellis. Concurrent search and insertion in avl trees. *IEEE Transactions on Computers*, C-29(9):811–817, September 1980.
- [ELLM07] Faith Ellen, Yossi Lev, Victor Luchangco, and Mark Moir. Snzi: scalable nonzero indicators. In *Proceedings of the twenty-sixth annual ACM symposium on Principles of distributed computing*, PODC '07, pages 13–22, New York, NY, USA, 2007. ACM.
- [Eng68] Douglas Engelbart. The demo. Available: <http://video.google.com/videoplay?docid=-8734787622017763097> [Viewed November 28, 2008], December 1968.
- [ENS05] Ryan Eccles, Blair Nonneck, and Deborah A. Stacey. Exploring parallel programming knowledge in the novice. In *HPCS '05: Proceedings of the 19th International Symposium on High Performance Computing Systems and Applications*, pages 97–102, Washington, DC, USA, 2005. IEEE Computer Society.
- [Eri08] Christer Ericson. Aiding pathfinding with cellular automata. <http://realtimecollisiondetection.net/blog/?p=57>, June 2008.
- [ES90] Margaret A. Ellis and Bjarne Stroustrup. *The Annotated C++ Reference Manual*. Addison Wesley, 1990.
- [ES05] Ryan Eccles and Deborah A. Stacey. Understanding the parallel programmer. In *HPCS '05: Proceedings of the 19th International Symposium on High Performance Computing Systems and Applications*, pages 156–160, Washington, DC, USA, 2005. IEEE Computer Society.
- [ETH11] ETH Zurich. Parallel solver for a perfect maze. <http://nativesystems.inf.ethz.ch/pub/Main/WebHomeLecturesParallelProgrammingExercises/pp2011hw04.pdf>, March 2011.
- [Fel50] W. Feller. *An Introduction to Probability Theory and its Applications*. John Wiley, 1950.
- [Fos10] Ron Fosner. Scalable multithreaded programming with tasks. *MSDN Magazine*, 2010(11):60–69, November 2010. <http://msdn.microsoft.com/en-us/magazine/gg309176.aspx>.
- [FPB79] Jr. Frederick P. Brooks. *The Mythical Man-Month*. Addison-Wesley, 1979.
- [FRK02] Hubertus Francke, Rusty Russell, and Matthew Kirkwood. Fuss, futexes and furwocks: Fast userlevel locking in linux. In *Ottawa Linux Symposium*, pages 479–495, June 2002. Available: <http://www.kernel.org/doc/ols/2002/ols2002-pages-479-495.pdf> [Viewed May 22, 2011].
- [Gar90] Arun Garg. Parallel STREAMS: a multi-processor implementation. In *USENIX Conference Proceedings*, pages 163–176, Berkeley CA, February 1990. USENIX Association.

- [Gar07] Bryan Gardiner. Idf: Gordon moore predicts end of moore's law (again). Available: <http://blog.wired.com/business/2007/09/idf-gordon-mo-1.html> [Viewed: November 28, 2008], September 2007.
- [GC96] Michael Greenwald and David R. Cheriton. The synergy between non-blocking synchronization and operating system structure. In *Proceedings of the Second Symposium on Operating Systems Design and Implementation*, pages 123–136, Seattle, WA, October 1996. USENIX Association.
- [GDZE10] Olga Golovanevsky, Alon Dayan, Ayal Zaks, and David Edelsohn. Trace-based data layout optimizations for multi-core processors. In *Proceedings of the 5th International Conference on High Performance Embedded Architectures and Compilers, HiPEAC'10*, pages 81–95, Berlin, Heidelberg, 2010. Springer-Verlag.
- [GG14] Vincent Gramoli and Rachid Guerraoui. Democratizing transactional programming. *Commun. ACM*, 57(1):86–93, January 2014.
- [Gha95] Kourosh Gharachorloo. Memory consistency models for shared-memory multiprocessors. Technical Report CSL-TR-95-685, Computer Systems Laboratory, Departments of Electrical Engineering and Computer Science, Stanford University, Stanford, CA, December 1995. Available: <http://www.hpl.hp.com/techreports/Compaq-DEC/WRL-95-9.pdf> [Viewed: October 11, 2004].
- [GHJV95] Erich Gamma, Richard Helm, Ralph Johnson, and John Vlissides. *Design Patterns: Elements of Reusable Object-Oriented Software*. Addison-Wesley, 1995.
- [GKAS99] Ben Gamsa, Orran Krieger, Jonathan Appavoo, and Michael Stumm. Tornado: Maximizing locality and concurrency in a shared memory multiprocessor operating system. In *Proceedings of the 3<sup>rd</sup> Symposium on Operating System Design and Implementation*, pages 87–100, New Orleans, LA, February 1999.
- [GKP13] Justin Gottschlich, Rob Knauerhase, and Gilles Pokam. But how do we really debug transactional memory? In *5<sup>th</sup> USENIX Workshop on Hot Topics in Parallelism (HotPar 2013)*, San Jose, CA, USA, June 2013.
- [GKPS95] Ben Gamsa, Orran Krieger, E. Parsons, and Michael Stumm. Performance issues for multiprocessor operating systems. Technical Report CSRI-339, Available: <ftp://ftp.cs.toronto.edu/pub/reports/csri/339/339.ps>, November 1995.
- [GMTW08] D. Guniguntala, P. E. McKenney, J. Triplett, and J. Walpole. The read-copy-update mechanism for supporting real-time applications on shared-memory multiprocessor systems with Linux. *IBM Systems Journal*, 47(2):221–236, May 2008.
- [GPB<sup>+</sup>07] Brian Goetz, Tim Peierls, Joshua Bloch, Joseph Bowbeer, David Holmes, and Doug Lea. *Java: Concurrency in Practice*. Addison Wesley, Upper Saddle River, NJ, USA, 2007.

- [Gra02] Jim Gray. Super-servers: Commodity computer clusters pose a software challenge. Available: [http://research.microsoft.com/en-us/um/people/gray/papers/superservers\(4t\\_computers\).doc](http://research.microsoft.com/en-us/um/people/gray/papers/superservers(4t_computers).doc) [Viewed: June 23, 2004], April 2002.
- [Gri00] Scott Griffen. Internet pioneers: Doug englebart. Available: <http://www.ibiblio.org/pioneers/englebart.html> [Viewed November 28, 2008], May 2000.
- [Gro01] The Open Group. Single UNIX specification. <http://www.opengroup.org/onlinepubs/007908799/index.html>, July 2001.
- [Gro07] Dan Grossman. The transactional memory / garbage collection analogy. In *OOPSLA '07: Proceedings of the 22nd annual ACM SIGPLAN conference on Object oriented programming systems and applications*, pages 695–706, New York, NY, USA, October 2007. ACM. Available: [http://www.cs.washington.edu/homes/djg/papers/analogy\\_oopsla07.pdf](http://www.cs.washington.edu/homes/djg/papers/analogy_oopsla07.pdf) [Viewed December 19, 2008].
- [GT90] Gary Graunke and Shreekanth Thakkar. Synchronization algorithms for shared-memory multiprocessors. *IEEE Computer*, 23(6):60–69, June 1990.
- [HCS<sup>+</sup>05] Lorin Hochstein, Jeff Carver, Forrest Shull, Sima Asgari, and Victor Basili. Parallel programmer productivity: A case study of novice parallel programmers. In *SC '05: Proceedings of the 2005 ACM/IEEE conference on Supercomputing*, page 35, Washington, DC, USA, 2005. IEEE Computer Society.
- [Hei27] W. Heisenberg. Über den anschaulichen Inhalt der quantentheoretischen Kinematik und Mechanik. *Zeitschrift für Physik*, 43(3-4):172–198, 1927. English translation in “Quantum theory and measurement” by Wheeler and Zurek.
- [Her90] Maurice P. Herlihy. A methodology for implementing highly concurrent data structures. In *Proceedings of the 2nd ACM SIGPLAN Symposium on Principles and Practice of Parallel Programming*, pages 197–206, March 1990.
- [Her93] Maurice Herlihy. Implementing highly concurrent data objects. *ACM Transactions on Programming Languages and Systems*, 15(5):745–770, November 1993.
- [Her05] Maurice Herlihy. The transactional manifesto: software engineering and non-blocking synchronization. In *PLDI '05: Proceedings of the 2005 ACM SIGPLAN conference on Programming language design and implementation*, pages 280–280, New York, NY, USA, 2005. ACM Press.
- [HHK<sup>+</sup>13] A. Haas, T.A. Henzinger, C.M. Kirsch, M. Lippautz, H. Payer, A. Sezgin, and A. Sokolova. Distributed queues in shared memory—multicore performance and scalability through quantitative relaxation. In *Proc. International Conference on Computing Frontiers*. ACM, 2013.

- [HKLP12] Andreas Haas, Christoph M. Kirsch, Michael Lippautz, and Hannes Payer. How FIFO is your concurrent FIFO queue? In *Proceedings of the Workshop on Relaxing Synchronization for Multicore and Manycore Scalability*, Tucson, AZ USA, October 2012.
- [HLM02] Maurice Herlihy, Victor Luchangco, and Mark Moir. The repeat offender problem: A mechanism for supporting dynamic-sized, lock-free data structures. In *Proceedings of 16<sup>th</sup> International Symposium on Distributed Computing*, pages 339–353, October 2002.
- [HLM03] Maurice Herlihy, Victor Luchangco, and Mark Moir. Obstruction-free synchronization: Double-ended queues as an example. In *Proceedings of the 23<sup>rd</sup> IEEE International Conference on Distributed Computing Systems (ICDCS)*, pages 73–82, Providence, RI, May 2003. The Institute of Electrical and Electronics Engineers, Inc.
- [HM93] Maurice Herlihy and J. Eliot B. Moss. Transactional memory: Architectural support for lock-free data structures. *The 20<sup>th</sup> Annual International Symposium on Computer Architecture*, pages 289–300, May 1993.
- [HMB06] Thomas E. Hart, Paul E. McKenney, and Angela Demke Brown. Making lockless synchronization fast: Performance implications of memory reclamation. In *20<sup>th</sup> IEEE International Parallel and Distributed Processing Symposium*, Rhodes, Greece, April 2006. Available: [http://www.rdrop.com/users/paulmck/RCU/hart\\_ipdps06.pdf](http://www.rdrop.com/users/paulmck/RCU/hart_ipdps06.pdf) [Viewed April 28, 2008].
- [HMBW07] Thomas E. Hart, Paul E. McKenney, Angela Demke Brown, and Jonathan Walpole. Performance of memory reclamation for lockless synchronization. *J. Parallel Distrib. Comput.*, 67(12):1270–1285, 2007.
- [Hol03] Gerard J. Holzmann. *The Spin Model Checker: Primer and Reference Manual*. Addison-Wesley, Boston, MA, USA, 2003.
- [HP95] John L. Hennessy and David A. Patterson. *Computer Architecture: A Quantitative Approach*. Morgan Kaufman, 1995.
- [HS08] Maurice Herlihy and Nir Shavit. *The Art of Multiprocessor Programming*. Morgan Kaufmann, Burlington, MA, USA, 2008.
- [HW90] Maurice P. Herlihy and Jeannette M. Wing. Linearizability: a correctness condition for concurrent objects. *ACM Trans. Program. Lang. Syst.*, 12(3):463–492, July 1990.
- [HW92] Wilson C. Hsieh and William E. Weihl. Scalable reader-writer locks for parallel systems. In *Proceedings of the 6<sup>th</sup> International Parallel Processing Symposium*, pages 216–230, Beverly Hills, CA, USA, March 1992.
- [HW11] Philip W. Howard and Jonathan Walpole. A relativistic enhancement to software transactional memory. In *Proceedings of the 3<sup>rd</sup> USENIX conference on Hot topics in parallelism, HotPar’11*, pages 1–6, Berkeley, CA, USA, 2011. USENIX Association.

- [HW13] Philip W. Howard and Jonathan Walpole. Relativistic red-black trees. *Concurrency and Computation: Practice and Experience*, pages n/a–n/a, 2013.
- [IBM94] IBM Microelectronics and Motorola. *PowerPC Microprocessor Family: The Programming Environments*, 1994.
- [Inm85] Jack Inman. Implementing loosely coupled functions on tightly coupled engines. In *USENIX Conference Proceedings*, pages 277–298, Portland, OR, June 1985. USENIX Association.
- [Int92] International Standards Organization. *Information Technology - Database Language SQL*. ISO, 1992. Available: <http://www.contrib.andrew.cmu.edu/~shadow/sql/sql1992.txt> [Viewed September 19, 2008].
- [Int02a] Intel Corporation. *Intel Itanium Architecture Software Developer's Manual Volume 3: Instruction Set Reference*, 2002.
- [Int02b] Intel Corporation. *Intel Itanium Architecture Software Developer's Manual Volume 3: System Architecture*, 2002.
- [Int04a] Intel Corporation. *IA-32 Intel Architecture Software Developer's Manual Volume 2B: Instruction Set Reference, N-Z*, 2004. Available: <ftp://download.intel.com/design/Pentium4/manuals/25366714.pdf> [Viewed: February 16, 2005].
- [Int04b] Intel Corporation. *IA-32 Intel Architecture Software Developer's Manual Volume 3: System Programming Guide*, 2004. Available: <ftp://download.intel.com/design/Pentium4/manuals/25366814.pdf> [Viewed: February 16, 2005].
- [Int04c] International Business Machines Corporation. z/Architecture principles of operation. Available: <http://publibz.boulder.ibm.com/epubs/pdf/dz9zr003.pdf> [Viewed: February 16, 2005], May 2004.
- [Int07] Intel Corporation. *Intel 64 Architecture Memory Ordering White Paper*, 2007. Available: <http://developer.intel.com/products/processor/manuals/318147.pdf> [Viewed: September 7, 2007].
- [Int11] Intel Corporation. *Intel 64 and IA-32 Architectures Software Developer's Manual, Volume 3A: System Programming Guide, Part I*, 2011. Available: <http://www.intel.com/Assets/PDF/manual/253668.pdf> [Viewed: February 12, 2011].
- [Jac08] Daniel Jackson. MapReduce course. Available: <https://sites.google.com/site/mriap2008/> [Viewed January 3, 2013], January 2008.
- [Jia08] Lai Jiangshan. [RFC][PATCH] rcu classic: new algorithm for callbacks-processing. Available: <http://lkml.org/lkml/2008/6/2/539> [Viewed December 10, 2008], June 2008.

- [JMRR02] Benedict Joseph Jackson, Paul E. McKenney, Ramakrishnan Rajamony, and Ronald Lynn Rockhold. Scalable interruptible queue locks for shared-memory multiprocessor. Technical Report US Patent 6,473,819, US Patent and Trademark Office, Washington, DC, October 2002.
- [Joh77] Stephen Johnson. Lint, a C program checker. Computer Science Technical Report 65, Bell Laboratories, December 1977.
- [JSG12] Christian Jacobi, Timothy Slegel, and Dan Greiner. Transactional memory architecture and implementation for IBM System z. The 45<sup>th</sup> Annual IEEE/ACM International Symposium on MicroArchitecture <http://www.microsymposia.org/micro45/talks-posters/3-jacobi-presentation.pdf>, December 2012.
- [Kan96] Gerry Kane. *PA-RISC 2.0 Architecture*. Hewlett-Packard Professional Books, 1996.
- [KCH<sup>+</sup>06] Sanjeev Kumar, Michael Chu, Christopher J. Hughes, Partha Kumar, and Anthony Nguyen. Hybrid transactional memory. In *Proceedings of the ACM SIGPLAN 2006 Symposium on Principles and Practice of Parallel Programming*. ACM SIGPLAN, 2006. Available: <http://www.cs.princeton.edu/~skumar/papers/ppopp06/ppopp06.pdf> [Viewed December 21, 2006].
- [KFC11] KFC. Memristor processor solves mazes. <http://www.technologyreview.com/blog/arxiv/26467/>, March 2011.
- [KL80] H. T. Kung and Q. Lehman. Concurrent manipulation of binary search trees. *ACM Transactions on Database Systems*, 5(3):354–382, September 1980.
- [KLP12] Christoph M. Kirsch, Michael Lippautz, and Hannes Payer. Fast and scalable k-fifo queues. Technical Report 2012-04, University of Salzburg, Salzburg, Austria, June 2012.
- [Kni08] John U. Knickerbocker. 3D chip technology. *IBM Journal of Research and Development*, 52(6), November 2008. Available: <http://www.research.ibm.com/journal/rd52-6.html> [Viewed: January 1, 2009].
- [Knu73] Donald Knuth. *The Art of Computer Programming*. Addison-Wesley, 1973.
- [KWS97] Leonidas Kontothanassis, Robert W. Wisniewski, and Michael L. Scott. Scheduler-conscious synchronization. *Communications of the ACM*, 15(1):3–40, January 1997.
- [LA94] Beng-Hong Lim and Anant Agarwal. Reactive synchronization algorithms for multiprocessors. 03/28/94 FTP [hng.lcs.mit.edu/pub/papers/reactive.ps.Z](http://hng.lcs.mit.edu/pub/papers/reactive.ps.Z), March 1994.
- [Lam74] Leslie Lamport. A new solution of Dijkstra’s concurrent programming problem. *Communications of the ACM*, 17(8):453–455, August 1974.

- [Lea97] Doug Lea. *Concurrent Programming in Java: Design Principles and Patterns*. Addison Wesley Longman, Reading, MA, USA, 1997.
- [LLO09] Yossi Lev, Victor Luchangco, and Marek Olszewski. Scalable reader-writer locks. In *SPAA '09: Proceedings of the twenty-first annual symposium on Parallelism in algorithms and architectures*, pages 101–110, New York, NY, USA, 2009. ACM.
- [Loc02] Doug Locke. Priority inheritance: The real story. Available: <http://www.linuxdevices.com/articles/AT5698775833.html> [Viewed June 29, 2005], July 2002.
- [Lom77] D. B. Lomet. Process structuring, synchronization, and recovery using atomic actions. *SIGSOFT Softw. Eng. Notes*, 2(2):128–137, 1977. Available: <http://portal.acm.org/citation.cfm?id=808319#> [Viewed June 27, 2008].
- [Lov05] Robert Love. *Linux Kernel Development*. Novell Press, second edition, 2005.
- [LR80] Butler W. Lampson and David D. Redell. Experience with processes and monitors in Mesa. *Communications of the ACM*, 23(2):105–117, 1980.
- [LS86] Vladimir Lanin and Dennis Shasha. A symmetric concurrent b-tree algorithm. In *ACM '86: Proceedings of 1986 ACM Fall joint computer conference*, pages 380–389, Los Alamitos, CA, USA, 1986. IEEE Computer Society Press.
- [LS11] Yujie Liu and Michael Spear. Toxic transactions. In *TRANSACT 2011*. ACM SIGPLAN, June 2011.
- [LSH02] Michael Lyons, Ed Silha, and Bill Hay. PowerPC storage model and AIX programming. Available: <http://www-106.ibm.com/developerworks/eserver/articles/powerpc.html> [Viewed: January 31, 2005], August 2002.
- [MAK<sup>+</sup>01] Paul E. McKenney, Jonathan Appavoo, Andi Kleen, Orran Krieger, Rusty Russell, Dipankar Sarma, and Maneesh Soni. Read-copy update. In *Ottawa Linux Symposium*, July 2001. Available: <http://www.linuxsymposium.org/2001/abstracts/readcopy.php> [http://www.rdrop.com/users/paulmck/RCU/rclock\\_OLS.2001.05.01c.pdf](http://www.rdrop.com/users/paulmck/RCU/rclock_OLS.2001.05.01c.pdf) [Viewed June 23, 2004].
- [Mas92] H. Massalin. *Synthesis: An Efficient Implementation of Fundamental Operating System Services*. PhD thesis, Columbia University, New York, NY, 1992.
- [Mat13] Norm Matloff. *Programming on Parallel Machines*. University of California, Davis, Davis, CA, USA, 2013.
- [MBM<sup>+</sup>06] Kevin E. Moore, Jayaram Bobba, Michelle J. Moravan, Mark D. Hill, and David A. Wood. LogTM: Log-based transactional memory. In *Proceedings of the 12<sup>th</sup> Annual International Symposium on High Performance Computer Architecture (HPCA-12)*, Washington, DC, USA, 2006. IEEE.

Available: [http://www.cs.wisc.edu/multifacet/papers/hpca06\\_logtm.pdf](http://www.cs.wisc.edu/multifacet/papers/hpca06_logtm.pdf) [Viewed December 21, 2006].

- [McK90a] Paul E. McKenney. Stochastic fairness queuing. Technical Report ITSTD-7186-PA-89-11, SRI International, Menlo Park, CA, March 1990. To appear in INFOCOM'90.
- [McK90b] Paul E. McKenney. Stochastic fairness queuing. In *IEEE INFOCOM'90 Proceedings*, pages 733–740, San Francisco, June 1990. The Institute of Electrical and Electronics Engineers, Inc. Revision available: <http://www.rdrop.com/users/paulmck/scalability/paper/sfq.2002.06.04.pdf> [Viewed May 26, 2008].
- [McK91] Paul E. McKenney. Stochastic fairness queuing. *Internetworking: Theory and Experience*, 2:113–131, 1991.
- [McK96a] Paul E. McKenney. *Pattern Languages of Program Design*, volume 2, chapter 31: Selecting Locking Designs for Parallel Programs, pages 501–531. Addison-Wesley, June 1996. Available: <http://www.rdrop.com/users/paulmck/scalability/paper/mutexdesignpat.pdf> [Viewed February 17, 2005].
- [McK96b] Paul E. McKenney. Selecting locking primitives for parallel programs. *Communications of the ACM*, 39(10):75–82, October 1996.
- [McK03] Paul E. McKenney. Using RCU in the Linux 2.5 kernel. *Linux Journal*, 1(114):18–26, October 2003. Available: <http://www.linuxjournal.com/article/6993> [Viewed November 14, 2007].
- [McK04] Paul E. McKenney. *Exploiting Deferred Destruction: An Analysis of Read-Copy-Update Techniques in Operating System Kernels*. PhD thesis, OGI School of Science and Engineering at Oregon Health and Sciences University, 2004.
- [McK05a] Paul E. McKenney. Memory ordering in modern microprocessors, part I. *Linux Journal*, 1(136):52–57, August 2005. Available: <http://www.linuxjournal.com/article/8211> <http://www.rdrop.com/users/paulmck/scalability/paper/ordering.2007.09.19a.pdf> [Viewed November 30, 2007].
- [McK05b] Paul E. McKenney. Memory ordering in modern microprocessors, part II. *Linux Journal*, 1(137):78–82, September 2005. Available: <http://www.linuxjournal.com/article/8212> <http://www.rdrop.com/users/paulmck/scalability/paper/ordering.2007.09.19a.pdf> [Viewed November 30, 2007].
- [McK05c] Paul E. McKenney. Re: [fwd: Re: [patch] real-time preemption, -rt-2.6.13-rc4-v0.7.52-01]. Available: <http://lkml.org/lkml/2005/8/8/108> [Viewed March 14, 2006], August 2005.



- [McK05d] Paul E. McKenney. A realtime preemption overview. Available: <http://lwn.net/Articles/146861/> [Viewed August 22, 2005], August 2005.
- [McK06a] Paul E. McKenney. RCU Linux usage. Available: <http://www.rdrop.com/users/paulmck/RCU/linuxusage.html> [Viewed January 14, 2007], October 2006.
- [McK06b] Paul E. McKenney. Sleepable RCU. Available: <http://lwn.net/Articles/202847/> Revised: <http://www.rdrop.com/users/paulmck/RCU/srcu.2007.01.14a.pdf> [Viewed August 21, 2006], October 2006.
- [McK07a] Paul E. McKenney. The design of preemptible read-copy-update. Available: <http://lwn.net/Articles/253651/> [Viewed October 25, 2007], October 2007.
- [McK07b] Paul E. McKenney. [PATCH] QRCU with lockless fastpath. Available: <http://lkml.org/lkml/2007/2/25/18> [Viewed March 27, 2008], February 2007.
- [McK07c] Paul E. McKenney. [patch rfc 0/9] RCU: Preemptible RCU. Available: <http://lkml.org/lkml/2007/9/10/213> [Viewed October 25, 2007], September 2007.
- [McK07d] Paul E. McKenney. Priority-boosting RCU read-side critical sections. <http://lwn.net/Articles/220677/>, February 2007.
- [McK07e] Paul E. McKenney. RCU and unloadable modules. Available: <http://lwn.net/Articles/217484/> [Viewed November 22, 2007], January 2007.
- [McK07f] Paul E. McKenney. Using Promela and Spin to verify parallel algorithms. Available: <http://lwn.net/Articles/243851/> [Viewed September 8, 2007], August 2007.
- [McK07g] Paul E. McKenney. What is RCU? Available: <http://www.rdrop.com/users/paulmck/RCU/whatisRCU.html> [Viewed July 6, 2007], 07 2007.
- [McK08a] Paul E. McKenney. Hierarchical RCU. <http://lwn.net/Articles/305782/>, November 2008.
- [McK08b] Paul E. McKenney. RCU part 3: the RCU API. Available: <http://lwn.net/Articles/264090/> [Viewed January 10, 2008], January 2008.
- [McK08c] Paul E. McKenney. What is RCU? part 2: Usage. Available: <http://lwn.net/Articles/263130/> [Viewed January 4, 2008], January 2008.
- [McK09a] Paul E. McKenney. Hunting heisenbugs. Available: <http://paulmck.livejournal.com/14639.html> [Viewed June 4, 2010], November 2009.

- [McK09b] Paul E. McKenney. RCU: The Bloatwatch edition. Available: <http://lwn.net/Articles/323929/> [Viewed March 20, 2009], March 2009.
- [McK09c] Paul E. McKenney. Re: [patch fyi] rcu: the bloatwatch edition. Available: <http://lkml.org/lkml/2009/1/14/449> [Viewed January 15, 2009], January 2009.
- [McK09d] Paul E. McKenney. Transactional memory everywhere? <http://paulmck.livejournal.com/tag/transactional%20memory%20everywhere>, September 2009.
- [McK10] Paul E. McKenney. Lockdep-RCU. <https://lwn.net/Articles/371986/>, February 2010.
- [McK11a] Paul E. McKenney. 3.0 and RCU: what went wrong. <http://lwn.net/Articles/453002/>, July 2011.
- [McK11b] Paul E. McKenney. Concurrent code and expensive instructions. Available: <http://lwn.net/Articles/423994> [Viewed January 28, 2011], January 2011.
- [McK11c] Paul E. McKenney. Validating memory barriers and atomic instructions. <http://lwn.net/Articles/470681/>, December 2011.
- [McK11d] Paul E. McKenney. Verifying parallel software: Can theory meet practice? <http://www.rdrop.com/users/paulmck/scalability/paper/VericoTheoryPractice.2011.01.28a.pdf>, January 2011.
- [McK12a] Paul E. McKenney. *Is Parallel Programming Hard, And, If So, What Can You Do About It?* kernel.org, Corvallis, OR, USA, 2012.
- [McK12b] Paul E. McKenney. Making RCU safe for battery-powered devices. Available: <http://www.rdrop.com/users/paulmck/RCU/RCUdynticks.2012.02.15b.pdf> [Viewed March 1, 2012], February 2012.
- [McK12c] Paul E. McKenney. Retrofitted parallelism considered grossly sub-optimal. In *4<sup>th</sup> USENIX Workshop on Hot Topics on Parallelism*, page 7, Berkeley, CA, USA, June 2012.
- [McK12d] Paul E. McKenney. Signed overflow optimization hazards in the kernel. <http://lwn.net/Articles/511259/>, August 2012.
- [McK13] Paul E. McKenney. Structured deferral: synchronization via procrastination. *Commun. ACM*, 56(7):40–49, July 2013.
- [MCM02] Paul E. McKenney, Kevin A. Closson, and Raghupathi Malige. Lingering locks with fairness control for multi-node computer systems. Technical Report US Patent 6,480,918, US Patent and Trademark Office, Washington, DC, November 2002.

- [MCS91] John M. Mellor-Crummey and Michael L. Scott. Algorithms for scalable synchronization on shared-memory multiprocessors. *Transactions of Computer Systems*, 9(1):21–65, February 1991.
- [MD92] Paul E. McKenney and Ken F. Dove. Efficient demultiplexing of incoming tcp packets. In *SIGCOMM '92, Proceedings of the Conference on Communications Architecture & Protocols*, pages 269–279, Baltimore, MD, August 1992. Association for Computing Machinery.
- [MDJ13a] Paul E. McKenney, Mathieu Desnoyers, and Lai Jiangshan. Urcu-protected hash tables. <http://lwn.net/Articles/573431/>, November 2013.
- [MDJ13b] Paul E. McKenney, Mathieu Desnoyers, and Lai Jiangshan. Urcu-protected queues and stacks. <https://lwn.net/Articles/573433/>, November 2013.
- [Mel06] Melbourne School of Engineering. CSIRAC. Available: <http://www.csse.unimelb.edu.au/dept/about/csirac/> [Viewed: December 7, 2008], 2006.
- [MER13] Paul E. McKenney, Dietmar Eggemann, and Robin Randhawa. Improving energy efficiency on asymmetric multiprocessing systems. <https://www.usenix.org/system/files/hotpar13-poster8-mckenney.pdf>, June 2013.
- [Met99] Panagiotis Takis Metaxas. Fast dithering on a data-parallel computer. In *Proceedings of the IASTED International Conference on Parallel and Distributed Computing and Systems*, pages 570–576, Cambridge, MA, USA, 1999. IASTED.
- [MG92] Paul E. McKenney and Gary Graunke. Efficient buffer allocation on shared-memory multiprocessors. In *IEEE Workshop on the Architecture and Implementation of High Performance Communication Subsystems*, pages 194–199, Tucson, AZ, February 1992. The Institute of Electrical and Electronics Engineers, Inc.
- [MGM<sup>+</sup>09] Paul E. McKenney, Manish Gupta, Maged M. Michael, Phil Howard, Joshua Triplett, and Jonathan Walpole. Is parallel programming hard, and if so, why? Technical Report TR-09-02, Portland State University, Portland, OR, USA, February 2009. Available: <http://www.cs.pdx.edu/pdfs/tr0902.pdf> [Viewed February 19, 2009].
- [Mic03] Maged M. Michael. Cas-based lock-free algorithm for shared dequeues. In Harald Kosch, László Böszörményi, and Hermann Hellwagner, editors, *Euro-Par*, volume 2790 of *Lecture Notes in Computer Science*, pages 651–660. Springer, 2003.
- [Mic04] Maged M. Michael. Hazard pointers: Safe memory reclamation for lock-free objects. *IEEE Transactions on Parallel and Distributed Systems*, 15(6):491–504, June 2004.

- [Mil06] David S. Miller. Re: [PATCH, RFC] RCU : OOM avoidance and lower latency. Available: <https://lkml.org/lkml/2006/1/7/22> [Viewed February 29, 2012], January 2006.
- [MK88] Marshall Kirk McKusick and Michael J. Karels. Design of a general purpose memory allocator for the 4.3BSD UNIX kernel. In *USENIX Conference Proceedings*, Berkeley CA, June 1988.
- [MLH94] Peter Magnusson, Anders Landin, and Erik Hagersten. Efficient software synchronization on large cache coherent multiprocessors. Technical Report T94:07, Swedish Institute of Computer Science, Kista, Sweden, February 1994.
- [MM00] Ingo Molnar and David S. Miller. brlock. Available: [http://www.tm.kernel.org/pub/linux/kernel/v2.3/patch-html/patch-2.3.49/linux\\_include\\_linux\\_brlock.h.html](http://www.tm.kernel.org/pub/linux/kernel/v2.3/patch-html/patch-2.3.49/linux_include_linux_brlock.h.html) [Viewed September 3, 2004], March 2000.
- [MMTW10] Paul E. McKenney, Maged M. Michael, Josh Triplett, and Jonathan Walpole. Why the grass may not be greener on the other side: a comparison of locking vs. transactional memory. *ACM Operating Systems Review*, 44(3), July 2010.
- [MMW07] Paul E. McKenney, Maged Michael, and Jonathan Walpole. Why the grass may not be greener on the other side: A comparison of locking vs. transactional memory. In *Programming Languages and Operating Systems*, pages 1–5, New York, NY, USA, October 2007. ACM SIGOPS.
- [Mol05] Ingo Molnar. Index of /pub/linux/kernel/projects/rt. Available: <http://www.kernel.org/pub/linux/kernel/projects/rt/> [Viewed February 15, 2005], February 2005.
- [Mol06] Ingo Molnar. Lightweight robust futexes. Available: <http://lxr.linux.no/#linux+v2.6.39/Documentation/robust-futexes.txt> [Viewed May 22, 2011], March 2006.
- [Moo03] Gordon Moore. No exponential is forever—but we can delay forever. In *IBM Academy of Technology 2003 Annual Meeting*, San Francisco, CA, October 2003.
- [Mor04] James Morris. Recent developments in SELinux kernel performance. Available: [http://www.livejournal.com/users/james\\_morris/2153.html](http://www.livejournal.com/users/james_morris/2153.html) [Viewed December 10, 2004], December 2004.
- [MOZ09] Nicholas Mc Guire, Peter Odhiambo Okech, and Qingguo Zhou. Analysis of inherent randomness of the linux kernel. In *Eleventh Real Time Linux Workshop*, Dresden, Germany, September 2009.
- [MPA<sup>+</sup>06] Paul E. McKenney, Chris Purcell, Algae, Ben Schumin, Gaius Cornelius, Qwertyus, Neil Conway, Sbw, Blainster, Canis Rufus, Zoicon5, Anome, and Hal Eisen. Read-copy update. <http://en.wikipedia.org/wiki/Read-copy-update>, July 2006.

- [MPI08] MPI Forum. Message passing interface forum. Available: <http://www.mpi-forum.org/> [Viewed September 9, 2008], September 2008.
- [MR08] Paul E. McKenney and Steven Rostedt. Integrating and validating dynticks and preemptable rcu. Available: <http://lwn.net/Articles/279077/> [Viewed April 24, 2008], April 2008.
- [MS93] Paul E. McKenney and Jack Slingwine. Efficient kernel memory allocation on shared-memory multiprocessors. In *USENIX Conference Proceedings*, pages 295–306, Berkeley CA, February 1993. USENIX Association. Available: <http://www.rdrop.com/users/paulmck/scalability/paper/mpalloc.pdf> [Viewed January 30, 2005].
- [MS96] M.M Michael and M. L. Scott. Simple, fast, and practical non-blocking and blocking concurrent queue algorithms. In *Proc of the Fifteenth ACM Symposium on Principles of Distributed Computing*, pages 267–275, May 1996. Available: <http://www.research.ibm.com/people/m/michael/podc-1996.pdf> [Viewed January 26, 2009].
- [MS98a] Paul E. McKenney and John D. Slingwine. Read-copy update: Using execution history to solve concurrency problems. In *Parallel and Distributed Computing and Systems*, pages 509–518, Las Vegas, NV, October 1998.
- [MS98b] Maged M. Michael and Michael L. Scott. Nonblocking algorithms and preemption-safe locking on multiprogrammed shared memory multiprocessors. *J. Parallel Distrib. Comput.*, 51(1):1–26, 1998.
- [MS05] Paul E. McKenney and Dipankar Sarma. Towards hard realtime response from the Linux kernel on SMP hardware. In *linux.conf.au 2005*, Canberra, Australia, April 2005. Available: <http://www.rdrop.com/users/paulmck/RCU/realtimeRCU.2005.04.23a.pdf> [Viewed May 13, 2005].
- [MS08] MySQL AB and Sun Microsystems. MySQL Downloads. Available: <http://dev.mysql.com/downloads/> [Viewed November 26, 2008], November 2008.
- [MS09] Paul E. McKenney and Raul Silvera. Example power implementation for c/c++ memory model. Available: <http://www.rdrop.com/users/paulmck/scalability/paper/N2745r.2009.02.27a.html> [Viewed: April 5, 2009], February 2009.
- [MS12] Alexander Matveev and Nir Shavit. Towards a fully pessimistic STM model. In *TRANSACT 2012*. ACM SIGPLAN, February 2012.
- [MSK01] Paul E. McKenney, Jack Slingwine, and Phil Krueger. Experience with an efficient parallel kernel memory allocator. *Software – Practice and Experience*, 31(3):235–257, March 2001.
- [MSM05] Timothy G. Mattson, Beverly A. Sanders, and Berna L. Massingill. *Patterns for Parallel Programming*. Addison Wesley, Boston, MA, USA, 2005.

- [MSMB06] Paul E. McKenney, Dipankar Sarma, Ingo Molnar, and Suparna Bhattacharya. Extending RCU for realtime and embedded workloads. In *Ottawa Linux Symposium*, pages v2 123–138, July 2006. Available: [http://www.linuxsymposium.org/2006/view\\_abstract.php?content\\_key=184](http://www.linuxsymposium.org/2006/view_abstract.php?content_key=184) <http://www.rdrop.com/users/paulmck/RCU/OLSrtRCU.2006.08.11a.pdf> [Viewed January 1, 2007].
- [MSS04] Paul E. McKenney, Dipankar Sarma, and Maneesh Soni. Scaling dcache with RCU. *Linux Journal*, 1(118):38–46, January 2004.
- [MT01] Jose F. Martinez and Josep Torrellas. Speculative locks for concurrent execution of critical sections in shared-memory multiprocessors. In *Workshop on Memory Performance Issues, International Symposium on Computer Architecture*, Gothenburg, Sweden, June 2001. Available: [http://iacoma.cs.uiuc.edu/iacoma-papers/wmpi\\_locks.pdf](http://iacoma.cs.uiuc.edu/iacoma-papers/wmpi_locks.pdf) [Viewed June 23, 2004].
- [MT02] Jose F. Martinez and Josep Torrellas. Speculative synchronization: Applying thread-level speculation to explicitly parallel applications. In *Proceedings of the 10<sup>th</sup> International Conference on Architectural Support for Programming Languages and Operating Systems*, pages 18–29, San Jose, CA, October 2002.
- [Mud00] Trevor Mudge. POWER: A first-class architectural design constraint. *IEEE Computer*, 33(4):52–58, April 2000.
- [Mus04] Museum Victoria Australia. CSIRAC: Australia’s first computer. Available: <http://museumvictoria.com.au/CSIRAC/> [Viewed: December 7, 2008], 2004.
- [MW07] Paul E. McKenney and Jonathan Walpole. What is RCU, fundamentally? Available: <http://lwn.net/Articles/262464/> [Viewed December 27, 2007], December 2007.
- [MW08] Paul E. McKenney and Jonathan Walpole. Introducing technology into the Linux kernel: a case study. *SIGOPS Oper. Syst. Rev.*, 42(5):4–17, 2008.
- [Mye79] Glenford J. Myers. *The Art of Software Testing*. Wiley, 1979.
- [Nes06a] Oleg Nesterov. Re: [patch] cpufreq: mark cpufreq\_tsc() as core\_initcall\_sync. Available: <http://lkml.org/lkml/2006/11/19/69> [Viewed May 28, 2007], November 2006.
- [Nes06b] Oleg Nesterov. Re: [rfc, patch 1/2] qrcu: "quick" srcu implementation. Available: <http://lkml.org/lkml/2006/11/29/330> [Viewed November 26, 2008], November 2006.
- [ON06] Robert Olsson and Stefan Nilsson. TRASH: A dynamic LC-trie and hash data structure. <http://www.nada.kth.se/~snilsson/publications/TRASH/trash.pdf>, August 2006.

- [ONH<sup>+</sup>96] Kunle Olukotun, Basem A. Nayfeh, Lance Hammond, Ken Wilson, and Kunyung Chang. The case for a single-chip multiprocessor. In *ASPLOS VII*, October 1996.
- [Ope97] Open Group. The single UNIX specification, version 2: Threads. Available: <http://www.opengroup.org/onlinepubs/007908799/xsh/threads.html> [Viewed September 19, 2008], 1997.
- [Pat10] David Patterson. The trouble with multicore. *IEEE Spectrum*, 2010:28–32, 52–53, July 2010.
- [Pig06] Nick Piggin. [patch 3/3] radix-tree: RCU lockless readside. Available: <http://lkml.org/lkml/2006/6/20/238> [Viewed March 25, 2008], June 2006.
- [Pos08] PostgreSQL Global Development Group. PostgreSQL. Available: <http://www.postgresql.org/> [Viewed November 26, 2008], November 2008.
- [Pug90] William Pugh. Concurrent maintenance of skip lists. Technical Report CS-TR-2222.1, Institute of Advanced Computer Science Studies, Department of Computer Science, University of Maryland, College Park, Maryland, June 1990.
- [Pul00] Geoffrey K. Pullum. How Dr. Seuss would prove the halting problem undecidable. *Mathematics Magazine*, 73(4):319–320, 2000. <http://www.lel.ed.ac.uk/~gpullum/loopsnoop.html>.
- [PW07] Donald E. Porter and Emmett Witchel. Lessons from large transactional systems. Personal communication <20071214220521.GA5721@olive-green.cs.utexas.edu>, December 2007.
- [Ray99] Eric S. Raymond. *The Cathedral and the Bazaar: Musings on Linux and Open Source by an Accidental Revolutionary*. O’Reilly, 1999.
- [RD12] Ravi Rajwar and Martin Dixon. Intel transactional synchronization extensions. Intel Developer Forum (IDF) 2012 ARCS004, September 2012.
- [Reg10] John Regehr. A guide to undefined behavior in c and c++, part 1. <http://blog.regehr.org/archives/213>, July 2010.
- [Rei07] James Reinders. *Intel Threading Building Blocks*. O’Reilly, Sebastopol, CA, USA, 2007.
- [RG01] Ravi Rajwar and James R. Goodman. Speculative lock elision: Enabling highly concurrent multithreaded execution. In *Proceedings of the 34<sup>th</sup> Annual ACM/IEEE International Symposium on Microarchitecture*, pages 294–305, Austin, TX, December 2001. The Institute of Electrical and Electronics Engineers, Inc.
- [RG02] Ravi Rajwar and James R. Goodman. Transactional lock-free execution of lock-based programs. In *Proceedings of the 10<sup>th</sup> International Conference on Architectural Support for Programming Languages and Operating Systems*, pages 5–17, Austin, TX, October 2002.

- [RH02] Zoran Radović and Erik Hagersten. Efficient synchronization for nonuniform communication architectures. In *Proceedings of the 2002 ACM/IEEE Conference on Supercomputing*, pages 1–13, Baltimore, Maryland, USA, November 2002. The Institute of Electrical and Electronics Engineers, Inc.
- [RH03] Zoran Radović and Erik Hagersten. Hierarchical backoff locks for nonuniform communication architectures. In *Proceedings of the Ninth International Symposium on High Performance Computer Architecture (HPCA-9)*, pages 241–252, Anaheim, California, USA, February 2003.
- [RHP<sup>+</sup>07] Christopher J. Rossbach, Owen S. Hofmann, Donald E. Porter, Hany E. Ramadan, Aditya Bhandari, and Emmett Witchel. TxLinux: Using and managing hardware transactional memory in an operating system. In *SOSP'07: Twenty-First ACM Symposium on Operating Systems Principles*. ACM SIGOPS, October 2007. Available: <http://www.sosp2007.org/papers/sosp056-rossbach.pdf> [Viewed October 21, 2007].
- [Ros06] Steven Rostedt. Lightweight PI-futexes. Available: <http://lxr.linux.no/#linux+v2.6.39/Documentation/pi-futex.txt> [Viewed May 22, 2011], June 2006.
- [Ros10a] Steven Rostedt. tracing: Harry Potter and the Deathly Macros. Available: <http://lwn.net/Articles/418710/> [Viewed: August 28, 2011], December 2010.
- [Ros10b] Steven Rostedt. Using the TRACE\_EVENT() macro (part 1). Available: <http://lwn.net/Articles/379903/> [Viewed: August 28, 2011], March 2010.
- [Ros10c] Steven Rostedt. Using the TRACE\_EVENT() macro (part 2). Available: <http://lwn.net/Articles/381064/> [Viewed: August 28, 2011], March 2010.
- [Ros10d] Steven Rostedt. Using the TRACE\_EVENT() macro (part 3). Available: <http://lwn.net/Articles/383362/> [Viewed: August 28, 2011], April 2010.
- [Ros11] Steven Rostedt. lockdep: How to read its cryptic output. <http://www.linuxplumbersconf.org/2011/ocw/sessions/153>, September 2011.
- [Rus03] Rusty Russell. Hanging out with smart people: or... things I learned being a kernel monkey. 2003 Ottawa Linux Symposium Keynote <http://ozlabs.org/~rusty/ols-2003-keynote/ols-keynote-2003.html>, July 2003.
- [SATG<sup>+</sup>09] Tatiana Shpeisman, Ali-Reza Adl-Tabatabai, Robert Geva, Yang Ni, and Adam Welc. Towards transactional memory semantics for c++. In *SPAA '09: Proceedings of the twenty-first annual symposium on Parallelism in algorithms and architectures*, pages 49–58, New York, NY, USA, 2009. ACM.



- [Sch35] E. Schrödinger. Die gegenwärtige Situation in der Quantenmechanik. *Naturwissenschaften*, 23:807–812; 823–828; 844–949, November 1935. English translation: <http://www.tuhh.de/rzt/rzt/it/QM/cat.html>.
- [Sch94] Curt Schimmel. *UNIX Systems for Modern Architectures: Symmetric Multiprocessing and Caching for Kernel Programmers*. Addison-Wesley Longman Publishing Co., Inc., Boston, MA, USA, 1994.
- [Sco06] Michael Scott. *Programming Language Pragmatics*. Morgan Kaufmann, Burlington, MA, USA, 2006.
- [Sco13] Michael L. Scott. *Shared-Memory Synchronization*. Morgan & Claypool, San Rafael, CA, USA, 2013.
- [Sew] Peter Sewell. The semantics of multiprocessor programs. Available: <http://www.cl.cam.ac.uk/~pes20/weakmemory/> [Viewed: June 7, 2010].
- [Sha11] Nir Shavit. Data structures in the multicore age. *Commun. ACM*, 54(3):76–84, March 2011.
- [SHW11] Daniel J. Sorin, Mark D. Hill, and David A. Wood. *A Primer on Memory Consistency and Cache Coherence*. Synthesis Lectures on Computer Architecture. Morgan & Claypool, 2011.
- [SM04] Dipankar Sarma and Paul E. McKenney. Making RCU safe for deep sub-millisecond response realtime applications. In *Proceedings of the 2004 USENIX Annual Technical Conference (FREENIX Track)*, pages 182–191. USENIX Association, June 2004.
- [SMS08] Michael Spear, Maged Michael, and Michael Scott. Inevitability mechanisms for software transactional memory. In *3<sup>rd</sup> ACM SIGPLAN Workshop on Transactional Computing*, New York, NY, USA, February 2008. ACM. Available: [http://www.cs.rochester.edu/u/scott/papers/2008\\_TRANSACTION\\_inevitability.pdf](http://www.cs.rochester.edu/u/scott/papers/2008_TRANSACTION_inevitability.pdf) [Viewed January 10, 2009].
- [SPA94] SPARC International. *The SPARC Architecture Manual*, 1994.
- [Spi77] Keith R. Spitz. Tell which is which and you’ll be rich. Inscription on wall of dungeon, 1977.
- [Spr01] Manfred Spraul. Re: RFC: patch to allow lock-free traversal of lists with insertion. Available: <http://marc.theaimsgroup.com/?l=linux-kernel&m=100264675012867&w=2> [Viewed June 23, 2004], October 2001.
- [Spr08a] Manfred Spraul. Re: [RFC, PATCH] v4 scalable classic RCU implementation. Available: <http://lkml.org/lkml/2008/9/6/86> [Viewed December 8, 2008], September 2008.
- [Spr08b] Manfred Spraul. [RFC, PATCH] state machine based rcu. Available: <http://lkml.org/lkml/2008/8/21/336> [Viewed December 8, 2008], August 2008.

- [SR84] Z. Segall and L. Rudolf. Dynamic decentralized cache schemes for MIMD parallel processors. In *11<sup>th</sup> Annual International Symposium on Computer Architecture*, pages 340–347, June 1984.
- [SRL90] L. Sha, R. Rajkumar, and J. P. Lehoczky. Priority inheritance protocols: An approach to real-time synchronization. *IEEE Trans. Comput.*, 39(9):1175–1185, 1990.
- [SS94] Duane Szafron and Jonathan Schaeffer. Experimentally assessing the usability of parallel programming systems. In *IFIP WG10.3 Programming Environments for Massively Parallel Distributed Systems*, pages 19.1–19.7, 1994.
- [SS06] Ori Shalev and Nir Shavit. Split-ordered lists: Lock-free extensible hash tables. *J. ACM*, 53(3):379–405, May 2006.
- [SSHT93] Janice S. Stone, Harold S. Stone, Philip Heidelberger, and John Turek. Multiple reservations and the Oklahoma update. *IEEE Parallel and Distributed Technology Systems and Applications*, 1(4):58–71, November 1993.
- [SSRB00] Douglas C. Schmidt, Michael Stal, Hans Rohnert, and Frank Buschmann. *Pattern-Oriented Software Architecture Volume 2: Patterns for Concurrent and Networked Objects*. Wiley, Chichester, West Sussex, England, 2000.
- [SSVM02] S. Swaminathan, John Stultz, Jack Vogel, and Paul E. McKenney. Fairlocks – a high performance fair locking scheme. In *Proceedings of the 14<sup>th</sup> IASTED International Conference on Parallel and Distributed Computing and Systems*, pages 246–251, Cambridge, MA, USA, November 2002.
- [ST87] William E. Snaman and David W. Thiel. The VAX/VMS distributed lock manager. *Digital Technical Journal*, 5:29–44, September 1987.
- [ST95] Nir Shavit and Dan Touitou. Software transactional memory. In *Proceedings of the 14<sup>th</sup> Annual ACM Symposium on Principles of Distributed Computing*, pages 204–213, Ottawa, Ontario, Canada, August 1995.
- [Ste92] W. Richard Stevens. *Advanced Programming in the UNIX Environment*. Addison Wesley, 1992.
- [Sut08] Herb Sutter. Effective concurrency. Series in Dr. Dobbs Journal, 2008.
- [Sut13] Adrian Sutton. Concurrent programming with the Disruptor. [http://lca2013.linux.org.au/schedule/30168/view\\_talk](http://lca2013.linux.org.au/schedule/30168/view_talk), January 2013.
- [SW95] Richard L. Sites and Richard T. Witek. *Alpha AXP Architecture*. Digital Press, second edition, 1995.
- [The08] The Open MPI Project. MySQL Downloads. Available: <http://www.open-mpi.org/software/> [Viewed November 26, 2008], November 2008.
- [The11] The Valgrind Developers. Valgrind. <http://www.valgrind.org/>, November 2011.

- [The12] The OProfile Developers. Oprofile. <http://oprofile.sourceforge.net>, April 2012.
- [TMW11] Josh Triplett, Paul E. McKenney, and Jonathan Walpole. Resizable, scalable, concurrent hash tables via relativistic programming. In *Proceedings of the 2011 USENIX Annual Technical Conference*, pages 145–158, Portland, OR USA, June 2011. The USENIX Association.
- [Tor01] Linus Torvalds. Re: [Lse-tech] Re: RFC: patch to allow lock-free traversal of lists with insertion. Available: <http://lkml.org/lkml/2001/10/13/105> [Viewed August 21, 2004], October 2001.
- [Tor03a] Linus Torvalds. Linux 2.5.69. Available: <http://marc.theaimsgroup.com/?l=linux-kernel&m=105209603501299&w=2> [Viewed June 23, 2004], May 2003.
- [Tor03b] Linus Torvalds. Linux 2.5.70. Available: <http://marc.theaimsgroup.com/?l=linux-kernel&m=105400162802746&w=2> [Viewed June 23, 2004], May 2003.
- [Tor03c] Linus Torvalds. Linux 2.6. Available: <ftp://kernel.org/pub/linux/kernel/v2.6> [Viewed June 23, 2004], August 2003.
- [Tra01] Transaction Processing Performance Council. TPC. Available: <http://www.tpc.org/> [Viewed December 7, 2008], 2001.
- [Tre86] R. K. Treiber. Systems programming: Coping with parallelism. RJ 5118, April 1986.
- [TS93] Hiroaki Takada and Ken Sakamura. A bounded spin lock algorithm with preemption. Technical Report 93-02, University of Tokyo, Tokyo, Japan, 1993.
- [TS95] H. Takada and K. Sakamura. Real-time scalability of nested spin locks. In *Proceedings of the 2Nd International Workshop on Real-Time Computing Systems and Applications*, RTCSA '95, pages 160–, Washington, DC, USA, 1995. IEEE Computer Society.
- [Tur37] Alan M. Turing. On computable numbers, with an application to the entscheidungsproblem. In *Proceedings of the London Mathematical Society*, volume 42 of 2, pages 230–265, 1937.
- [Ung11] David Ungar. Everything you know (about parallel programming) is wrong!: A wild screed about the future. In *Proceedings of the 2011 Systems, Programming Languages and Applications: Software for Humanity (SPLASH) Conference*, pages ???–???, Portland, OR, USA, October 2011.
- [Uni10] University of Maryland. Parallel maze solving. <http://www.cs.umd.edu/class/fall2010/cmsc433/p3/>, November 2010.
- [UoC08] Berkeley University of California. BOINC: compute for science. Available: <http://boinc.berkeley.edu/> [Viewed January 31, 2008], October 2008.

- [VGS08] Haris Volos, Neelam Goyal, and Michael M. Swift. Pathological interaction of locks with transactional memory. In *3rd ACM SIGPLAN Workshop on Transactional Computing*, New York, NY, USA, February 2008. ACM. Available: [http://www.cs.wisc.edu/multifacet/papers/transact08\\_txlock.pdf](http://www.cs.wisc.edu/multifacet/papers/transact08_txlock.pdf) [Viewed September 7, 2009].
- [Vog09] Werner Vogels. Eventually consistent. *Commun. ACM*, 52:40–44, January 2009.
- [Wik08] Wikipedia. Zilog Z80. Available: <http://en.wikipedia.org/wiki/Z80> [Viewed: December 7, 2008], 2008.
- [Wik12] Wikipedia. Labyrinth. <http://en.wikipedia.org/wiki/Labyrinth>, January 2012.
- [Wil12] Anthony Williams. *C++ Concurrency in Action: Practical Multithreading*. Manning, Shelter Island, NY, USA, 2012.
- [WKS94] Robert W. Wisniewski, Leonidas Kontothanassis, and Michael L. Scott. Scalable spin locks for multiprogrammed systems. In *8<sup>th</sup> IEEE Int'l. Parallel Processing Symposium*, Cancun, Mexico, April 1994. The Institute of Electrical and Electronics Engineers, Inc.
- [WTS96] Cai-Dong Wang, Hiroaki Takada, and Ken Sakamura. Priority inheritance spin locks for multiprocessor real-time systems. In *Proceedings of the 2Nd International Workshop on Real-Time Computing Systems and Applications*, ISPAN '96, pages 70–76, Washington, DC, USA, 1996. IEEE Computer Society.
- [Xu10] Herbert Xu. bridge: Add core igmp snooping support. Available: <http://kerneltrap.com/mailarchive/linux-netdev/2010/2/26/6270589> [Viewed March 20, 2011], February 2010.
- [Yod04] Victor Yodaiken. Against priority inheritance. Available: <http://www.yodaiken.com/papers/inherit.pdf> [Viewed May 26, 2007], September 2004.

# Appendix H

## Credits

### H.1 Authors

### H.2 Reviewers

- Alan Stern (Section 14.2).
- Andi Kleen (Section D.2).
- Andrew Morton (Section D.2).
- Andy Whitcroft (Section 9.3.2, Section 9.3.4, Section D.2, Section D.4).
- Artem Bitvutskiy (Section 14.2, Appendix C).
- Dave Keck (Chapter C).
- David S. Horner (Section 12.7, Section D.2).
- Gautham Shenoy (Section 9.3.2, Section 9.3.4, Section D.2).
- Ingo Molnar (Section D.2).
- “jarkao2”, AKA LWN guest #41960 (Section 9.3.4).
- Jonathan Walpole (Section 9.3.4).
- Josh Triplett (Section 12, Section D.4, Section D.1, Section D.2).
- Lai Jiangshan (Section D.2).
- Manfred Spraul (Section D.2).
- Mathieu Desnoyers (Section D.2).
- Michael Factor (Section 16.2).
- Mike Fulton (Section 9.3.2).
- Nivedita Singhvi (Section D.4).

- Oleg Nesterov (Section D.4).
- Peter Zijlstra (Section 9.3.3, Section D.2).
- Richard Woodruff (Section C).
- Robert Bauer (Section D.4).
- Steve Rostedt (Section D.4).
- Suparna Bhattacharya (Section 12).
- Vara Prasad (Section 12.7).

Reviewers whose feedback took the extremely welcome form of a patch are credited in the git logs.

### **H.3 Machine Owners**

A great debt of thanks goes to Martin Bligh, who originated the Advanced Build and Test (ABAT) system at IBM's Linux Technology Center, as well as to Andy Whitcroft, Dustin Kirkland, and many others who extended this system.

Many thanks go also to a great number of machine owners:

- Andrew Theurer (Section 12.7, Section D.2).
- Andy Whitcroft (Section D.2).
- Anton Blanchard (Section D.2).
- Chris McDermott (Section 3.2.2).
- Darrick Wong (Section D.2).
- David "Shaggy" Kleikamp (Section D.2).
- Jon M. Tollefson (Section D.2).
- Jose R. Santos (Section D.2).
- Marvin Heffler (Numerous).
- Nathan Lynch (Section D.2).
- Nishanth Aravamudan (Section D.2).
- Tim Pepper (Section D.2).

## H.4 Original Publications

1. Section 2.4 (“What Makes Parallel Programming Hard?”) on page 16 originally appeared in a Portland State University Technical Report [MGM<sup>+</sup>09].
2. Section 6.5 (“Retrofitted Parallelism Considered Grossly Sub-Optimal”) on page 118 originally appeared in 4<sup>th</sup> USENIX Workshop on Hot Topics on Parallelism [McK12c].
3. Section 9.3.2 (“RCU Fundamentals”) on page 179 originally appeared in Linux Weekly News [MW07].
4. Section 9.3.3 (“RCU Usage”) on page 189 originally appeared in Linux Weekly News [McK08c].
5. Section 9.3.4 (“RCU Linux-Kernel API”) on page 202 originally appeared in Linux Weekly News [McK08b].
6. Appendix 12 (“Formal Verification”) on page 295 originally appeared in Linux Weekly News [McK07f, MR08, McK11c].
7. Appendix C.7 (“Memory-Barrier Instructions For Specific CPUs”) on page 465 originally appeared in Linux Journal [McK05a, McK05b].
8. Appendix D.1 (“Sleepable RCU Implementation”) on page 479 originally appeared in Linux Weekly News [McK06b].
9. Appendix D.2 (“Hierarchical RCU Overview”) on page 488 originally appeared in Linux Weekly News [McK08a].
10. Appendix D.4 (“Preemptible RCU”) on page 557 originally appeared in Linux Weekly News [McK07a].

## H.5 Figure Credits

1. Figure 3.1 (p 22) by Melissa McKenney.
2. Figure 3.2 (p 22) by Melissa Broussard.
3. Figure 3.3 (p 23) by Melissa McKenney.
4. Figure 3.4 (p 24) by Melissa McKenney.
5. Figure 3.5 (p 25) by Melissa Broussard.
6. Figure 3.6 (p 26) by Melissa Broussard.
7. Figure 3.7 (p 27) by Melissa McKenney.
8. Figure 3.8 (p 28) by Melissa McKenney.
9. Figure 3.10 (p 30) by Melissa Broussard.
10. Figure 5.5 (p 52) by Melissa Broussard.
11. Figure 6.1 (p 86) by Kornilios Kourtis.

12. Figure 6.2 (p 86) by Melissa Broussard.
13. Figure 6.3 (p 87) by Kornilios Kourtis.
14. Figure 6.4 (p 89) by Kornilios Kourtis.
15. Figure 6.18 (p 104) by Melissa Broussard.
16. Figure 6.20 (p 106) by Melissa Broussard.
17. Figure 6.21 (p 107) by Melissa Broussard.
18. Figure 7.1 (p 130) by Melissa Broussard.
19. Figure 7.2 (p 131) by Melissa Broussard.
20. Figure 10.18 (p 246) by Melissa Broussard.
21. Figure 10.19 (p 247) by Melissa Broussard.
22. Figure 11.1 (p 268) by Melissa McKenney.
23. Figure 11.2 (p 269) by Melissa McKenney.
24. Figure 11.3 (p 276) by Melissa Broussard.
25. Figure 11.7 (p 294) by Melissa McKenney.
26. Figure 14.2 (p 355) by Melissa Broussard.
27. Figure 14.6 (p 365) by David Howells.
28. Figure 14.7 (p 374) by David Howells.
29. Figure 14.8 (p 374) by David Howells.
30. Figure 14.9 (p 375) by David Howells.
31. Figure 14.10 (p 375) by David Howells.
32. Figure 14.11 (p 376) by David Howells.
33. Figure 14.12 (p 376) by David Howells.
34. Figure 14.13 (p 377) by David Howells.
35. Figure 14.14 (p 378) by David Howells.
36. Figure 14.15 (p 378) by David Howells.
37. Figure 14.16 (p 378) by David Howells.
38. Figure 14.17 (p 381) by David Howells.
39. Figure 14.18 (p 382) by David Howells.
40. Figure 15.2 (p 391) by Melissa McKenney.
41. Figure 16.1 (p 394) by Melissa McKenney.



42. Figure 16.2 (p 395) by Melissa Broussard.
43. Figure 16.3 (p 396) by Melissa Broussard.
44. Figure 16.4 (p 397) by Melissa Broussard.
45. Figure 16.8 (p 413) by Melissa McKenney.
46. Figure 16.9 (p 414) by Melissa McKenney.
47. Figure 16.10 (p 415) by Melissa McKenney.
48. Figure 16.11 (p 416) by Melissa McKenney.
49. Figure A.4 (p 437) by Melissa Broussard.
50. Figure C.12 (p 471) by Melissa McKenney.
51. Figure D.1 (p 480) by Melissa McKenney.
52. Figure F.3 (p 628) by Kornilios Kourtis.

## **H.6 Other Support**

We owe thanks to many CPU architects for patiently explaining the instruction- and memory-reordering features of their CPUs, particularly Wayne Cardoza, Ed Silha, Anton Blanchard, Tim Slegel, Juergen Probst, Ingo Adlung, and Ravi Arimilli. Wayne deserves special thanks for his patience in explaining Alpha's reordering of dependent loads, a lesson that Paul resisted quite strenuously!

Portions of this material are based upon work supported by the National Science Foundation under Grant No. CNS-0719851.